



US00D791240S

(12) **United States Design Patent** (10) **Patent No.:** **US D791,240 S**
Lemberger et al. (45) **Date of Patent:** **** Jul. 4, 2017**

(54) **ILLUMINATED SIGN**
(71) Applicant: **BOT HOME AUTOMATION, INC.**,
Santa Monica, CA (US)
(72) Inventors: **Elliott Lemberger**, Santa Monica, CA
(US); **James Siminoff**, Pacific
Palisades, CA (US)
(73) Assignee: **BOT Home Automation, Inc.**, Santa
Monica, CA (US)

D382,218 S * 8/1997 Hall D10/114.9
D397,364 S * 8/1998 Barrett D10/109.1
D399,260 S * 10/1998 Thimote D10/109.1
D407,987 S * 4/1999 Dittmore D10/109.1
D410,861 S * 6/1999 De Winter D10/109.1
D425,812 S * 5/2000 Bodo D10/113.4
D438,134 S * 2/2001 Sloven D10/109.1
D440,512 S * 4/2001 Mugleston D10/109.1
D446,379 S * 8/2001 Taylor D99/29
6,519,884 B1 * 2/2003 Duhamel G09F 7/00
40/606.19
D479,561 S * 9/2003 Meyer D20/22
(Continued)

(**) Term: **15 Years**

Primary Examiner — Mary Ann Calabrese
Assistant Examiner — Sloan Rozin

(21) Appl. No.: **29/563,578**

(74) *Attorney, Agent, or Firm* — White and Williams LLP

(22) Filed: **May 5, 2016**

(57) **CLAIM**

(51) **LOC (10) Cl.** **20-02**

The ornamental design for an illuminated sign, as shown and described.

(52) **U.S. Cl.**
USPC **D20/41**

DESCRIPTION

(58) **Field of Classification Search**
USPC D3/10, 207, 219, 318; D20/10, 22, 27,
D20/28, 41, 99; D10/109.1, 113.4
CPC G09F 1/00; G09F 1/02; G09F 2003/023;
G09F 2003/0261; G09F 2003/0264; G09F
7/00; G09F 3/206; G09F 2007/1807;
G09F 13/00; G09F 13/04; G09F
2013/0427; G09F 2013/0495; G09D 3/00
See application file for complete search history.

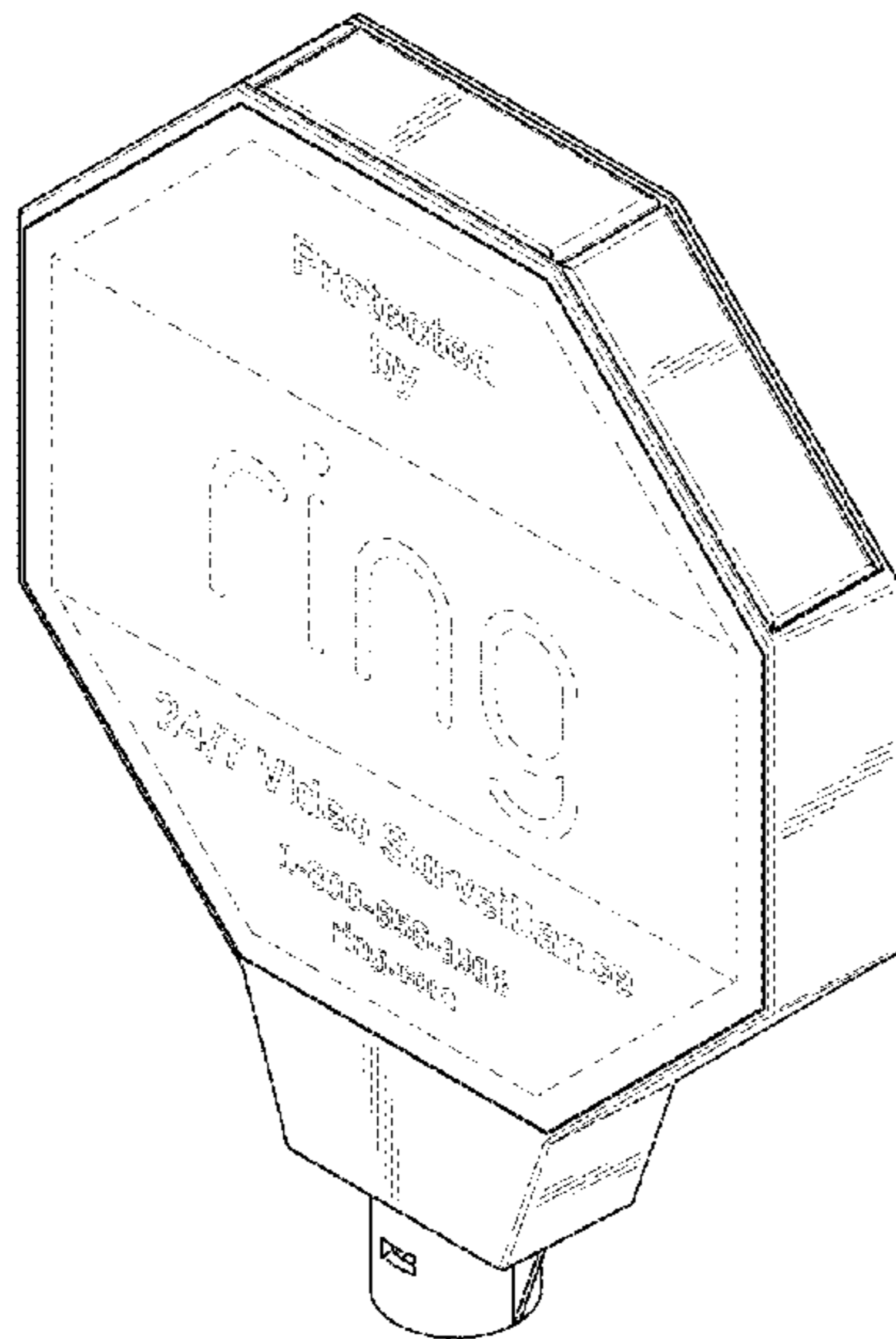
FIG. 1 is a front prospective view of the illuminated sign according to the present design;
FIG. 2 is a front elevational view of the illuminated sign of FIG. 1;
FIG. 3 is a rear elevational view of the illuminated sign of FIG. 1;
FIG. 4 is a right-side elevational view of the illuminated sign of FIG. 1, the left-side elevational view being a mirror image thereof;
FIG. 5 is a top plan view of the illuminated sign of FIG. 1;
FIG. 6 is a bottom plan view of the illuminated sign of FIG. 1; and,
FIG. 7 is a front perspective view of the illuminated sign of FIG. 1, showing the illuminated sign in a manner of use.
The broken line showing of elements on the illuminated sign illustrate portions of the article and form no part of the claimed design.

(56) **References Cited**

U.S. PATENT DOCUMENTS

D59,626 S * 11/1921 Dunlapp D10/109.1
D60,872 S * 4/1922 Minoff D10/109.1
3,102,352 A * 9/1963 White G09F 7/18
248/219.2
D213,907 S * 4/1969 Wootter D3/207
D307,213 S * 4/1990 Scungio D3/207
D315,695 S * 3/1991 DeCaro D10/109.1
D330,686 S * 11/1992 Campagna D10/114.9

1 Claim, 6 Drawing Sheets



(56)

References Cited

U.S. PATENT DOCUMENTS

D487,406 S *	3/2004	Anderson	D10/109.1
D498,162 S *	11/2004	Evans	D10/109.1
D561,260 S *	2/2008	Ferry	D20/19
D664,055 S *	7/2012	Call	D10/109.1
D754,014 S *	4/2016	Hart	D10/109.1
2014/0165437 A1 *	6/2014	Barker	G09F 7/00 40/607.01

* cited by examiner

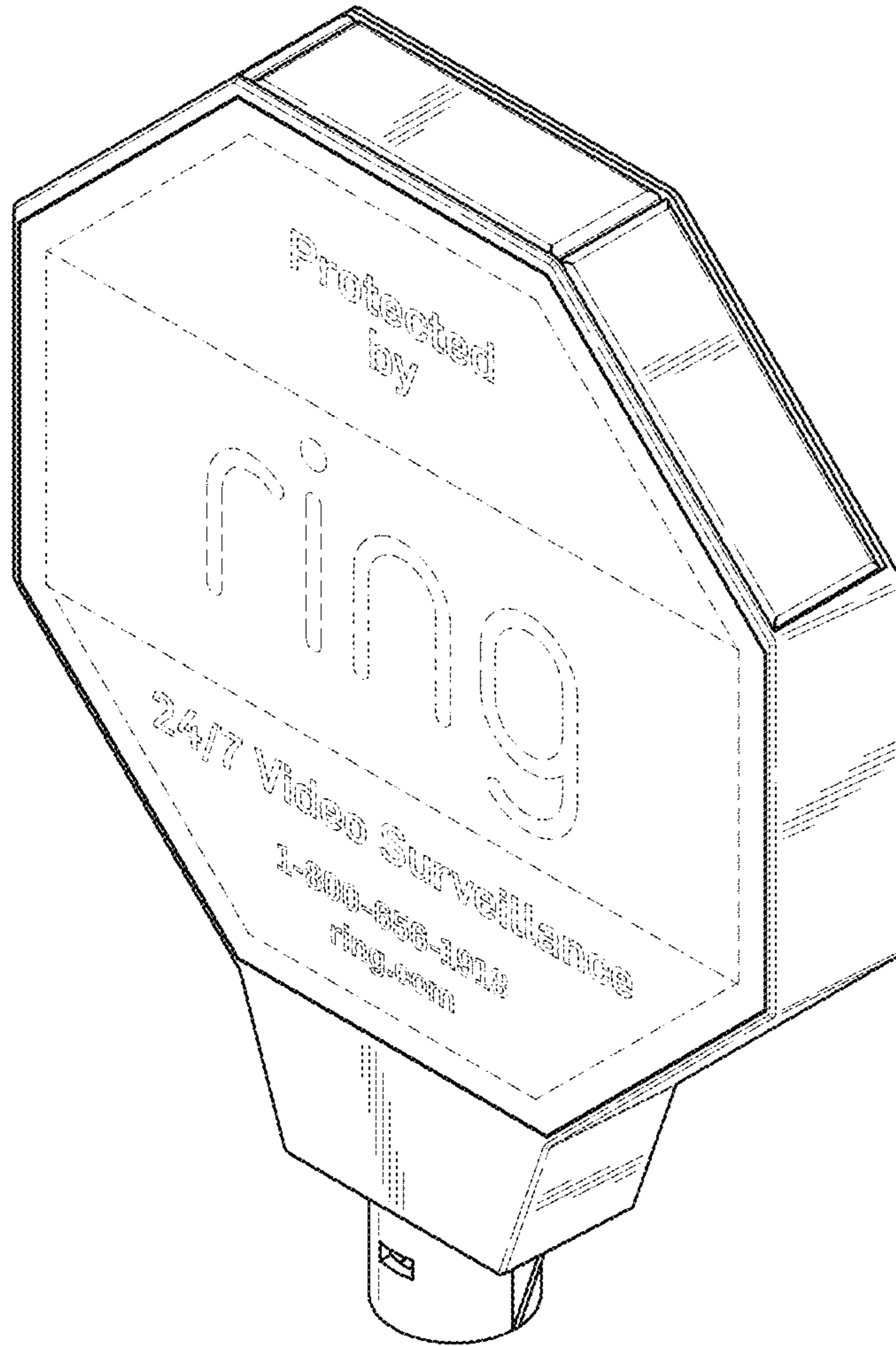


FIG. 1



FIG. 2

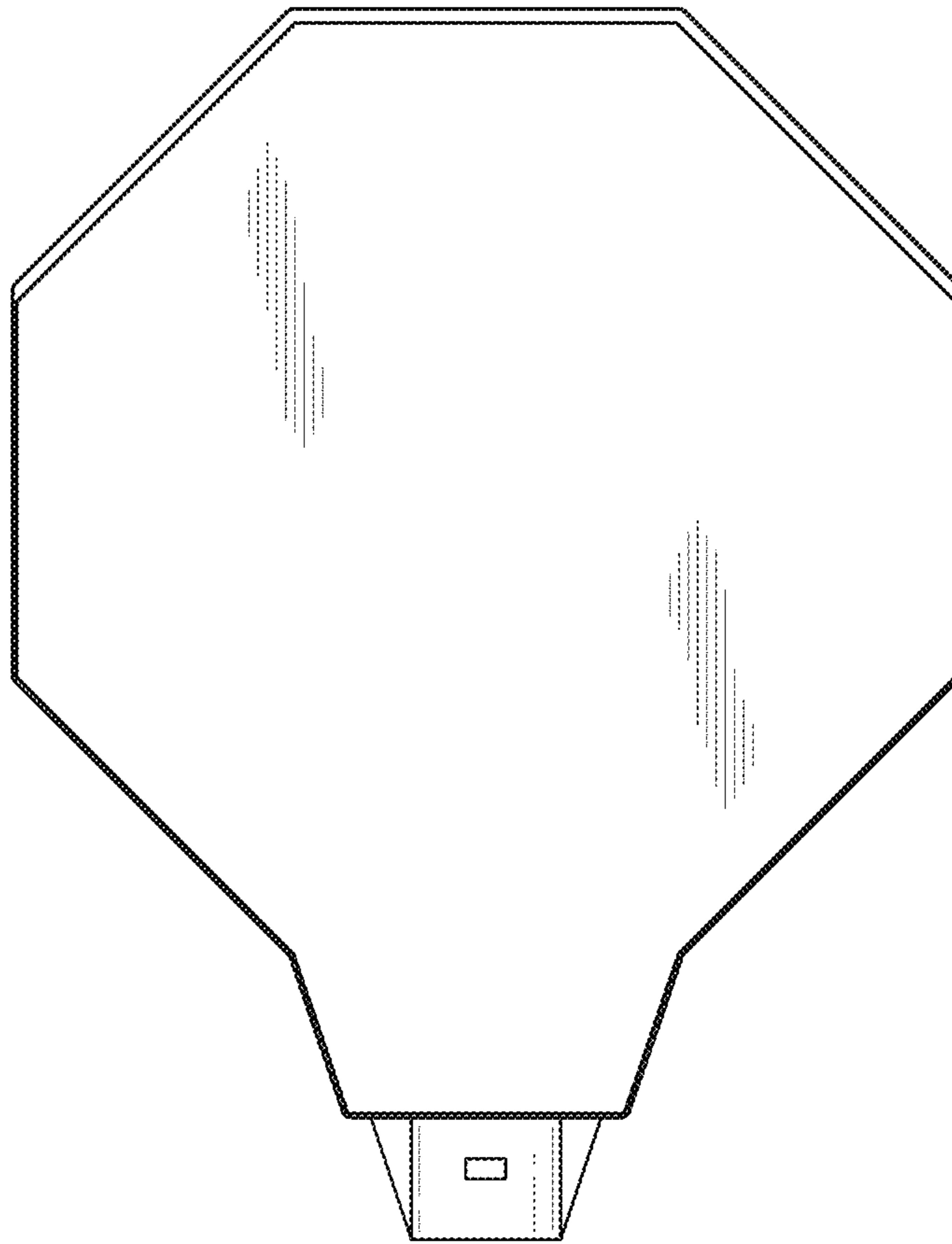


FIG. 3

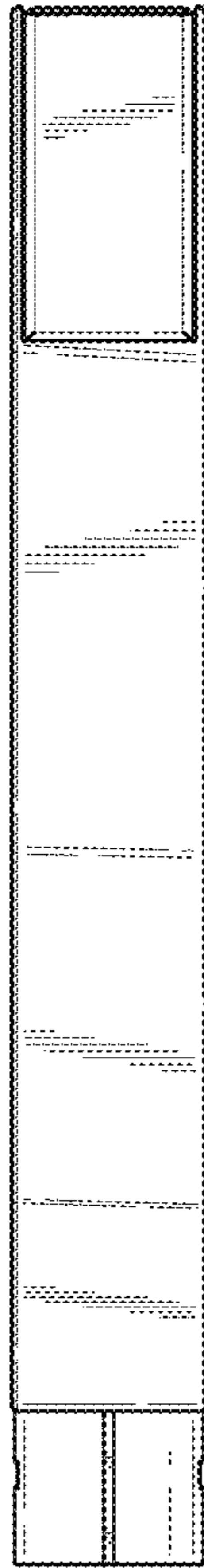


FIG. 4

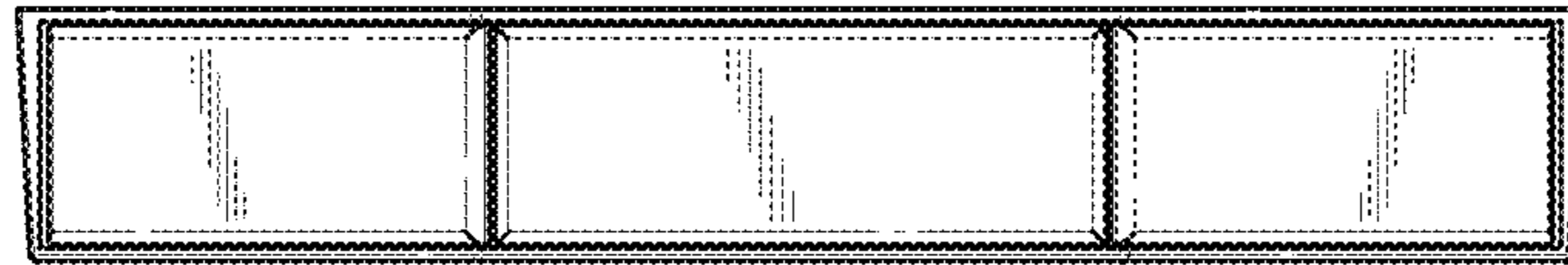


FIG. 5

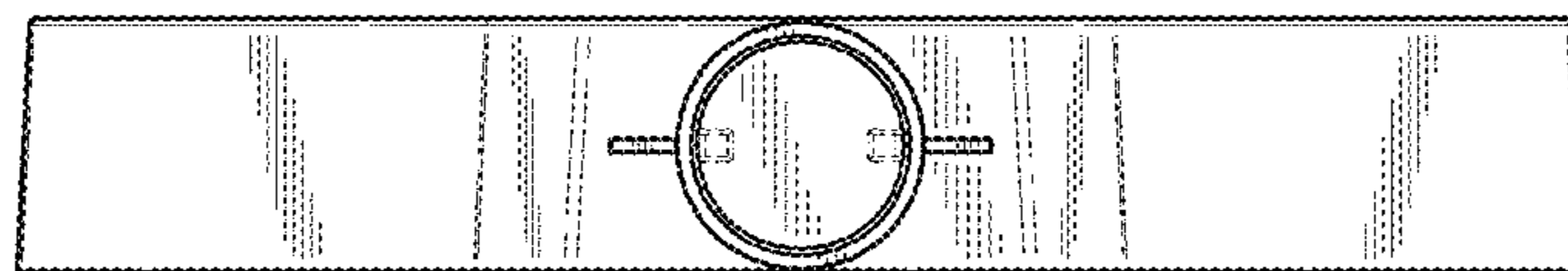


FIG. 6

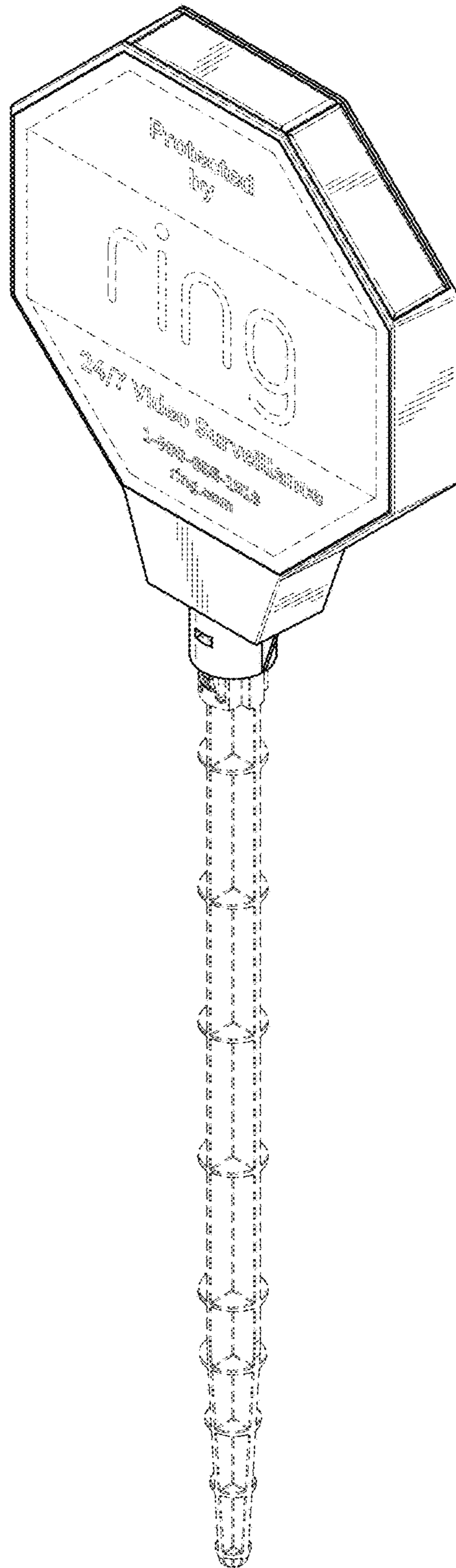


FIG. 7