



US00D791232S

(12) **United States Design Patent**  
**Terada**

(10) **Patent No.:** **US D791,232 S**  
(45) **Date of Patent:** **\*\* Jul. 4, 2017**

(54) **WRITING BOARD**  
(71) Applicants: **ITOKI CORPORATION**, Osaka-shi,  
Osaka (JP); **Inter Office Ltd.**, Tokyo  
(JP)  
(72) Inventor: **Naoki Terada**, Tokyo (JP)  
(73) Assignees: **ITOKI CORPORATION**, Osaka-shi,  
Osaka (JP); **Inter Office Ltd.**, Tokyo  
(JP)  
(\*\*) Term: **15 Years**  
(21) Appl. No.: **29/547,059**  
(22) Filed: **Dec. 1, 2015**

(30) **Foreign Application Priority Data**  
Jun. 2, 2015 (JP) ..... 2015-012215  
(51) **LOC (10) Cl.** ..... **19-06**  
(52) **U.S. Cl.**  
USPC ..... **D19/114**  
(58) **Field of Classification Search**  
USPC ..... D19/113, 114; D20/10, 19, 39, 40, 41,  
D20/42; D14/371, 373, 374  
CPC .. B43L 1/00; B43L 1/004; B43L 1/008; B43L  
1/10; B43L 1/12; B43L 5/00; G06F  
3/041; G06F 3/045; G06F 3/046; G09F  
15/00; G09F 15/0006; G09F 15/0012;  
G09F 15/0018; G09F 15/0056; G09F  
2007/1834; G09F 2007/1843; G09F  
2007/1847; G09F 7/04  
See application file for complete search history.

(56) **References Cited**  
U.S. PATENT DOCUMENTS  
1,674,716 A \* 6/1928 Craft ..... G09F 15/0056  
248/166  
2,844,897 A \* 7/1958 Vance, Jr. .... E01F 9/688  
248/166

3,041,032 A \* 6/1962 Wilcox ..... G03B 21/58  
248/170  
3,063,571 A \* 11/1962 Stempler ..... A47F 5/13  
211/182  
3,119,497 A \* 1/1964 Levy ..... A47F 7/24  
211/204  
3,303,938 A \* 2/1967 Solomon ..... A47F 7/24  
211/182  
3,336,682 A \* 8/1967 Genin ..... B43L 1/008  
40/618  
3,338,422 A \* 8/1967 Hickok ..... A63C 11/028  
211/204  
3,394,790 A \* 7/1968 Braun ..... A63C 11/007  
194/256  
D213,625 S \* 3/1969 Jensen ..... D19/113  
3,738,451 A \* 6/1973 Kirkpatrick ..... B25H 1/06  
182/155  
4,254,569 A \* 3/1981 Janik ..... G09F 15/0087  
40/606.15

(Continued)

*Primary Examiner* — Elizabeth Albert  
(74) *Attorney, Agent, or Firm* — Drinker Biddle & Reath  
LLP

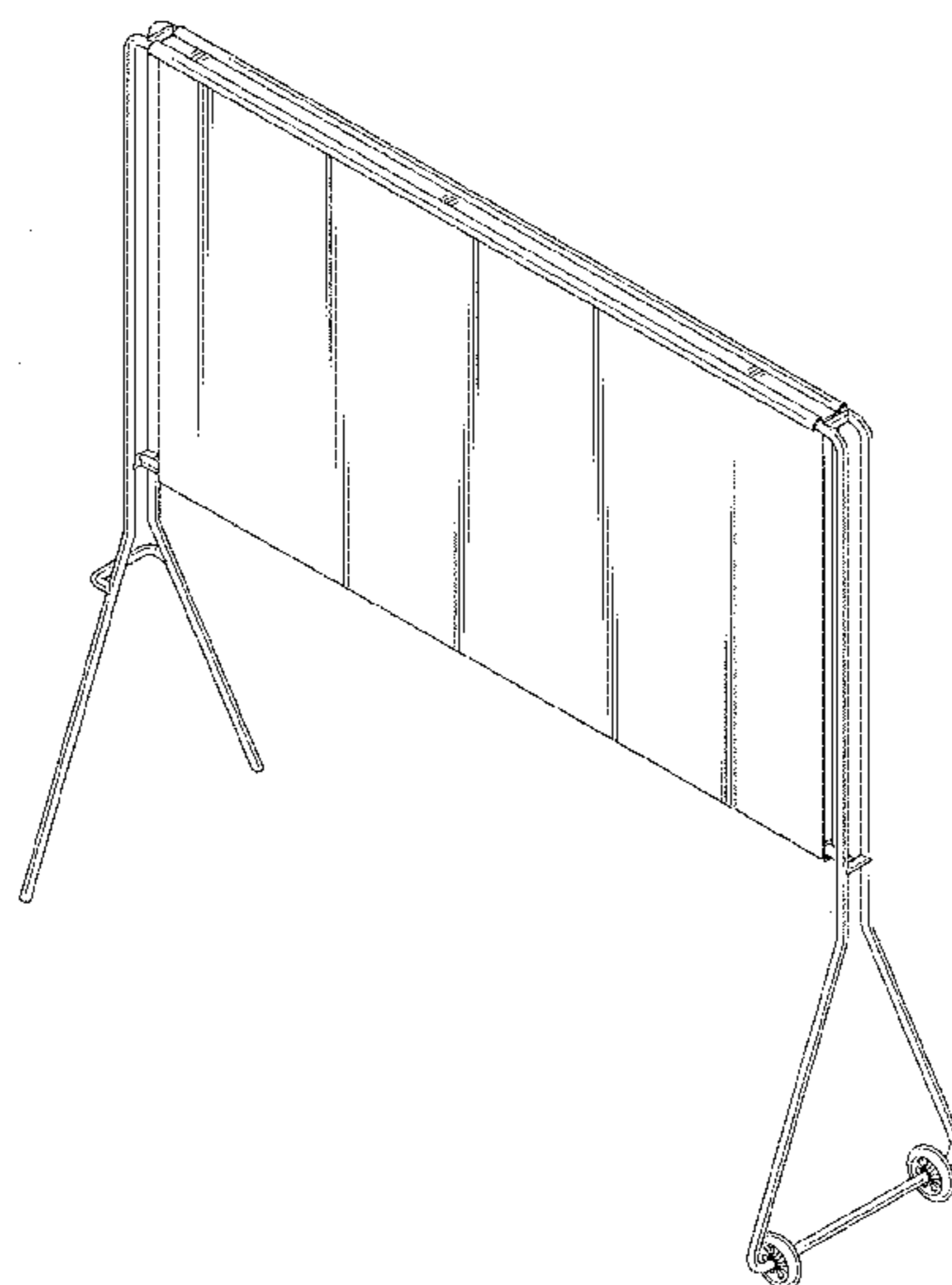
(57) **CLAIM**

The ornamental design for a writing board, as shown and  
described.

**DESCRIPTION**

FIG. 1 is a perspective view of the top, front and right side  
of a writing board showing my new design;  
FIG. 2 is a perspective view of the top, rear and left side  
thereof;  
FIG. 3 is a front view thereof;  
FIG. 4 is a left side view thereof;  
FIG. 5 is a right side view thereof;  
FIG. 6 is a top view thereof;  
FIG. 7 is a bottom view thereof; and,  
FIG. 8 is a cross sectional view at 8-8 in FIG. 6 thereof.

**1 Claim, 8 Drawing Sheets**



(56)

**References Cited**

U.S. PATENT DOCUMENTS

4,507,888 A \* 4/1985 Robinson ..... G09F 7/04  
40/447  
D300,150 S \* 3/1989 Ishii ..... D18/36  
4,836,332 A \* 6/1989 Henson ..... B25H 1/06  
182/155  
5,095,642 A \* 3/1992 George ..... G09F 15/0062  
40/610  
D376,821 S \* 12/1996 Hathaway ..... D20/41  
5,743,418 A \* 4/1998 Ahrens ..... A47B 81/00  
211/182  
D433,713 S \* 11/2000 Olivetti ..... D20/10  
D671,170 S \* 11/2012 Udagawa ..... D19/114  
D716,244 S \* 10/2014 Kim ..... D14/126  
D719,119 S \* 12/2014 Park ..... D14/126  
9,148,614 B2 \* 9/2015 Szolyga ..... F16M 13/02

\* cited by examiner

Fig. 1

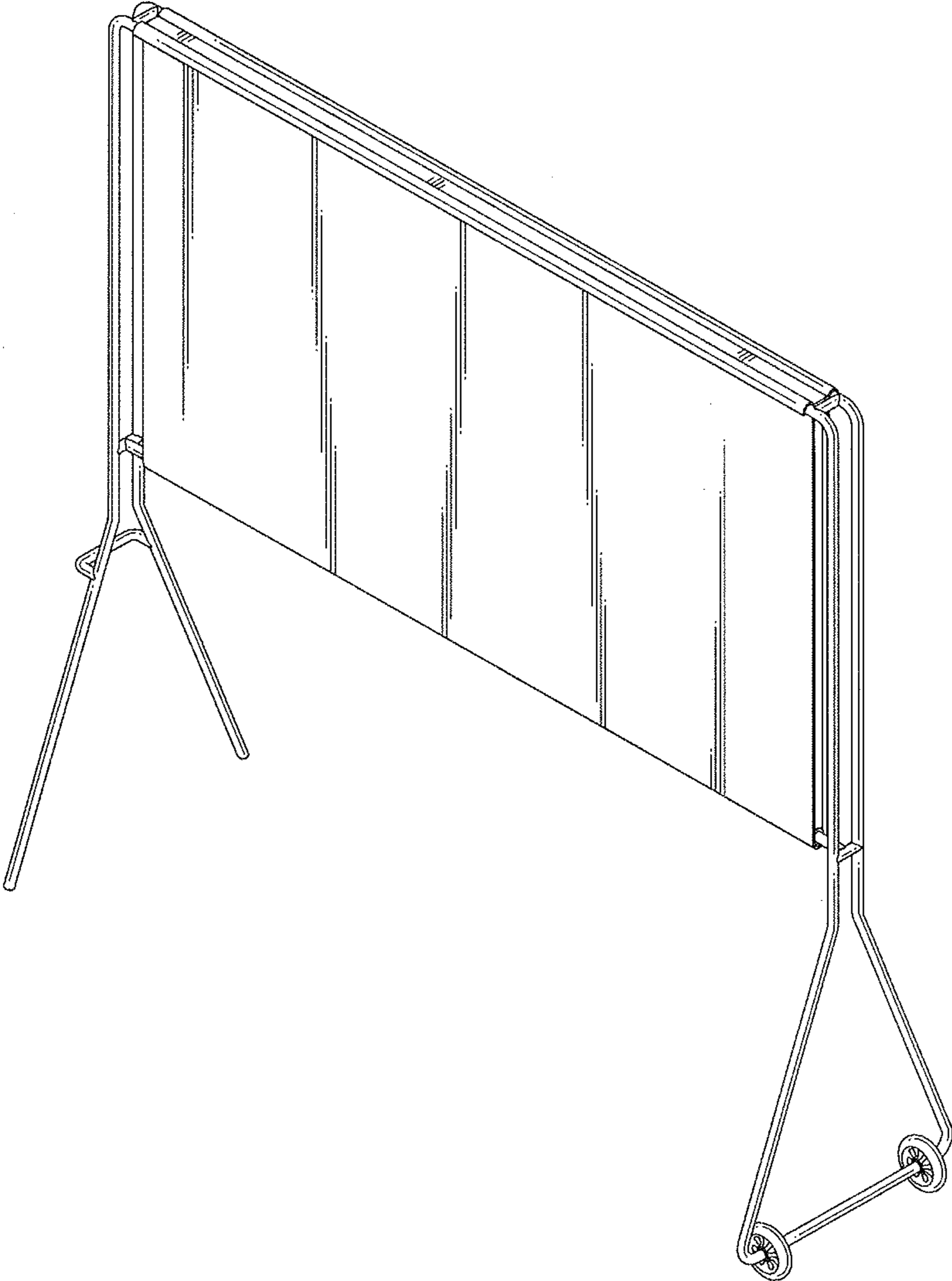


Fig. 2

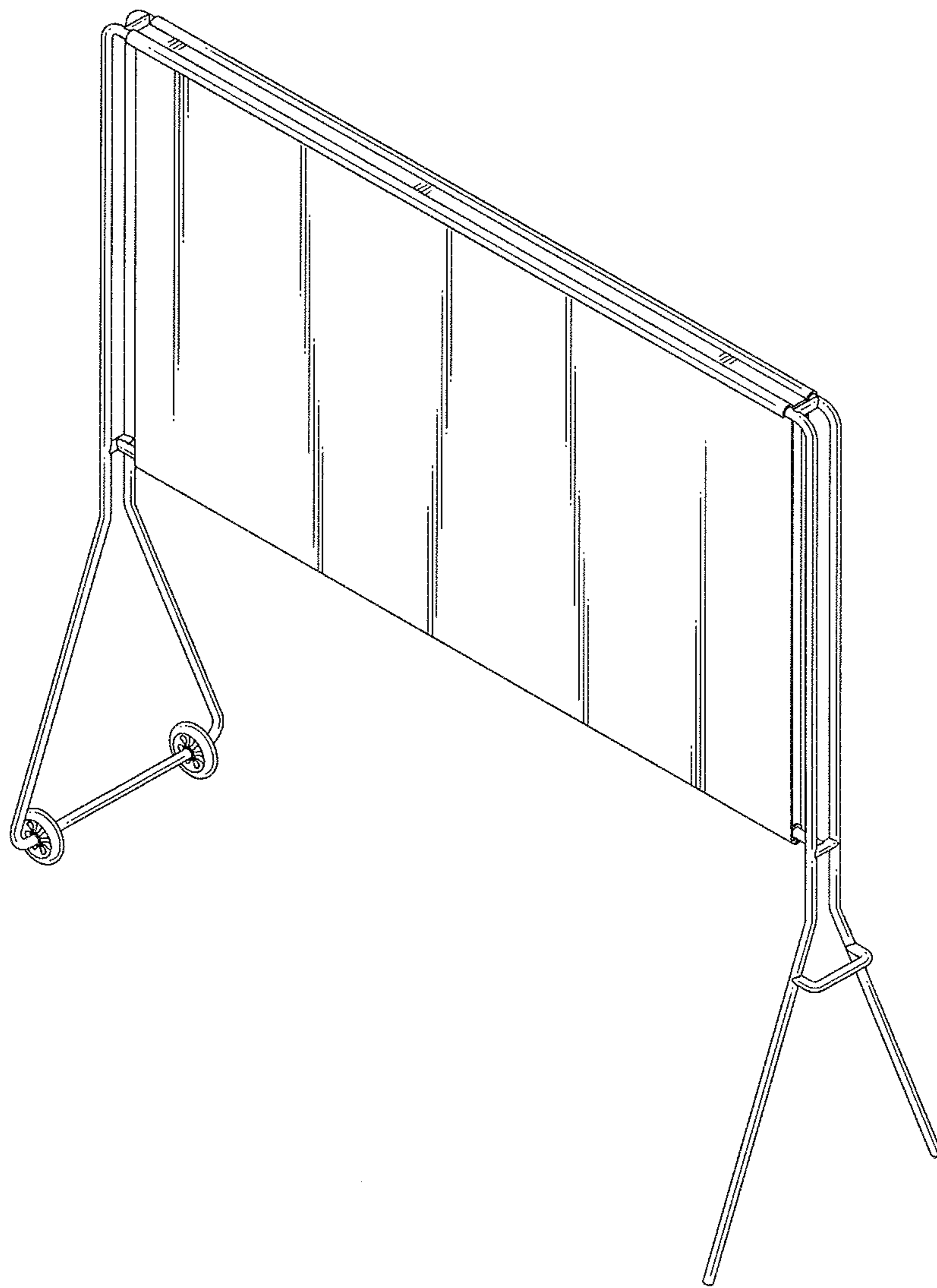


Fig. 3

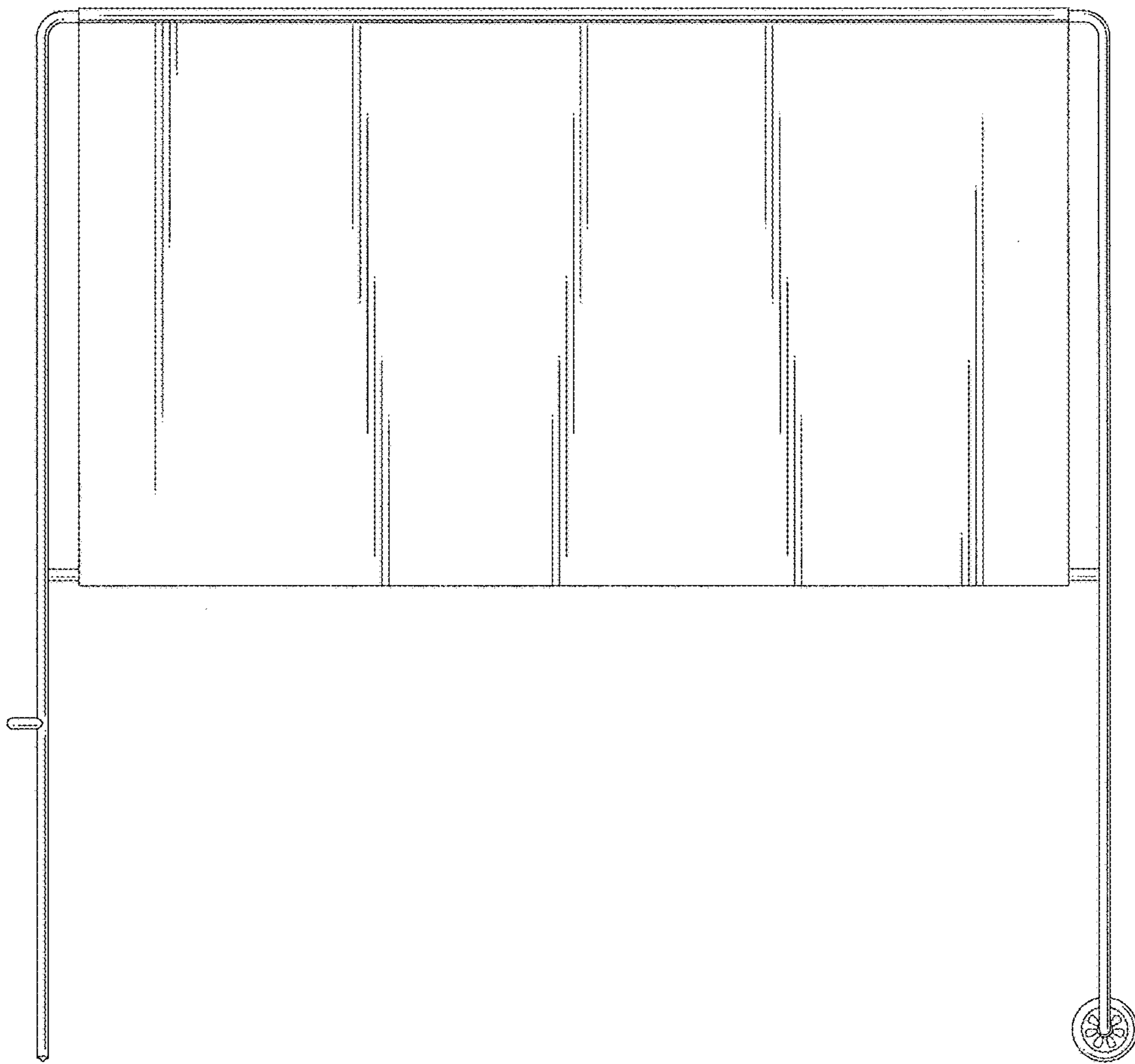


Fig. 4

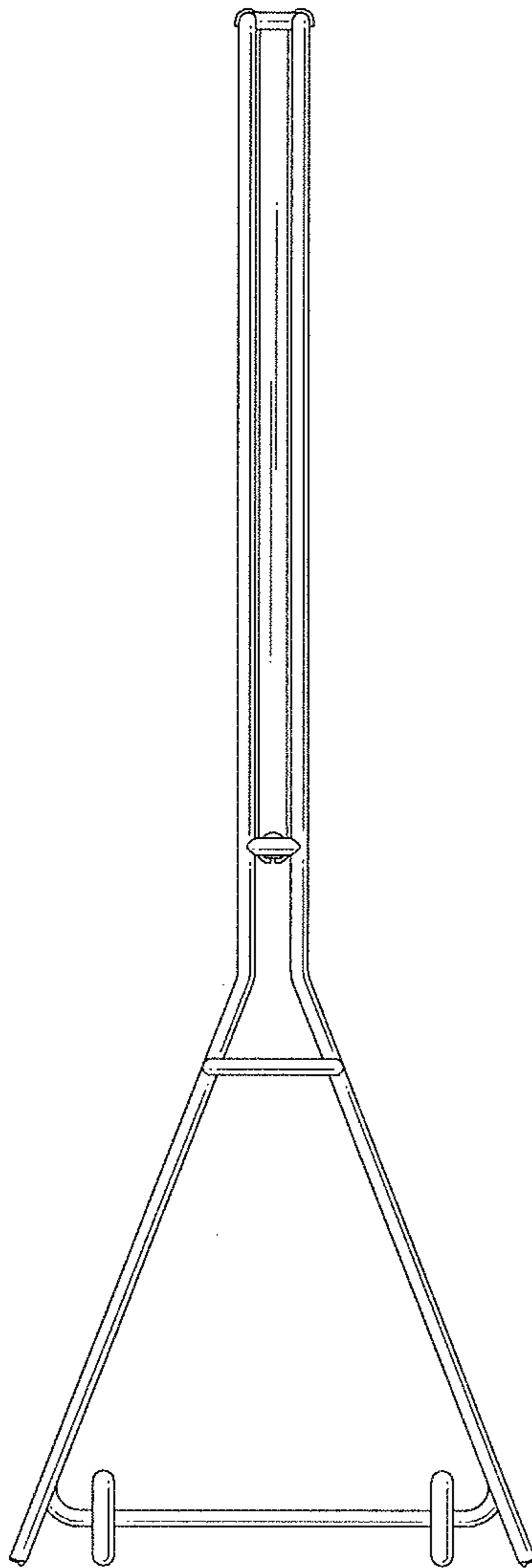


Fig. 5

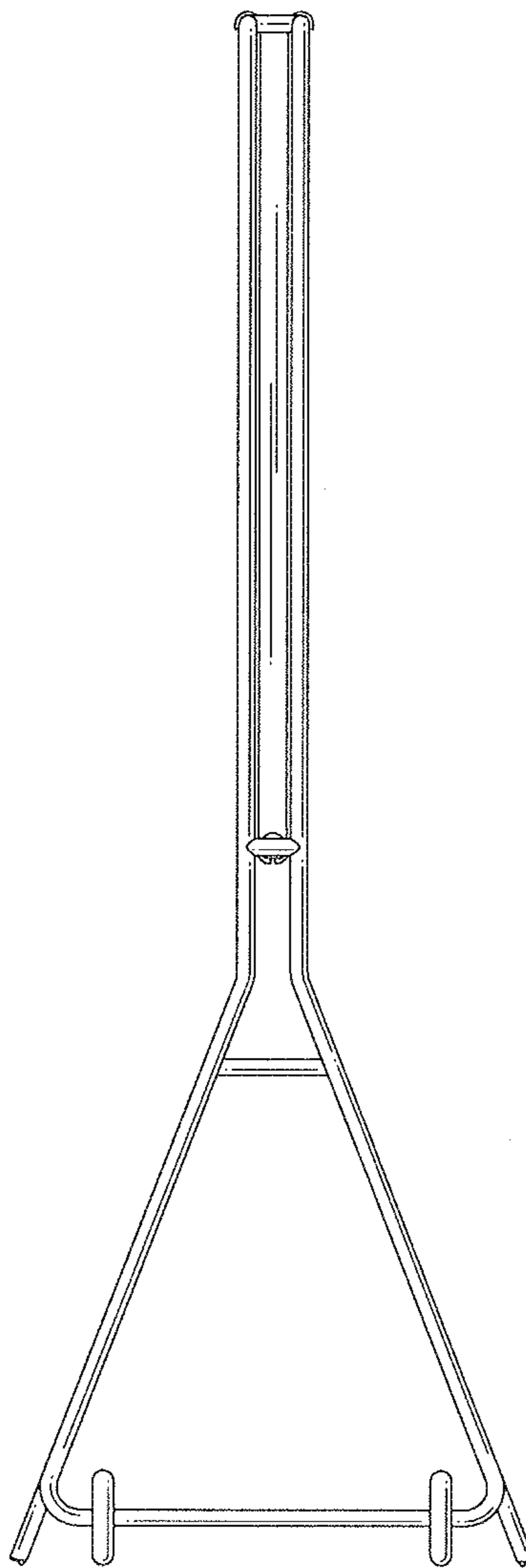


Fig. 6

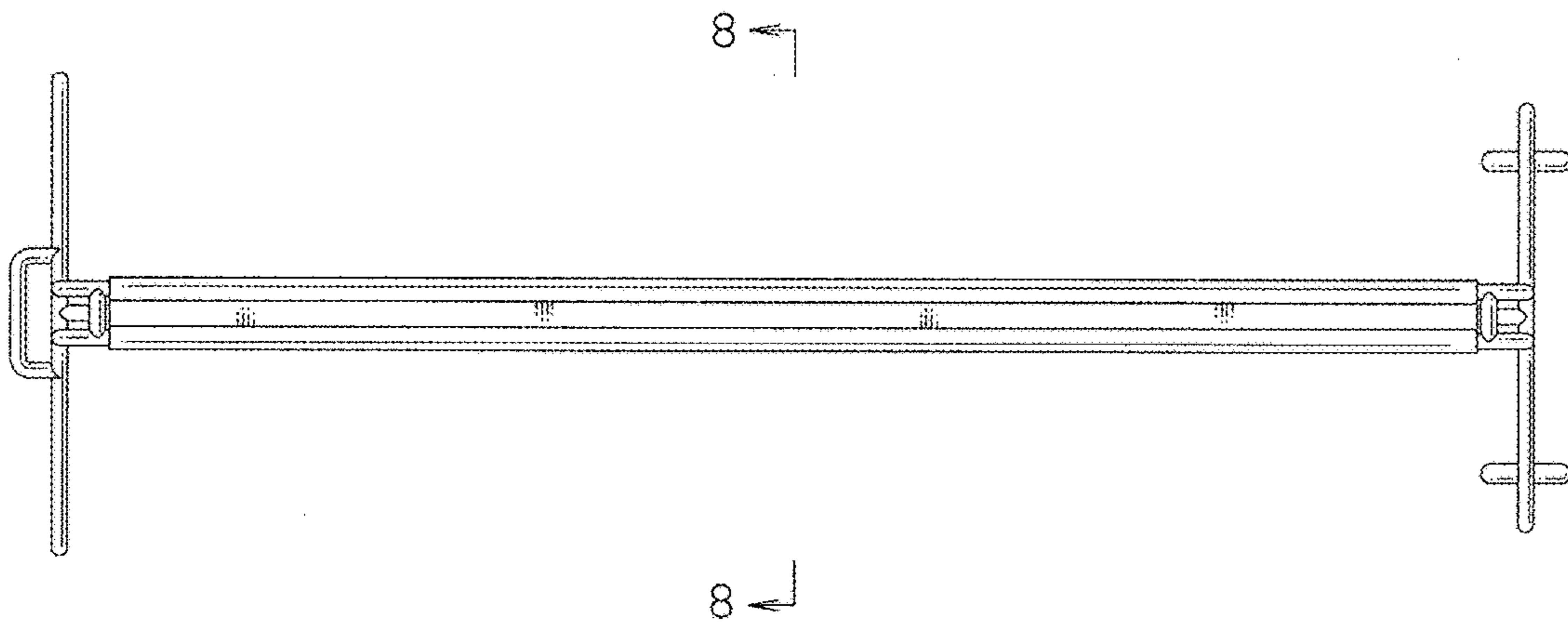




Fig. 7

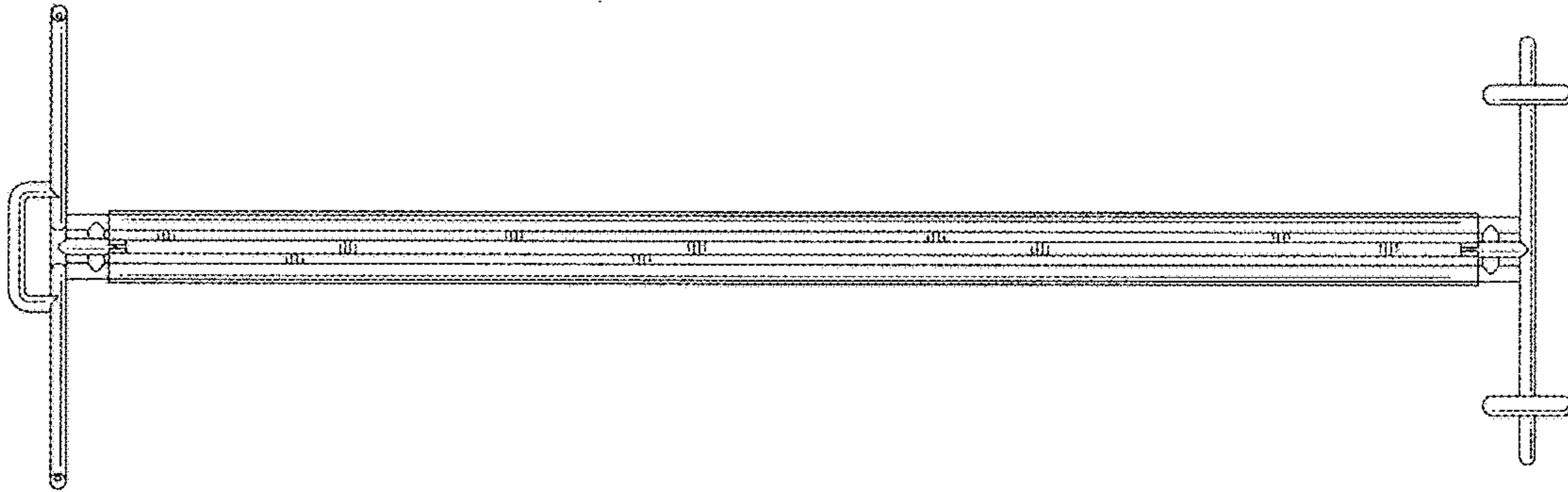


Fig. 8

