



US00D791230S

(12) **United States Design Patent**  
**Nakai et al.**

(10) **Patent No.:** **US D791,230 S**  
(45) **Date of Patent:** **\*\* Jul. 4, 2017**

(54) **TAPE CARTRIDGE FOR TAPE PRINTING MACHINE**

(71) Applicant: **BROTHER INDUSTRIES, LTD.**,  
Nagoya-shi, Aichi-ken (JP)

(72) Inventors: **Shimako Nakai**, Nagoya (JP); **Masashi Tanizaki**, Kuwana (JP); **Tsutomu Kato**, Nagoya (JP)

(73) Assignee: **BROTHER INDUSTRIES, LTD.**,  
Nagoya (JP)

(\*\*) Term: **15 Years**

(21) Appl. No.: **29/553,187**

(22) Filed: **Jan. 29, 2016**

(30) **Foreign Application Priority Data**

Jul. 31, 2015 (JP) ..... 2015-17038

(51) **LOC (10) Cl.** ..... **18-02**

(52) **U.S. Cl.**  
USPC ..... **D18/56**

(58) **Field of Classification Search**  
USPC ..... D18/12, 43, 56; 360/132; 400/194, 195,  
400/196, 207, 208, 234, 235.1, 247  
CPC . B41J 15/044; B41J 32/00; B41J 17/32; B41J  
33/52; B41J 33/56; B41J 35/36; G11B  
23/08757

See application file for complete search history.

(56) **References Cited**

**U.S. PATENT DOCUMENTS**

4,859,097 A \* 8/1989 Frerichs ..... B41J 32/00  
400/208  
5,018,885 A \* 5/1991 Uggetti ..... B41J 33/52  
206/206  
5,030,022 A \* 7/1991 Casey ..... B41J 31/16  
400/194

5,163,764 A \* 11/1992 Falconieri ..... B41J 32/00  
400/208  
5,224,784 A \* 7/1993 Haftmann ..... B41J 35/36  
400/208  
5,456,545 A \* 10/1995 Sims ..... B41J 35/36  
400/207  
5,469,319 A \* 11/1995 Takeda ..... G11B 23/08757  
242/346  
5,501,536 A \* 3/1996 Kleve ..... B41J 32/00  
400/208  
D372,269 S \* 7/1996 Miyazaki ..... 400/208  
5,618,119 A \* 4/1997 Misu ..... B41J 2/325  
400/208  
5,915,859 A \* 6/1999 Kubota ..... B41J 33/56  
400/202

(Continued)

*Primary Examiner* — Manpreet Matharu

*Assistant Examiner* — Suzanne Tisdell

(74) *Attorney, Agent, or Firm* — Oliff PLC

(57) **CLAIM**

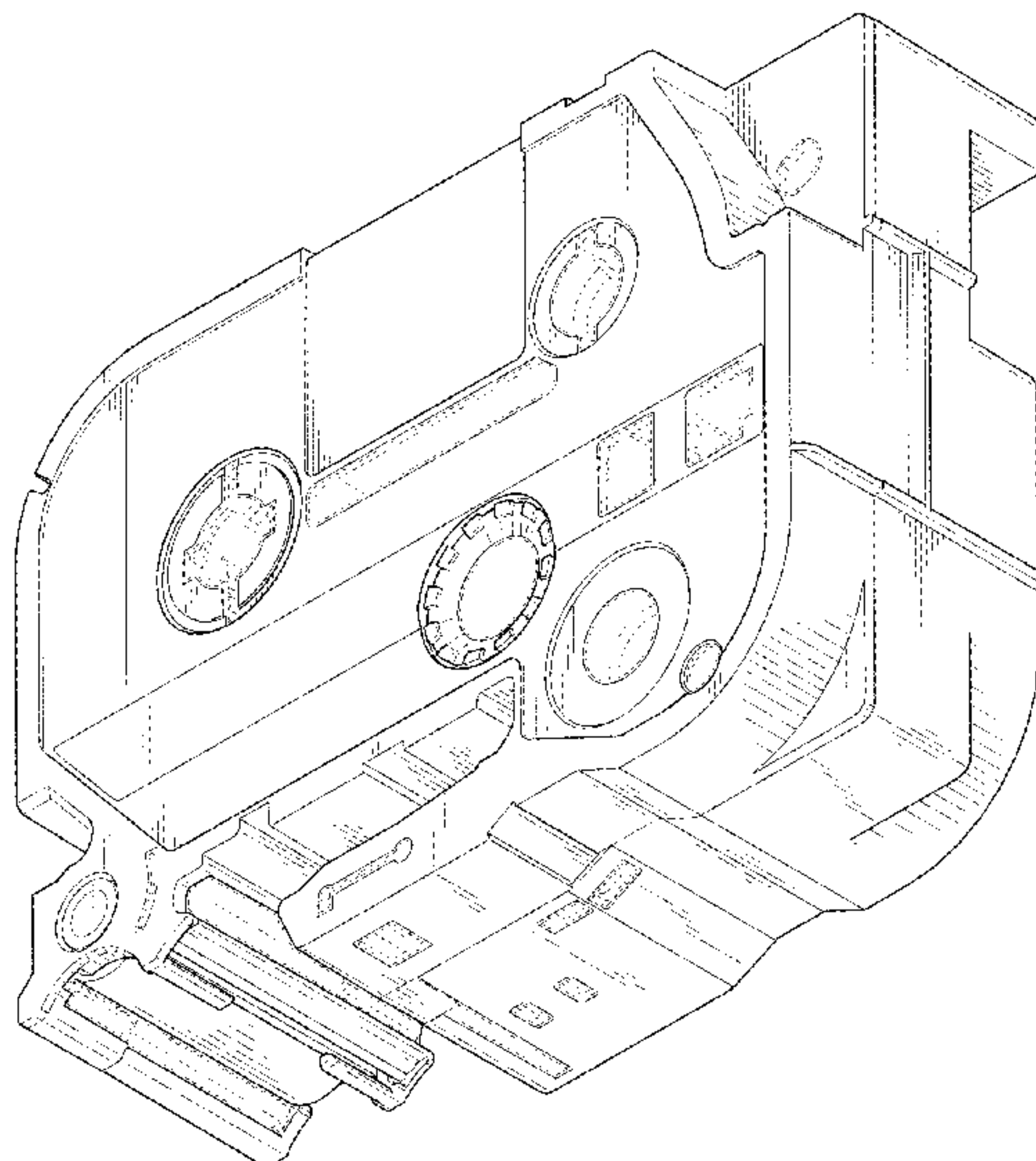
The ornamental design for a tape cartridge for tape printing machine, as shown and described.

**DESCRIPTION**

FIG. 1 is a front, bottom, right-side perspective view of tape cartridge for tape printing machine;  
FIG. 2 is a front view thereof;  
FIG. 3 is a top view thereof;  
FIG. 4 is a right-side view thereof;  
FIG. 5 is a left-side view thereof;  
FIG. 6 is a rear view thereof;  
FIG. 7 is a bottom view thereof;  
FIG. 8 is a rear, top, left-side perspective view thereof; and,  
FIG. 9 is a cross-sectional view taken along a line 9-9 in FIG. 2.

The broken lines depict environmental subject matter only and form no part of the claimed design.

**1 Claim, 8 Drawing Sheets**



(56)

**References Cited**

U.S. PATENT DOCUMENTS

6,027,266 A \* 2/2000 Turner ..... B41J 17/32  
400/208  
D423,566 S \* 4/2000 Hosono ..... D18/56  
D475,737 S \* 6/2003 Nissim ..... D18/12  
D509,531 S \* 9/2005 Geserich ..... D18/12  
D521,550 S \* 5/2006 Kato ..... D18/56  
D523,470 S \* 6/2006 Kato ..... D18/56  
D570,905 S \* 6/2008 Yuen ..... 347/86  
D593,595 S \* 6/2009 Kubota ..... D18/12  
D594,503 S \* 6/2009 Sakano ..... D18/12  
D647,127 S 10/2011 Mita et al.  
D656,541 S \* 3/2012 Ko ..... D18/56  
D733,796 S \* 7/2015 Yamazaki ..... D18/56  
D763,350 S \* 8/2016 Whittall ..... D18/56  
2006/0233582 A1 \* 10/2006 Horiuchi ..... B41J 15/044  
400/208  
2007/0172286 A1 \* 7/2007 Pomfret ..... B41J 32/00  
400/208  
2007/0264071 A1 \* 11/2007 Takahashi ..... B41J 15/044  
400/208

\* cited by examiner

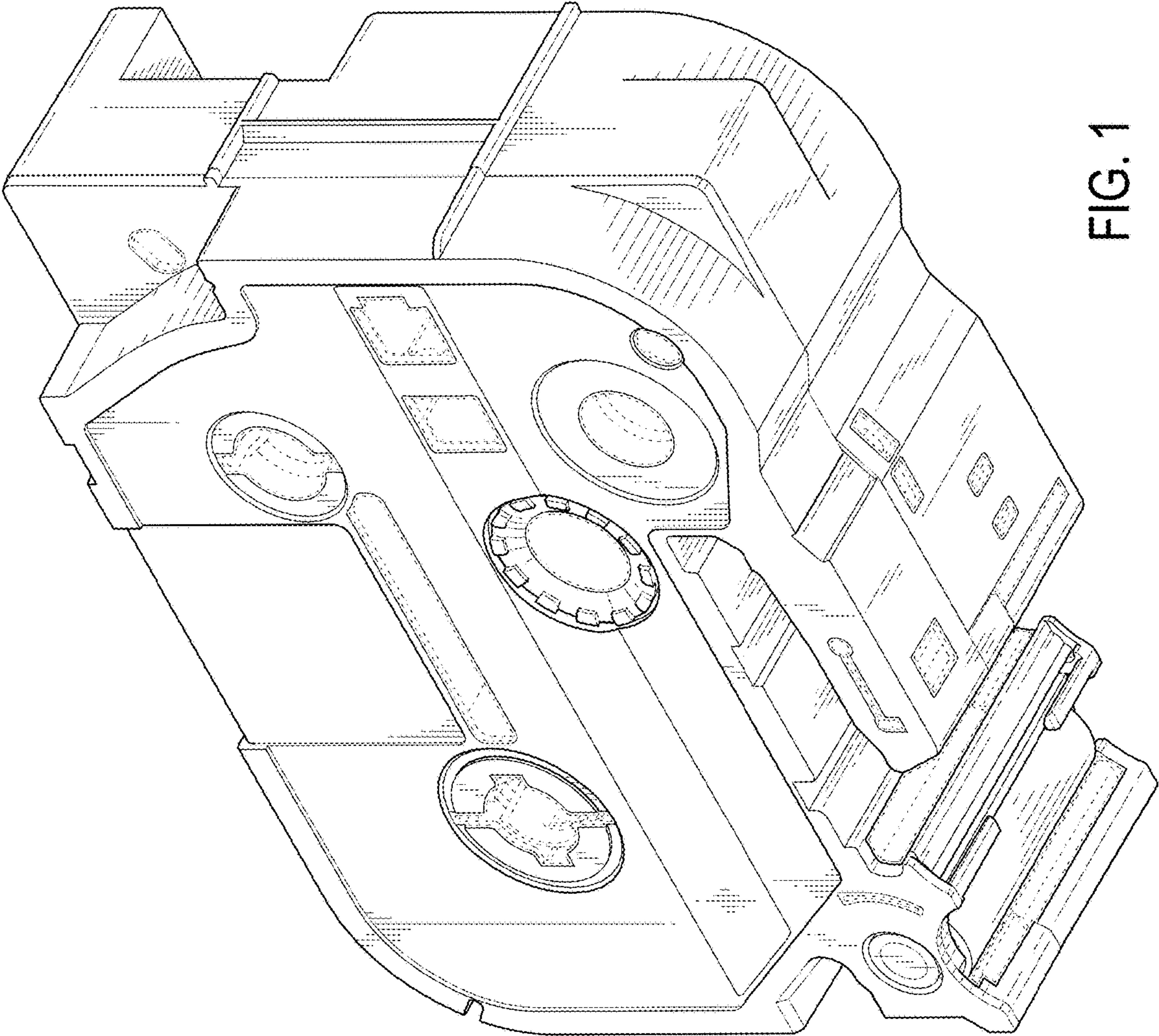


FIG. 1



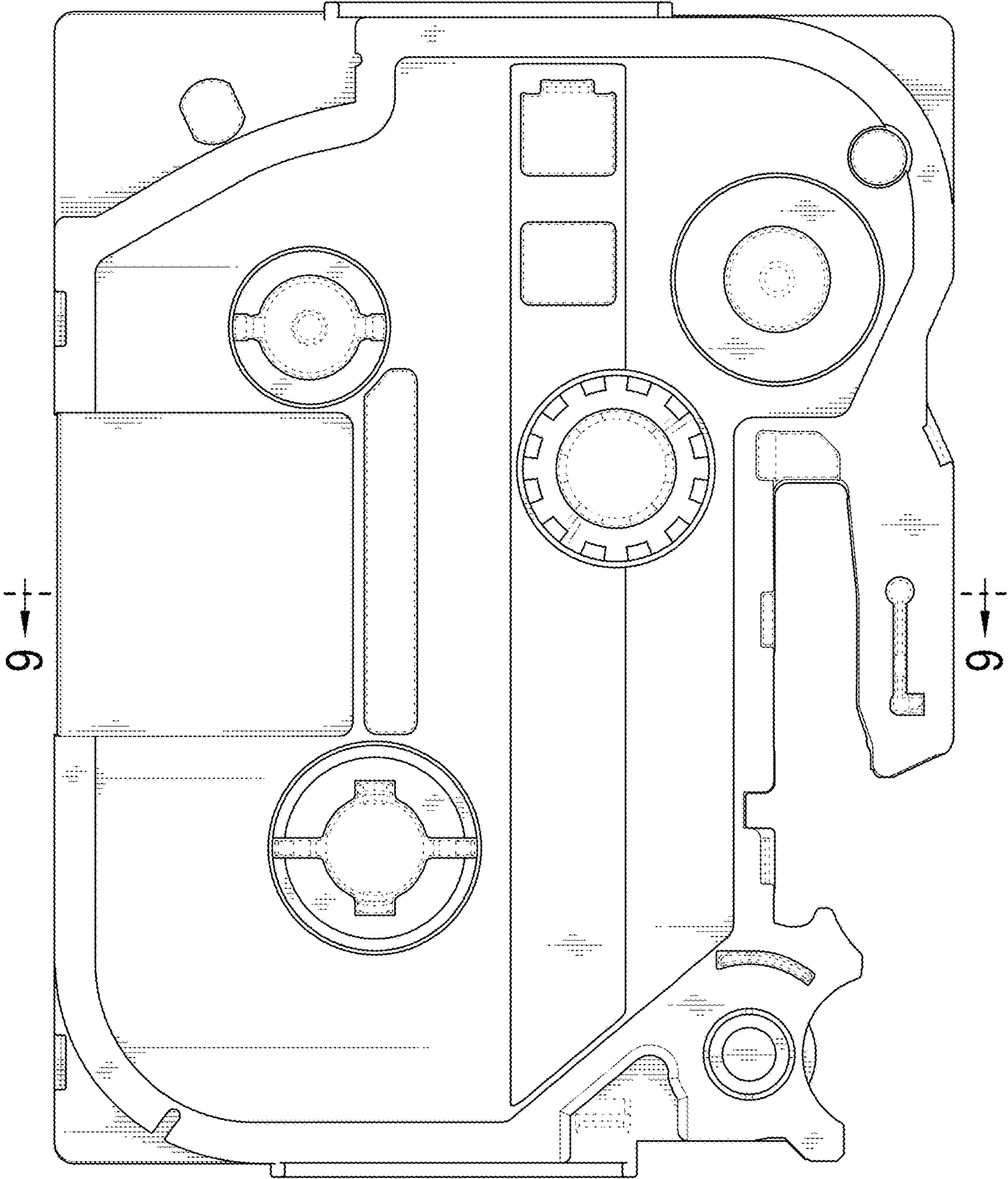


FIG. 2

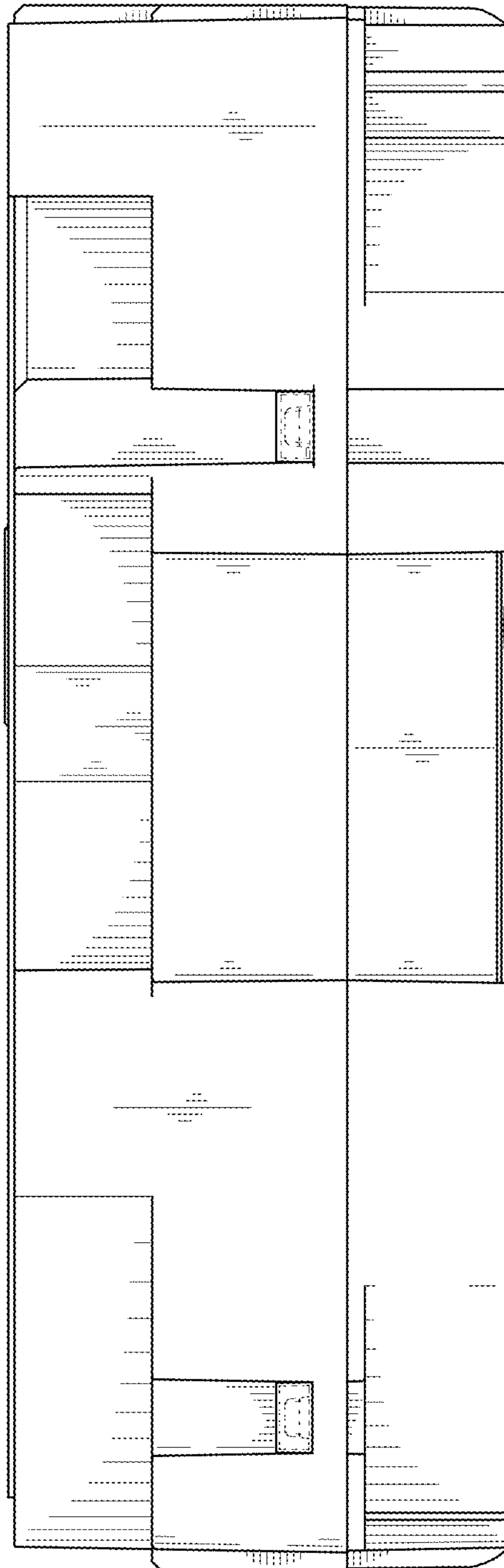


FIG. 3

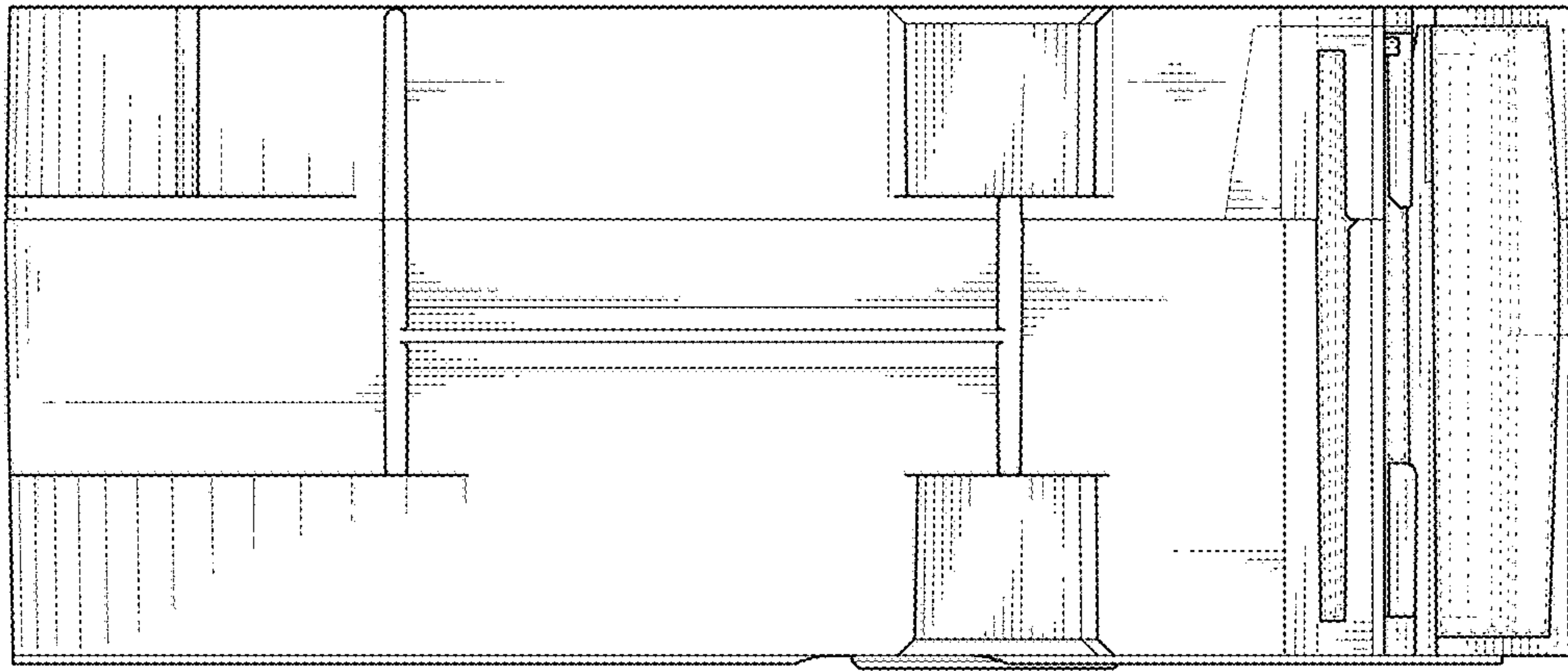


FIG. 5

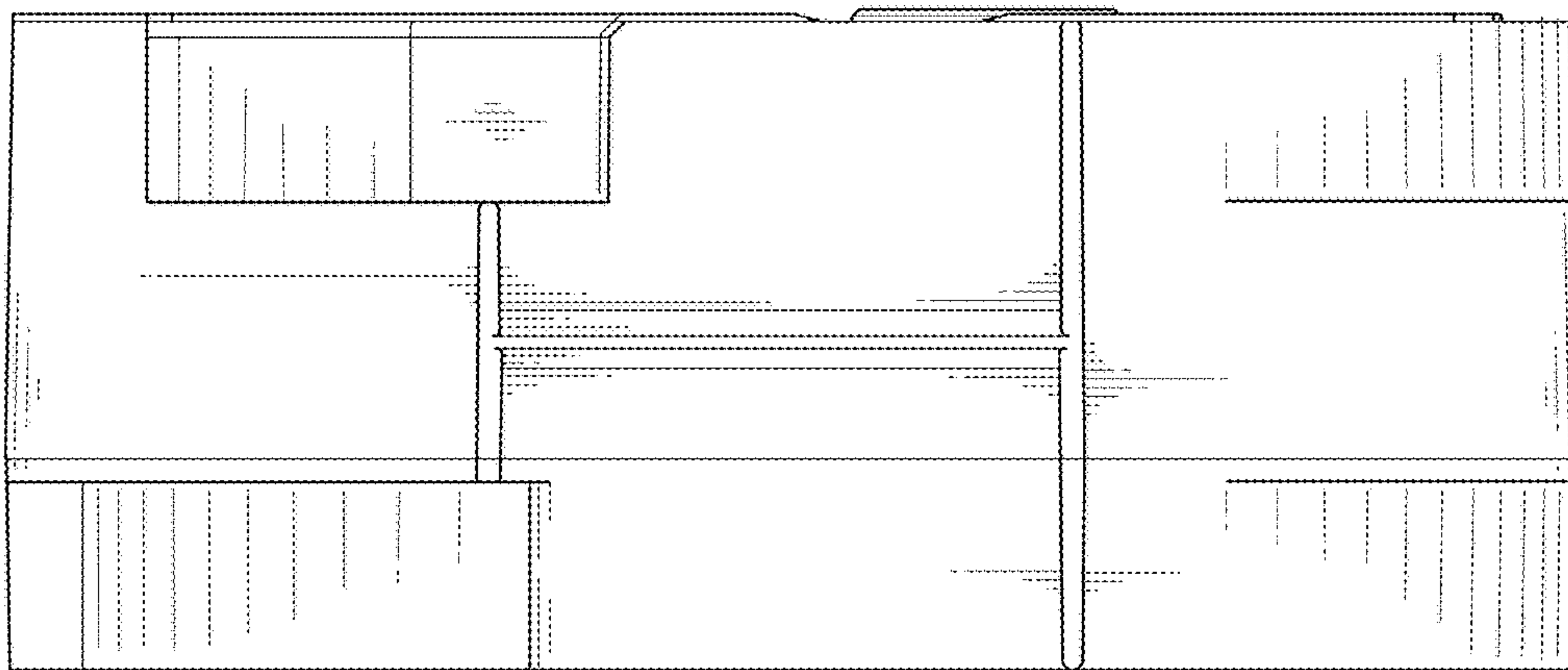


FIG. 4

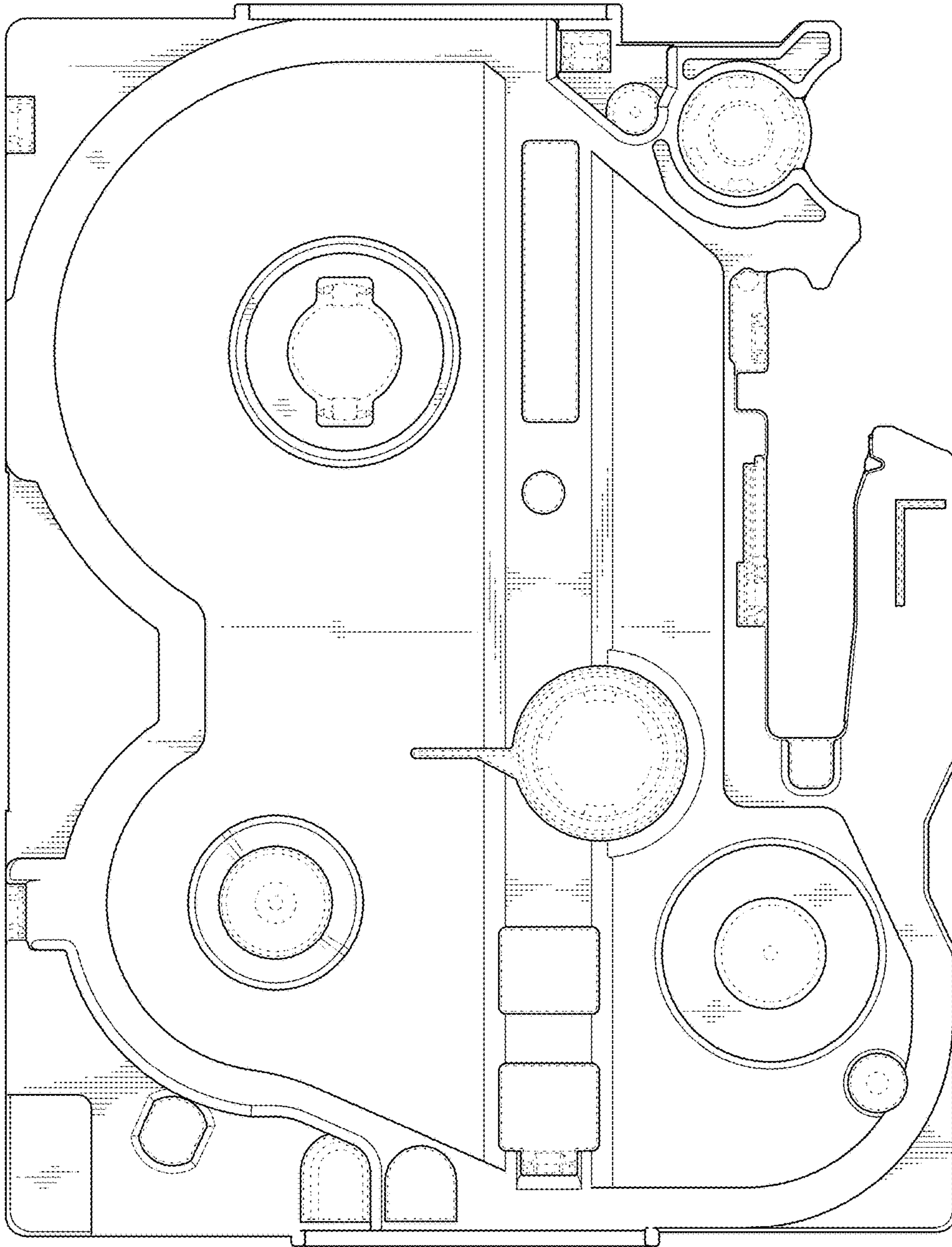


FIG. 6

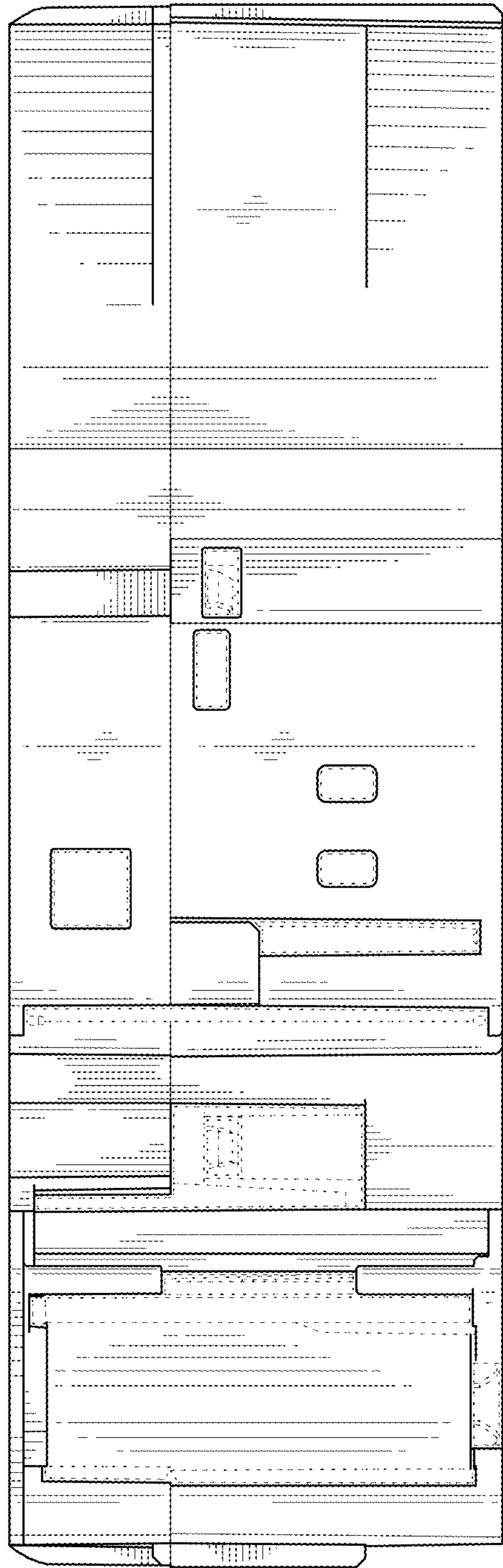


FIG. 7



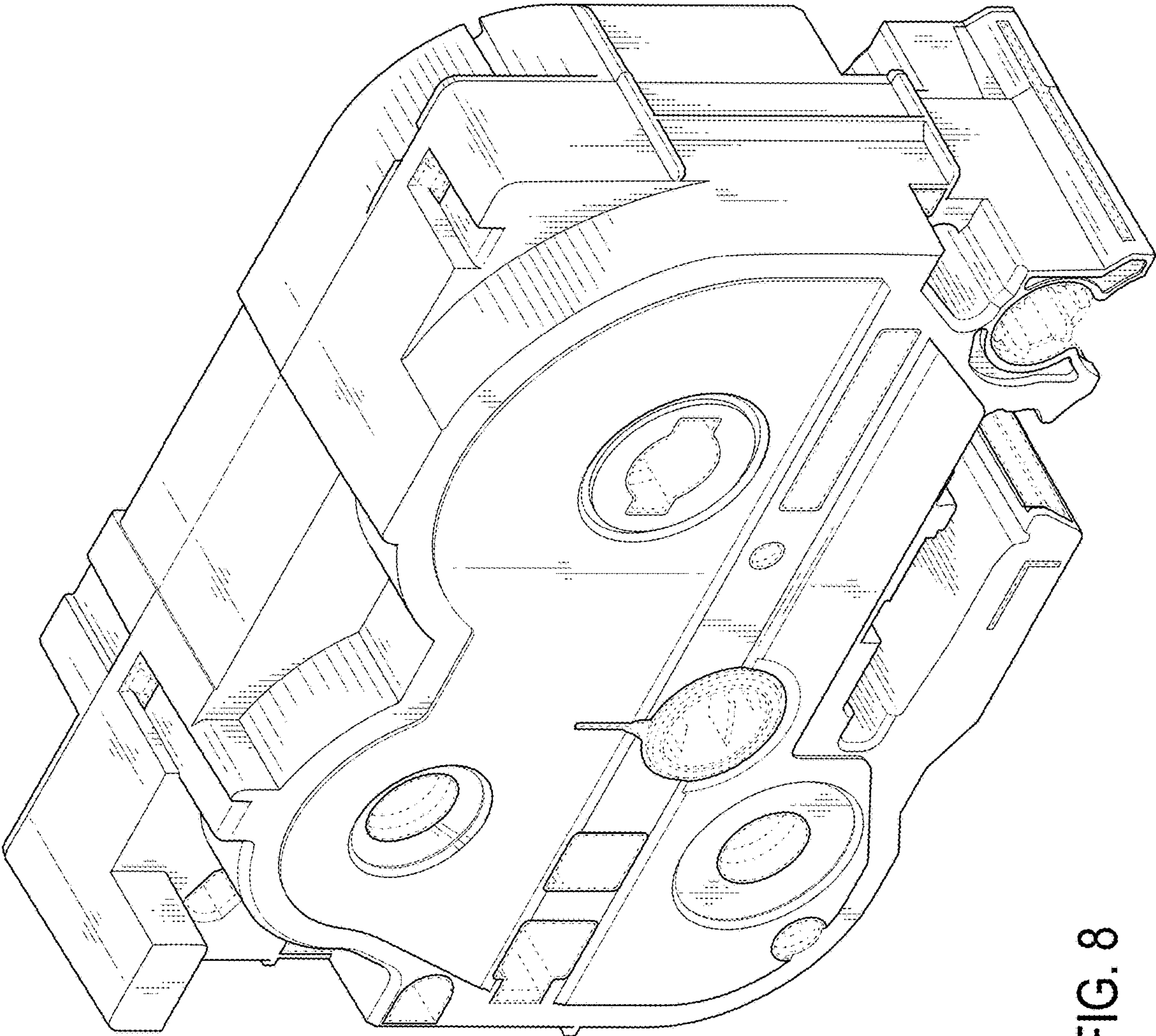


FIG. 8

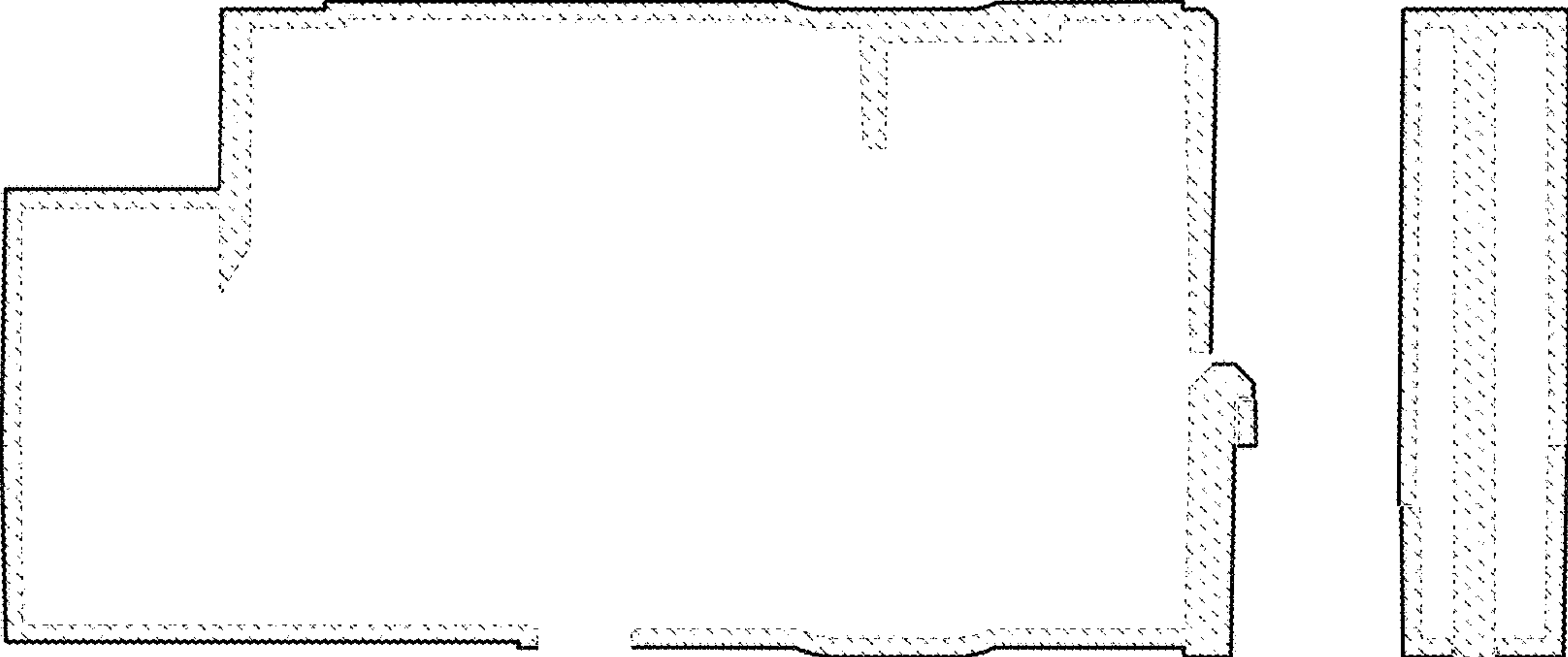


FIG. 9