

US00D791228S

(12) **United States Design Patent** (10) **Patent No.:** **US D791,228 S**  
**Sue** (45) **Date of Patent:** **\*\* Jul. 4, 2017**

(54) **TONER CARTRIDGE**

(71) Applicant: **KYOCERA Document Solutions Inc.**,  
Osaka (JP)

(72) Inventor: **Tomohiro Sue**, Osaka (JP)

(73) Assignee: **KYOCERA DOCUMENT SOLUTIONS, INC.**, Osaka (JP)

(\*\*) Term: **15 Years**

(21) Appl. No.: **29/568,091**

(22) Filed: **Jun. 15, 2016**

(51) **LOC (10) Cl.** ..... **16-03**

(52) **U.S. Cl.**  
USPC ..... **D18/43**

(58) **Field of Classification Search**  
 USPC ..... D18/36, 37, 38, 39, 40, 41, 44, 45, 46,  
 D18/47, 48, 49, 50, 51, 52, 53, 54, 55,  
 D18/56, 4.5, 12, 14, 18, 34.5, 34.9, 99;  
 D14/483, 432, 434, 345, 346, 425, 462,  
 D14/463, 464, 465, 466, 467, 468, 469,  
 D14/470, 471, 1, 307, 129; D15/138,  
 D15/199; 347/1, 20, 29, 197, 214, 222;  
 399/24, 25, 26, 27, 107-112, 120, 222,  
 399/223, 224; D24/230  
 CPC ..... G03G 15/0865; G03G 15/0872; G03G  
 21/1676; G03G 2221/1823; G03G  
 21/1857

See application file for complete search history.

(56) **References Cited**

**U.S. PATENT DOCUMENTS**

D424,103 S \* 5/2000 Eckard ..... D18/56  
 D648,776 S \* 11/2011 Saito ..... D18/43

D648,777 S \* 11/2011 Saito ..... D18/43  
 D648,778 S \* 11/2011 Saito ..... D18/43  
 D648,779 S \* 11/2011 Saito ..... D18/43  
 D651,234 S \* 12/2011 Saito ..... D18/43  
 D654,112 S \* 2/2012 Kanbe ..... D18/56  
 D656,986 S \* 4/2012 Kanbe ..... D18/56  
 D656,987 S \* 4/2012 Kanbe ..... D18/56  
 D759,154 S \* 6/2016 Williamson ..... D18/43  
 D759,155 S \* 6/2016 Williamson ..... D18/43  
 D759,156 S \* 6/2016 Williamson ..... D18/43  
 D759,157 S \* 6/2016 Williamson ..... D18/43  
 D776,297 S \* 1/2017 Demas ..... D24/230

\* cited by examiner

*Primary Examiner* — Cynthia Ramirez

*Assistant Examiner* — Michael Maharajh

(74) *Attorney, Agent, or Firm* — Young & Thompson

(57) **CLAIM**

The ornamental design for a toner cartridge, as shown and described.

**DESCRIPTION**

FIG. 1 is a perspective view of rear, left and bottom of toner cartridge showing my new design;  
 FIG. 2 is a perspective view of rear, right and top thereof;  
 FIG. 3 is a front elevational view thereof;  
 FIG. 4 is a rear elevational view thereof;  
 FIG. 5 is a left-side elevational view thereof;  
 FIG. 6 is a right-side elevational view thereof;  
 FIG. 7 is a top plan view thereof; and,  
 FIG. 8 is a bottom plan view thereof.  
 The broken lines shown in the figures are for the purpose of illustrating portions of the toner cartridge and form no part of the claimed design.

**1 Claim, 8 Drawing Sheets**

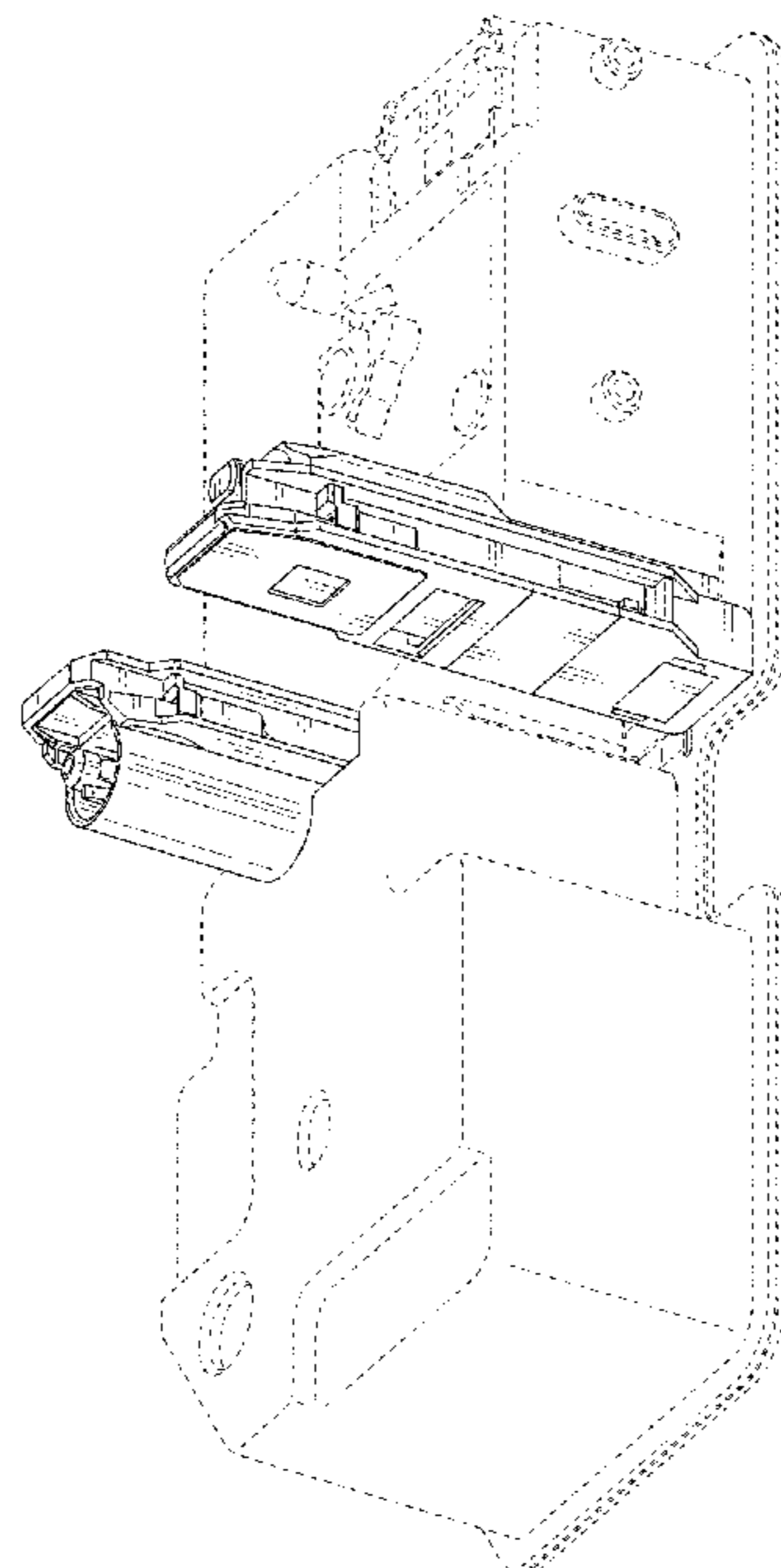


Fig. 1

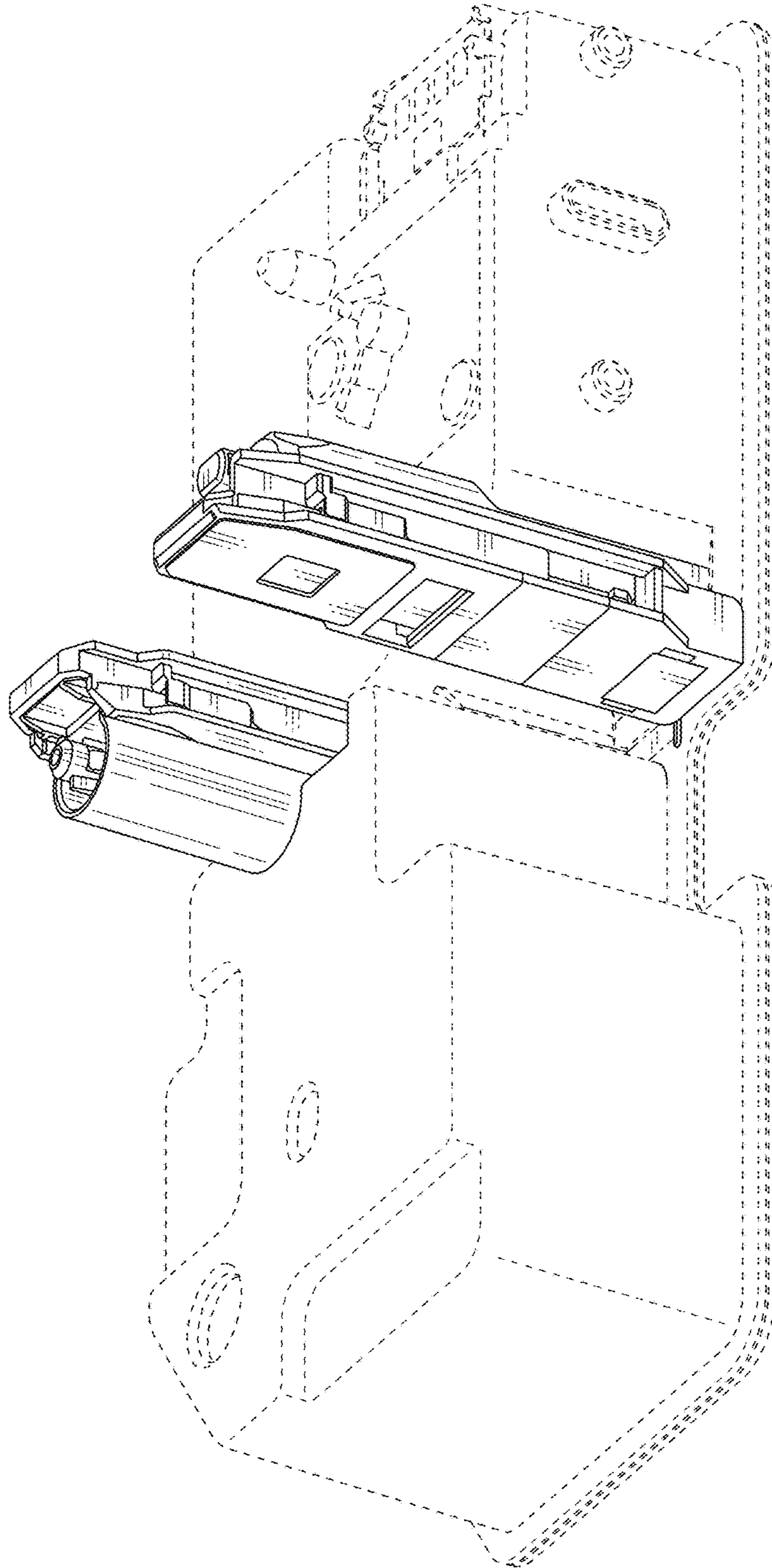


Fig. 2

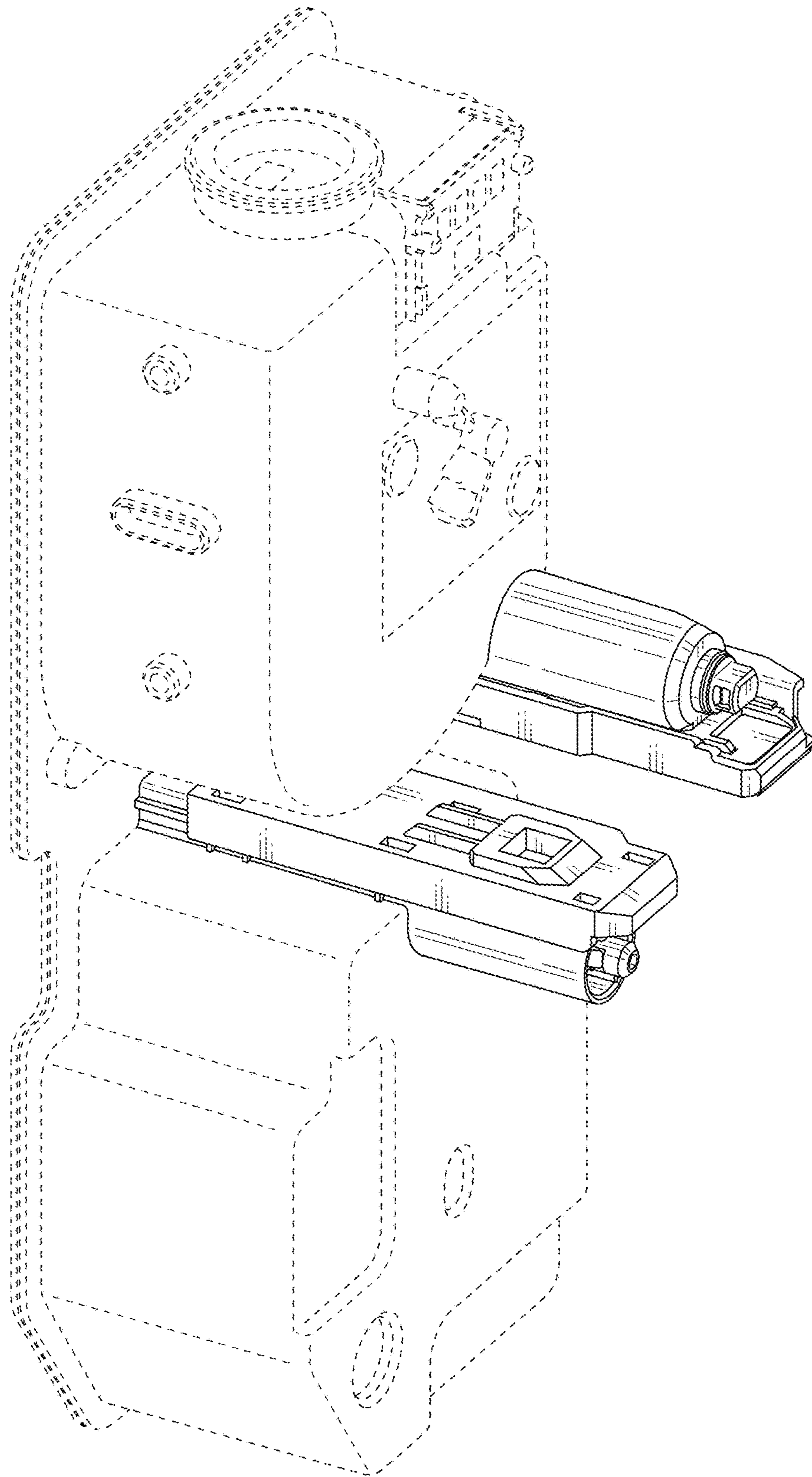


Fig. 3

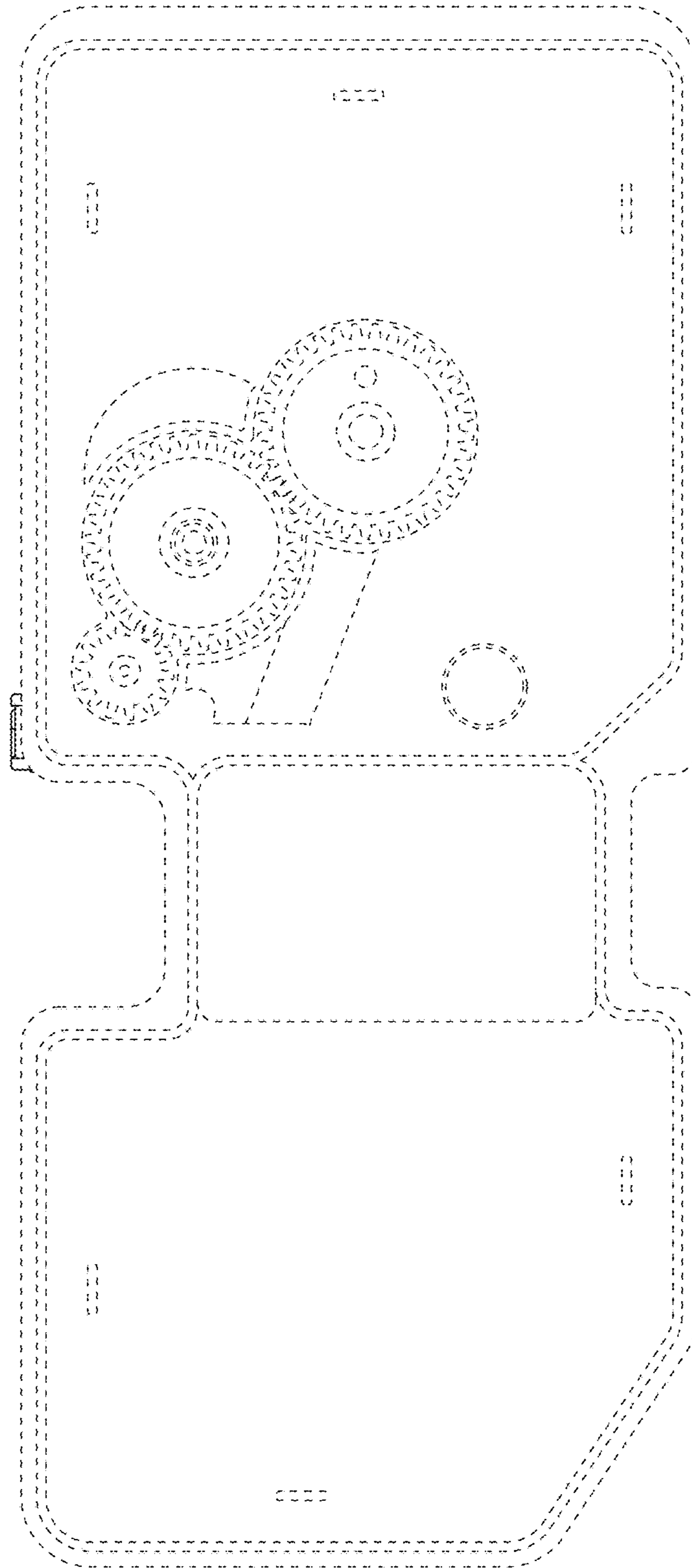


Fig. 4

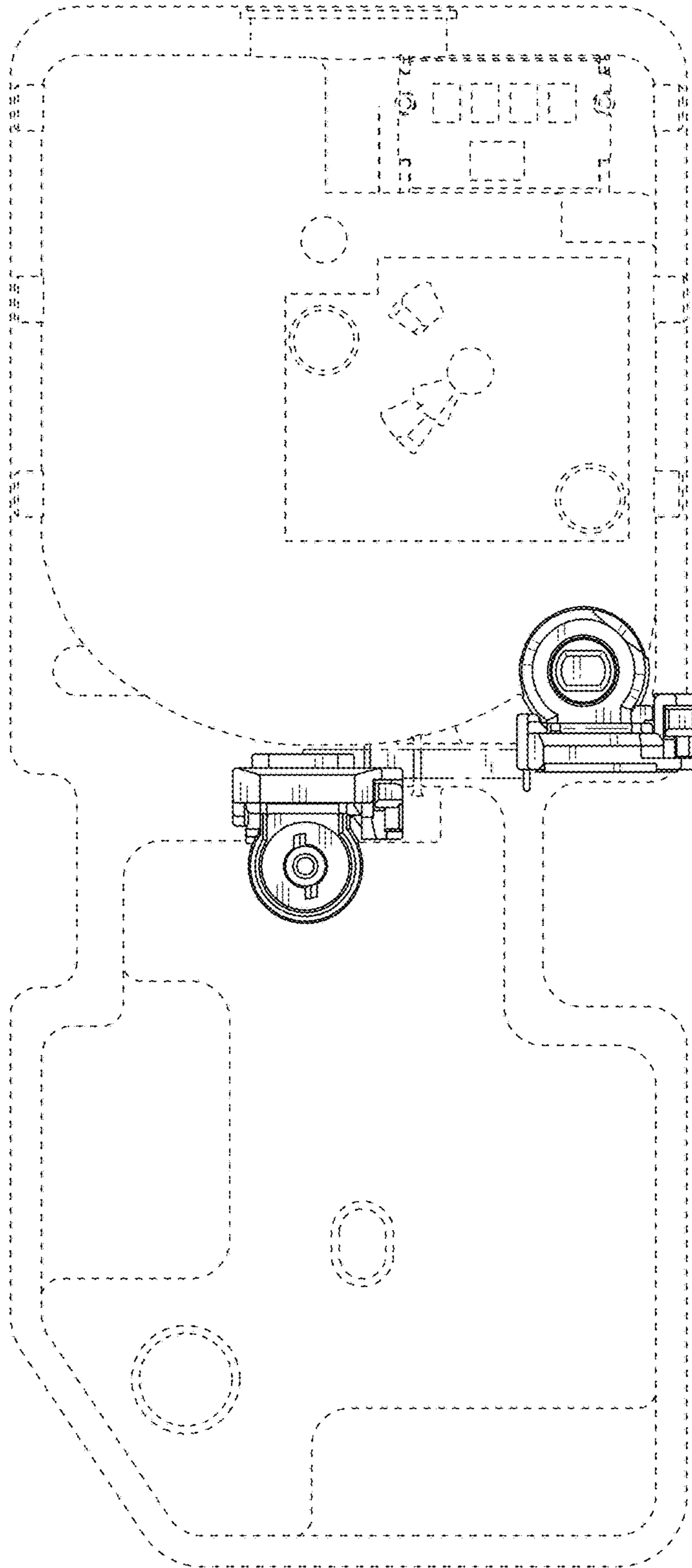


Fig. 5

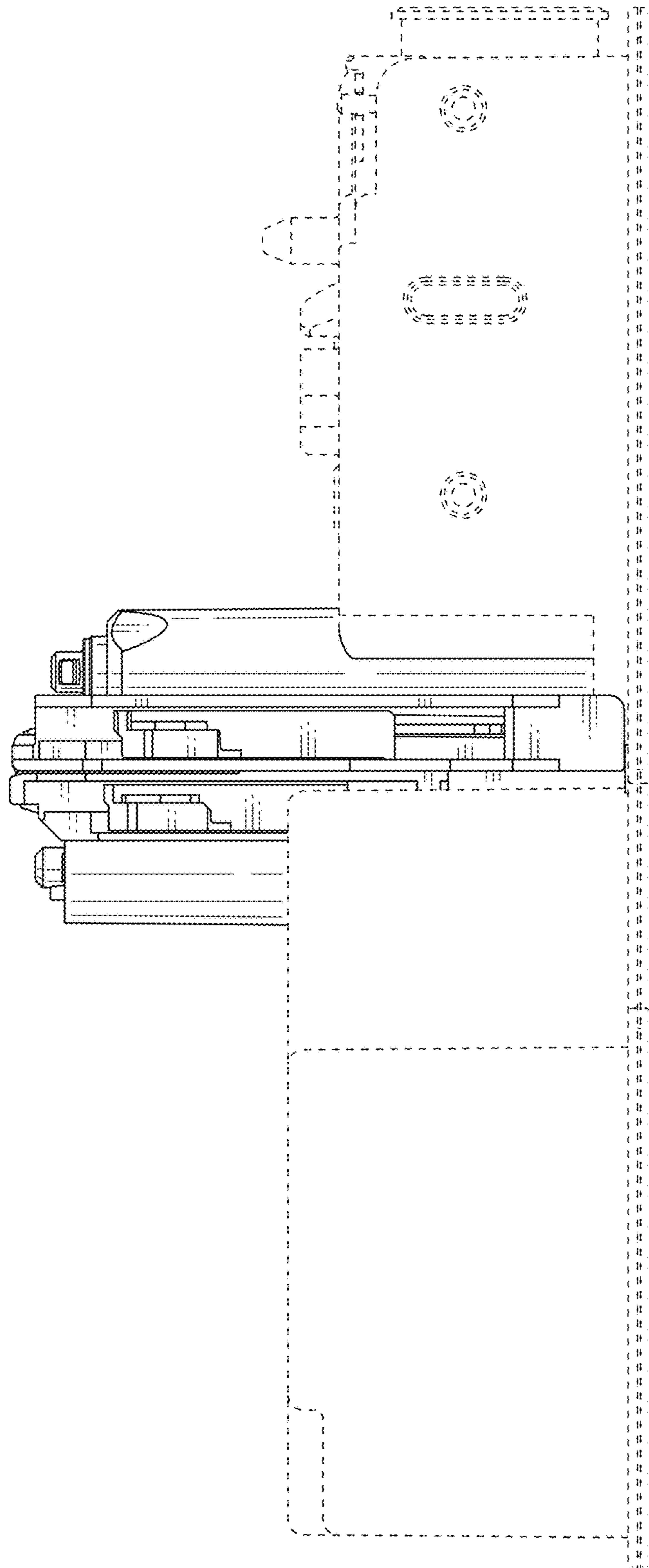


Fig. 6

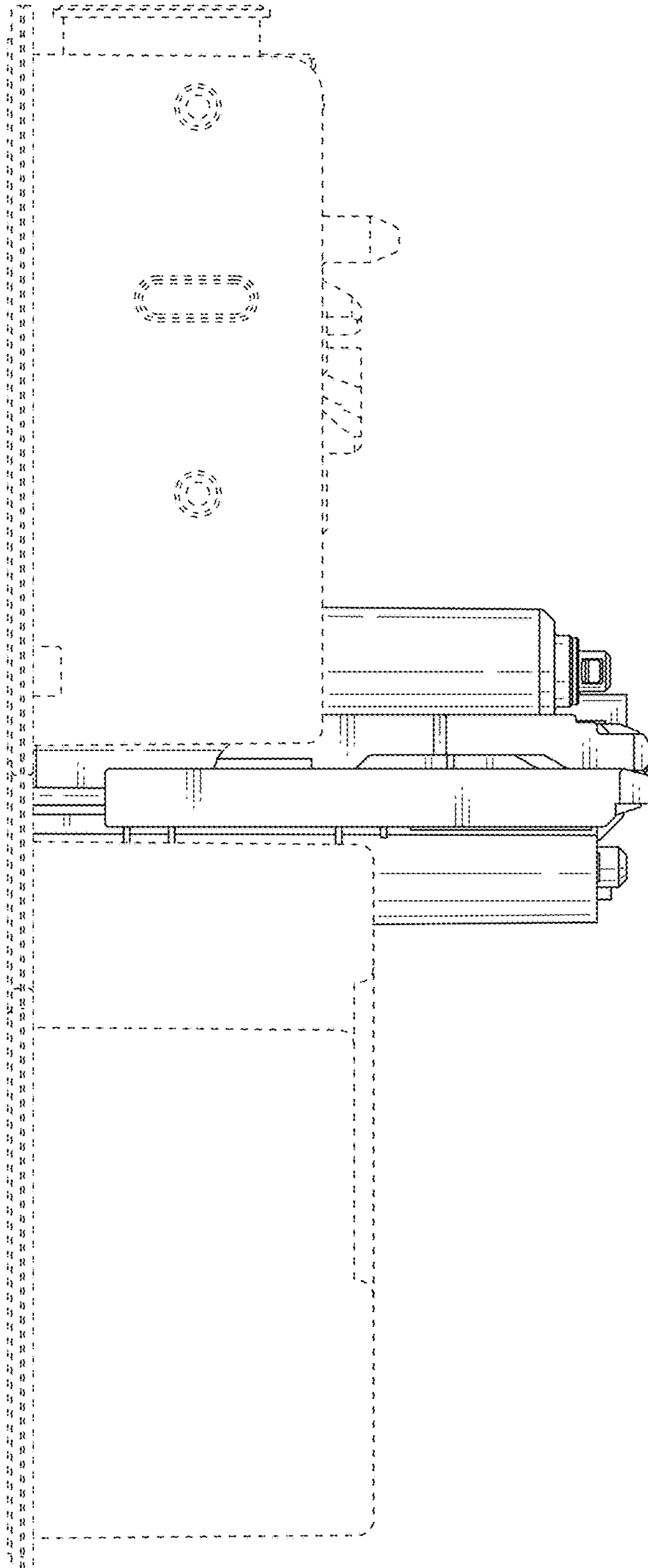


Fig. 7

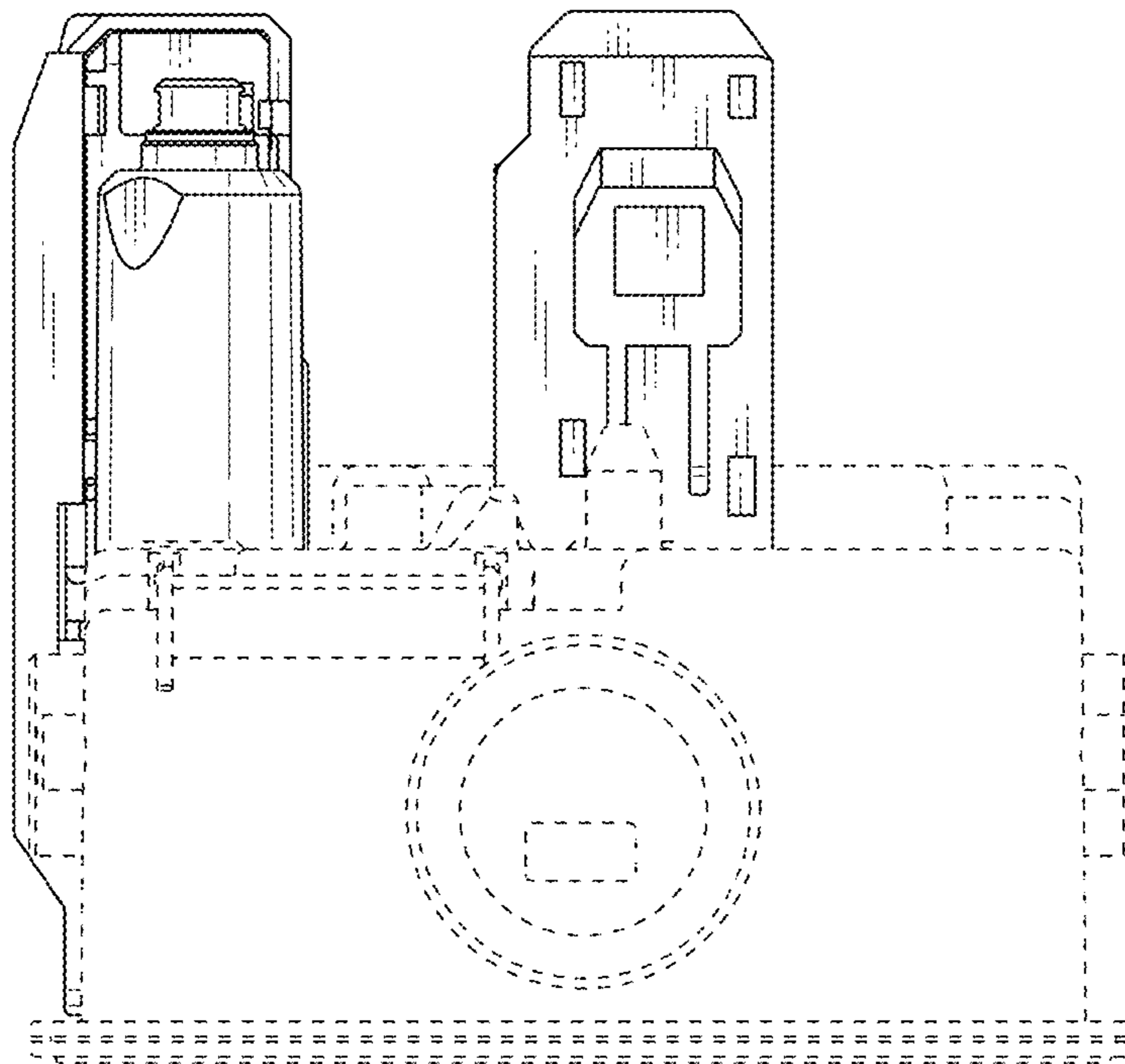




Fig. 8

