



US00D791227S

(12) **United States Design Patent**
Yokoyama

(10) **Patent No.:** **US D791,227 S**
(45) **Date of Patent:** **** Jul. 4, 2017**

(54) **DEVELOPER CARTRIDGE**

(71) Applicant: **TOSHIBA TEC KABUSHIKI KAISHA**, Tokyo (JP)

(72) Inventor: **Noriyuki Yokoyama**, Shizuoka-ken (JP)

(73) Assignee: **Toshiba Tec Kabushiki Kaisha**, Tokyo (JP)

(**) Term: **15 Years**

(21) Appl. No.: **29/554,440**

(22) Filed: **Feb. 11, 2016**

(30) **Foreign Application Priority Data**

Aug. 12, 2015 (JP) 2015-017905

(51) **LOC (10) Cl.** **16-03**

(52) **U.S. Cl.**
USPC **D18/43**

(58) **Field of Classification Search**
USPC D18/36, 37, 38, 39, 40, 41, 44, 45, 46, D18/47, 48, 49, 50, 51, 52, 53, 54, 55, D18/56, 4.5, 12, 14, 18, 34.5, 34.9, 99; D14/483, 432, 434, 345, 346, 425, 462, D14/463, 464, 465, 466, 467, 468, 469, D14/470, 471, 301, 307, 129, 130; D15/138, 199; 347/1, 20, 29, 197, 214, 347/222; 399/24, 25, 26, 27, 107-112, 399/119, 120, 222, 223, 224
CPC G03G 15/0865; G03G 15/0872; G03G 2221/182; B41J 2/17526
See application file for complete search history.

(56) **References Cited**

U.S. PATENT DOCUMENTS

D418,862 S * 1/2000 Ogawa D18/43
D528,591 S * 9/2006 Hashimoto D18/43

D529,075 S * 9/2006 Arakawa D18/43
D559,894 S * 1/2008 Sato D18/43
7,327,971 B2 * 2/2008 Oda G03G 15/0868
399/119
D600,744 S * 9/2009 Kim D18/43
D694,816 S * 12/2013 Fukamachi D18/43
D709,946 S * 7/2014 Sato D18/43
D717,369 S * 11/2014 Sato D18/43
D718,381 S * 11/2014 Itabashi D18/43
D720,396 S * 12/2014 Torimoto D18/43
D723,614 S * 3/2015 Shimizu D18/43
9,063,458 B2 * 6/2015 Sato G03G 15/0832
D736,310 S * 8/2015 Han D18/43
9,201,344 B2 * 12/2015 Sato G03G 15/0867
D774,130 S * 12/2016 Yoshii D18/43

* cited by examiner

Primary Examiner — Cynthia Ramirez

Assistant Examiner — Michael Maharajh

(74) *Attorney, Agent, or Firm* — Foley & Lardner LLP

(57) **CLAIM**

The ornamental design for a developer cartridge, as shown and described.

DESCRIPTION

FIG. 1 is a top perspective view of a developer cartridge, showing my new design;
FIG. 2 is a bottom perspective view thereof;
FIG. 3 is a front elevational view thereof;
FIG. 4 is a rear elevational view thereof;
FIG. 5 is a top plan view thereof;
FIG. 6 is a bottom plan view thereof;
FIG. 7 is a left-side view thereof;
FIG. 8 is a right-side view thereof; and,
FIG. 9 is a cross-sectional view taken along line 9-9 thereof. The broken lines shown in the figures are for the purpose of illustrating portions of the developer cartridge and form no part of the claimed design.

1 Claim, 5 Drawing Sheets

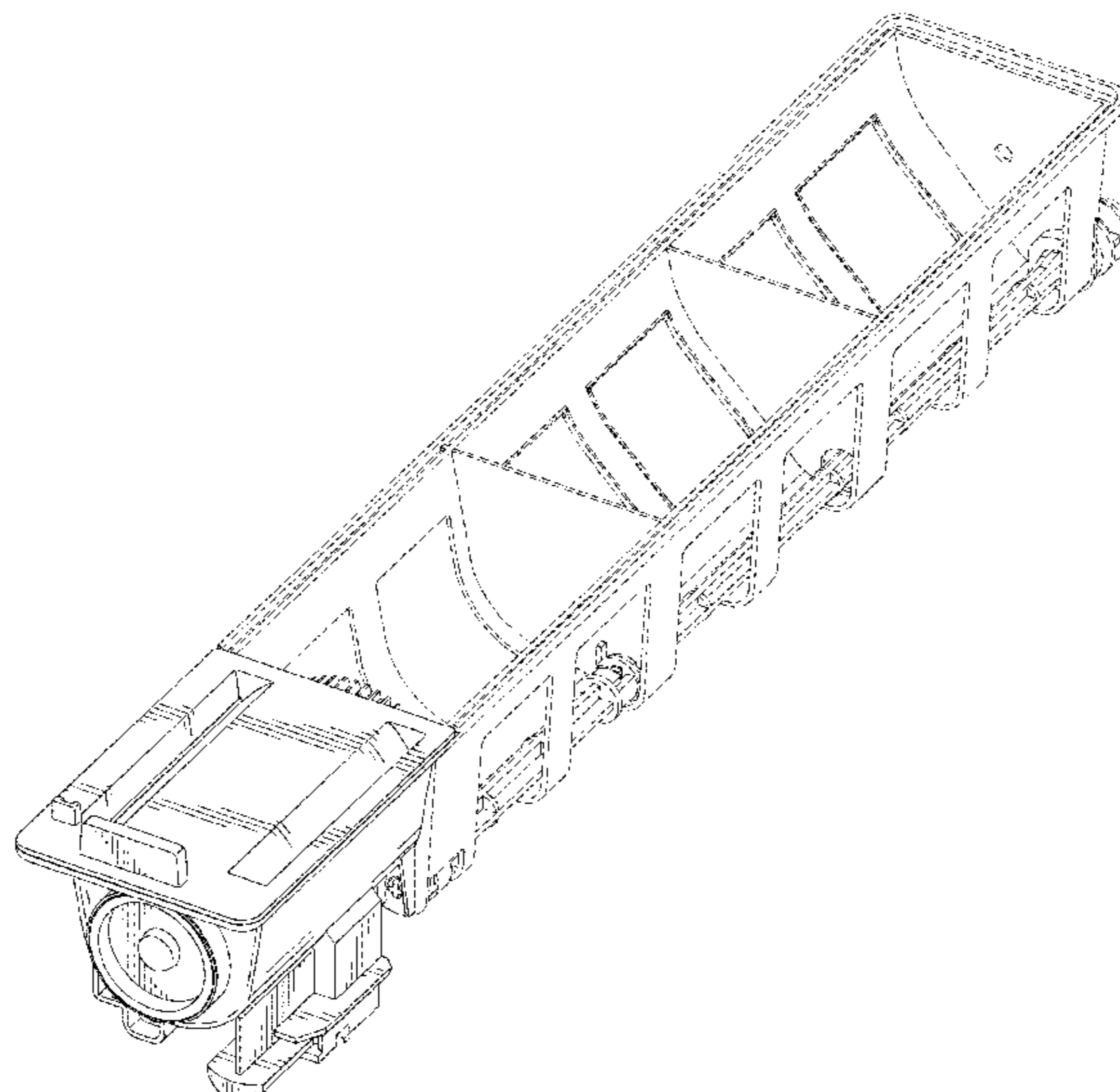


FIG. 1

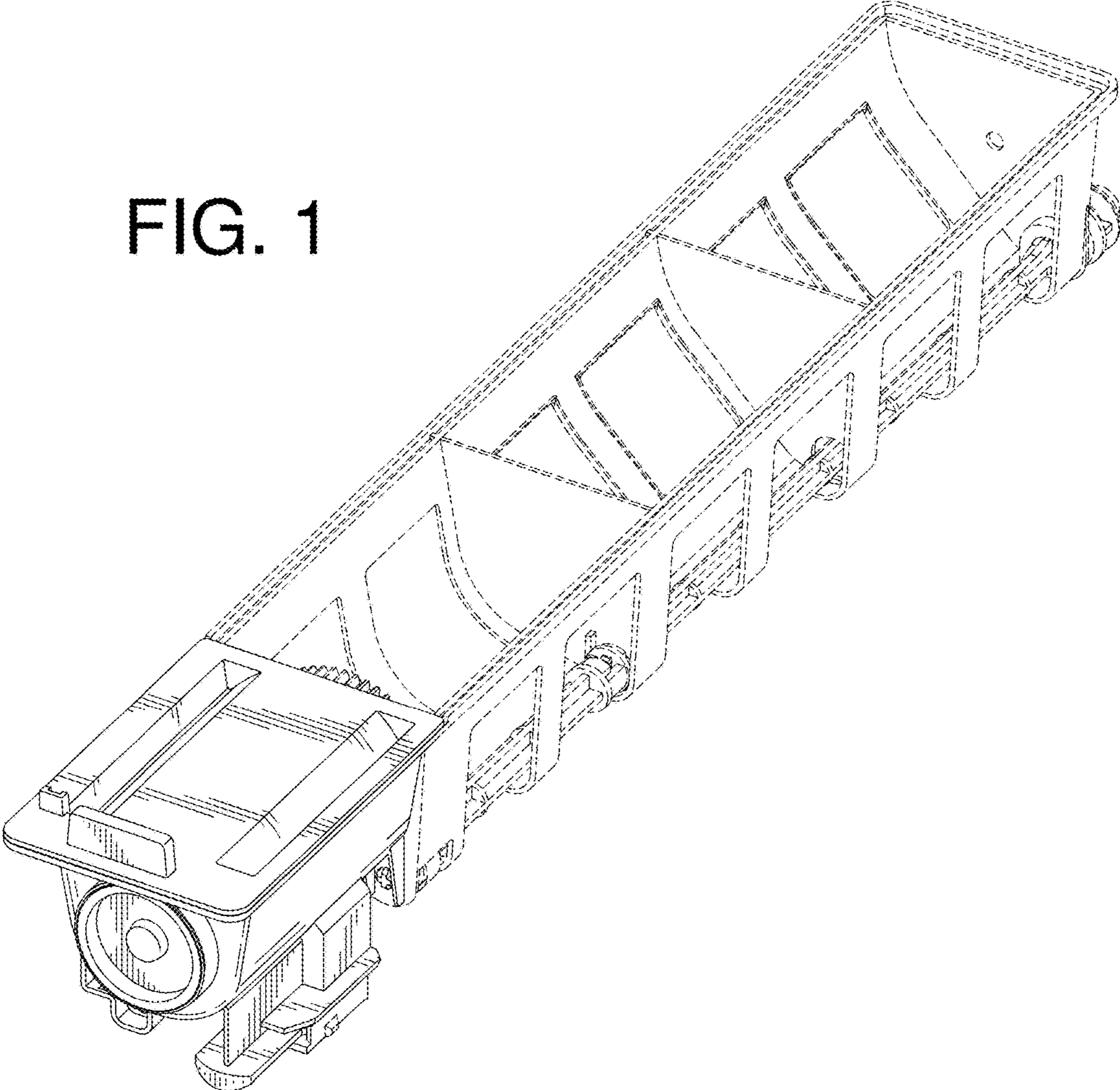


FIG. 2

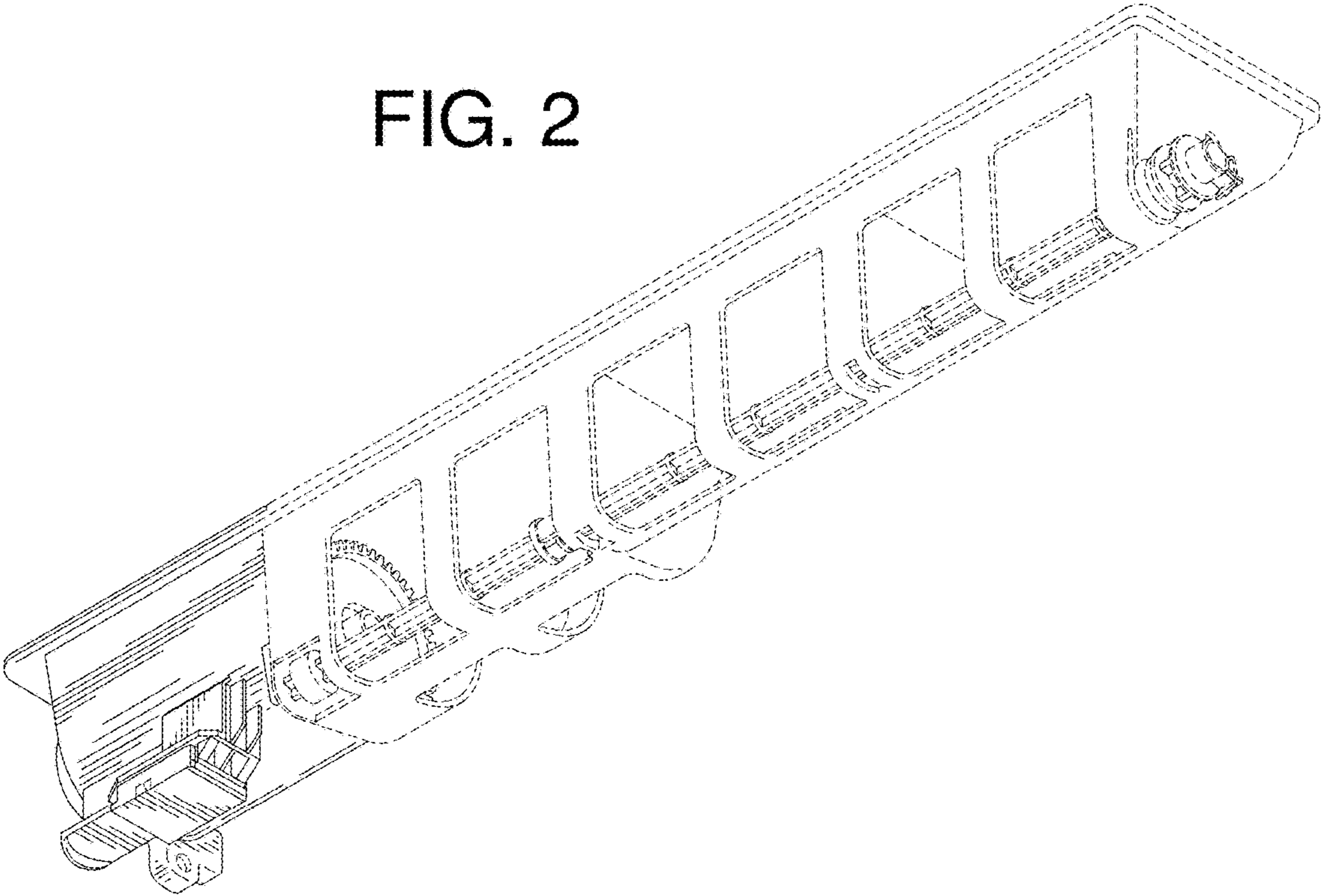


FIG. 3

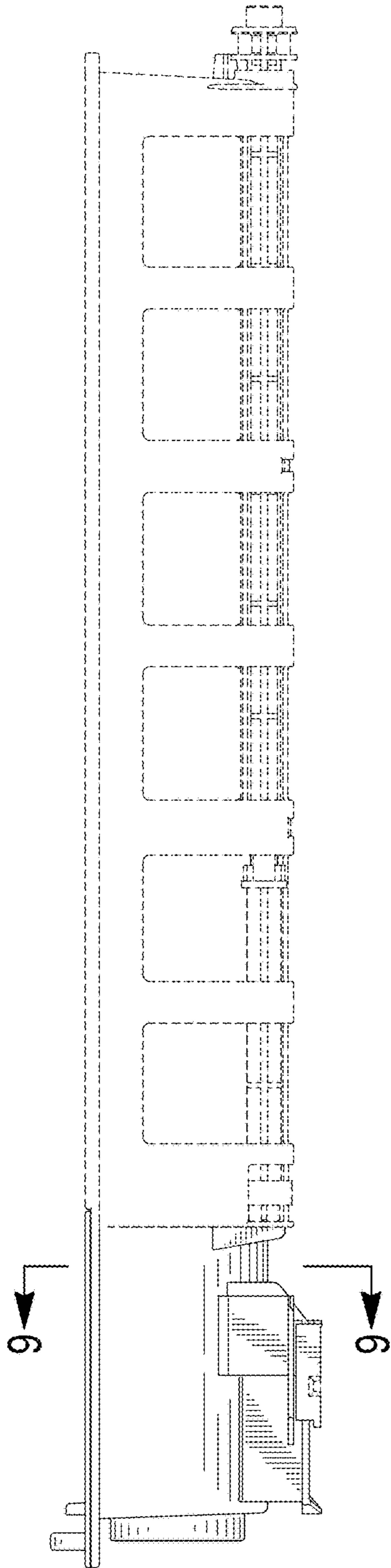


FIG. 4

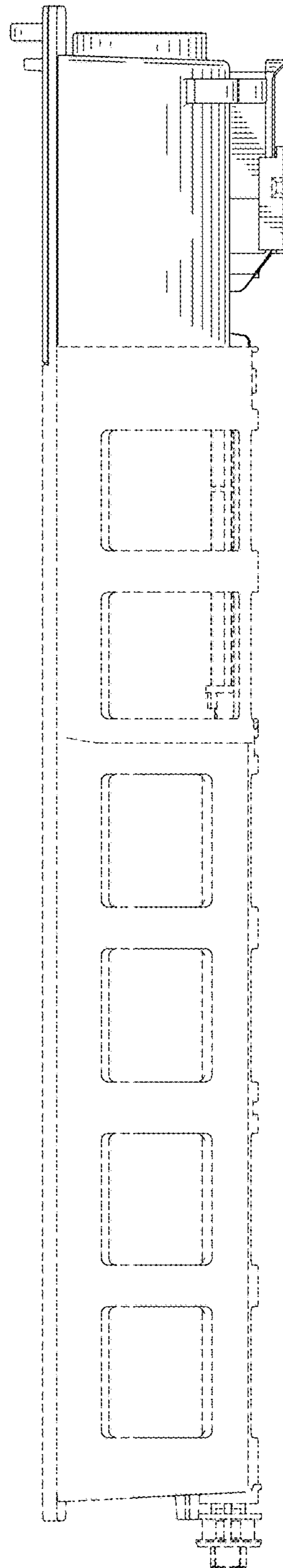


FIG. 5

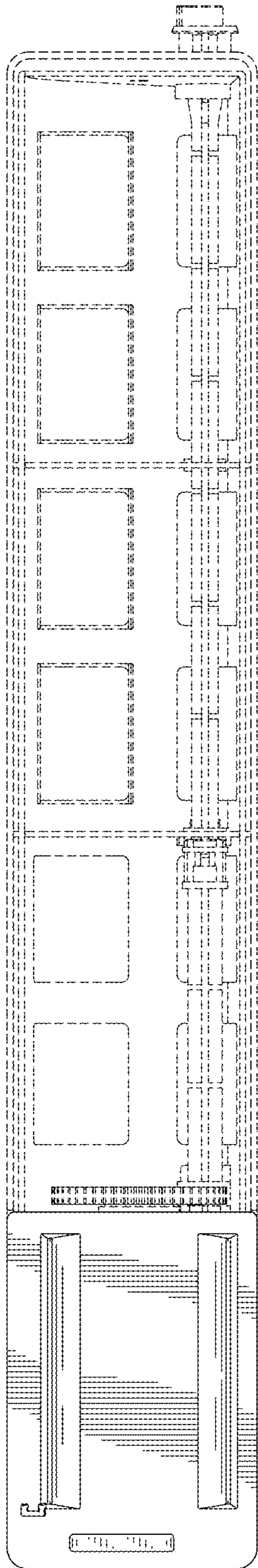


FIG. 6

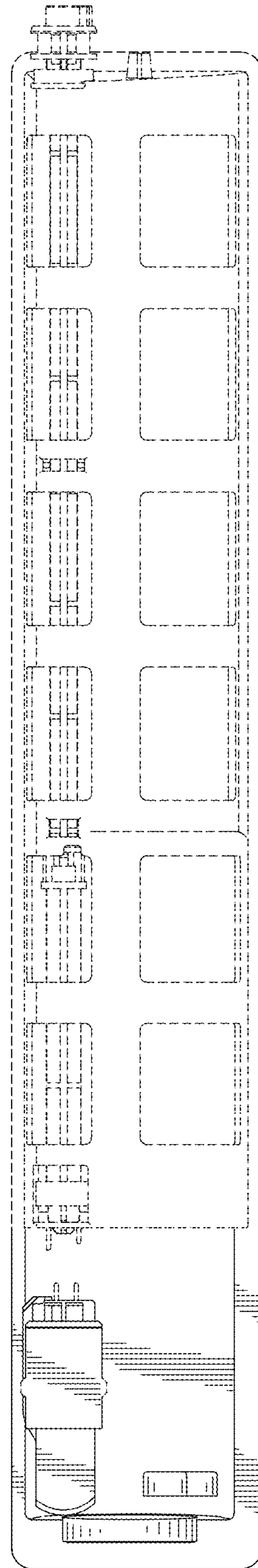


FIG. 7

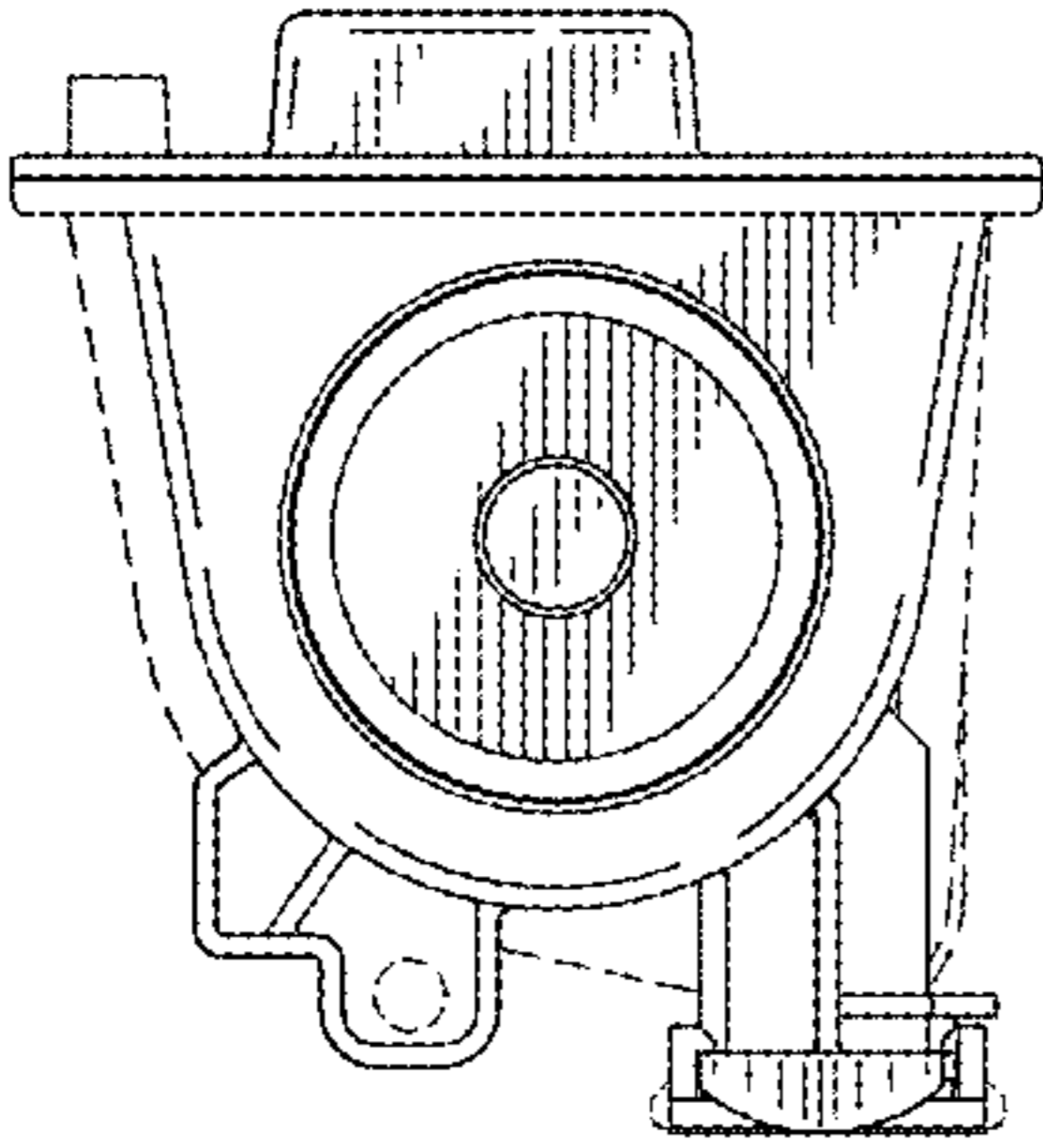


FIG. 8

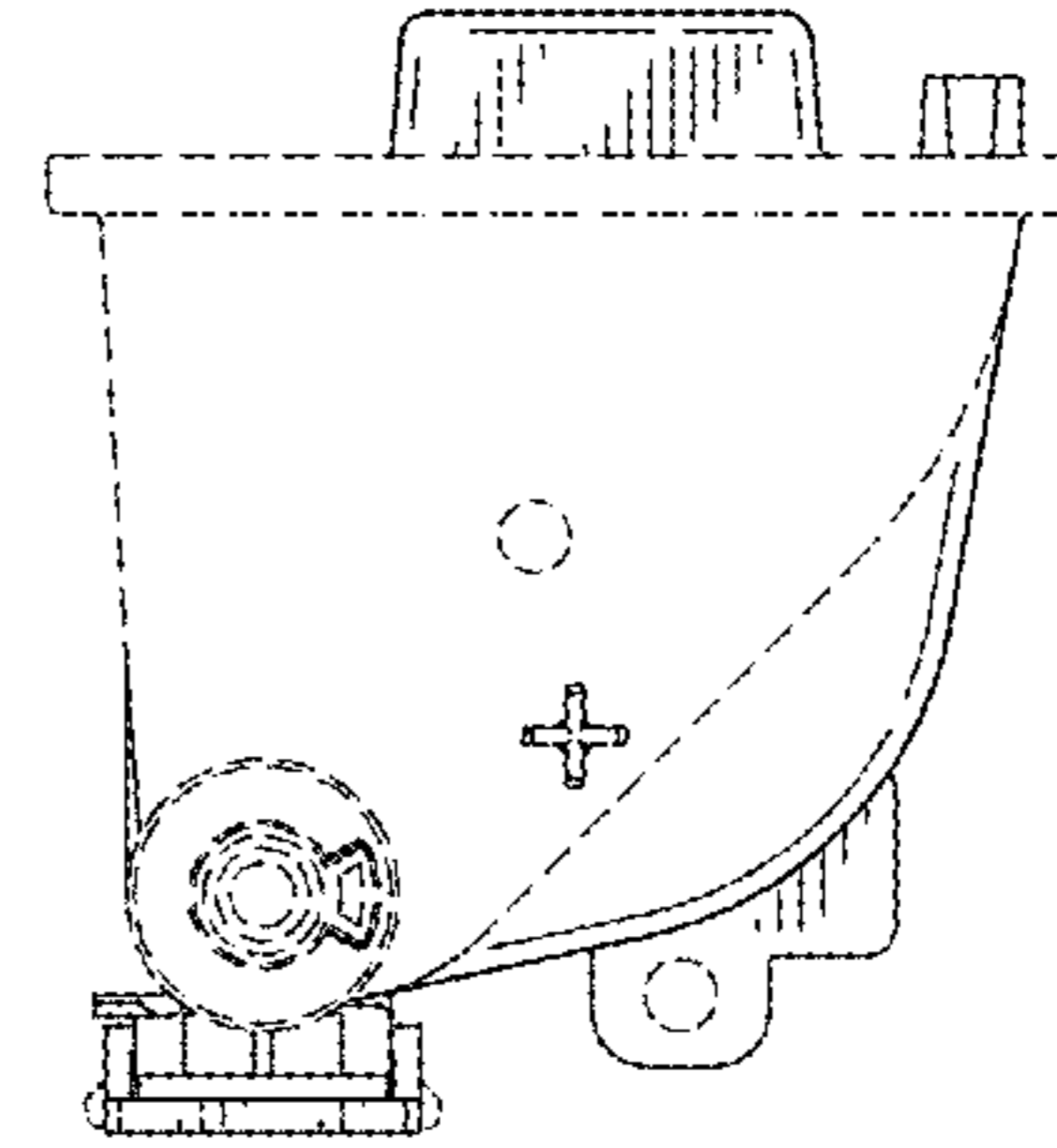


FIG. 9

