



US00D791223S

(12) **United States Design Patent**
Blanc

(10) **Patent No.:** **US D791,223 S**
(45) **Date of Patent:** **** Jul. 4, 2017**

(54) **PAYMENT TERMINAL**

(71) Applicant: **“COMPAGNIE INDUSTRIELLE ET FINANCIERE D’INGENIERIE”**
INGENICO, Paris (FR)

(72) Inventor: **Olivier Blanc, Pont de l’Isere (FR)**

(73) Assignee: **“COMPAGNIE INDUSTRIELLE ET FINANCIERE D’INGENIERIE”**
INGENICO, Paris (FR)

D389,466 S *	1/1998	Nakao	D14/387
D423,037 S *	4/2000	Ohki	D18/4.6
6,547,132 B1 *	4/2003	Templeton	G06K 7/0004 235/379
6,651,885 B1 *	11/2003	Arias	G06Q 20/04 235/381
D672,386 S *	12/2012	Matunuma	D18/4.6
D716,369 S *	10/2014	Park	D18/4.4
D716,370 S *	10/2014	Park	D18/4.4
D716,371 S *	10/2014	Lee	D18/4.4
D729,867 S *	5/2015	Lee	D18/4.6
2006/0273172 A1 *	12/2006	Helez	G07G 1/0018 235/439

(**) Term: **15 Years**

(Continued)

(21) Appl. No.: **29/528,111**

(22) Filed: **May 26, 2015**

(30) **Foreign Application Priority Data**

Nov. 27, 2014 (EM) 002586917-0001

(51) **LOC (10) Cl.** **18-01**

(52) **U.S. Cl.**
USPC **D18/4.6; D14/385**

(58) **Field of Classification Search**
USPC ... D18/4.6, 4.1, 4.3, 4.4, 4.5, 12, 12.1, 12.3,
D18/56, 18; D14/178, 239, 307, 332,
D14/336, 337, 341, 371, 374-377, 385,
D14/386, 420, 421, 448, 451, 452;
D20/10, 41, 99; D99/28, 34, 35, 36, 37,
D99/43, 99; 705/16
CPC G07F 7/08; G07F 7/0873; G07F 7/088;
G07F 7/0886; G07F 7/0893; G07F 19/00;
G07G 1/00; G07G 1/12; G07G 1/0018;
G07G 1/0027; G06Q 20/20; G06K 7/083;
G06K 7/084

See application file for complete search history.

(56) **References Cited**

U.S. PATENT DOCUMENTS

D298,944 S * 12/1988 Stark D18/4.6
D338,876 S * 8/1993 Nair D18/4.6

OTHER PUBLICATIONS

Payment terminals KR 300835872(Design—© Questel). orbit.com [online PDF] 3 pages. Printed Jan. 15, 2016[retrieved on Jul. 20, 2016] <https://sobjprd.questel.fr/export/QPTUJ214/pdf2/af3b871a-ecc8-45a8-a103-d4a6d82a2374-022023.pdf>.*

Primary Examiner — Susan Bennett Hattan

Assistant Examiner — Marie Fast Horse

(74) *Attorney, Agent, or Firm* — Workman Nydegger

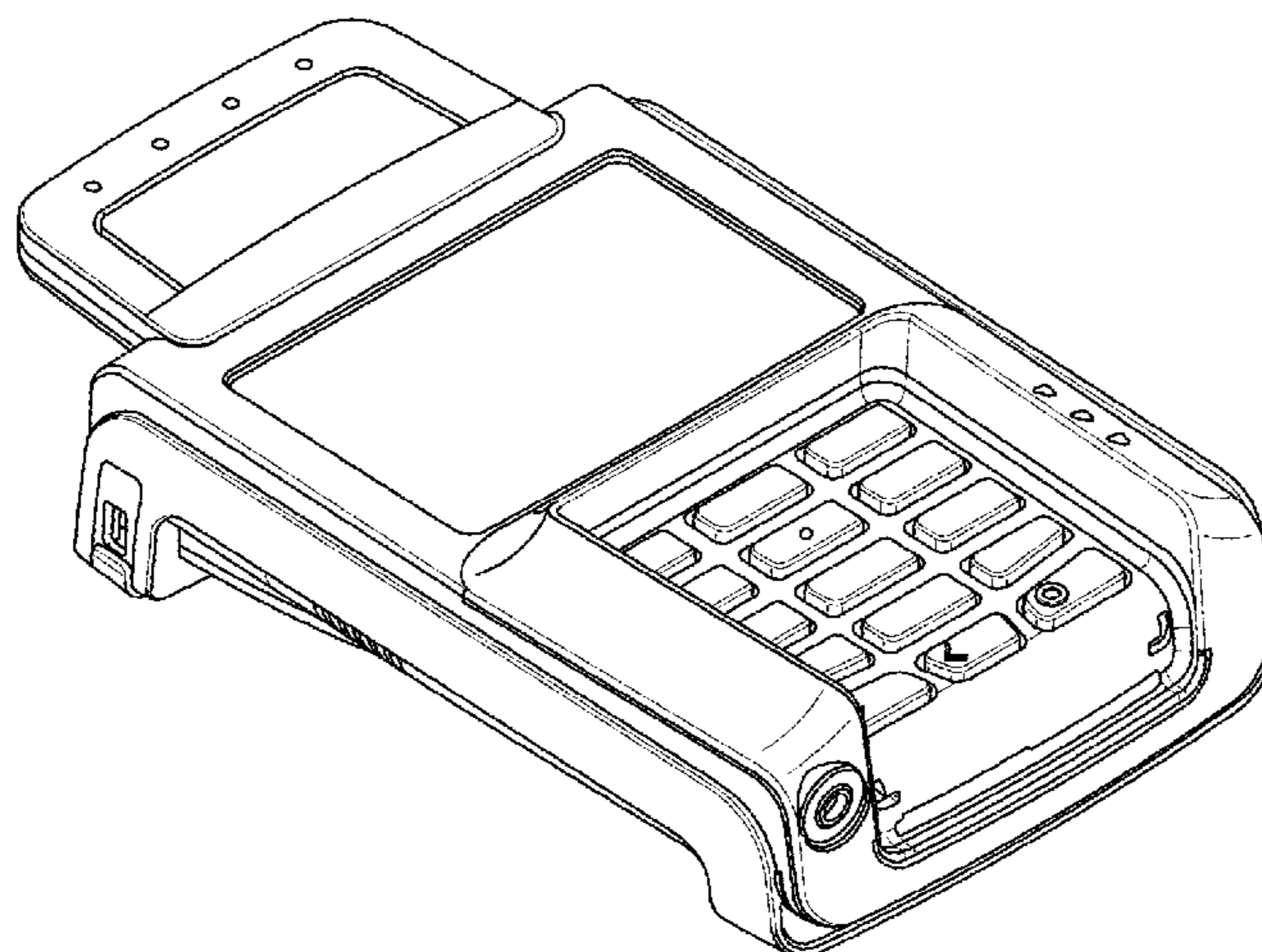
(57) **CLAIM**

The ornamental design for a payment terminal, as shown and described.

DESCRIPTION

FIG. 1 is a perspective view of a payment terminal showing my new design;
FIG. 2 is a top plan view thereof;
FIG. 3 is a left side elevational view thereof;
FIG. 4 is a right side elevational view thereof;
FIG. 5 is a front elevational view thereof;
FIG. 6 is a back elevational view thereof; and,
FIG. 7 is a bottom plan view thereof.
The broken lines in the drawings depict parts of the payment terminal that form no part of the claim.

1 Claim, 6 Drawing Sheets



(56)

References Cited

U.S. PATENT DOCUMENTS

2009/0006209 A1* 1/2009 Sokolowsky G06Q 20/209
705/14.38
2009/0076921 A1* 3/2009 Nelson G06Q 20/20
705/16
2010/0102127 A1* 4/2010 Bonnet H05K 1/0275
235/439
2011/0290881 A1* 12/2011 Shulz G06K 7/01
235/449
2013/0225075 A1* 8/2013 Schmid G06Q 20/12
455/41.1
2015/0097033 A1* 4/2015 Yanko G06K 7/083
235/449
2016/0125703 A1* 5/2016 Berthiaud G06K 7/084
235/380
2016/0125704 A1* 5/2016 Bonnet G07G 1/0018
220/4.02
2016/0188912 A1* 6/2016 Neo G06F 21/87
361/749

* cited by examiner

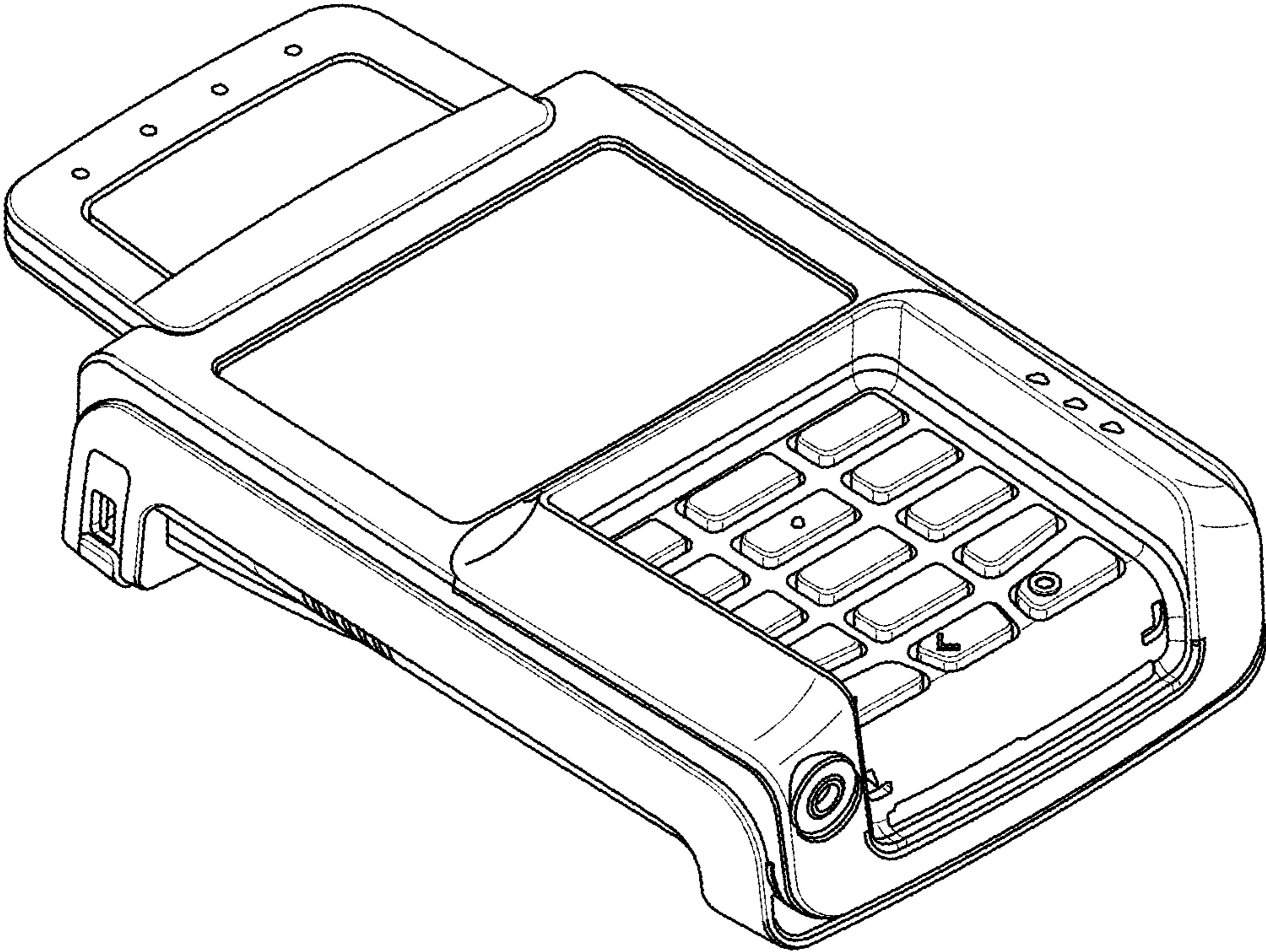


FIG. 1

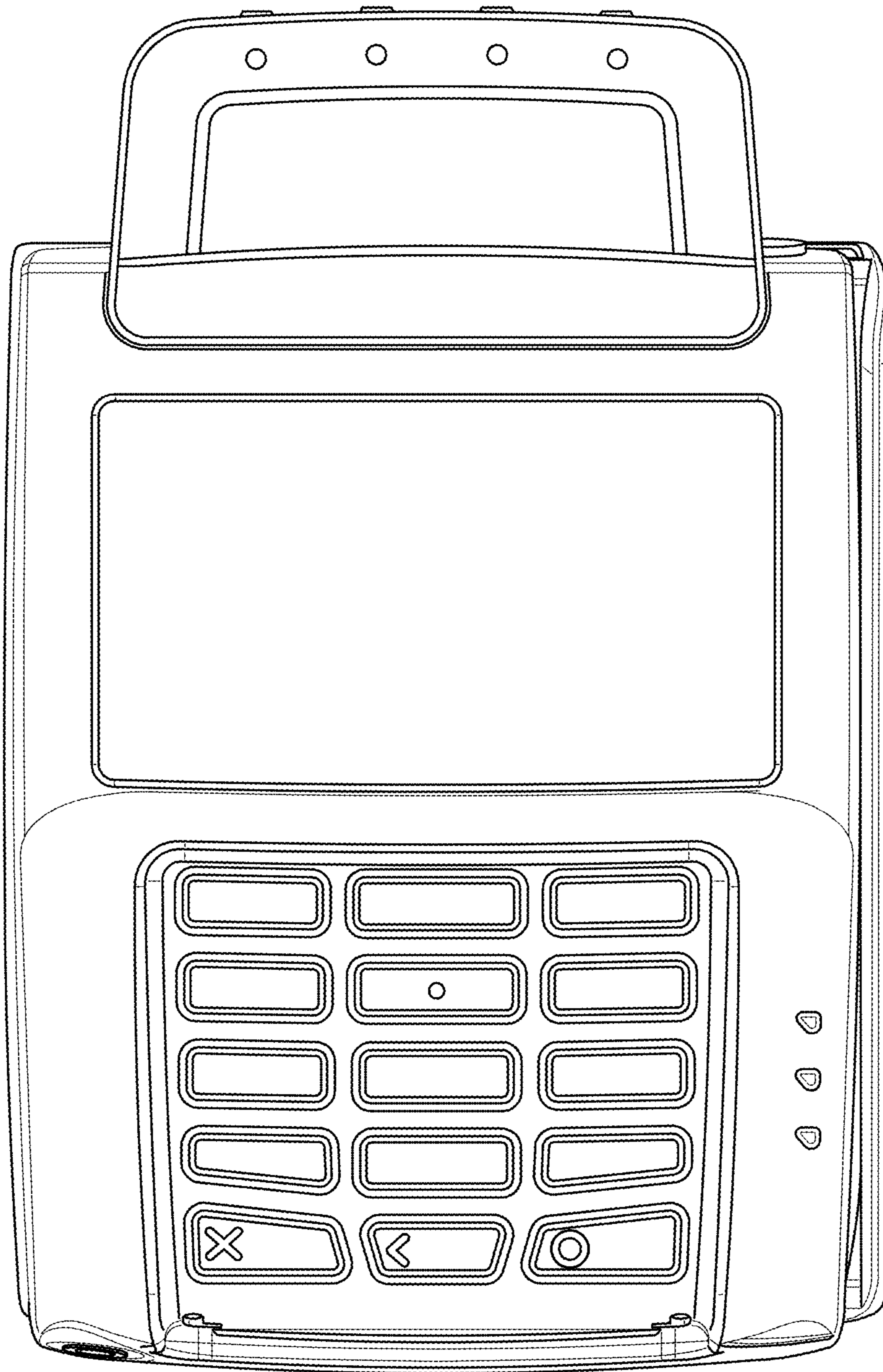


FIG. 2

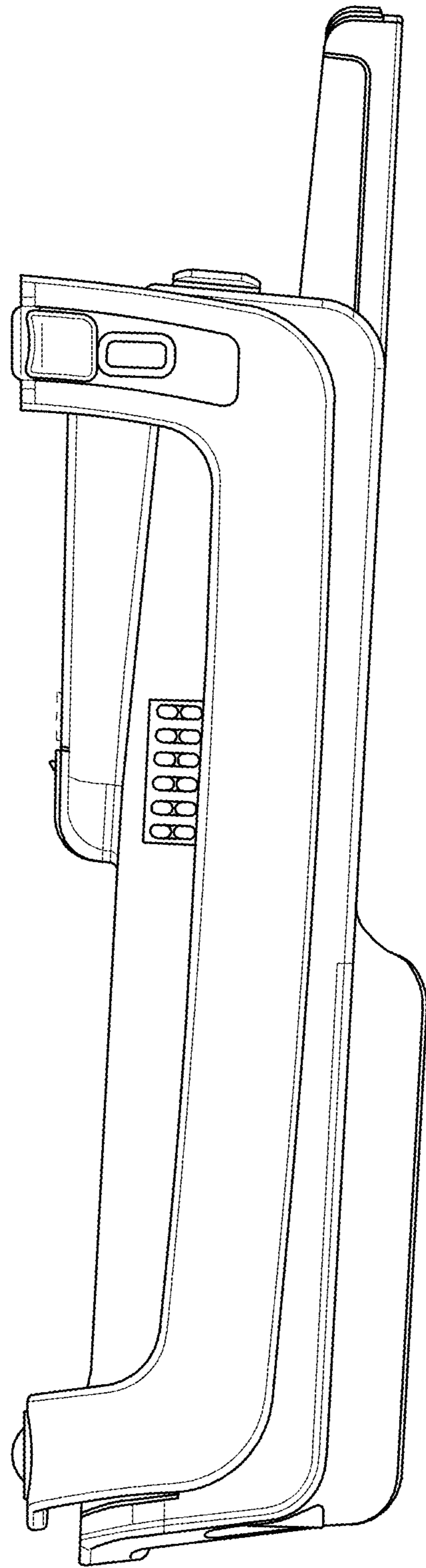


FIG. 3

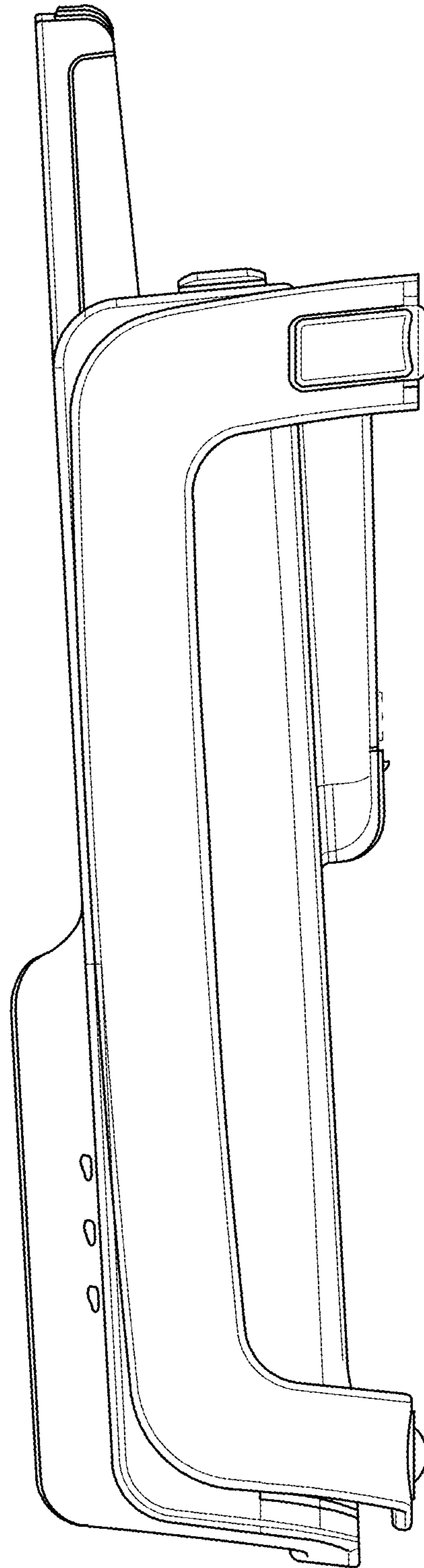


FIG. 4

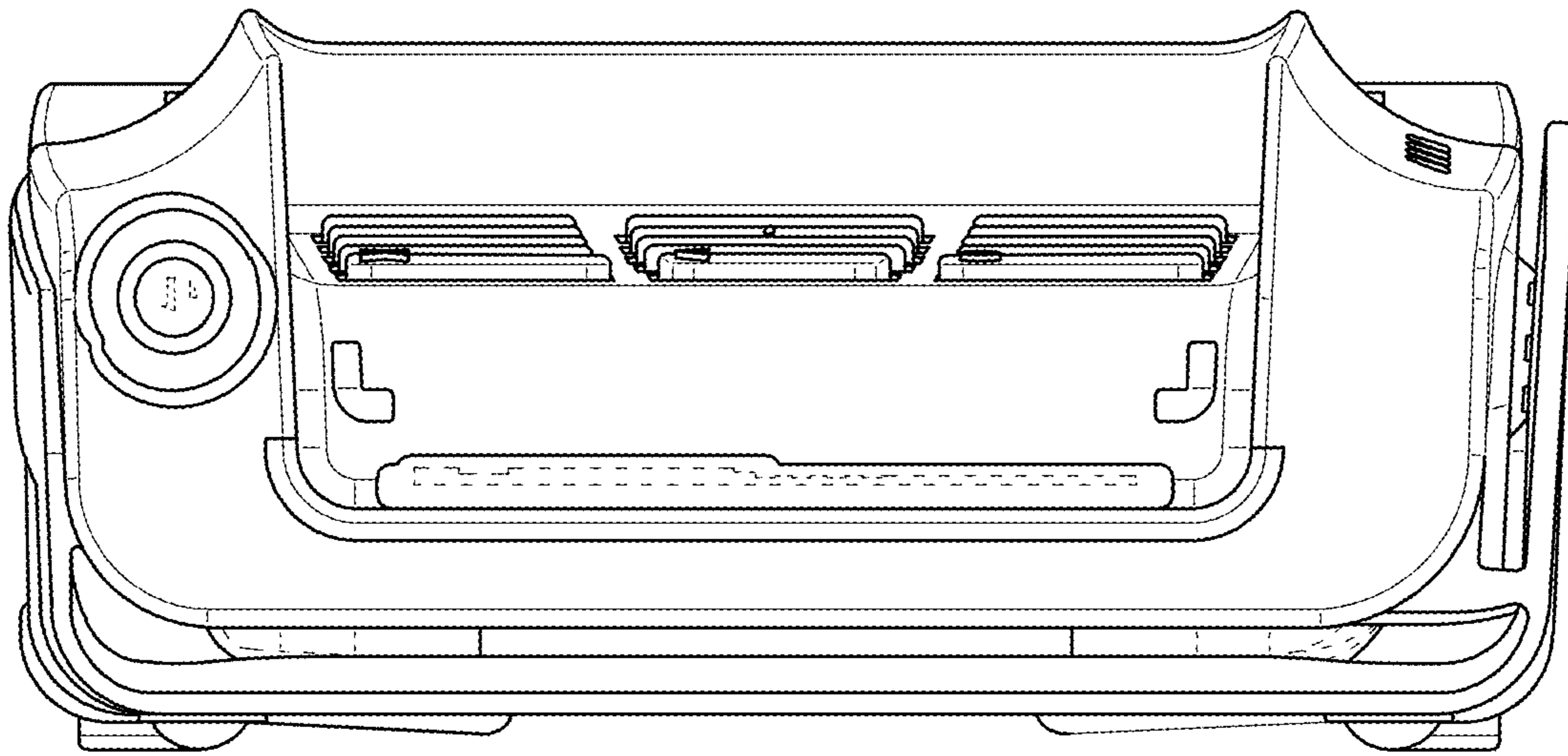


FIG. 5

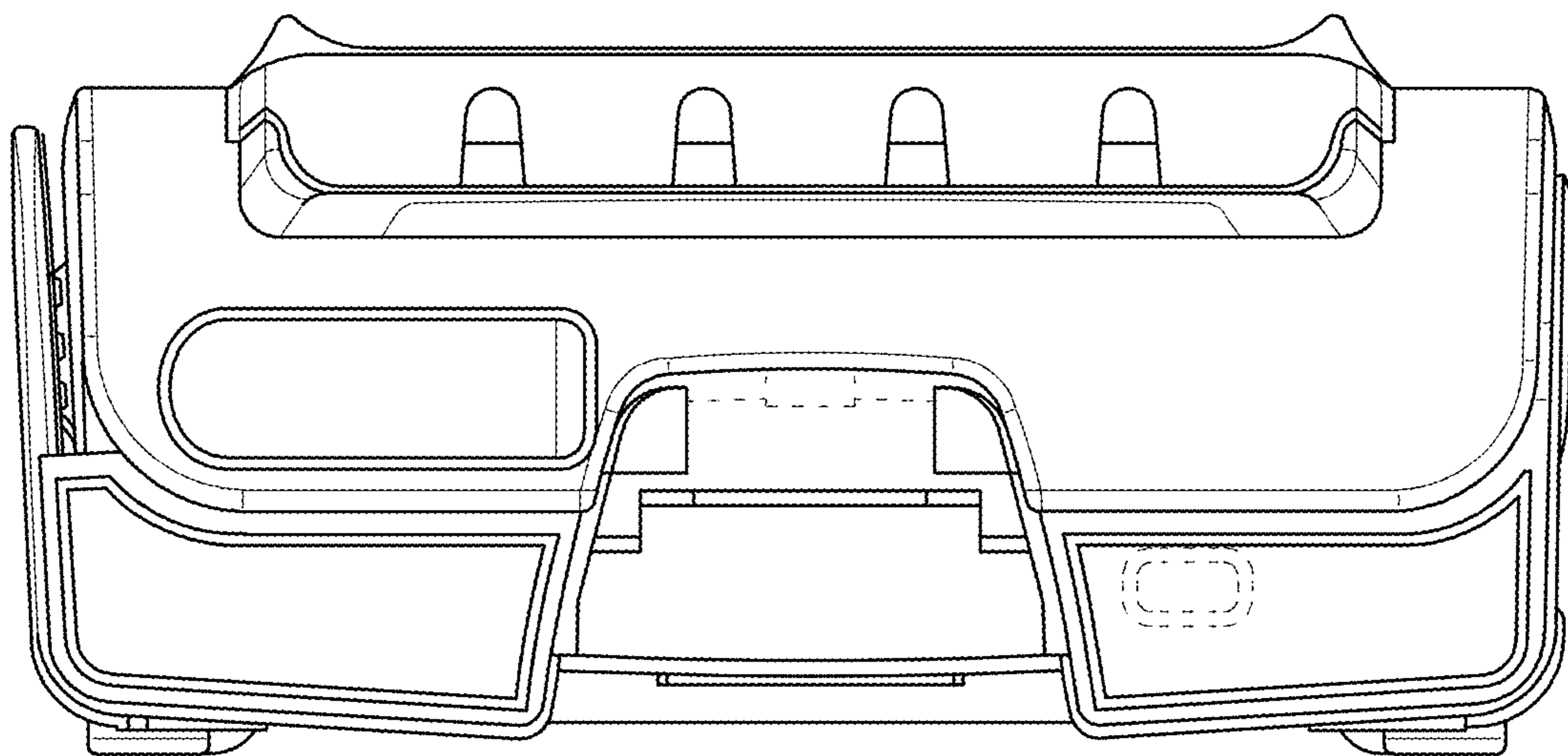


FIG. 6

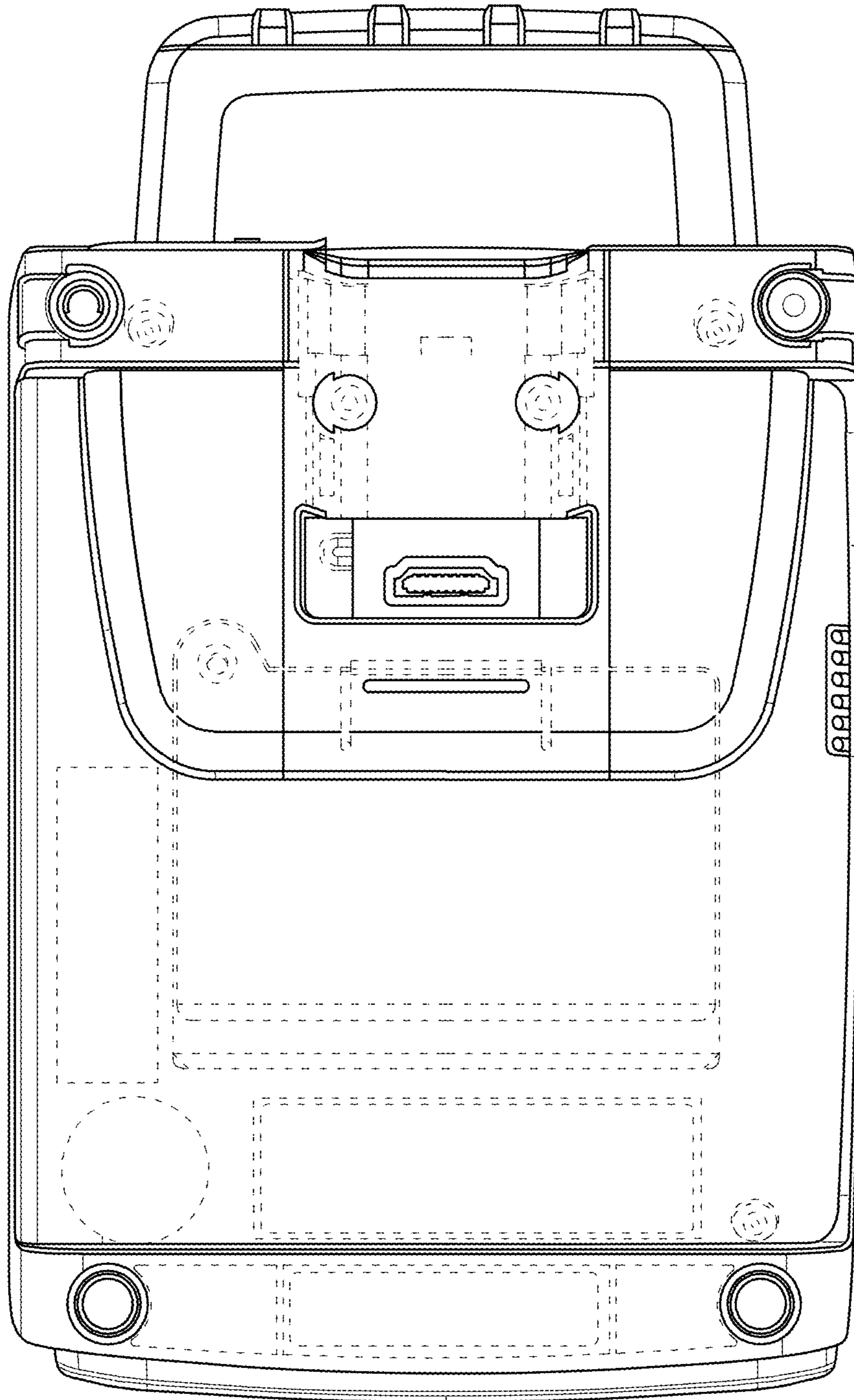


FIG. 7