



US00D791216S

(12) **United States Design Patent**  
**Wang**

(10) **Patent No.:** **US D791,216 S**  
(45) **Date of Patent:** **\*\* Jul. 4, 2017**

(54) **CARRIER**

(71) Applicant: **SZ DJI Osmo Technology Co., Ltd.**,  
Shenzhen (CN)

(72) Inventor: **Zhen Wang**, Shenzhen (CN)

(73) Assignee: **SZI DJI Osmo Technology Co., Ltd.**,  
Shenzhen (CN)

(\*\*) Term: **15 Years**

(21) Appl. No.: **29/556,284**

(22) Filed: **Feb. 29, 2016**

**Related U.S. Application Data**

(63) Continuation of application No. 29/479,219, filed on  
Jan. 13, 2014, now Pat. No. Des. 754,242.

(51) **LOC (10) Cl.** ..... **16-05**

(52) **U.S. Cl.**

USPC ..... **D16/242**

(58) **Field of Classification Search**

USPC ..... D16/200, 204, 208, 213–219, 235,  
D16/237–250

CPC ..... G03B 17/02; G03B 17/04; G03B 17/14;  
G03B 17/05; G03B 21/20–21/20666;  
G03B 15/041–15/0436; G03B 17/56;  
F16M 11/14; F16M 11/16; F16M 11/32

See application file for complete search history.

(56) **References Cited**

**U.S. PATENT DOCUMENTS**

D292,982 S \* 12/1987 Nakatani ..... D16/245  
4,955,568 A \* 9/1990 O'Connor ..... F16M 11/10  
248/183.3  
D323,339 S \* 1/1992 Ishikawa ..... D16/245  
D432,153 S \* 10/2000 Cooper ..... D16/237  
D564,010 S \* 3/2008 Dordick ..... D16/242  
D564,567 S \* 3/2008 Dordick ..... D16/242  
D630,240 S \* 1/2011 Torbitt ..... D16/245

D653,692 S \* 2/2012 Dordick ..... D16/242  
D754,242 S \* 4/2016 Wang ..... D16/242  
D771,733 S \* 11/2016 Wang ..... D16/242  
2012/0160980 A1 \* 6/2012 Wang ..... F16M 11/10  
248/405  
2015/0097950 A1 \* 4/2015 Wang ..... H04N 5/23287  
348/144

**OTHER PUBLICATIONS**

DJI Zenmuse Z15-A7 Sony A7S/A7R Professional Aerial Gimbal.  
[online] Published date unknown. Retrieved on Feb. 13, 2017 from  
<URL: <https://www.urbantoy.com.au/product/dji-zenmuse-z15-a7-sony-a7s-a7r-professional-aerial-gimbal/>>.\*

DJI Drops Price on Phantom 3 Pro Models in Advance of Rumored  
Phantom 4. [online] Published date Feb. 16, 2016. Retrieved on Feb.  
16, 2017 from <URL: <http://www.gadgetguru.com/dji-drops-phantom-3-professional/>>.\*

\* cited by examiner

*Primary Examiner* — Vy Koenig

*Assistant Examiner* — Omeed Agilee

(74) *Attorney, Agent, or Firm* — Sterne, Kessler,  
Goldstein & Fox P.L.L.C.

(57) **CLAIM**

The ornamental design for a carrier, as shown and described.

**DESCRIPTION**

FIG. 1 is a top front perspective view of a carrier showing  
the claimed design;

FIG. 2 is a front view thereof;

FIG. 3 is a rear view thereof;

FIG. 4 is a left side view thereof;

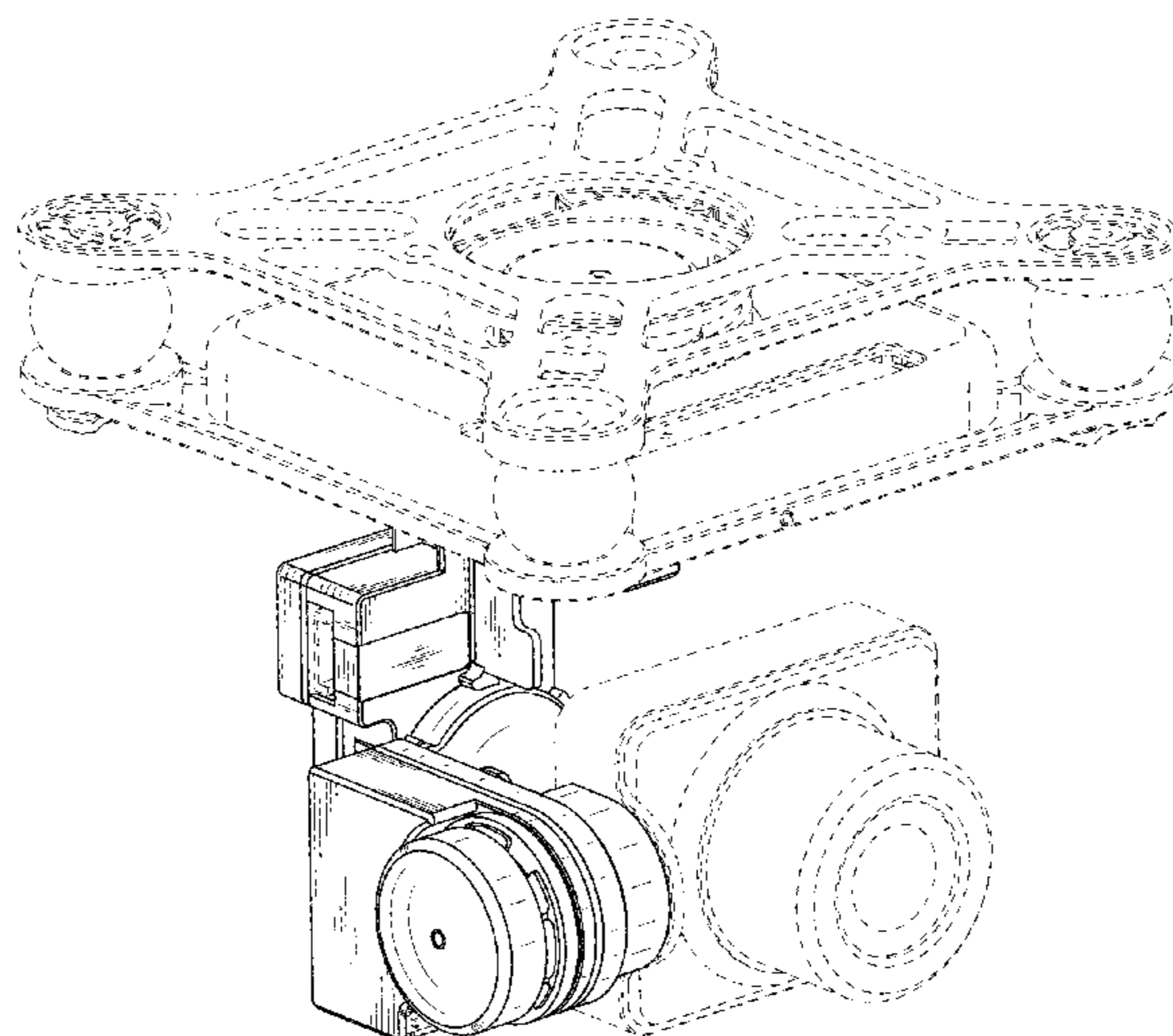
FIG. 5 is a right side view thereof;

FIG. 6 is a top view thereof; and,

FIG. 7 is a bottom view thereof.

The broken lines in the figures show portions of the carrier  
and environment that form no part of the claimed design.

**1 Claim, 7 Drawing Sheets**



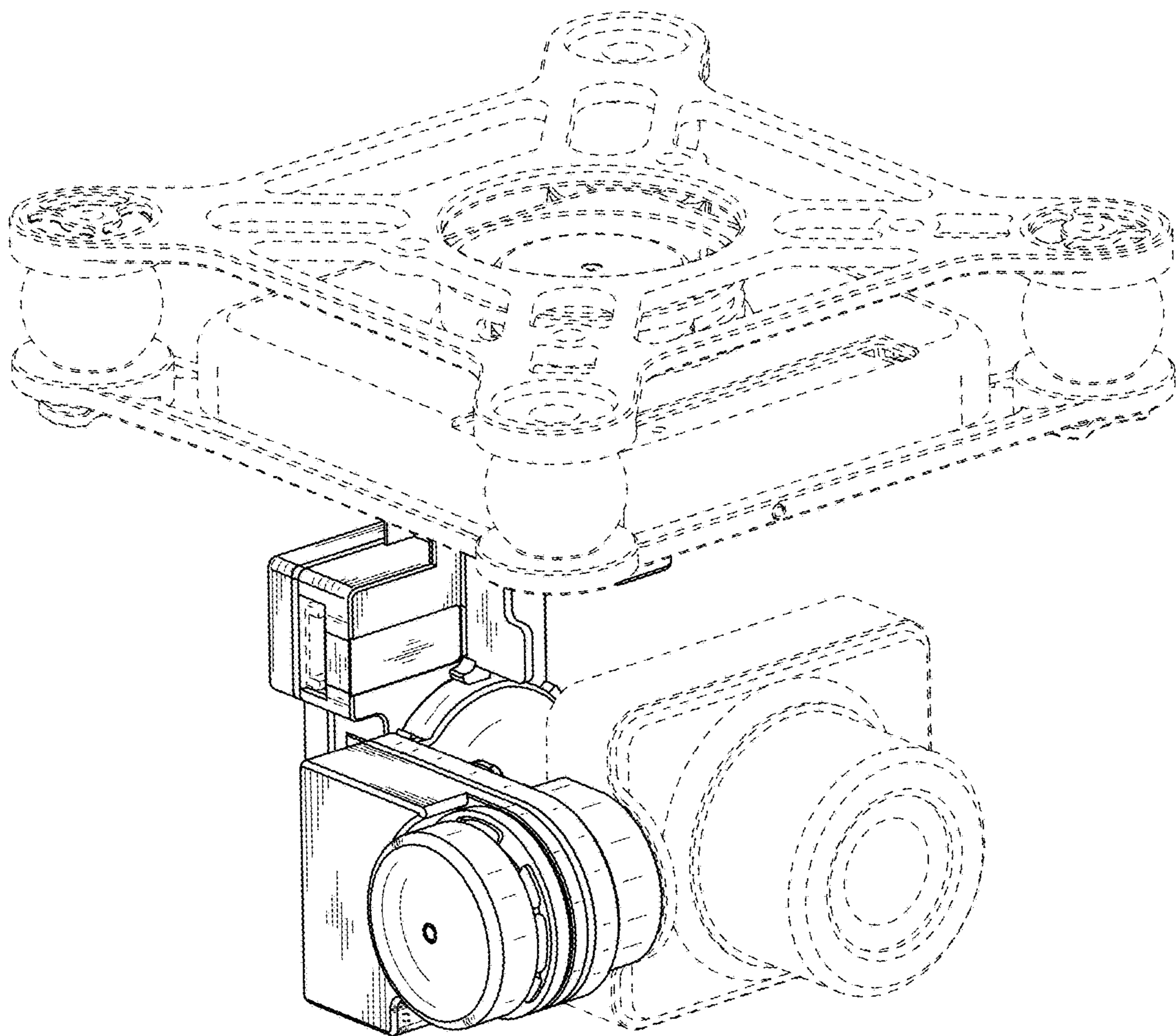


FIG. 1

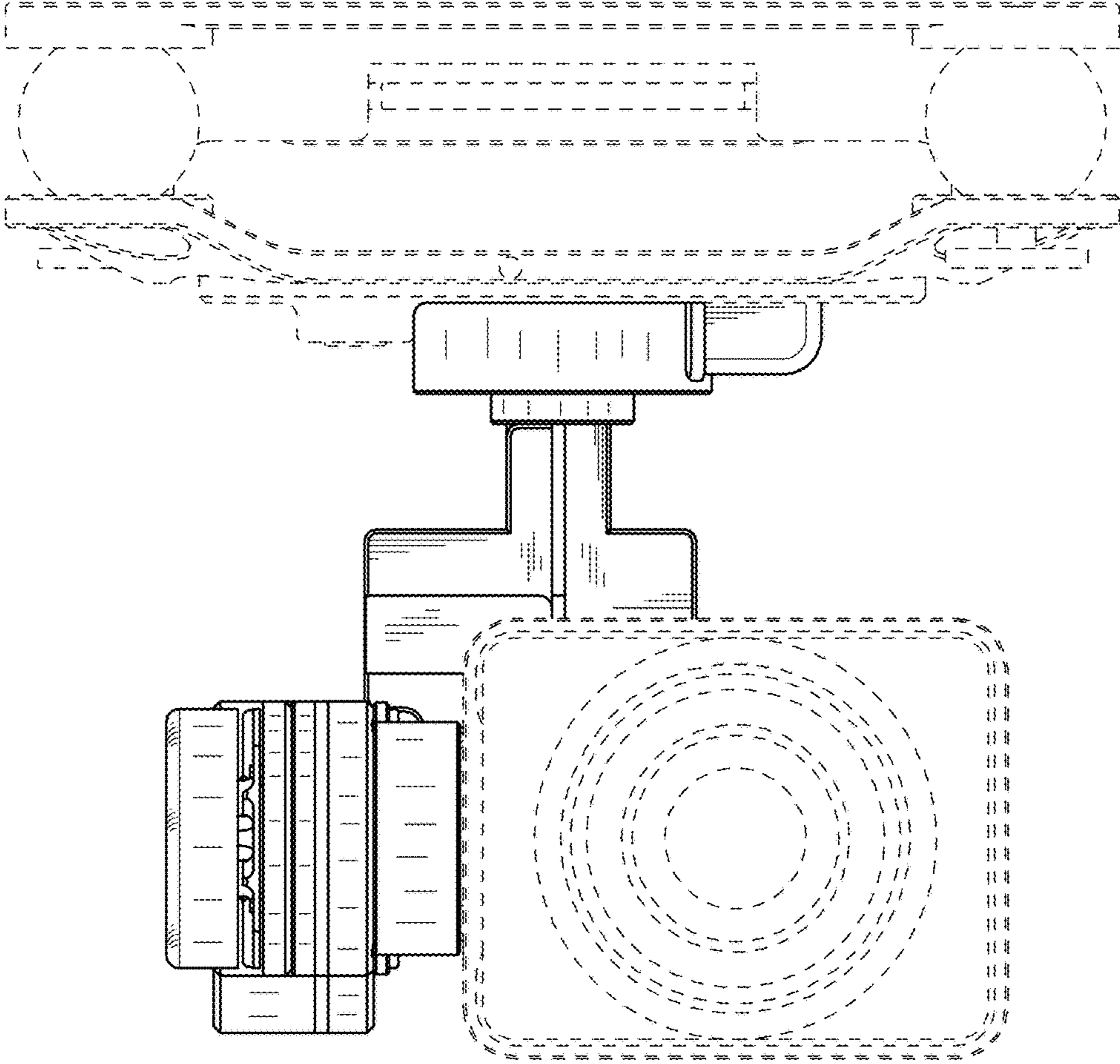


FIG. 2

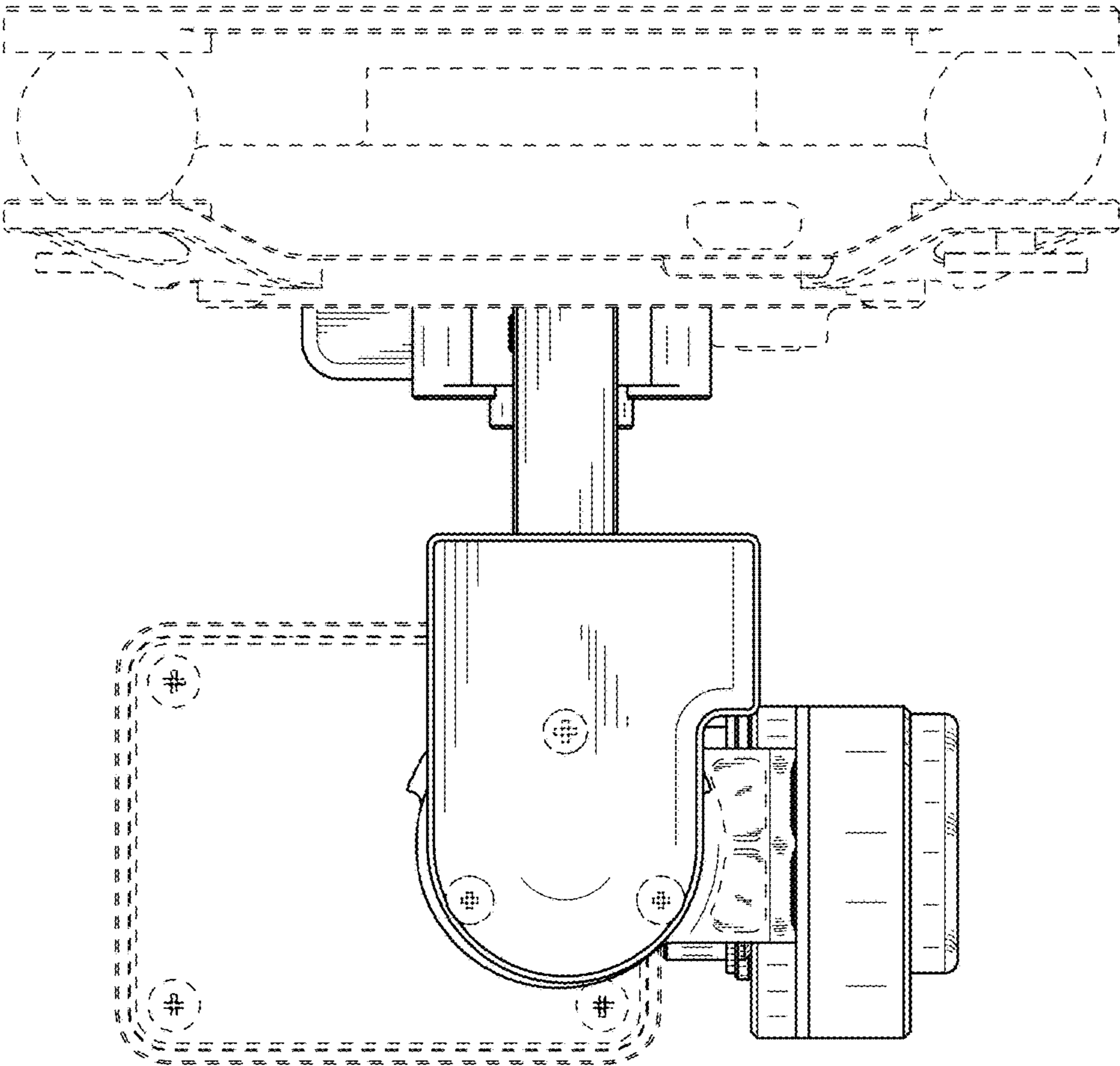


FIG. 3



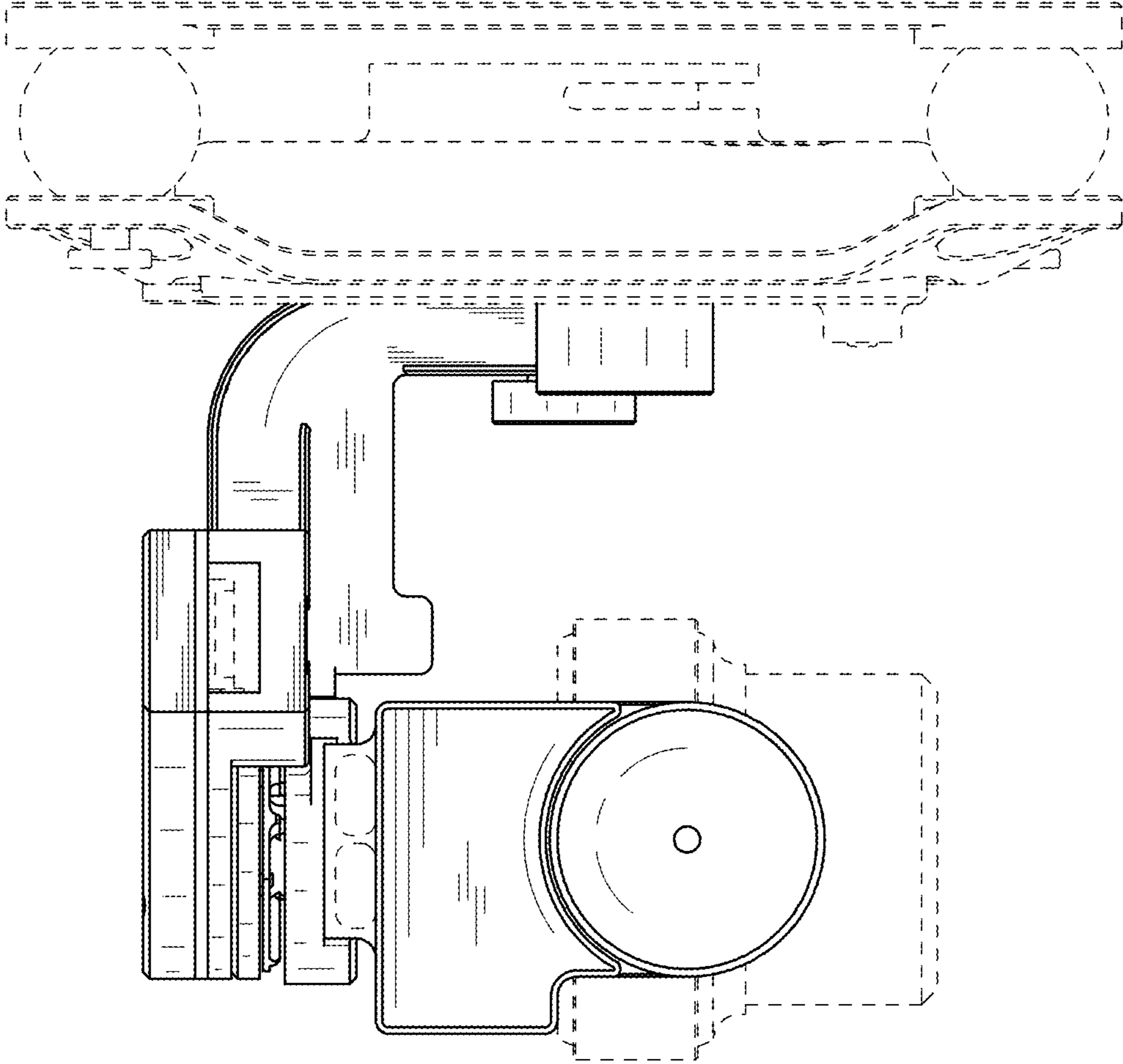


FIG. 4

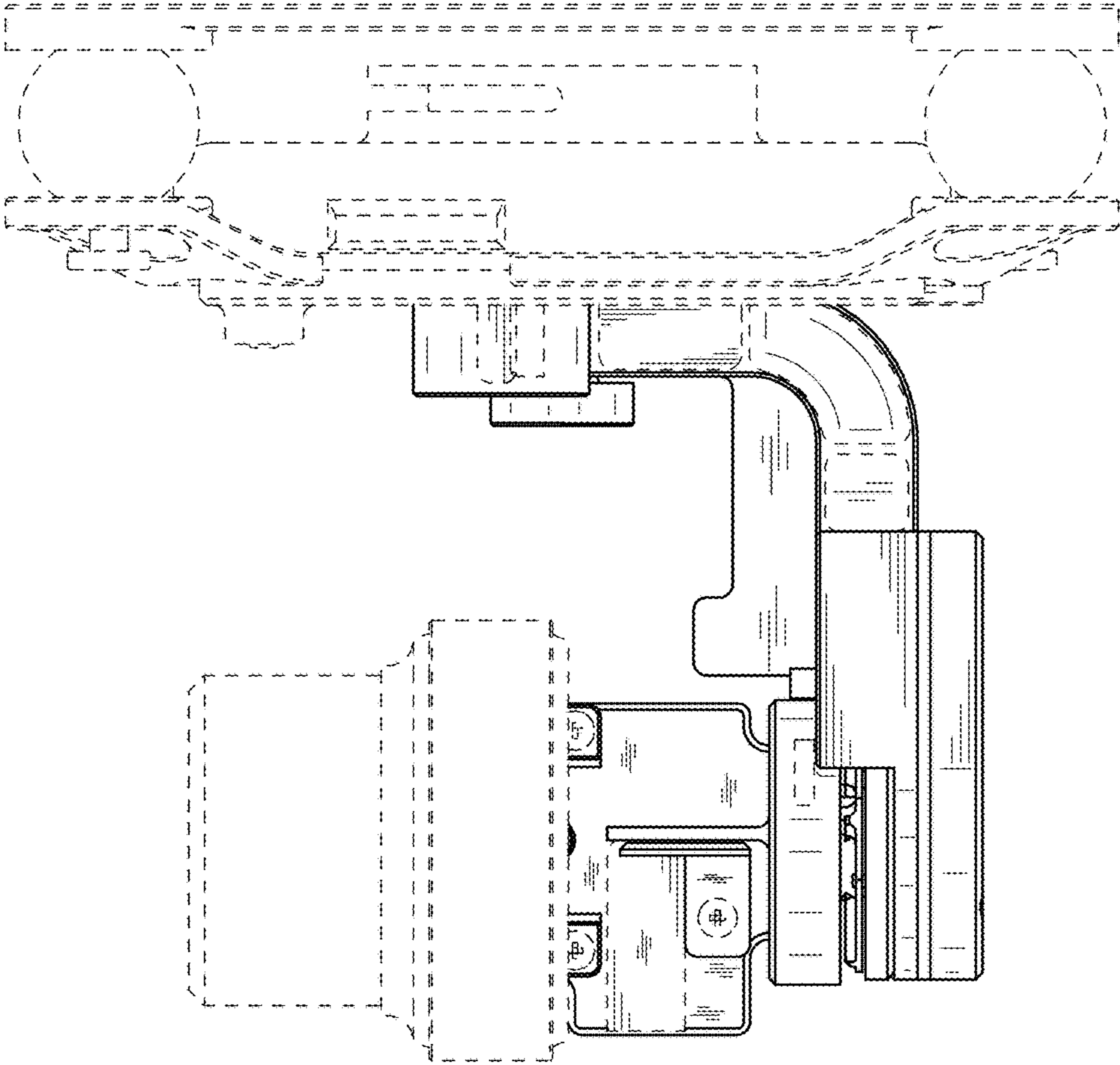


FIG. 5

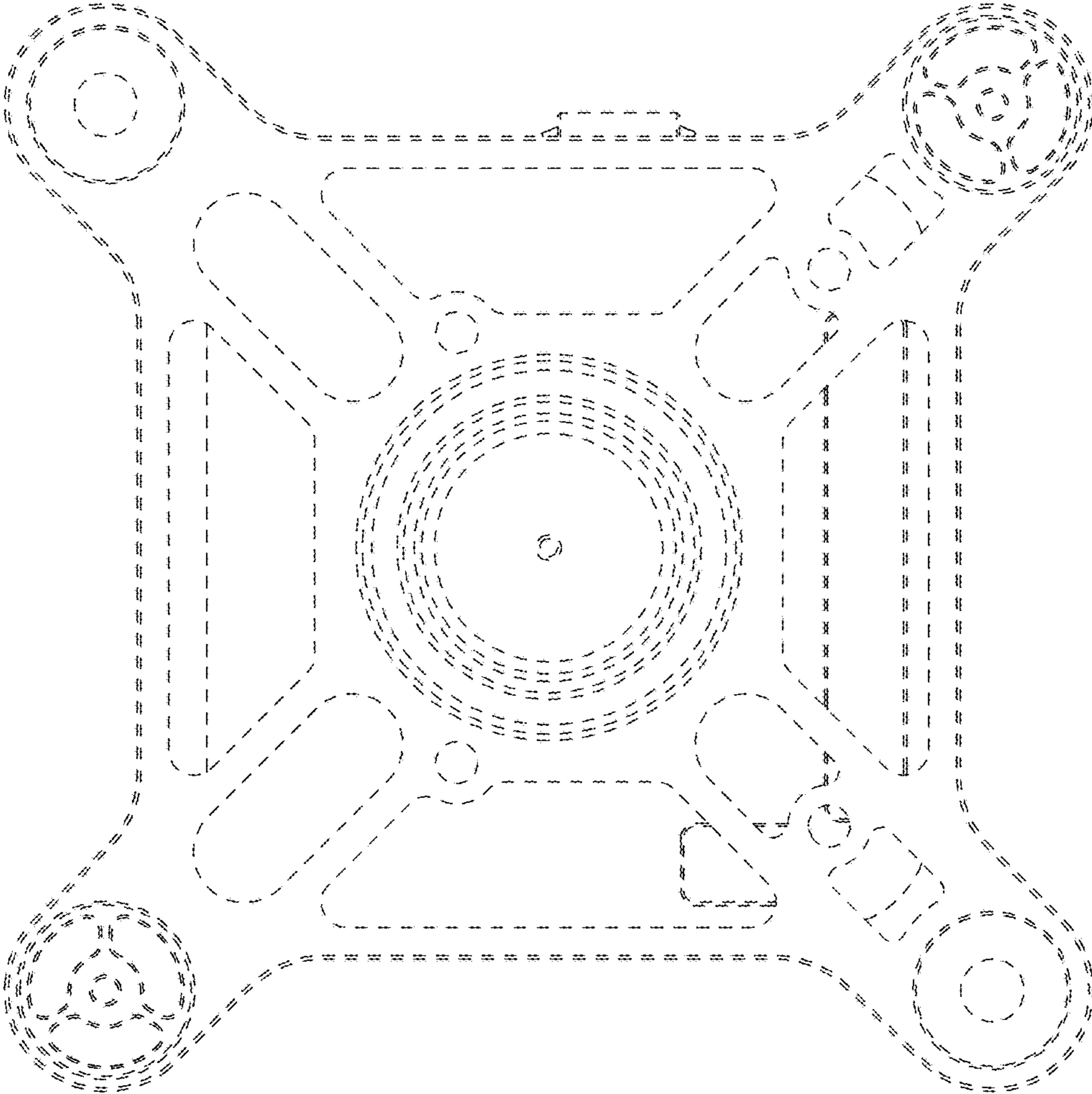


FIG. 6

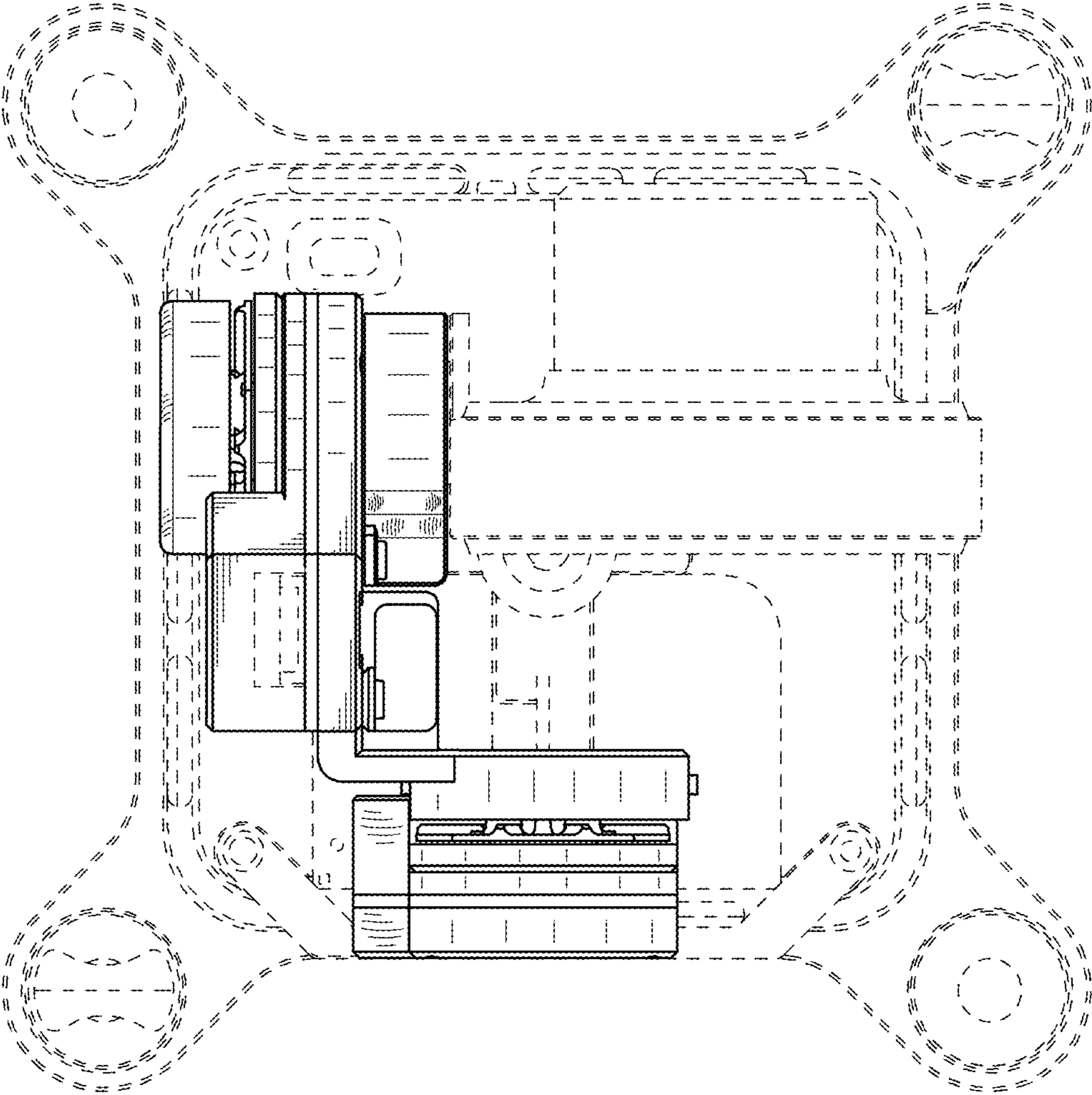


FIG.7