



US00D791213S

(12) **United States Design Patent**
Seo et al.

(10) **Patent No.: US D791,213 S**
(45) **Date of Patent: ** Jul. 4, 2017**

(54) **PROJECTOR**

(71) Applicant: **LG ELECTRONICS INC.**, Seoul
(KR)

(72) Inventors: **Minji Seo**, Seoul (KR); **Yoonkyeong Lee**, Seoul (KR); **Sangik Lee**, Seoul (KR); **Byungmu Huh**, Seoul (KR)

(73) Assignee: **LG ELECTRONICS INC.**, Seoul
(KR)

(**) Term: **15 Years**

(21) Appl. No.: **29/553,140**

(22) Filed: **Jan. 28, 2016**

(30) **Foreign Application Priority Data**

Jul. 29, 2015 (KR) 30-2015-0038179

(51) **LOC (10) Cl.** **16-02**

(52) **U.S. Cl.**
USPC **D16/225**; D16/230

(58) **Field of Classification Search**
USPC D21/514
CPC G03B 21/00; G03B 21/001; G03B 21/003;
G03B 21/14; G03B 21/145; G03B 21/28
See application file for complete search history.

(56) **References Cited**

U.S. PATENT DOCUMENTS

D597,581 S * 8/2009 Sakamaki D16/225
D614,684 S * 4/2010 Inoue D16/225
D708,250 S * 7/2014 Park D16/230
D710,925 S * 8/2014 Tabuchi D16/230

D711,454 S * 8/2014 Fujii D16/225
D719,207 S * 12/2014 Chen D16/230
D730,425 S * 5/2015 Tabuchi D16/225
D730,972 S * 6/2015 Georges D16/230

* cited by examiner

Primary Examiner — Randall Gholson

(74) *Attorney, Agent, or Firm* — Birch, Stewart, Kolasch
& Birch, LLP

(57) **CLAIM**

The ornamental design for a projector, as shown and described.

DESCRIPTION

FIG. 1 is a front, right side, perspective view of a projector showing our new design;
FIG. 2 is a front view thereof;
FIG. 3 is a rear view thereof;
FIG. 4 is a left side view thereof;
FIG. 5 is a right side view thereof;
FIG. 6 is a top view thereof; and,
FIG. 7 is a bottom view thereof.

1 Claim, 3 Drawing Sheets

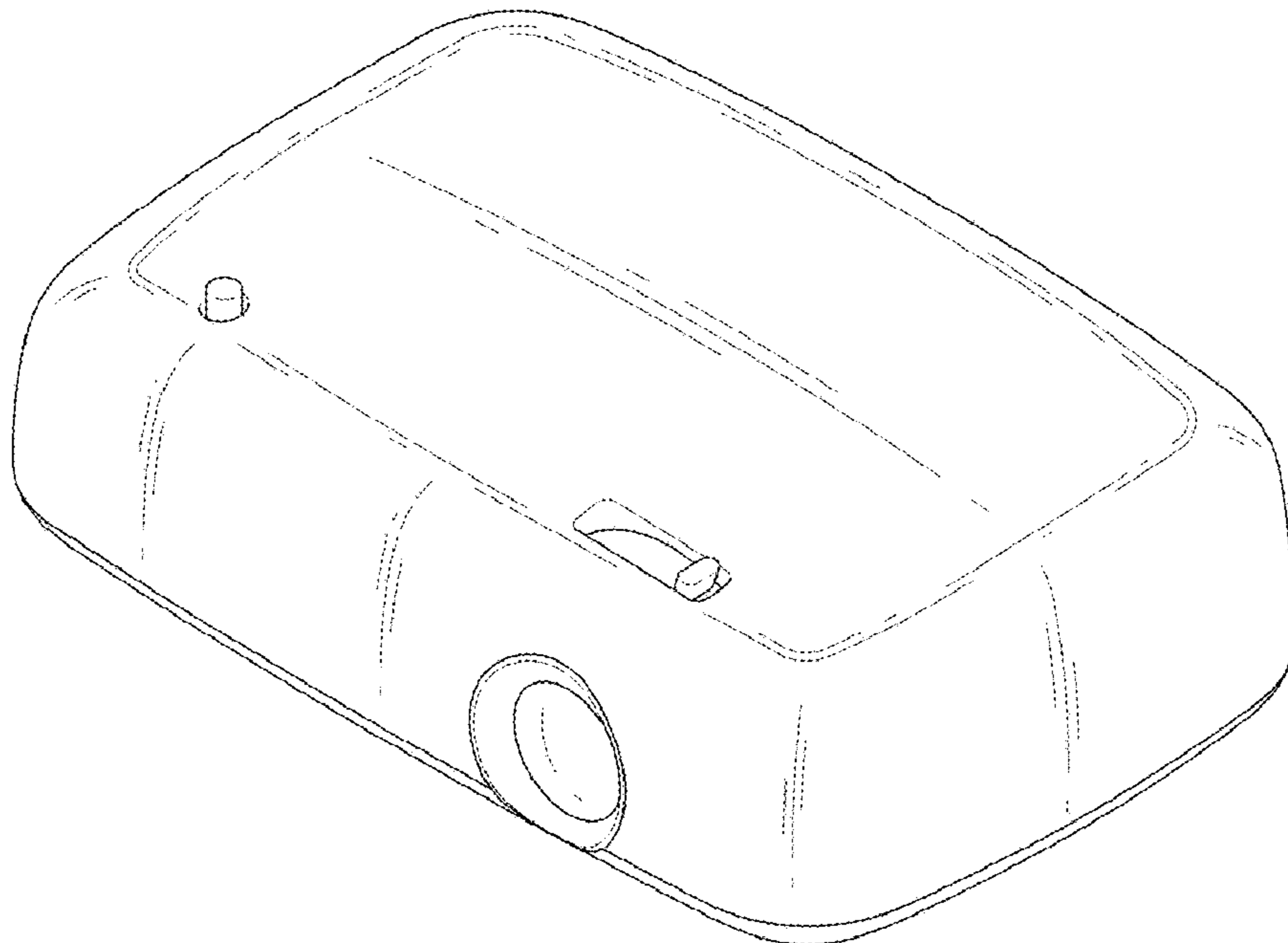


FIG. 1

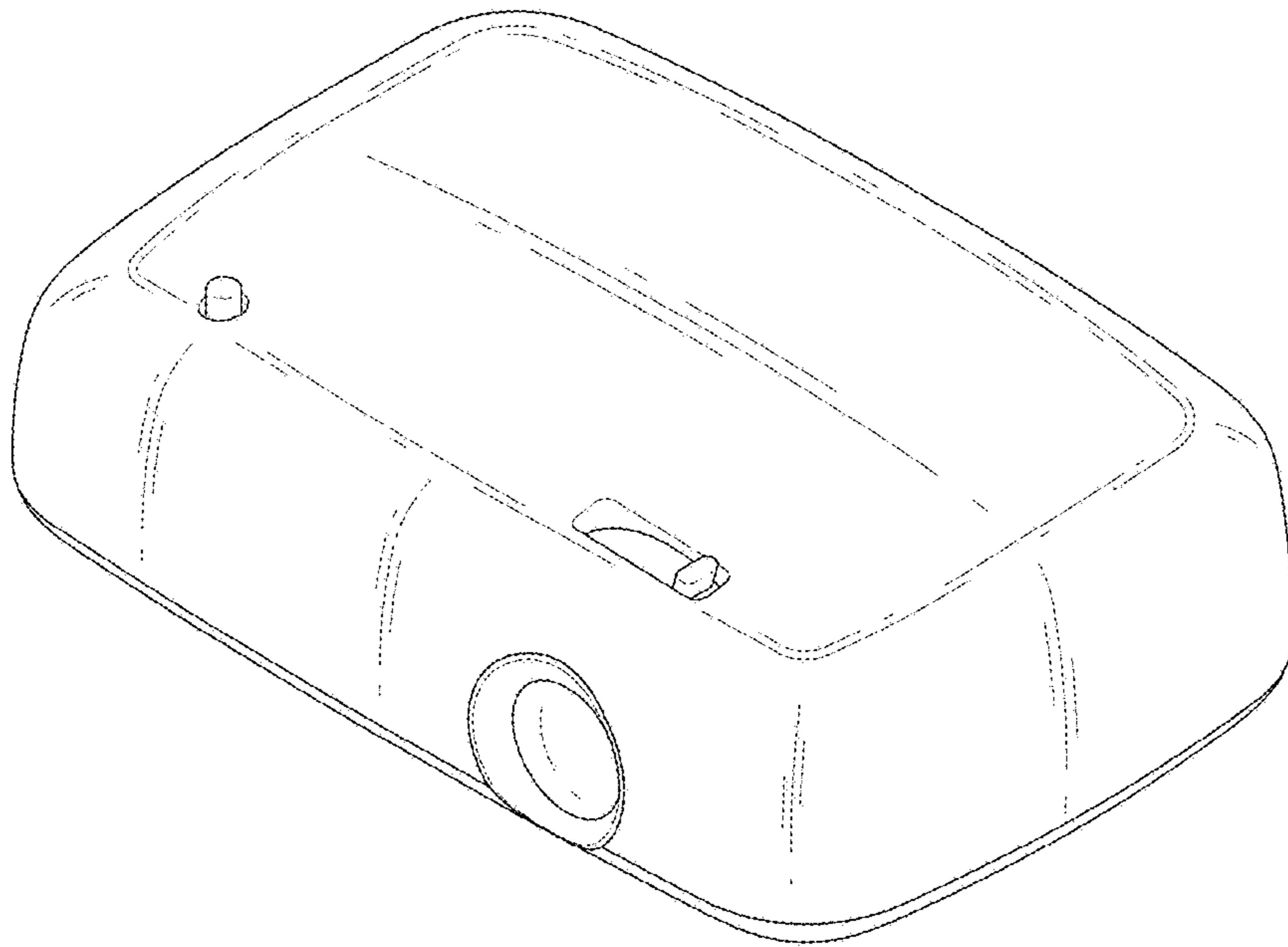


FIG. 2

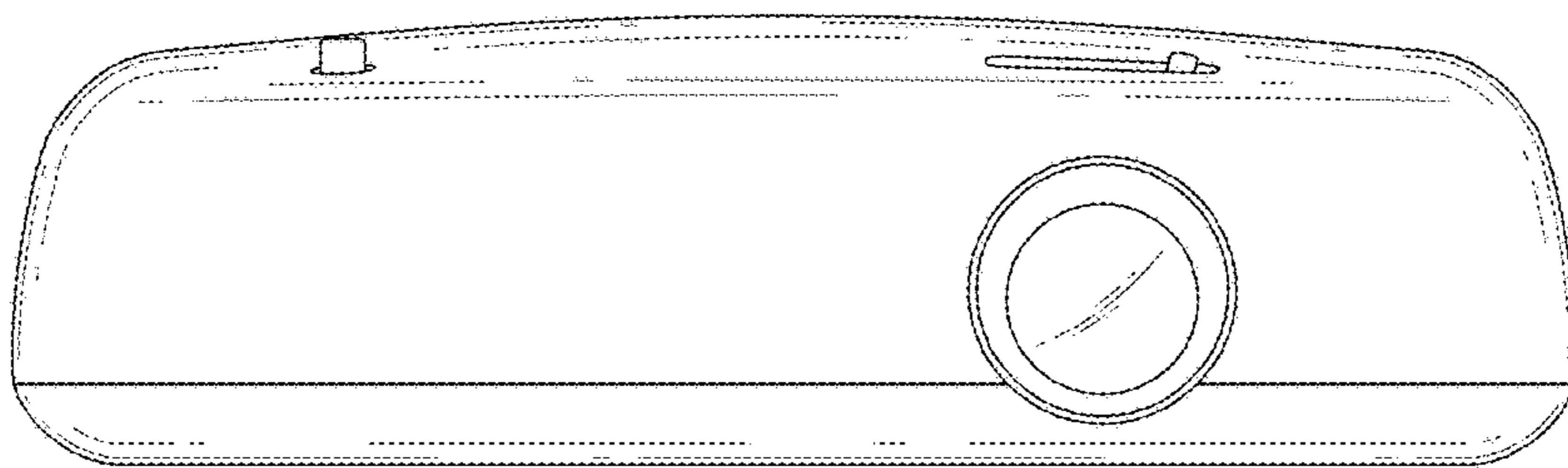


FIG. 3

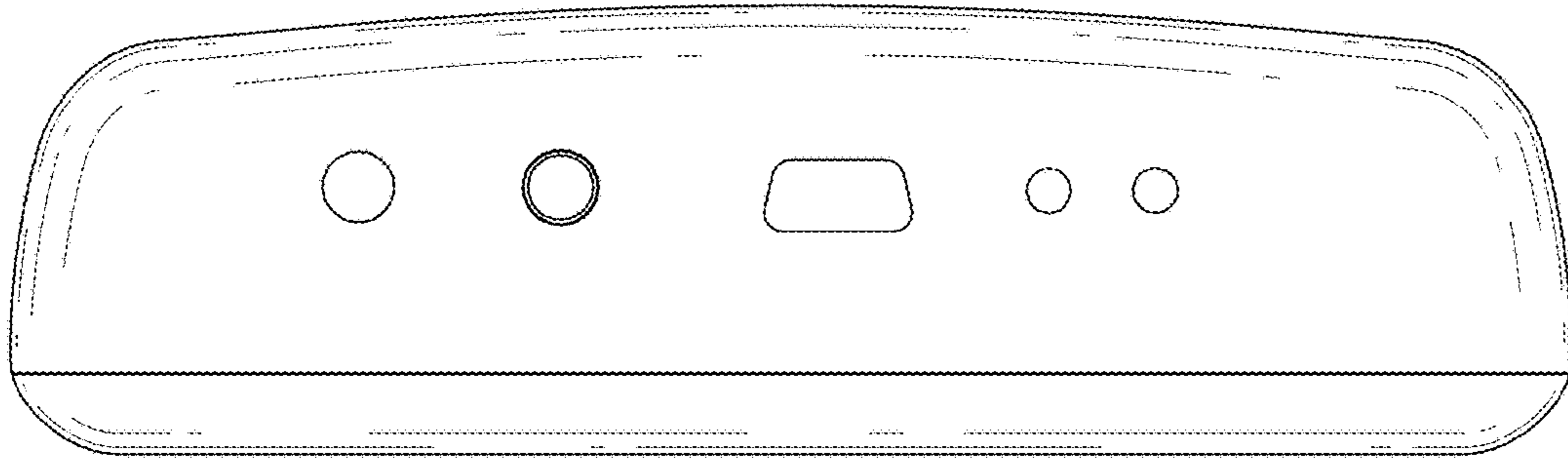


FIG. 4

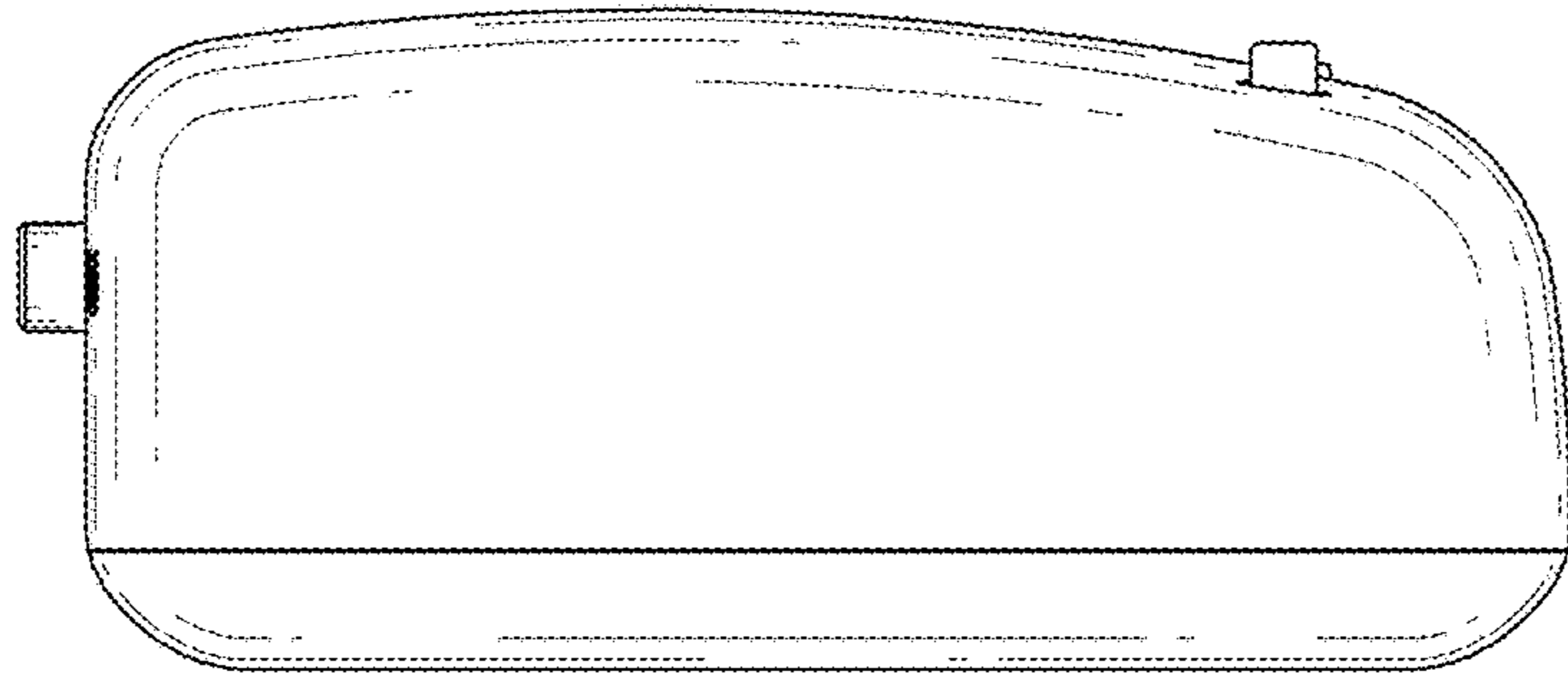


FIG. 5

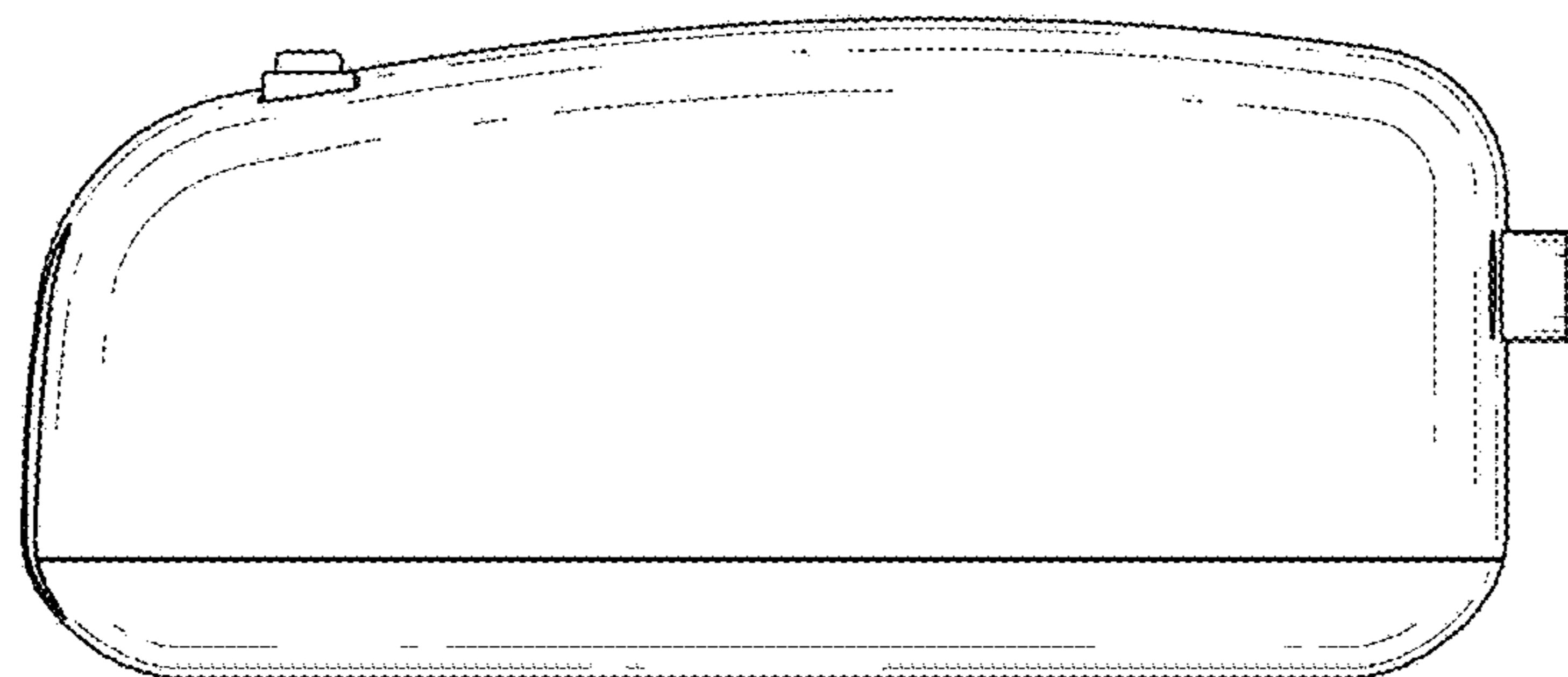


FIG. 6

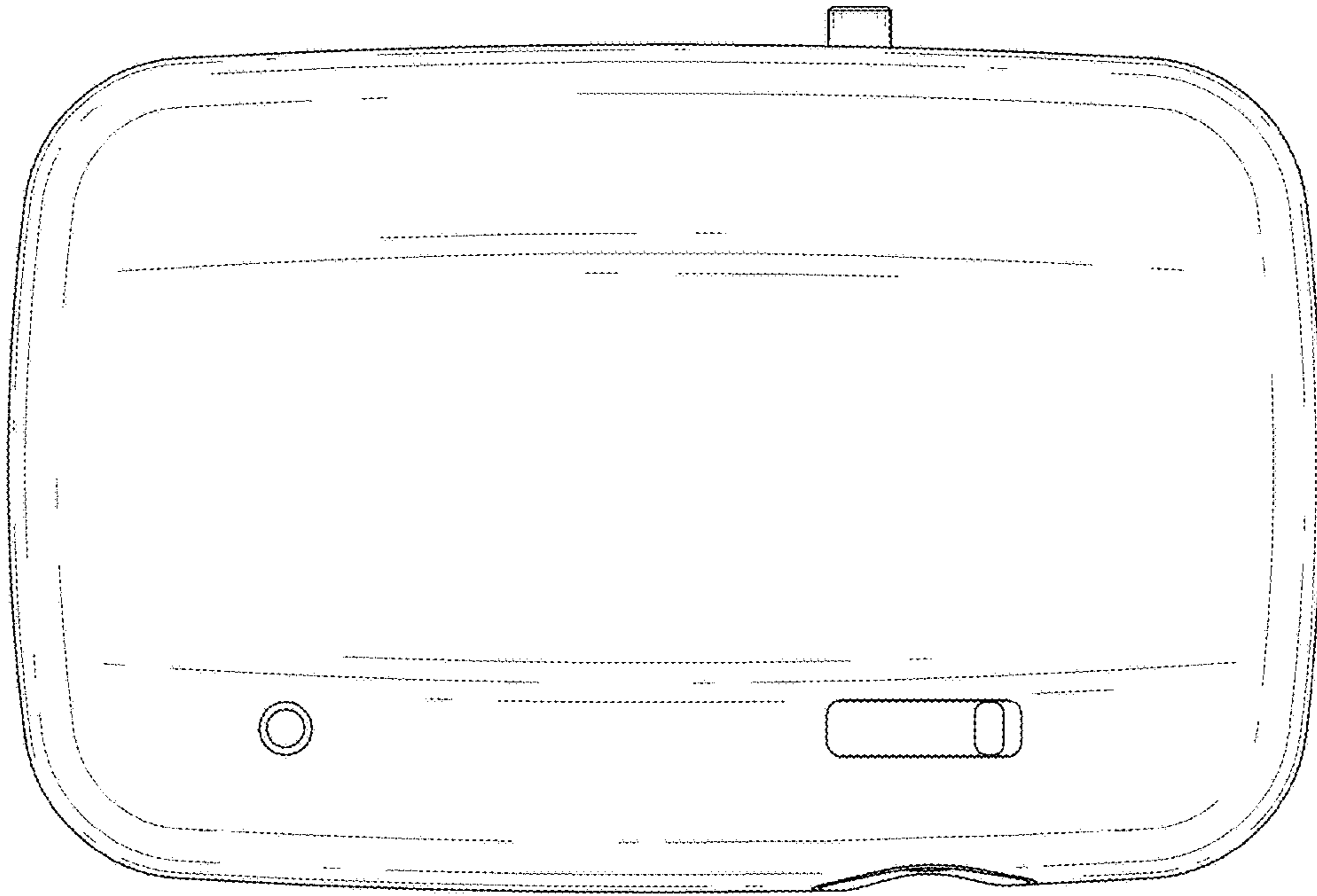


FIG. 7

