



US00D791211S

(12) **United States Design Patent**
Fujita et al.

(10) **Patent No.:** **US D791,211 S**
(45) **Date of Patent:** **** Jul. 4, 2017**

(54) **DIGITAL CAMERA**

- (71) Applicant: **Nikon Corporation**, Tokyo (JP)
- (72) Inventors: **Chikara Fujita**, Tokyo (JP); **Hiroyuki Asano**, Tokyo (JP)
- (73) Assignee: **Nikon Corporation**, Tokyo (JP)
- (**) Term: **15 Years**
- (21) Appl. No.: **29/569,139**
- (22) Filed: **Jun. 23, 2016**

(30) **Foreign Application Priority Data**

- Dec. 25, 2015 (JP) 2015-029007
- (51) **LOC (10) Cl.** **16-05**
- (52) **U.S. Cl.**
USPC **D16/219**
- (58) **Field of Classification Search**
USPC D16/200, 202-206, 208, 218, 219;
348/373-376; 396/535, 539-541
CPC G03B 15/03; G03B 17/02; G03B 17/04;
G03B 17/56; G03B 19/04; H04N 5/2251;
H04N 5/2252; H04N 5/2253; H04N
5/2254; H04N 2101/00
See application file for complete search history.

(56) **References Cited**

U.S. PATENT DOCUMENTS

- D113,220 S * 2/1939 Crumrine D16/218
- D480,741 S * 10/2003 Berger D16/202
- 6,718,129 B1 * 4/2004 Cornell G03B 17/02
396/176
- 6,788,887 B2 9/2004 Takeshita et al.
- D504,904 S * 5/2005 Nagai D16/203
- D524,837 S * 7/2006 Chen D16/202
- D551,275 S * 9/2007 Kim D16/202
- D594,047 S * 6/2009 Lee D16/202
- D614,223 S * 4/2010 Kim D16/202

(Continued)

FOREIGN PATENT DOCUMENTS

- JP 1088744 S 10/2000
- JP 1088745 S 10/2000

(Continued)

OTHER PUBLICATIONS

[No Author Listed]. "Hands-On With Bub1cam's Spherical Video Camera." Posted Aug. 26, 2014. AOL Inc. Accessed online: <http://techcrunch.com/2014/08/26/hands-on-with-bub1cams-spherical-video-camera>. Last accessed: Jun. 14, 2016, pp. 1-6.

(Continued)

Primary Examiner — Philip S Hyder
Assistant Examiner — Ramzi Almatrahi
(74) *Attorney, Agent, or Firm* — Wolf, Greenfield & Sacks, P.C.

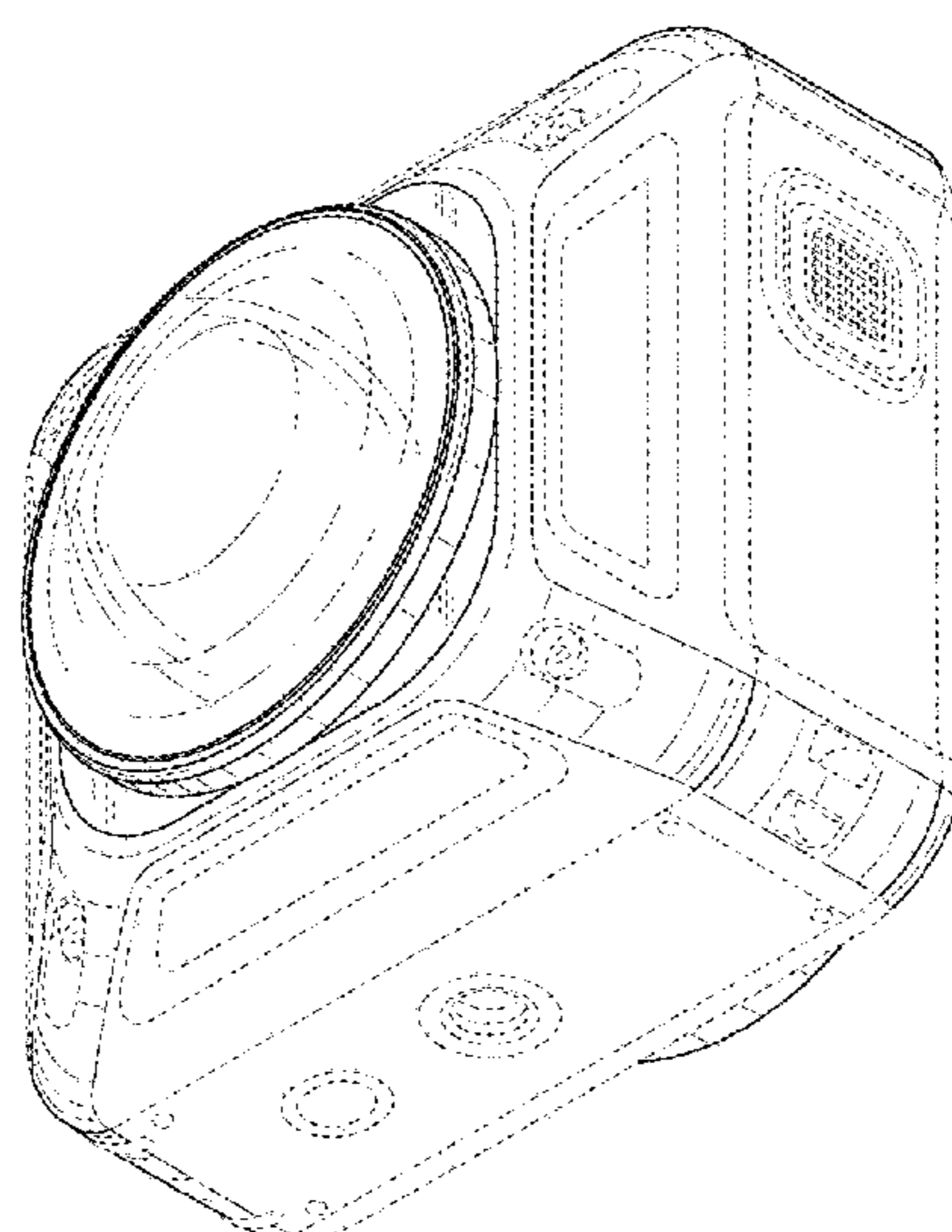
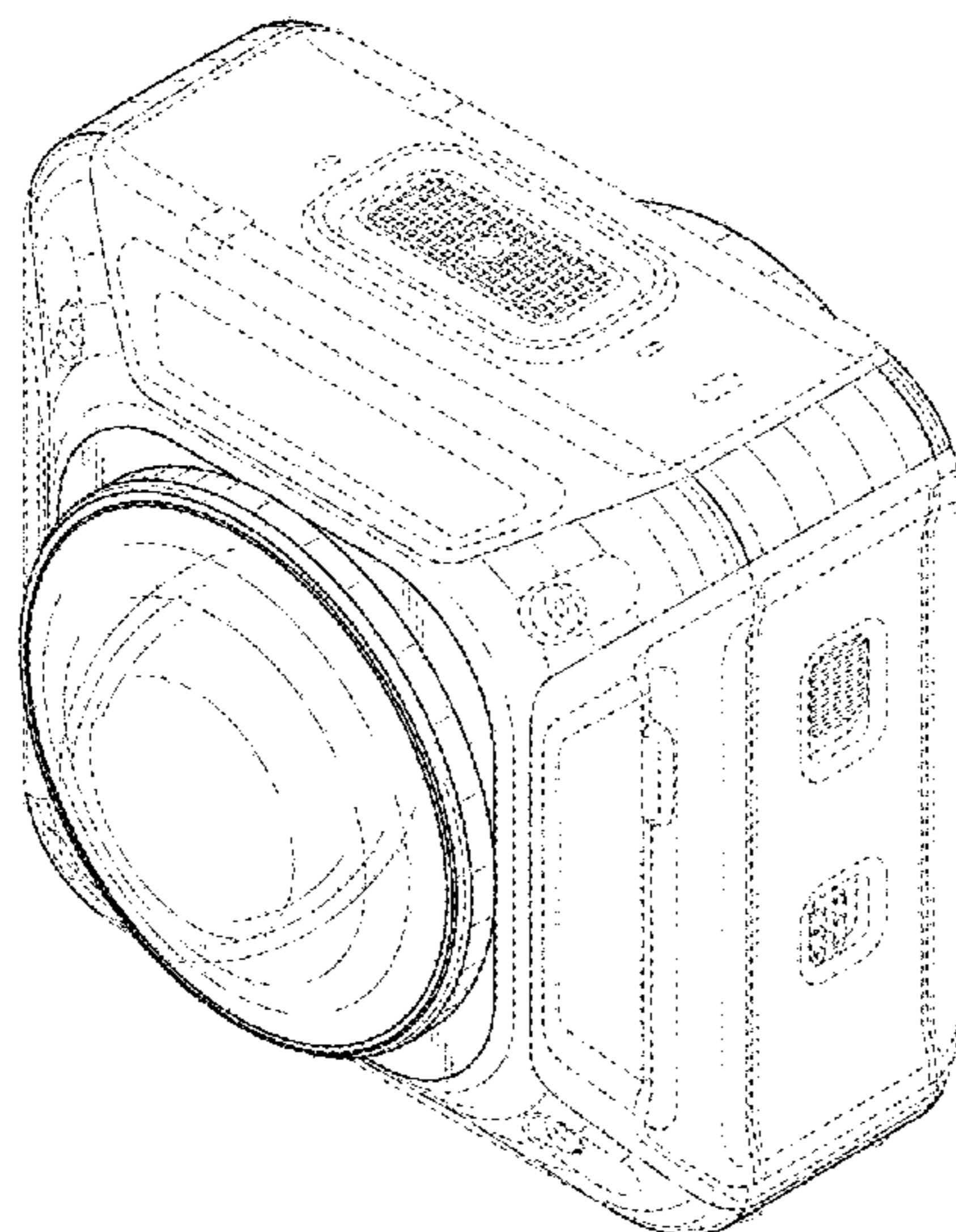
(57) **CLAIM**

The ornamental design for a digital camera, as shown and described.

DESCRIPTION

FIG. 1 is a front, top and right side perspective view of a digital camera showing our new design;
FIG. 2 is a rear, bottom and left side perspective view thereof;
FIG. 3 is a front elevational view thereof;
FIG. 4 is a rear elevational view thereof;
FIG. 5 is a top plan view thereof;
FIG. 6 is a bottom plan view thereof;
FIG. 7 is a right side elevational view thereof; and,
FIG. 8 is a left side elevational view thereof.
The broken lines illustrate portions of the digital camera and form no part of the claimed design. The dash-dotted lines denote the boundary of the claim and form no part of the claimed design.

1 Claim, 8 Drawing Sheets



(56)

References Cited

U.S. PATENT DOCUMENTS

| | | | |
|--------------|---------|------------------|---------|
| D721,395 S | 1/2015 | Woodman et al. | |
| D725,169 S | 3/2015 | Gioscia et al. | |
| D733,784 S * | 7/2015 | Yamashita | D16/218 |
| D737,356 S * | 8/2015 | Tabuchi | D16/218 |
| D744,572 S * | 12/2015 | Tabuchi | D16/218 |
| D750,686 S | 3/2016 | Chen | |
| 9,282,226 B2 | 3/2016 | Samuels et al. | |
| D754,767 S * | 4/2016 | Sandy | D16/202 |
| D754,768 S * | 4/2016 | Patulski | D16/202 |
| D755,270 S | 5/2016 | Vehlewald et al. | |
| D760,309 S | 6/2016 | Parfitt et al. | |
| D769,346 S | 10/2016 | Nguyen et al. | |
| D773,546 S | 12/2016 | Nguyen et al. | |
| D777,232 S | 1/2017 | Lillquist et al. | |

FOREIGN PATENT DOCUMENTS

| | | |
|----|-----------|---------|
| JP | 1088746 S | 10/2000 |
| JP | 1480863 S | 10/2013 |
| JP | 1496295 S | 5/2014 |

OTHER PUBLICATIONS

[No Author Listed]. "Exclusive sales of Kodak brand camera in Japan—Release of '360-degree action camera'." Posted Oct. 23, 2014. Maspro Denkoh Corp. Accessed online: http://www.maspro.co.jp/new_prod/sp360/index.html. Last accessed: Jun. 14, 2016, pp. 1-5.

[No Author Listed]. "New release super-wide angle video camera, QBic MS-1 of Elmo Co., Ltd." Posted Feb. 12, 2014. AOL Online Japan, Ltd. Accessed online: <http://japanese.engadget.com/2014/02/12/qbic-ms-1>. Last accessed: Jun. 14, 2016, pp. 1-7.

Office Action for U.S. Appl. No. 29/569,142, mailed May 3, 2017.

* cited by examiner

FIG. 1

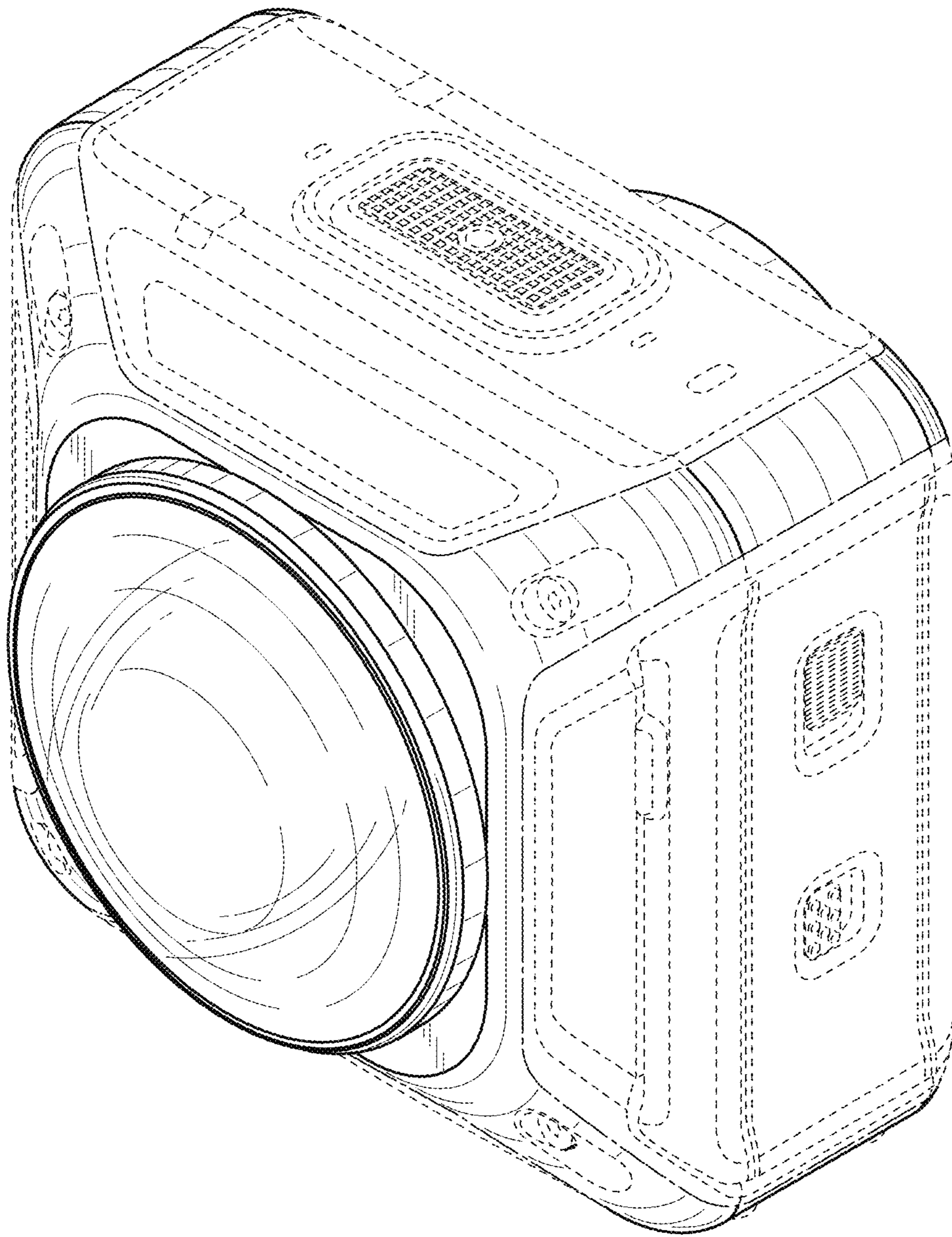


FIG. 2

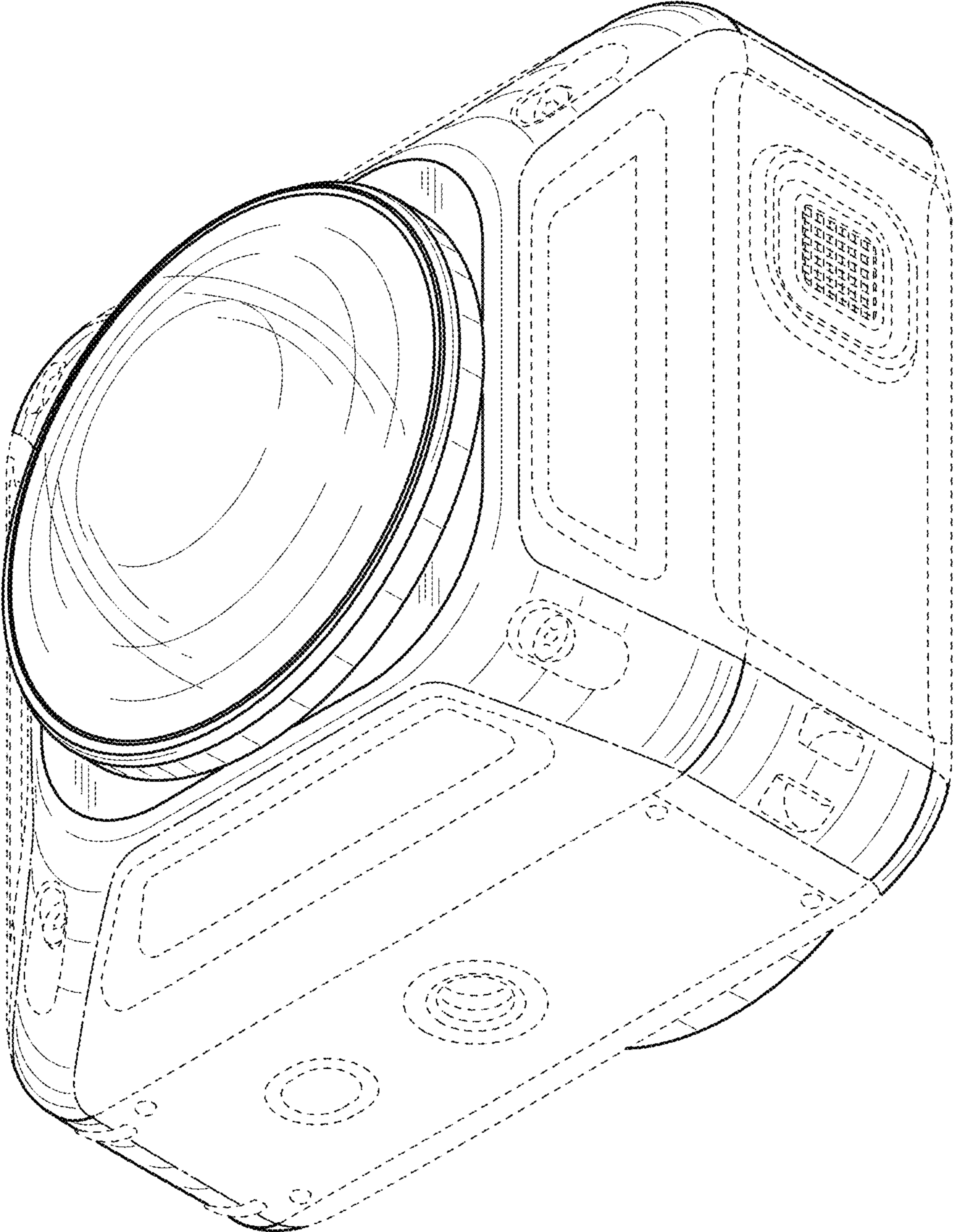


FIG. 3

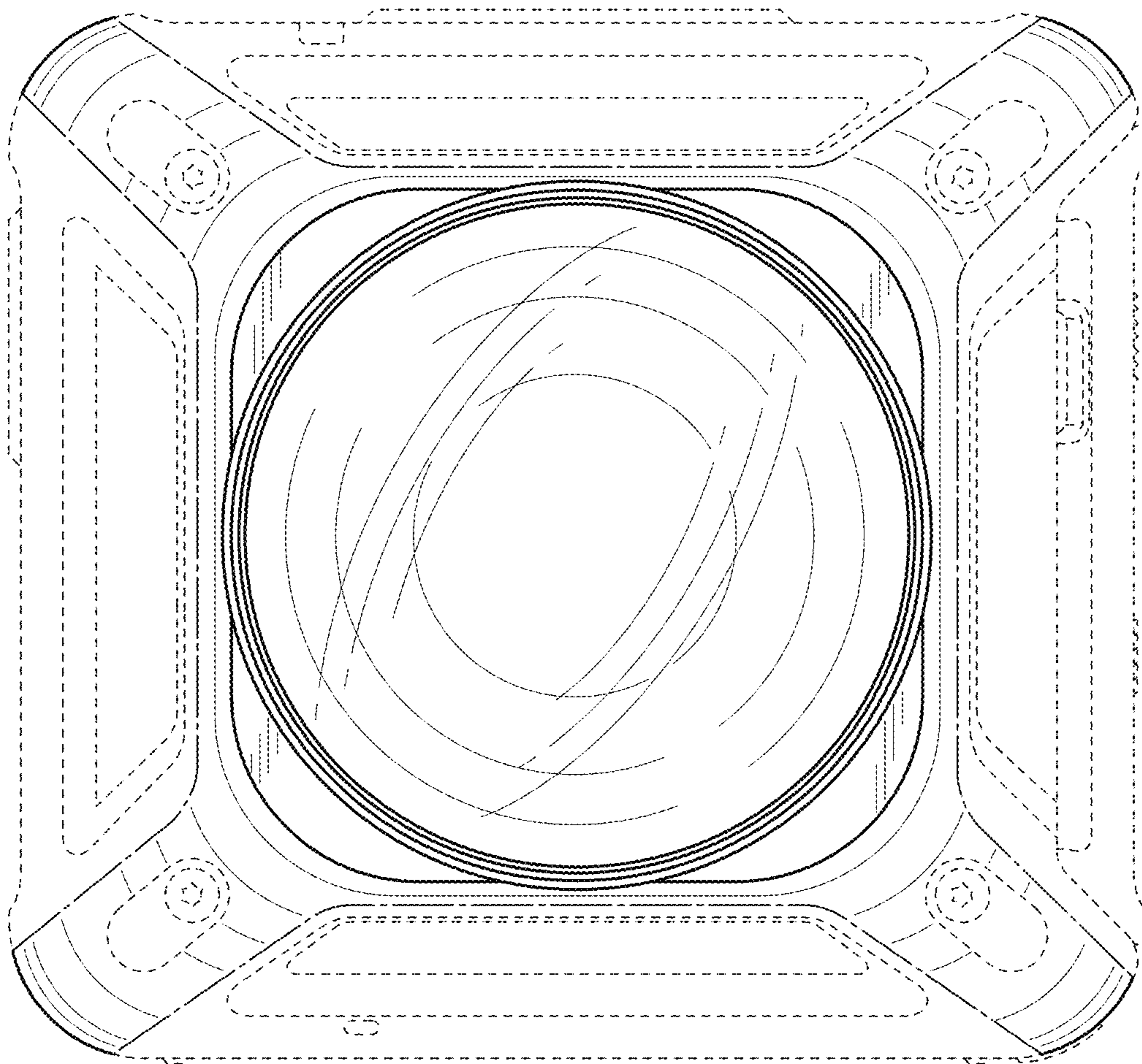


FIG. 4

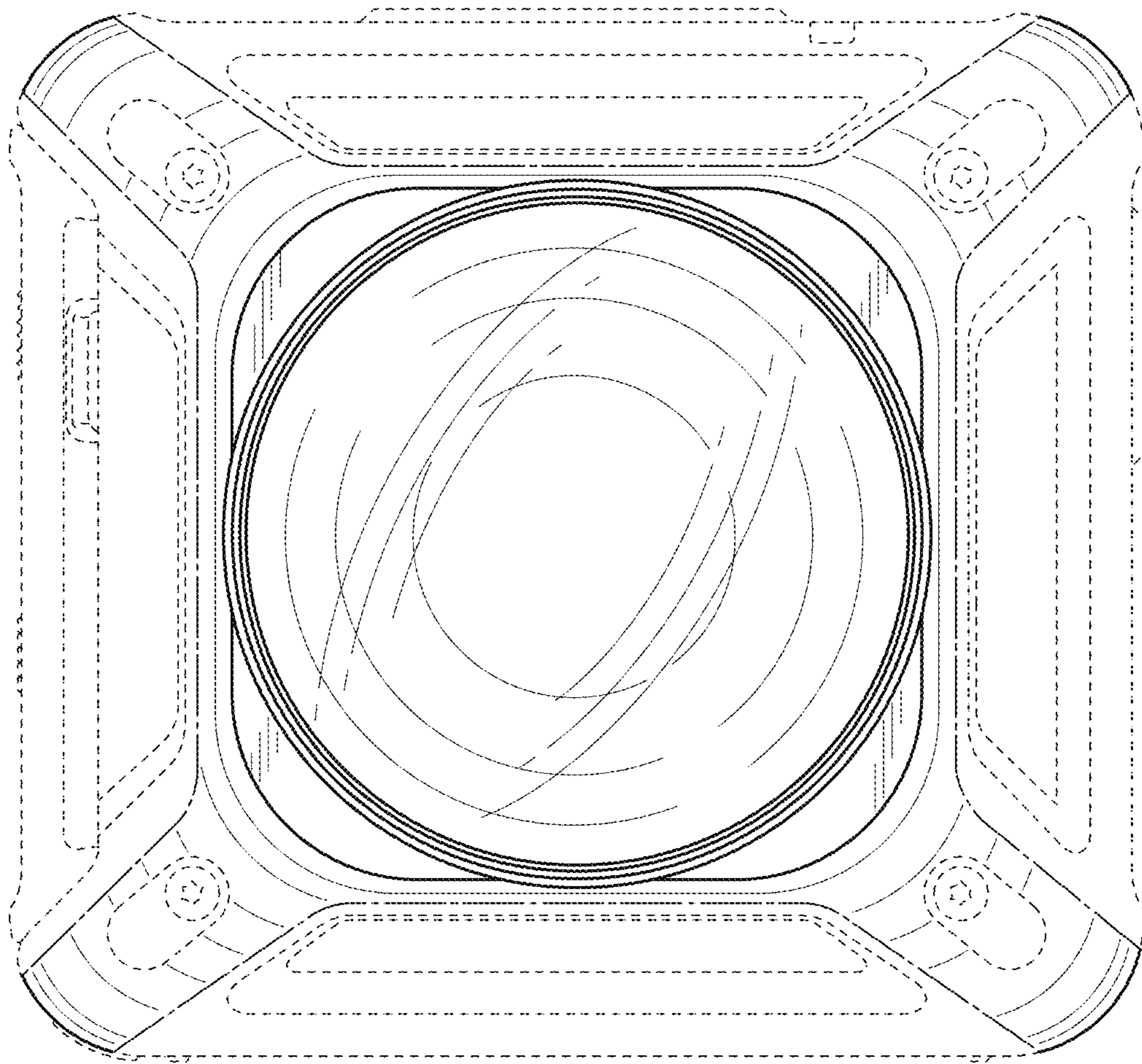


FIG. 5

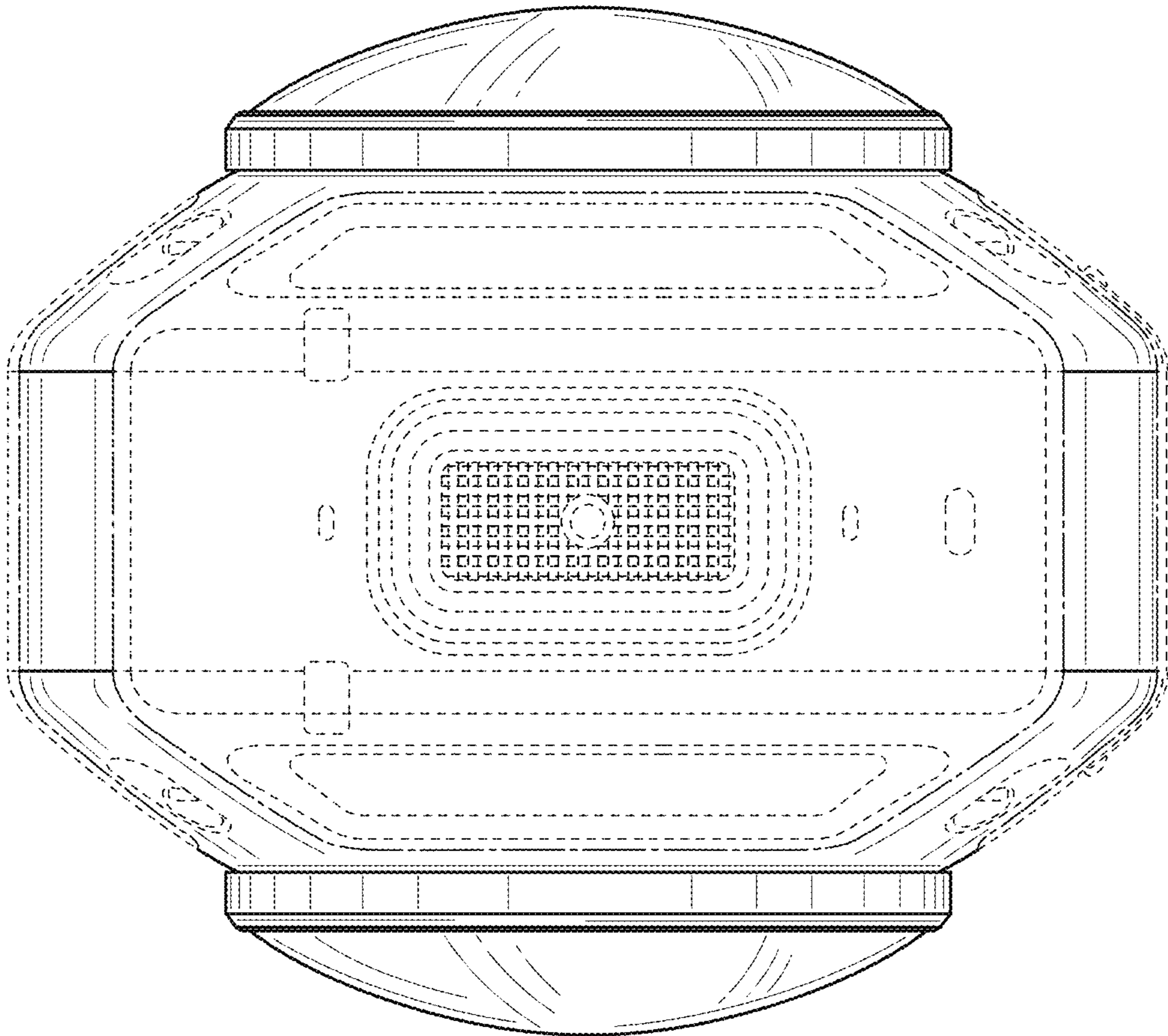


FIG. 6

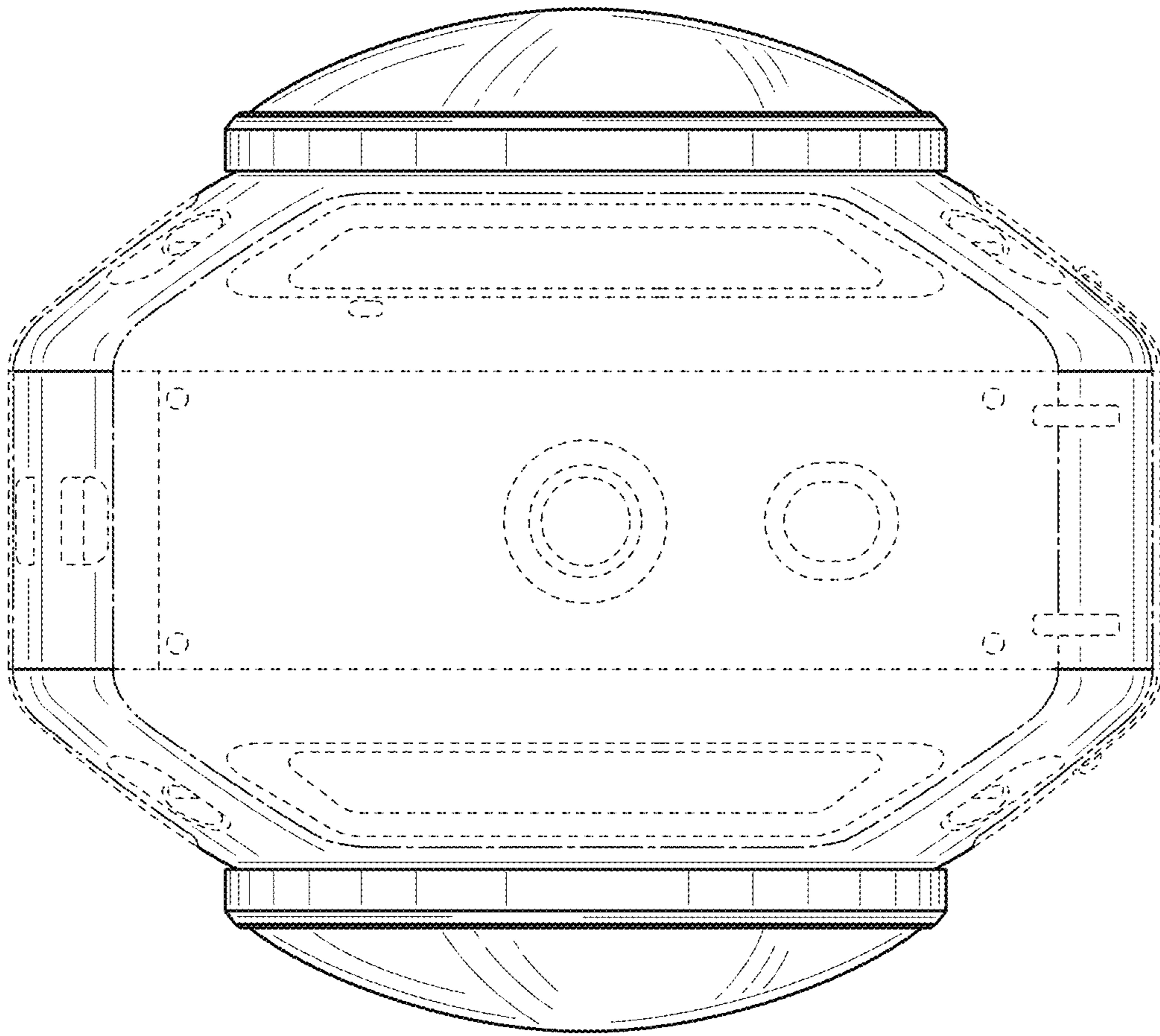


FIG. 7

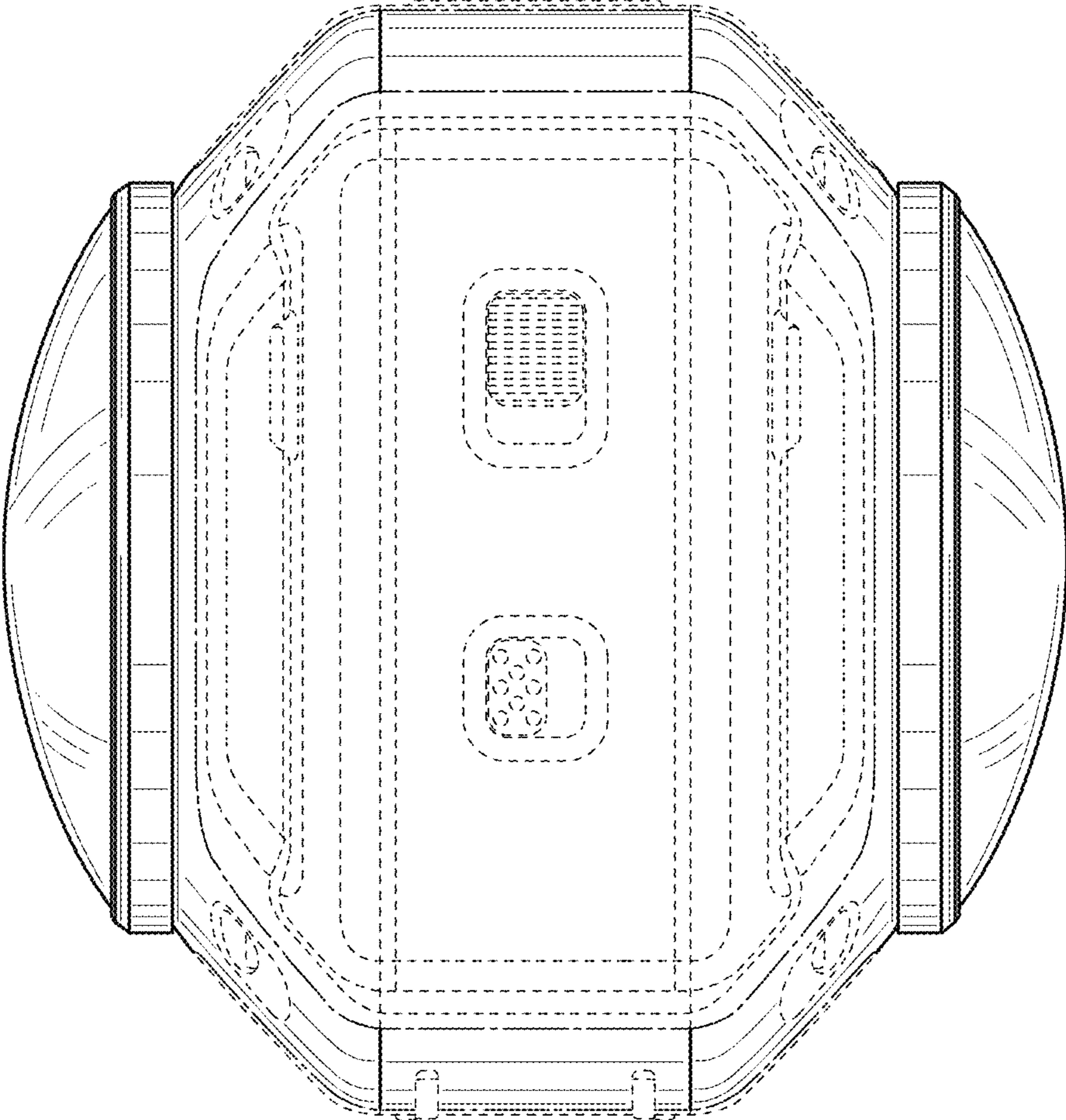


FIG. 8

