



US00D791209S

(12) **United States Design Patent**
Dong et al.

(10) **Patent No.:** **US D791,209 S**
(45) **Date of Patent:** **** Jul. 4, 2017**

(54) **SMART CAMERA**

(71) Applicant: **Lifesmart, Inc.**, Zhejiang Province (CN)

(72) Inventors: **Yi Dong**, Zhejiang Province (CN); **Nick Cronan**, San Francisco, CA (US)

(**) Term: **14 Years**

(21) Appl. No.: **29/513,930**

(22) Filed: **Jan. 7, 2015**

(30) **Foreign Application Priority Data**

Dec. 22, 2014 (CN) 2014 3 0544159

(51) **LOC (10) Cl.** **16-01**

(52) **U.S. Cl.**
USPC **D16/202**

(58) **Field of Classification Search**
USPC D16/200, 202-205, 208, 214, 215, 218,
D16/219, 242; 348/14.01-14.06, 143,
(Continued)

(56) **References Cited**

U.S. PATENT DOCUMENTS

D377,032 S * 12/1996 Morooka D16/202
D382,001 S * 8/1997 Wang D16/219
(Continued)

Primary Examiner — Philip S Hyder

Assistant Examiner — Ramzi Almatrahi

(74) *Attorney, Agent, or Firm* — Prakash Nama; Global IP Services, PLLC

(57) **CLAIM**

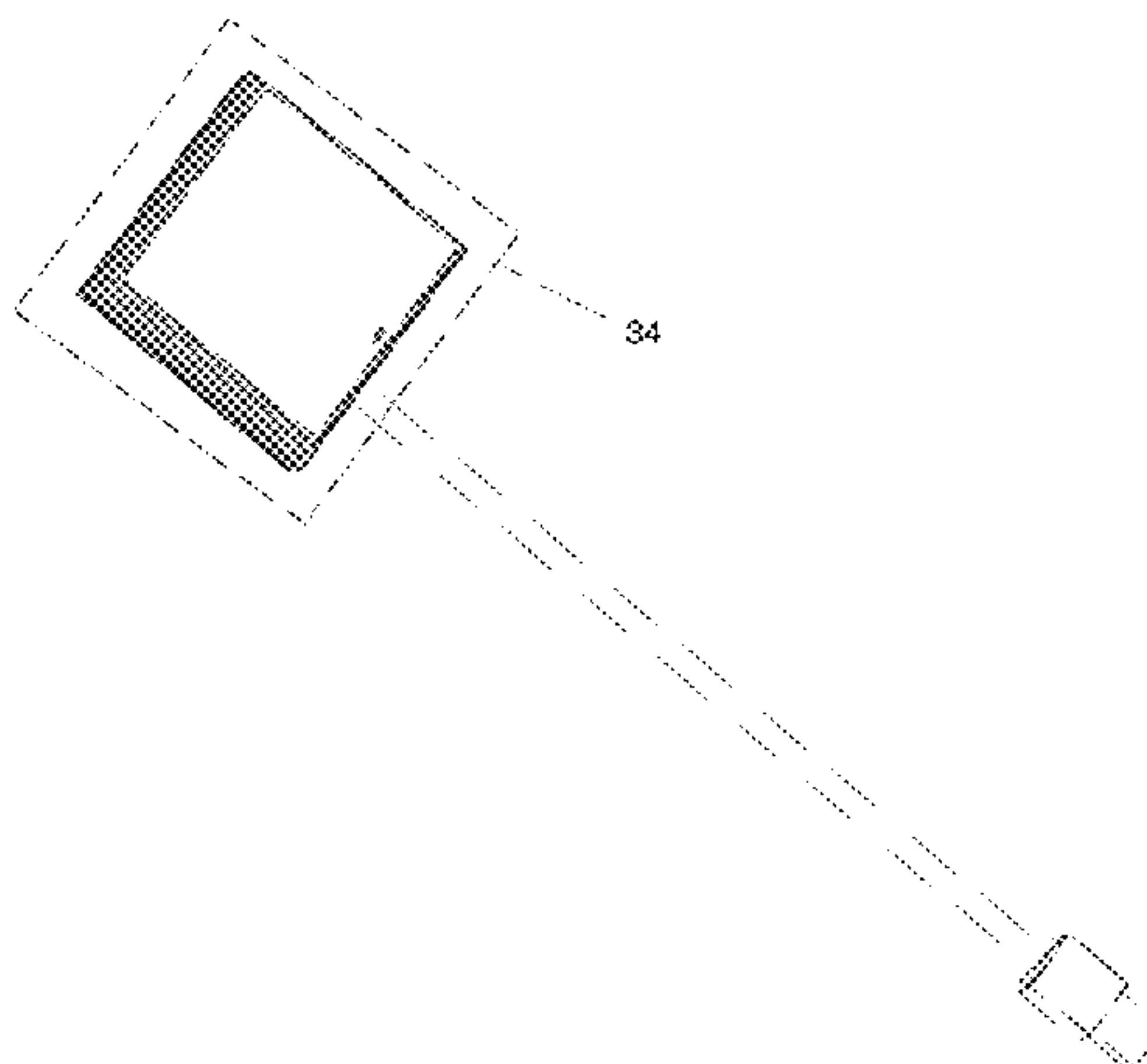
The ornamental design for a smart camera, as shown and described.

DESCRIPTION

FIG. 1 is a front elevational view of a smart camera showing our new design;

FIG. 2 is a rear elevational view thereof;
FIG. 3 is a left side elevational view thereof;
FIG. 4 is a right side elevational view thereof;
FIG. 5 is a top plan view thereof;
FIG. 6 is a bottom plan view thereof;
FIG. 7 is a rear perspective view thereof;
FIG. 8 is a front perspective view thereof;
FIG. 9 is a front elevational view of the connection wire, with the camera being omitted for ease of illustration;
FIG. 10 is a rear elevational view thereof;
FIG. 11 is a left side elevational view thereof;
FIG. 12 is a right side elevational view thereof;
FIG. 13 is a top plan view thereof;
FIG. 14 is a bottom plan view thereof;
FIG. 15 is a front perspective view thereof;
FIG. 16 is a rear perspective view thereof;
FIG. 17 is a front elevational view of the camera shown in an enlarged scale, with the connection wire being omitted for ease of illustration;
FIG. 18 is a rear elevational view thereof;
FIG. 19 is a left side elevational view thereof;
FIG. 20 is a right side elevational view thereof;
FIG. 21 is a top plan view thereof;
FIG. 22 is a bottom plan view thereof;
FIG. 23 is a front perspective view thereof;
FIG. 24 is a rear perspective view thereof;
FIG. 25 is an enlarged view of the indicated area 25 in FIG. 1;
FIG. 26 is an enlarged view of the indicated area 26 in FIG. 1 and FIG. 9;
FIG. 27 is an enlarged view of the indicated area 27 in FIG. 2;
FIG. 28 is an enlarged view of the indicated area 28 in FIG. 2 and FIG. 10;
FIG. 29 is an enlarged view of the indicated area 29 in FIG. 5;
FIG. 30 is an enlarged view of the indicated area 30 in FIG. 5 and FIG. 13;
FIG. 31 is an enlarged view of the indicated area 31 in FIG. 6;
FIG. 32 is an enlarged view of the indicated area 32 in FIG. 6 and FIG. 14;
FIG. 33 is an enlarged view of the indicated area 33 in FIG. 7;

(Continued)



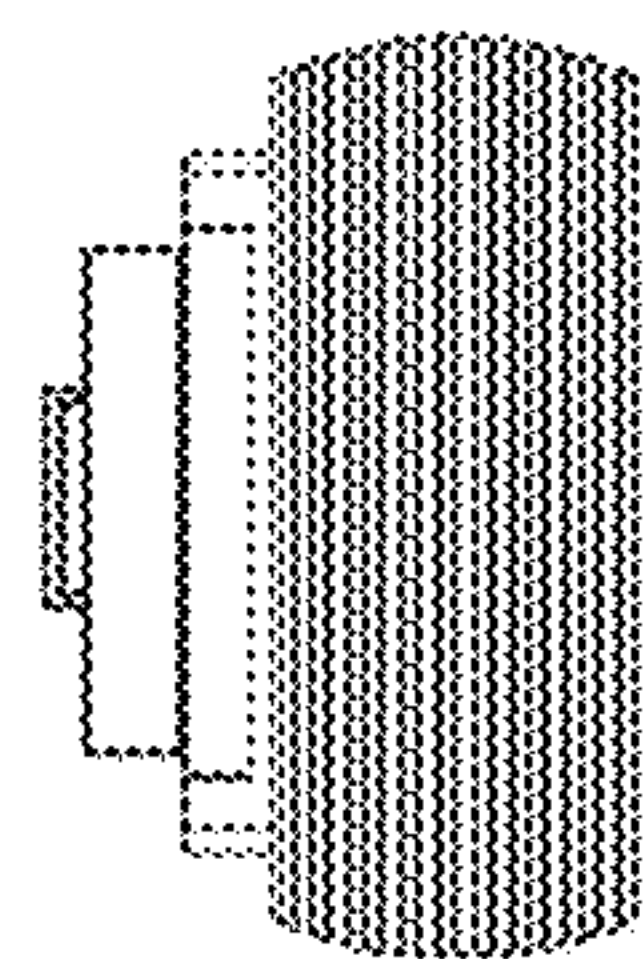
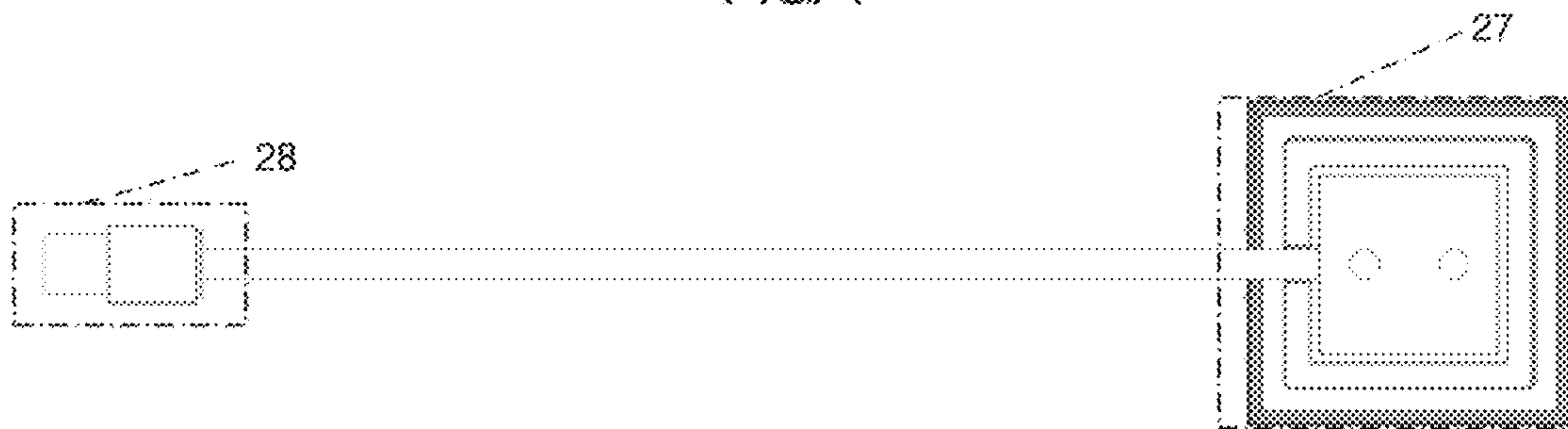


FIG. 3

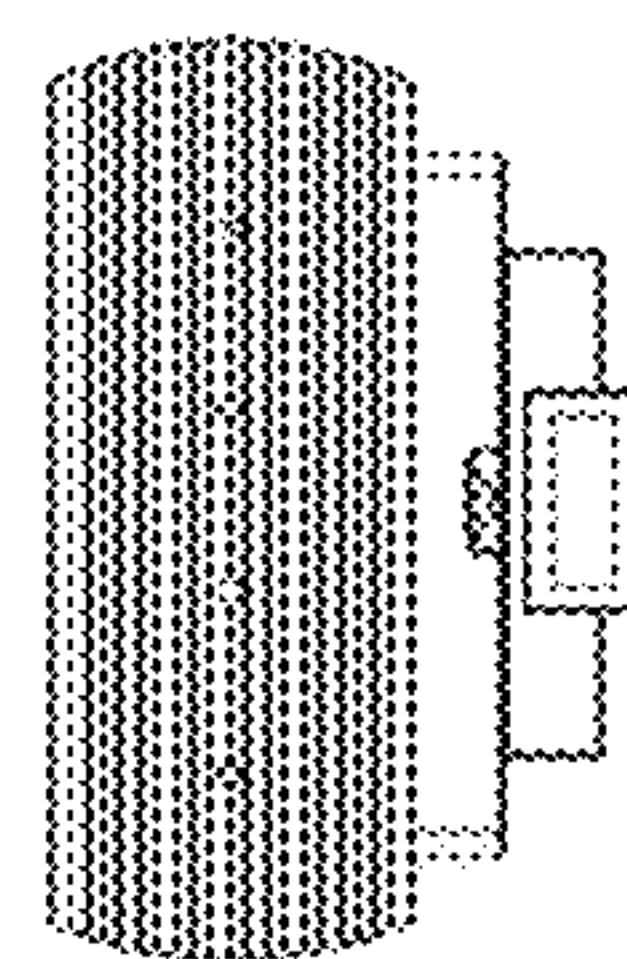


FIG. 4

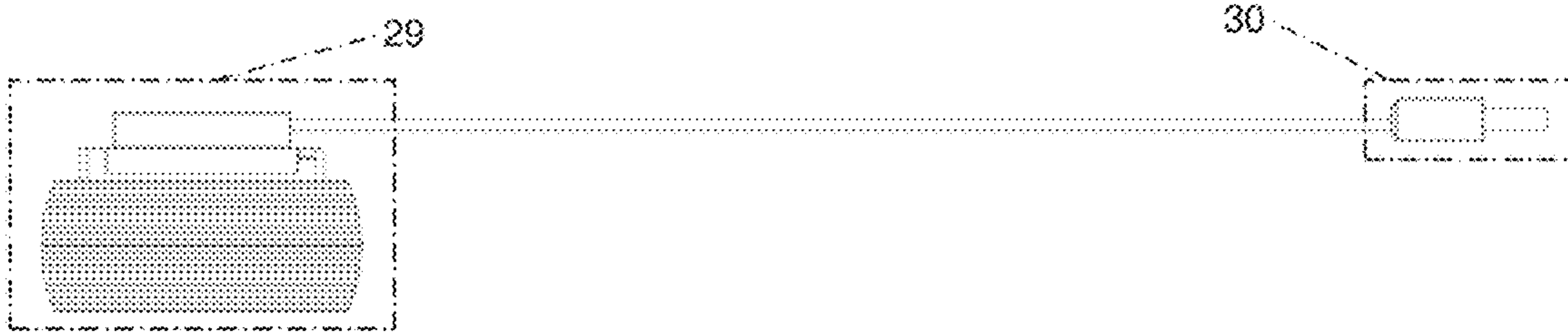


FIG. 5



FIG. 6

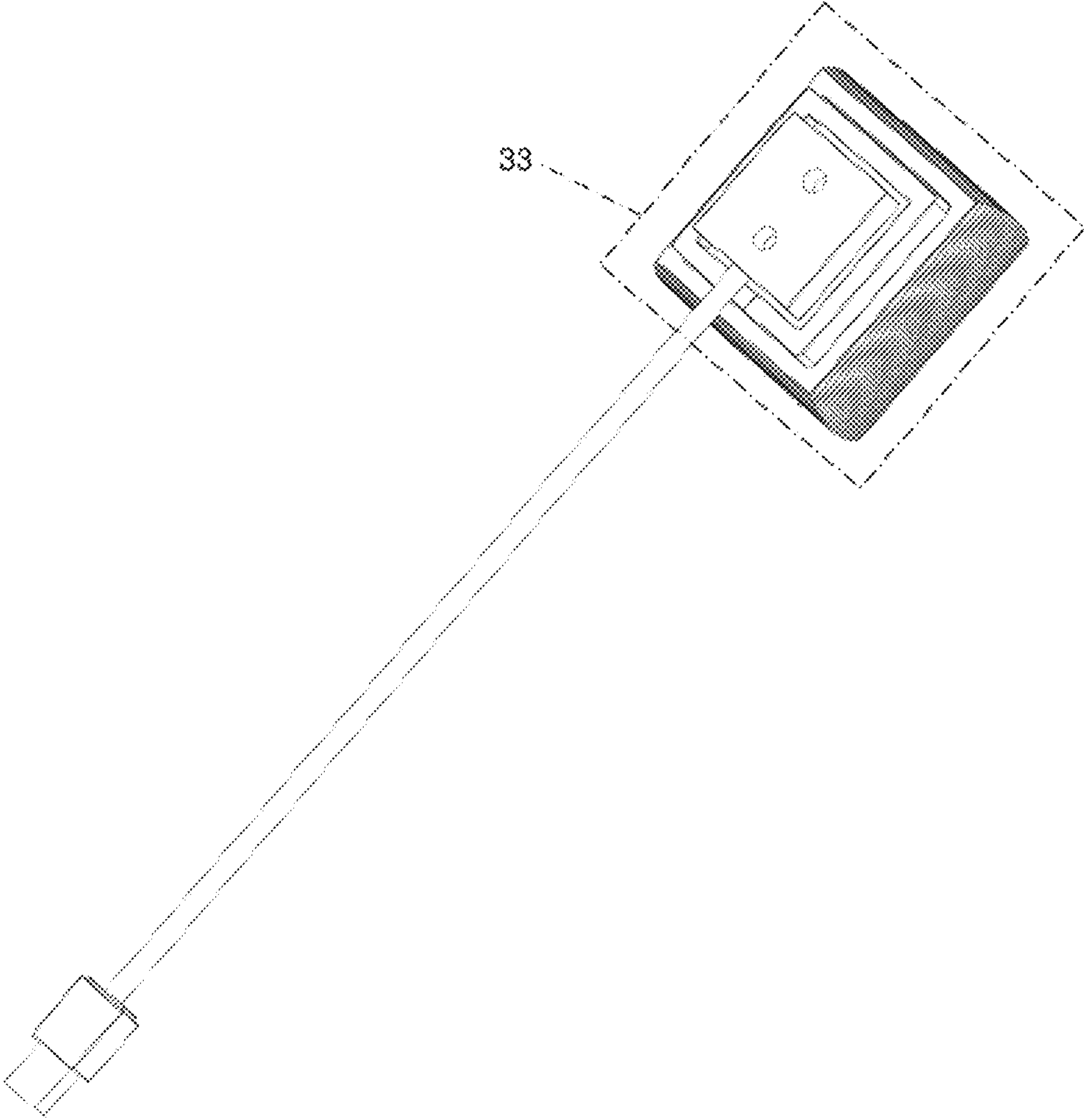


FIG. 7

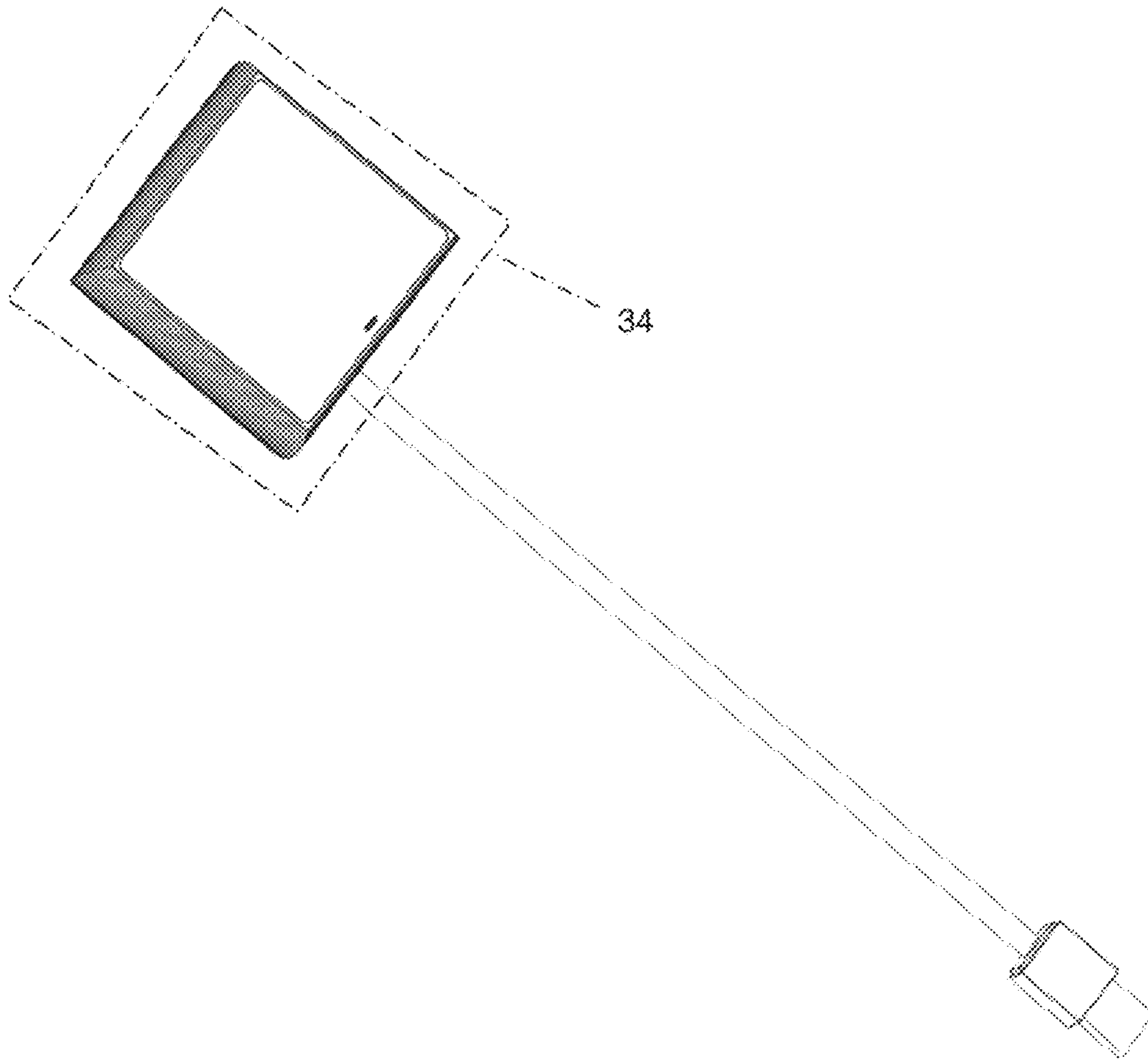


FIG. 8

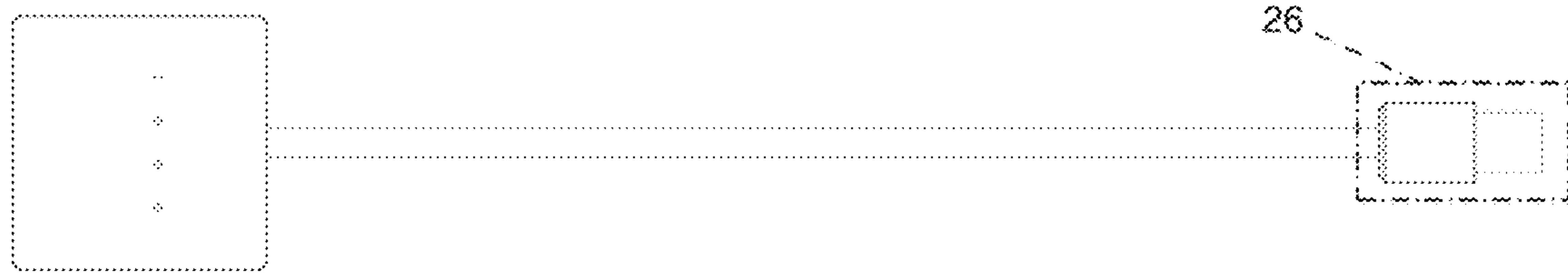


FIG. 9

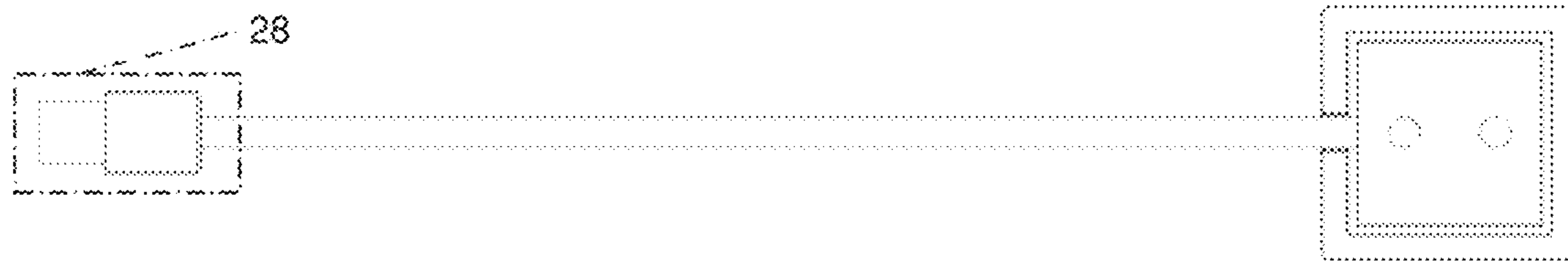


FIG. 10

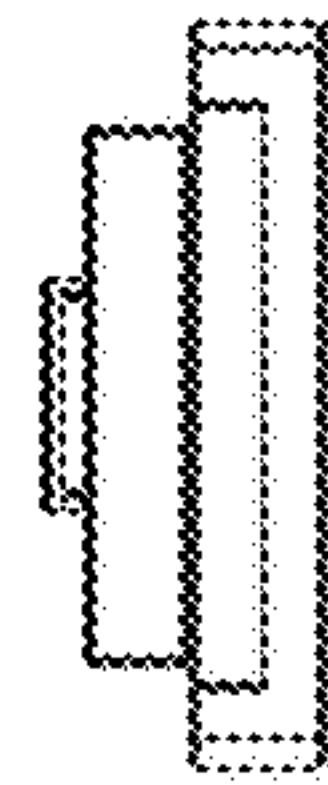


FIG. 11



FIG. 12



FIG. 13



FIG. 14

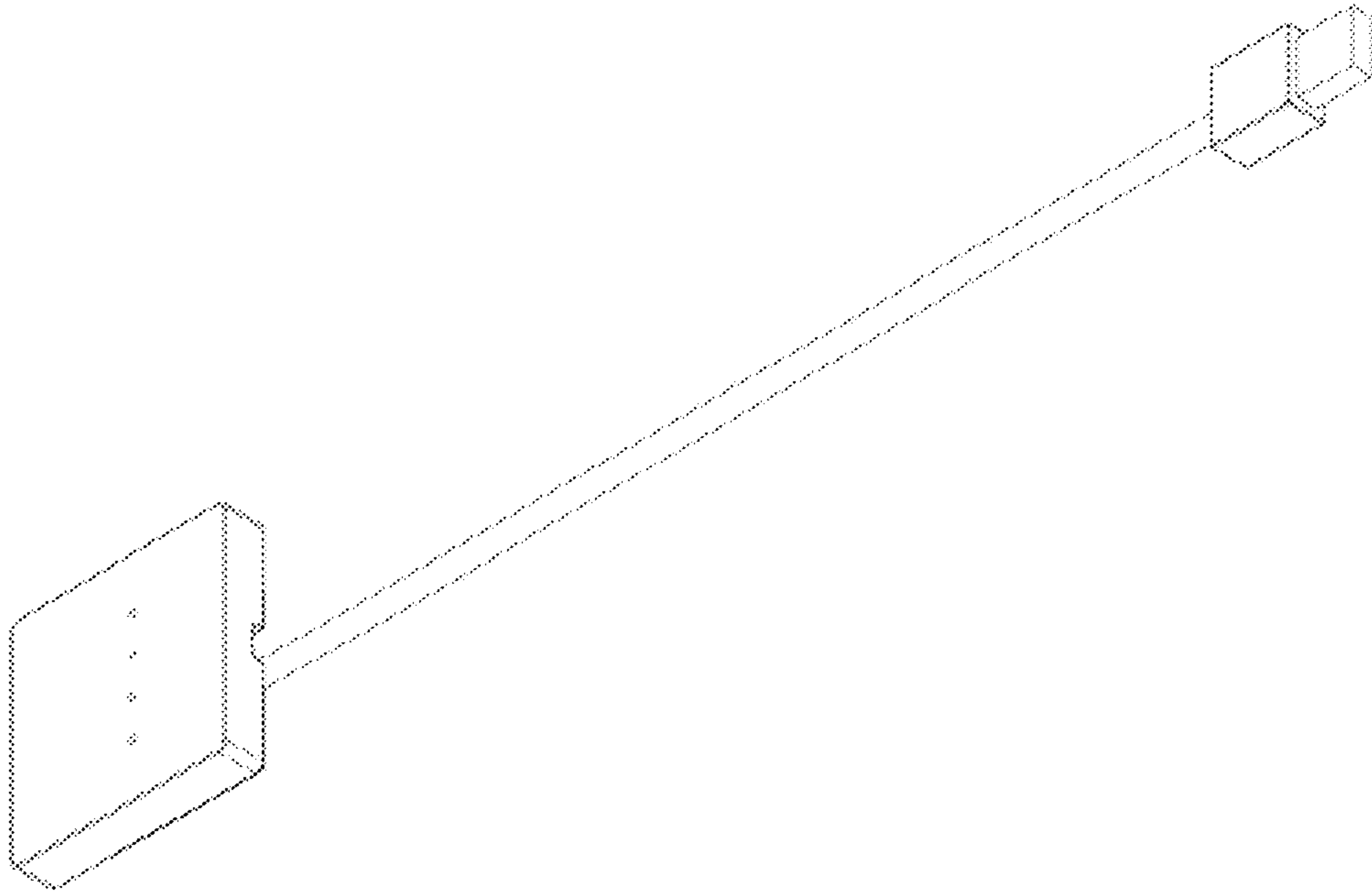


FIG. 15

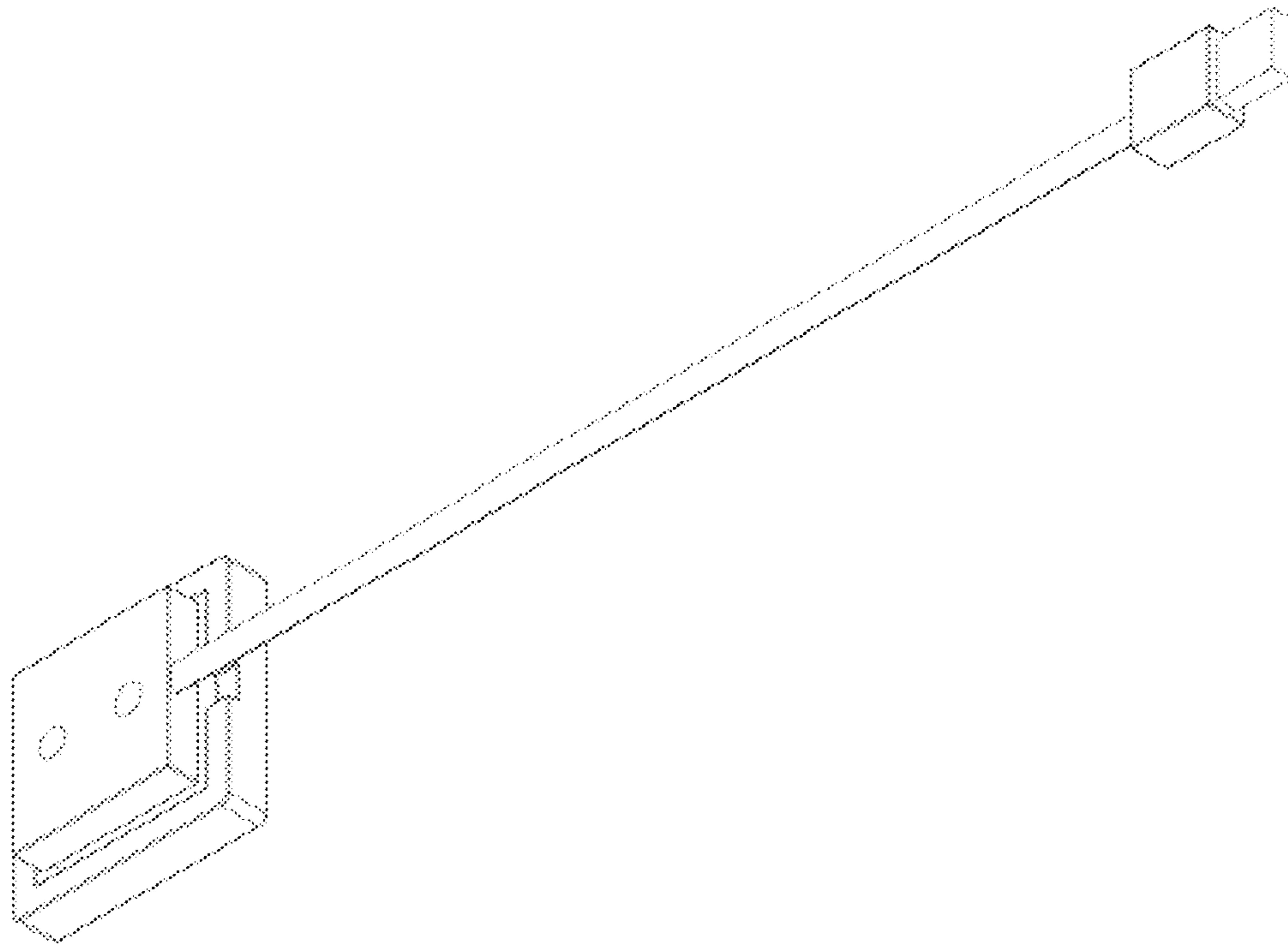


FIG. 16

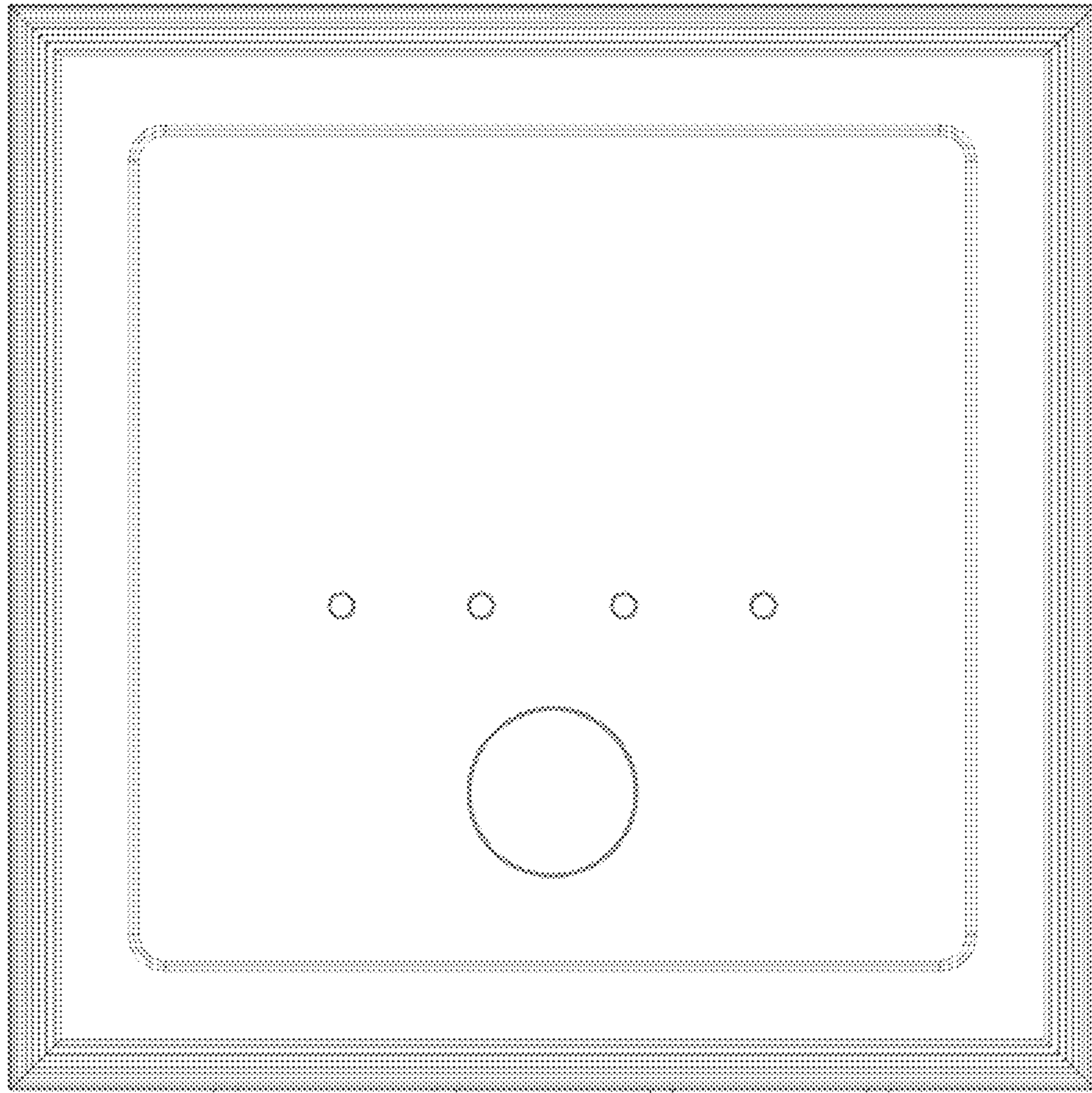


FIG. 17

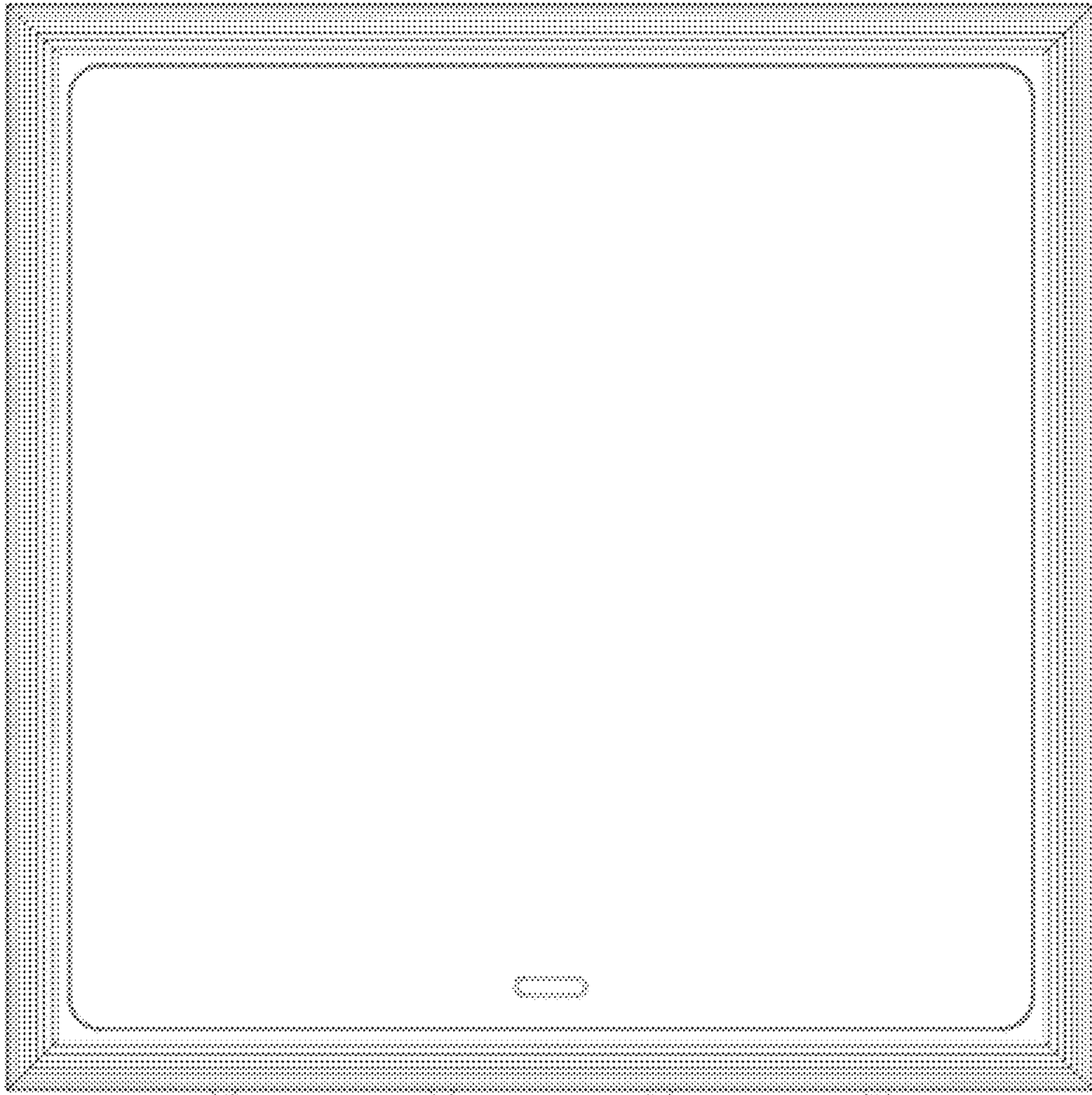


FIG. 18

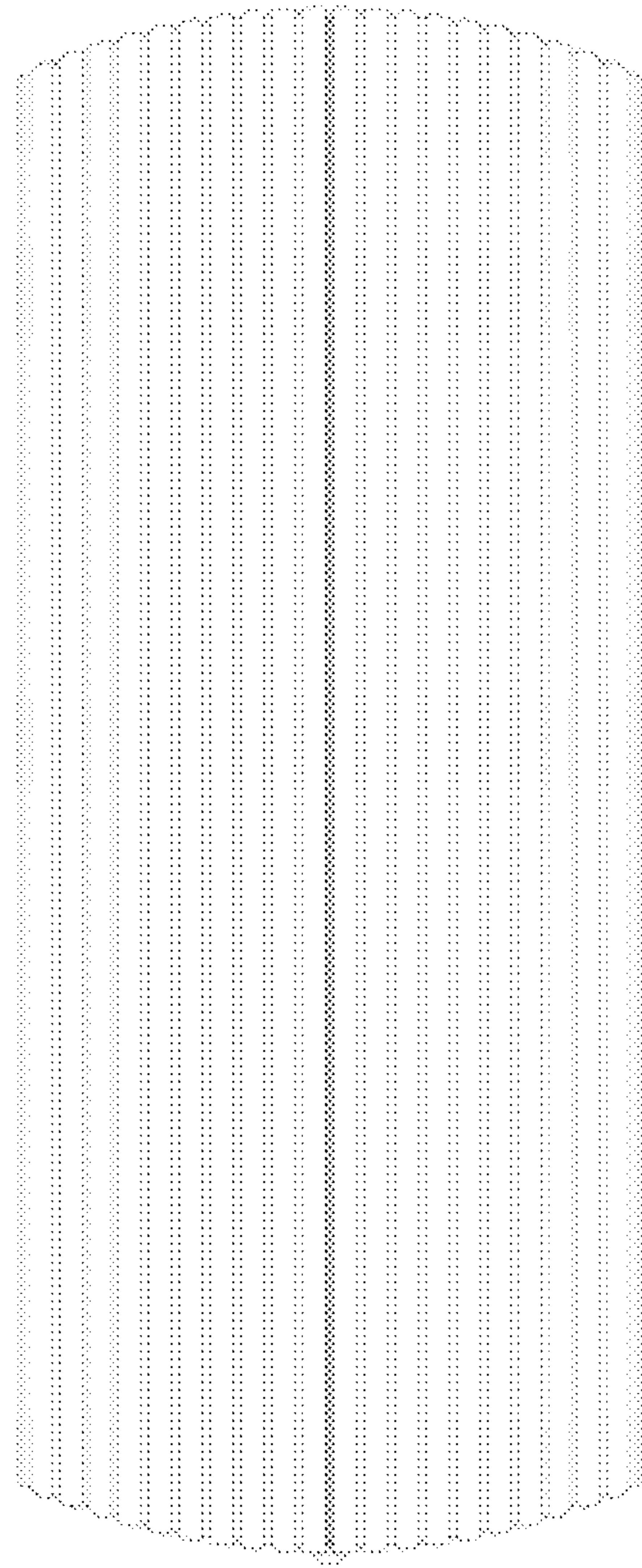


FIG. 19

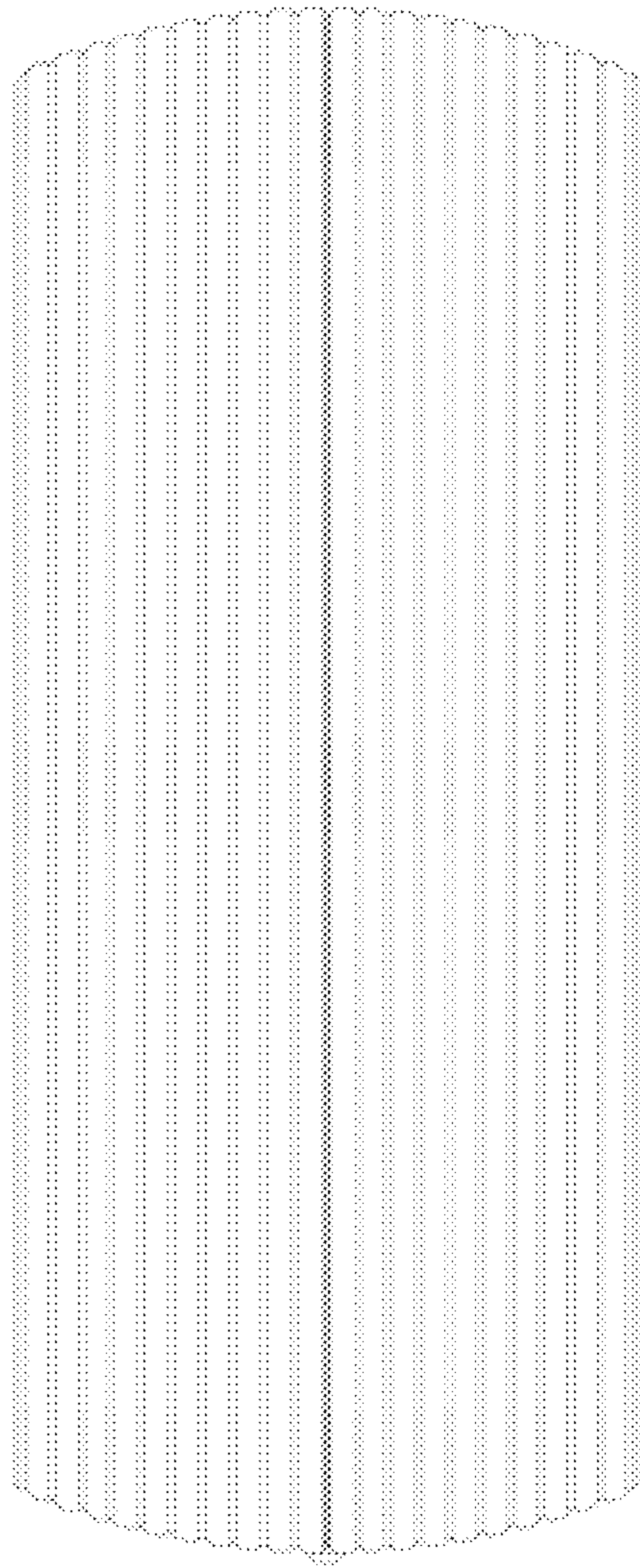


FIG. 20



FIG. 21

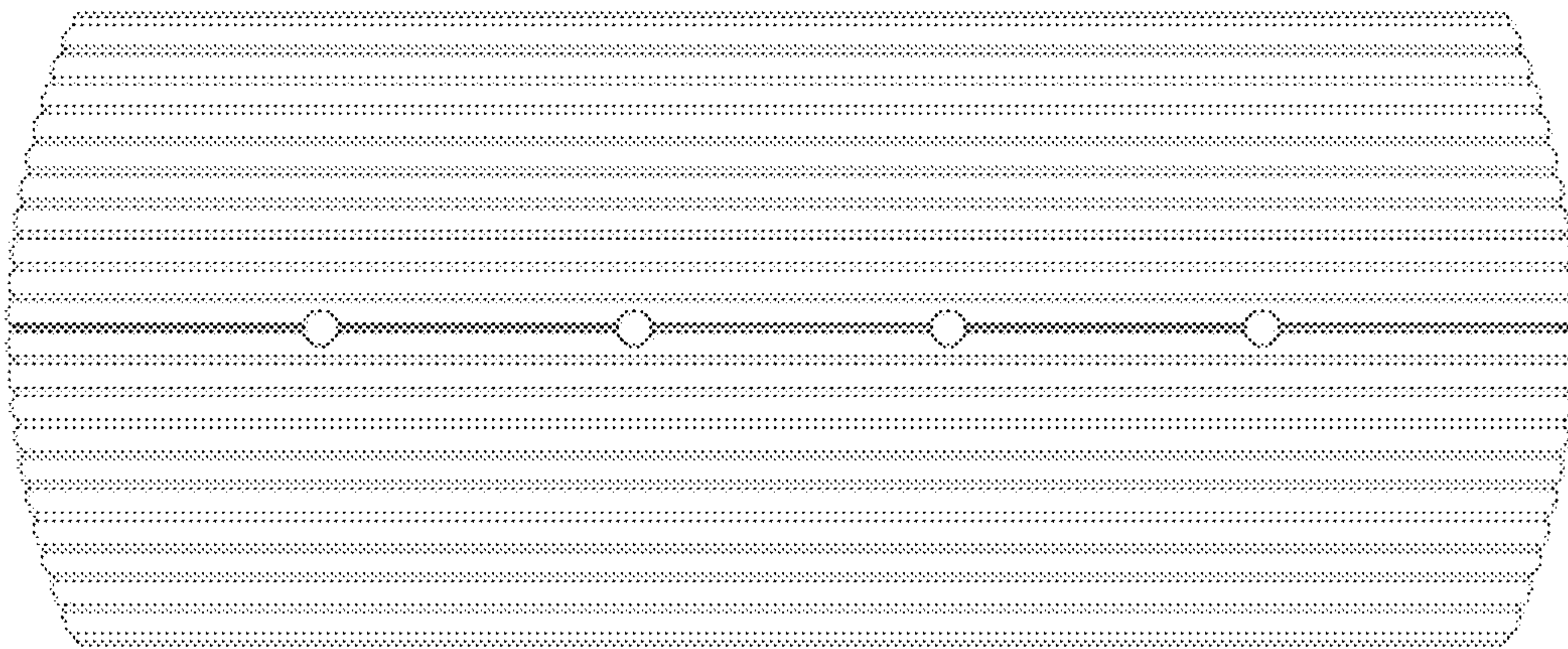


FIG. 22

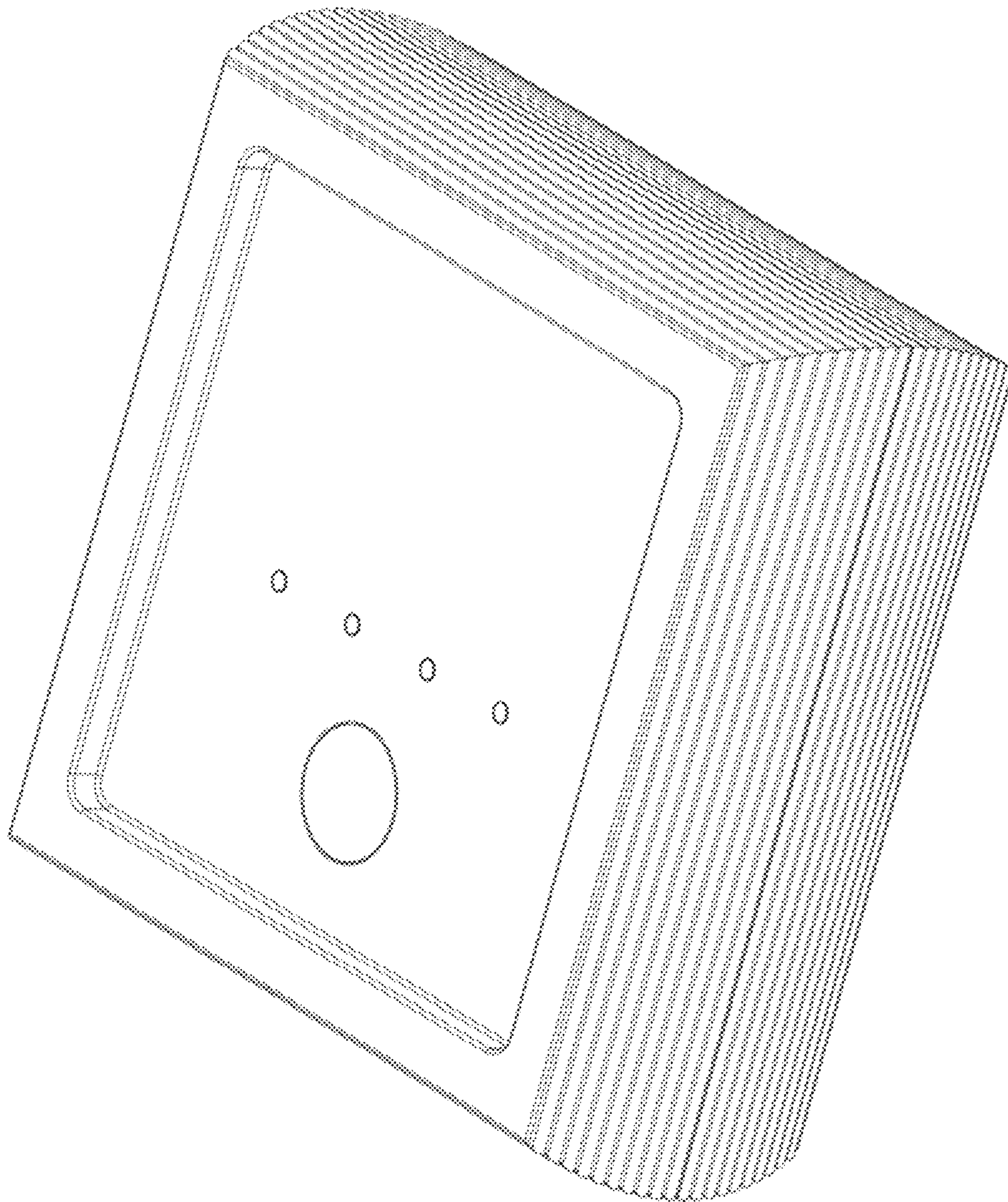


FIG. 23

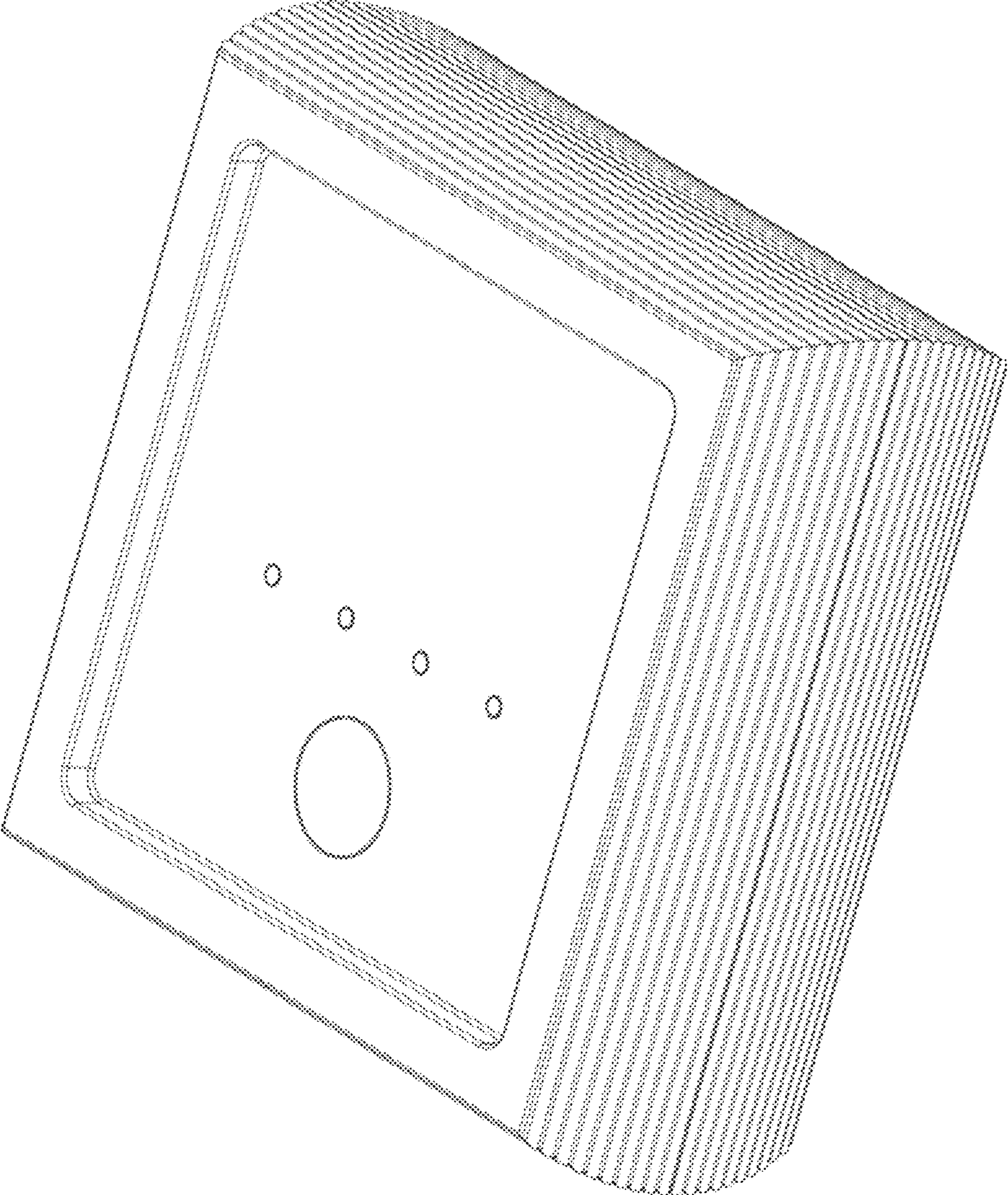


FIG. 24

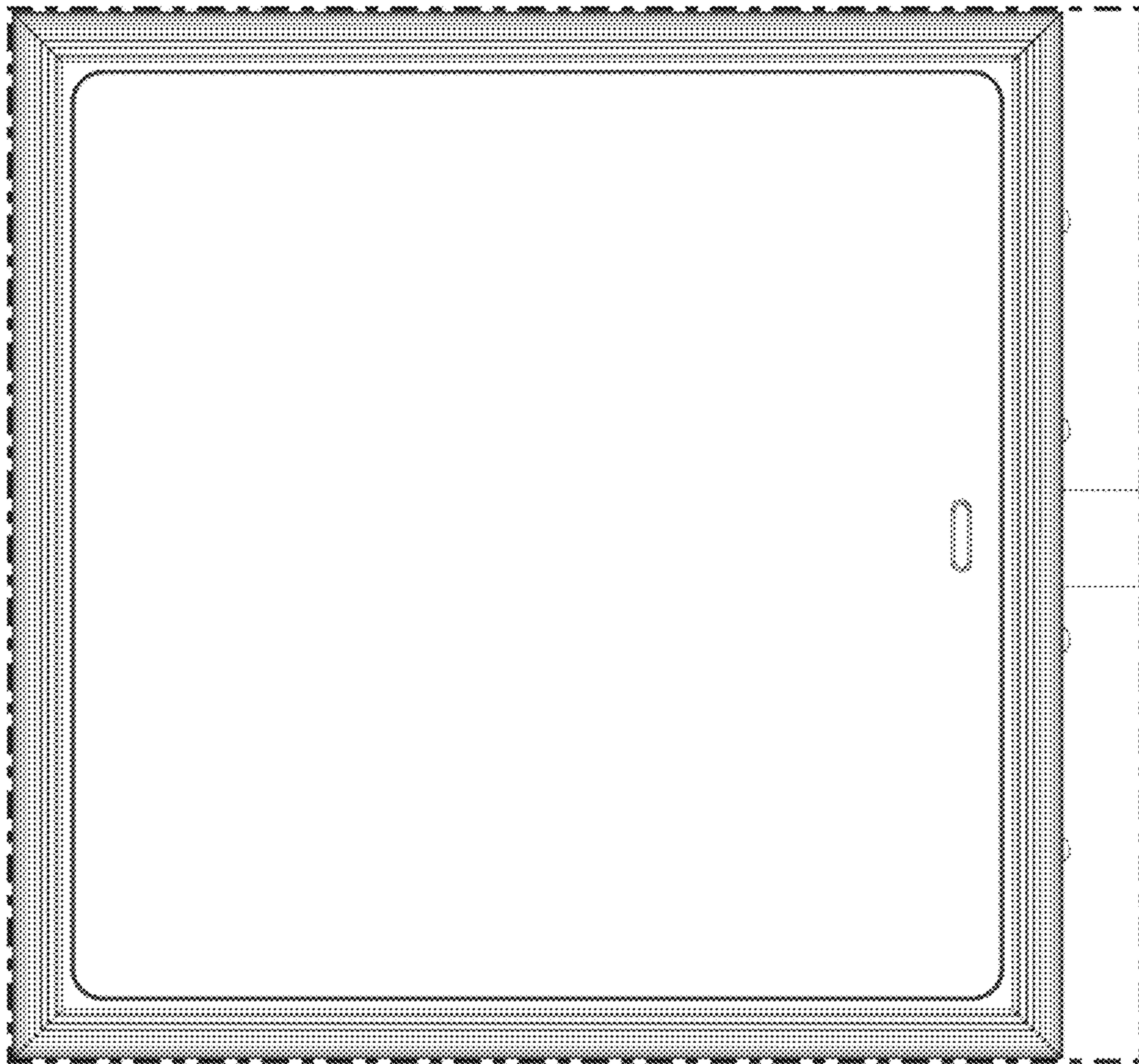


FIG. 25

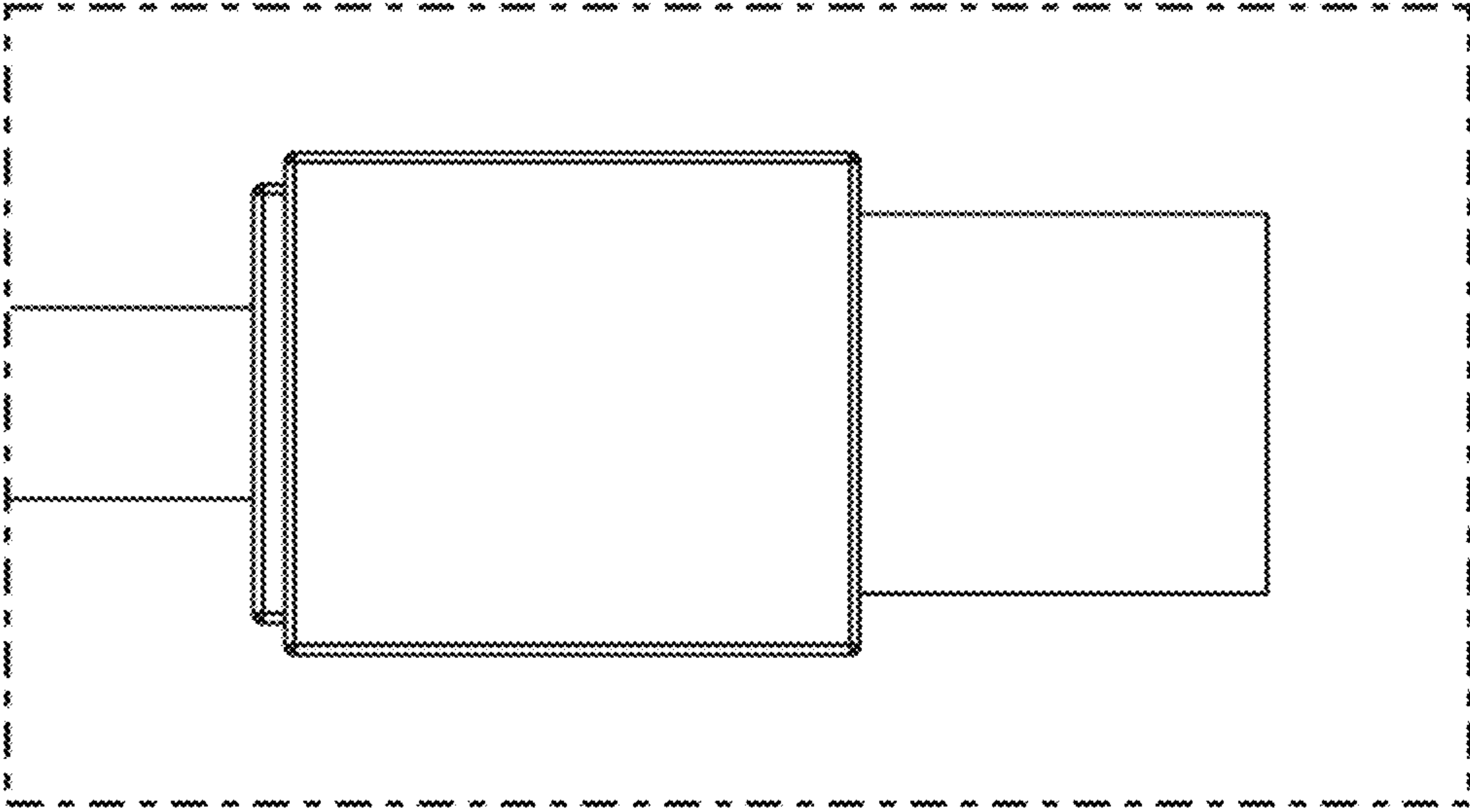


FIG. 26

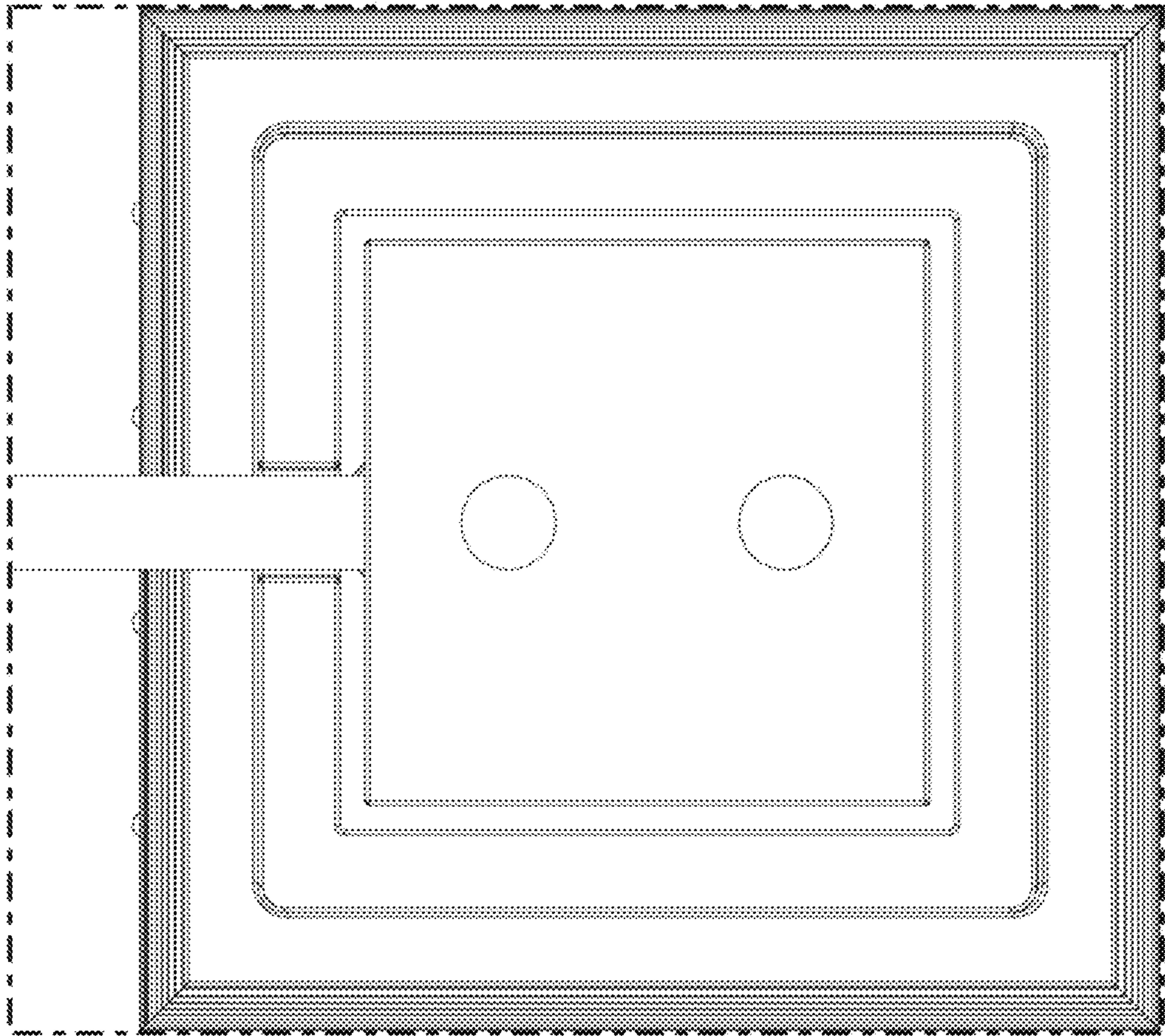


FIG. 27

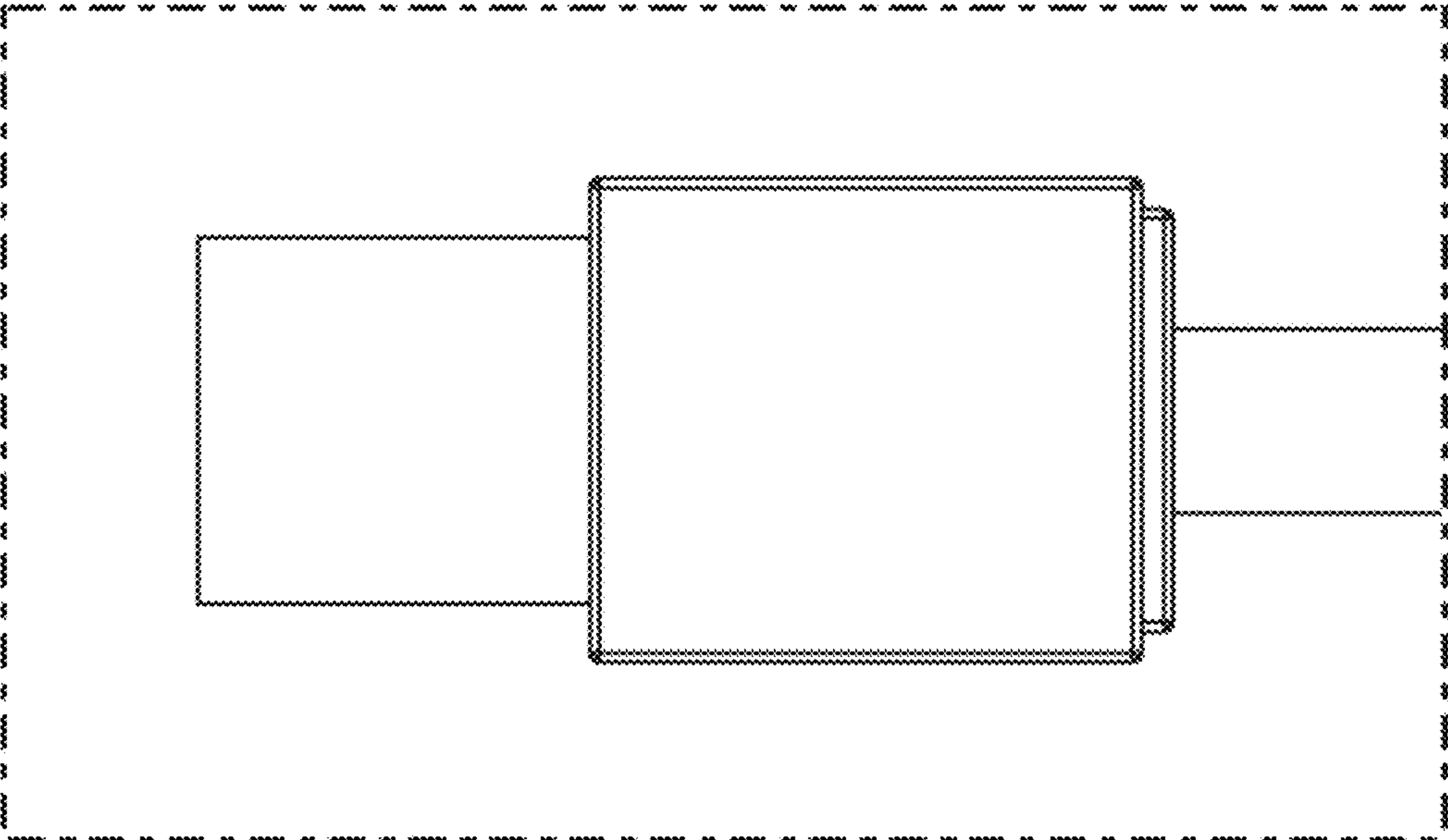


FIG. 28

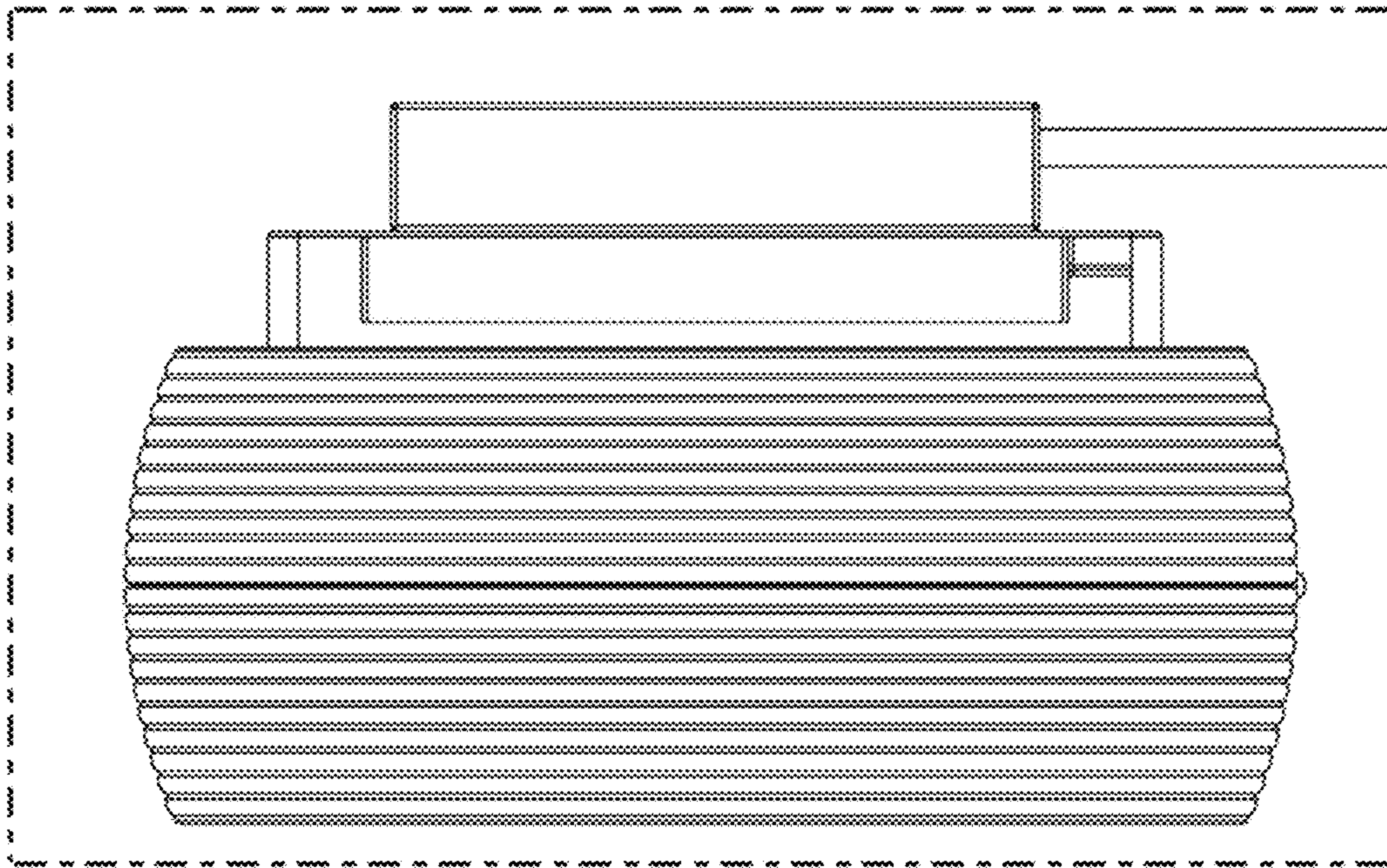


FIG. 29

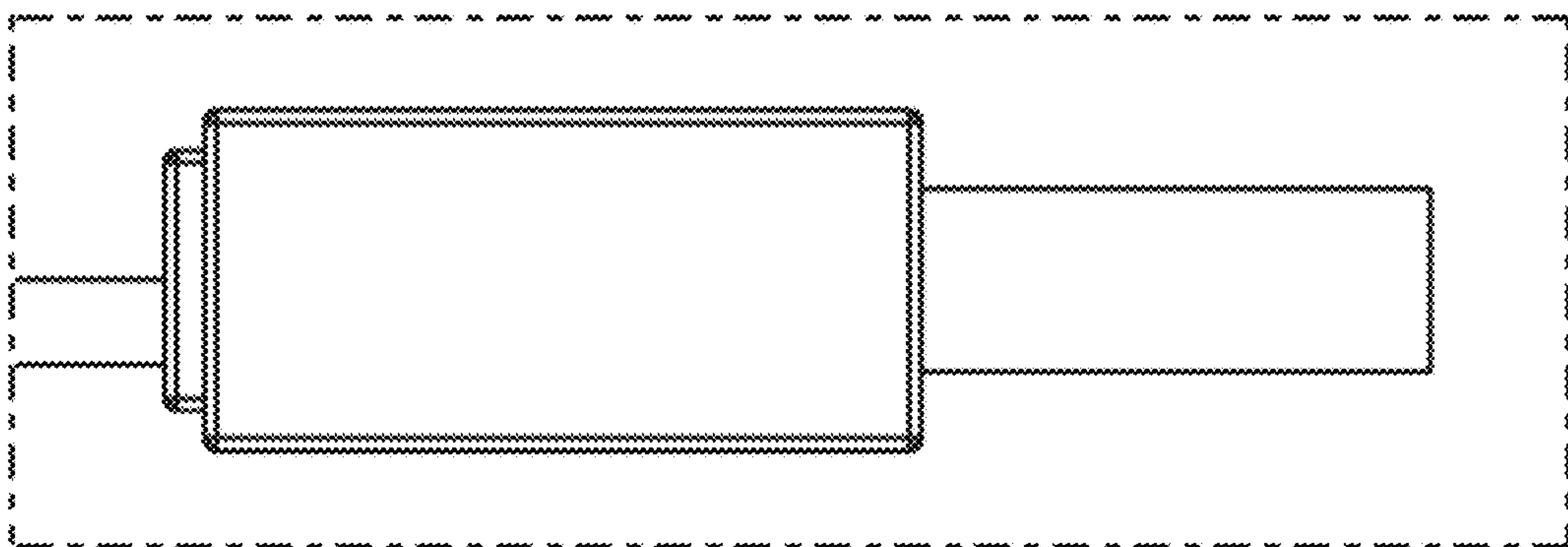


FIG. 30

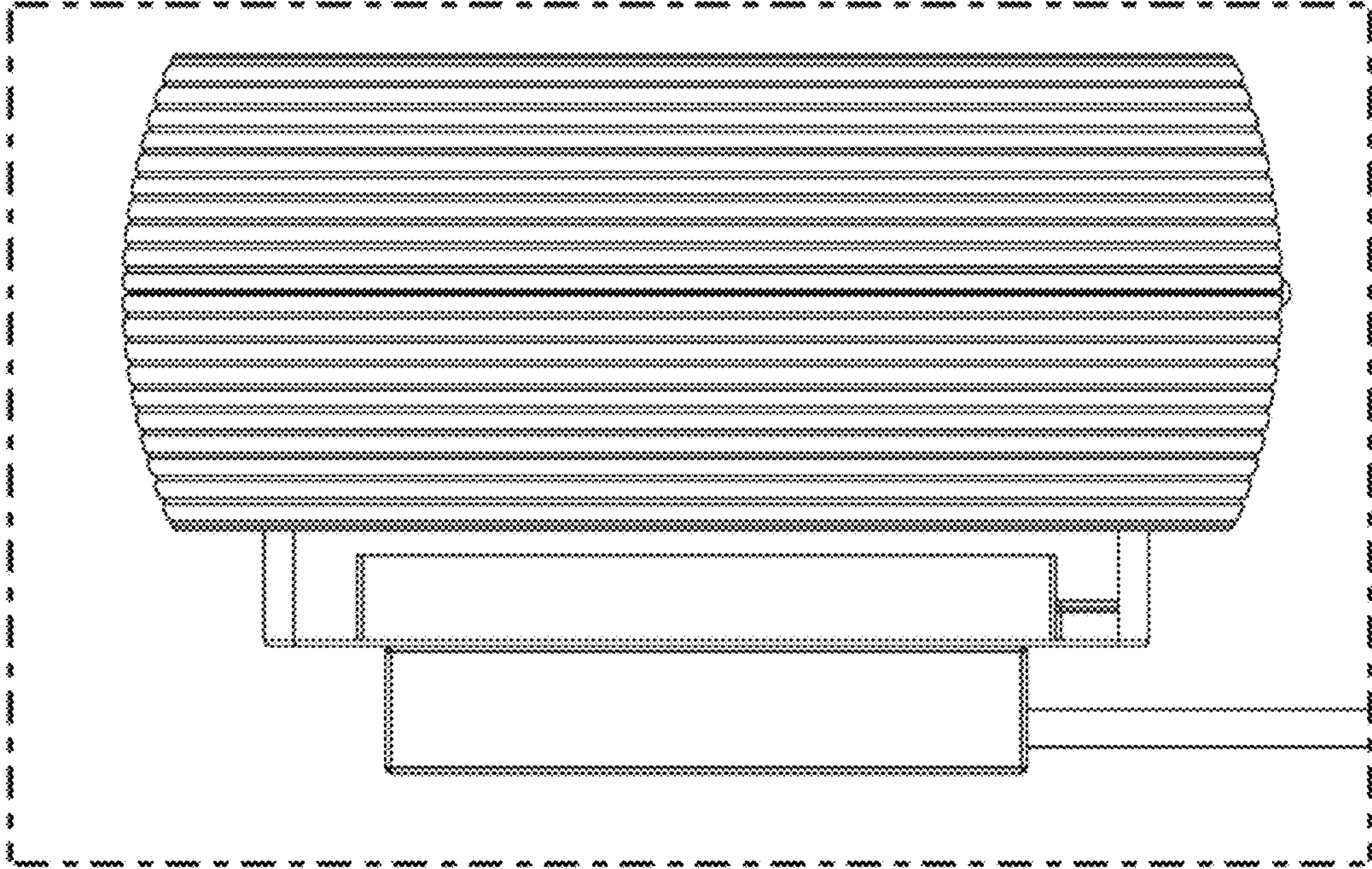


FIG. 31

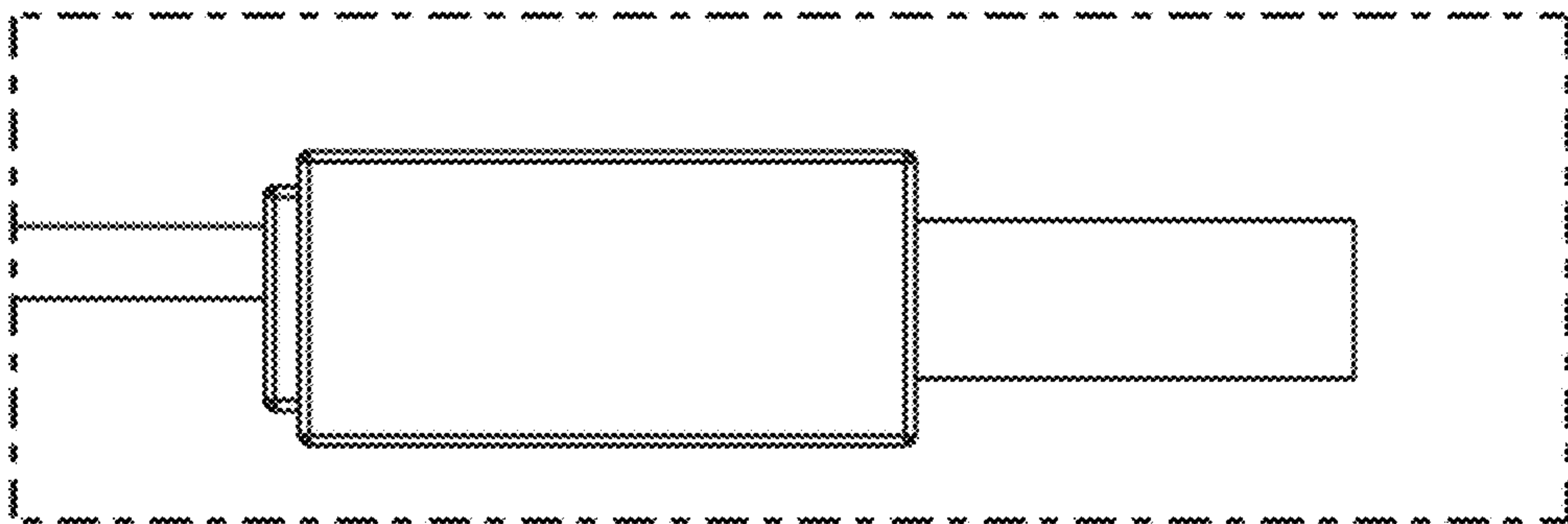


FIG. 32

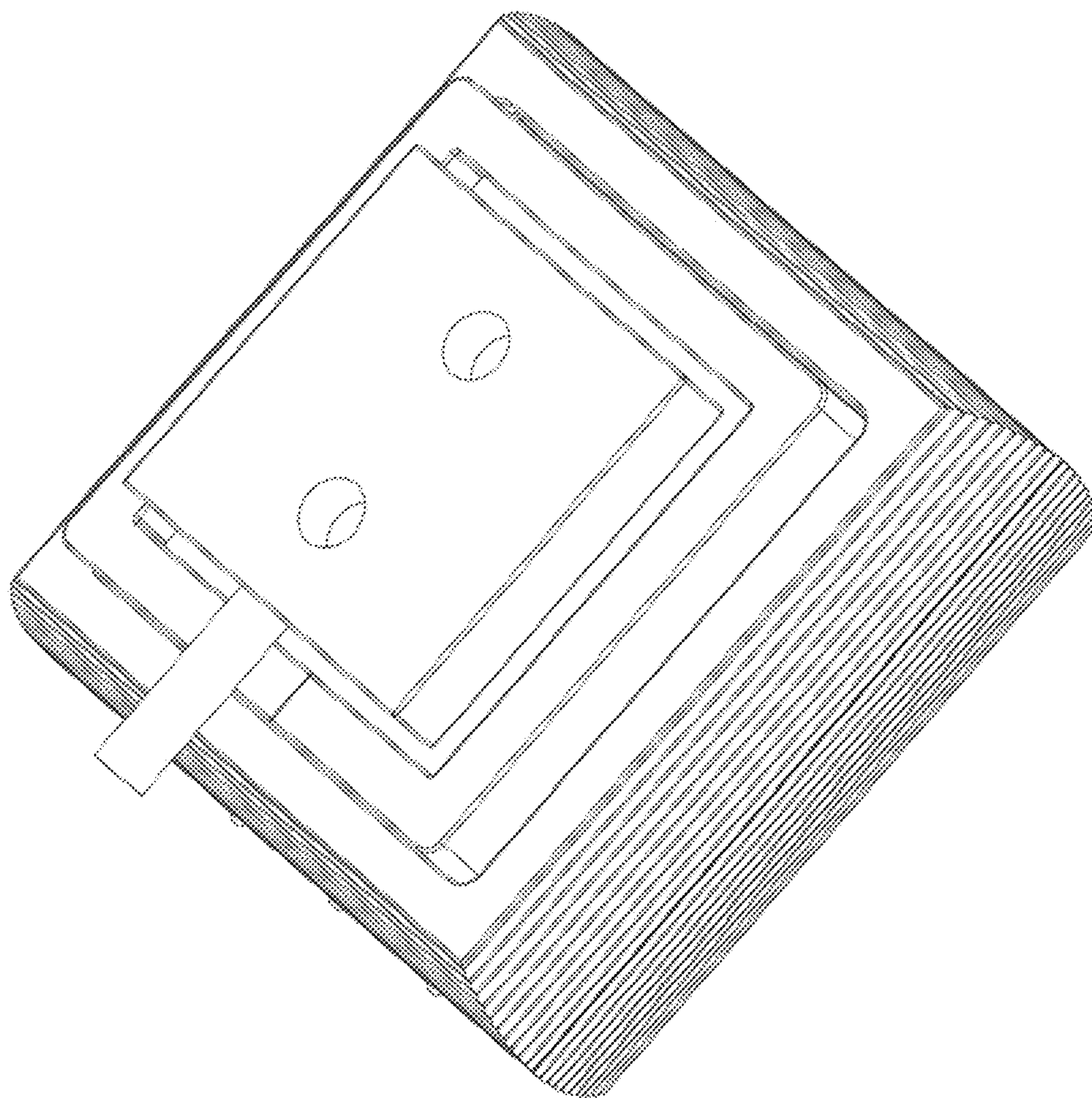


FIG. 33

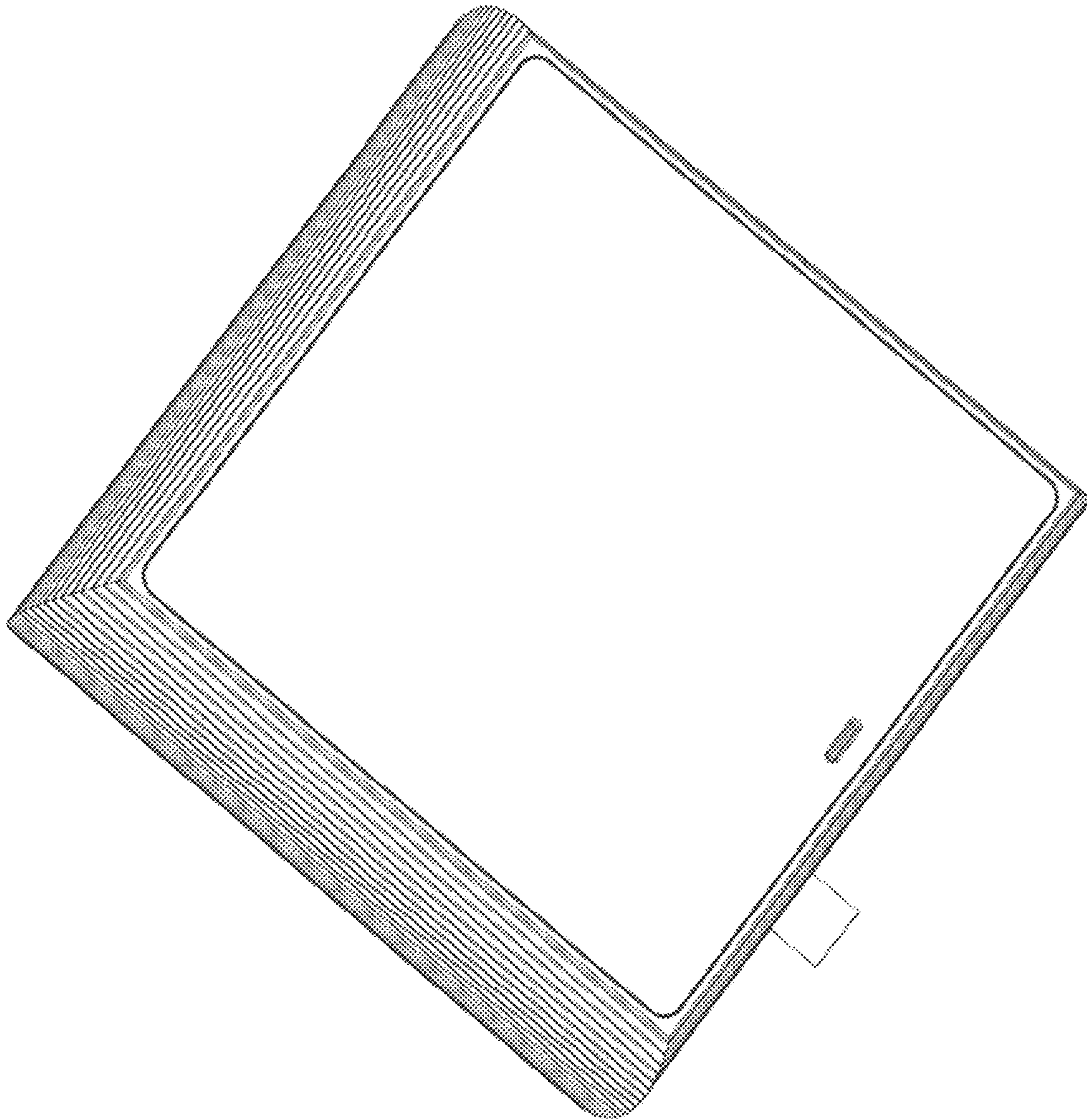


FIG. 34

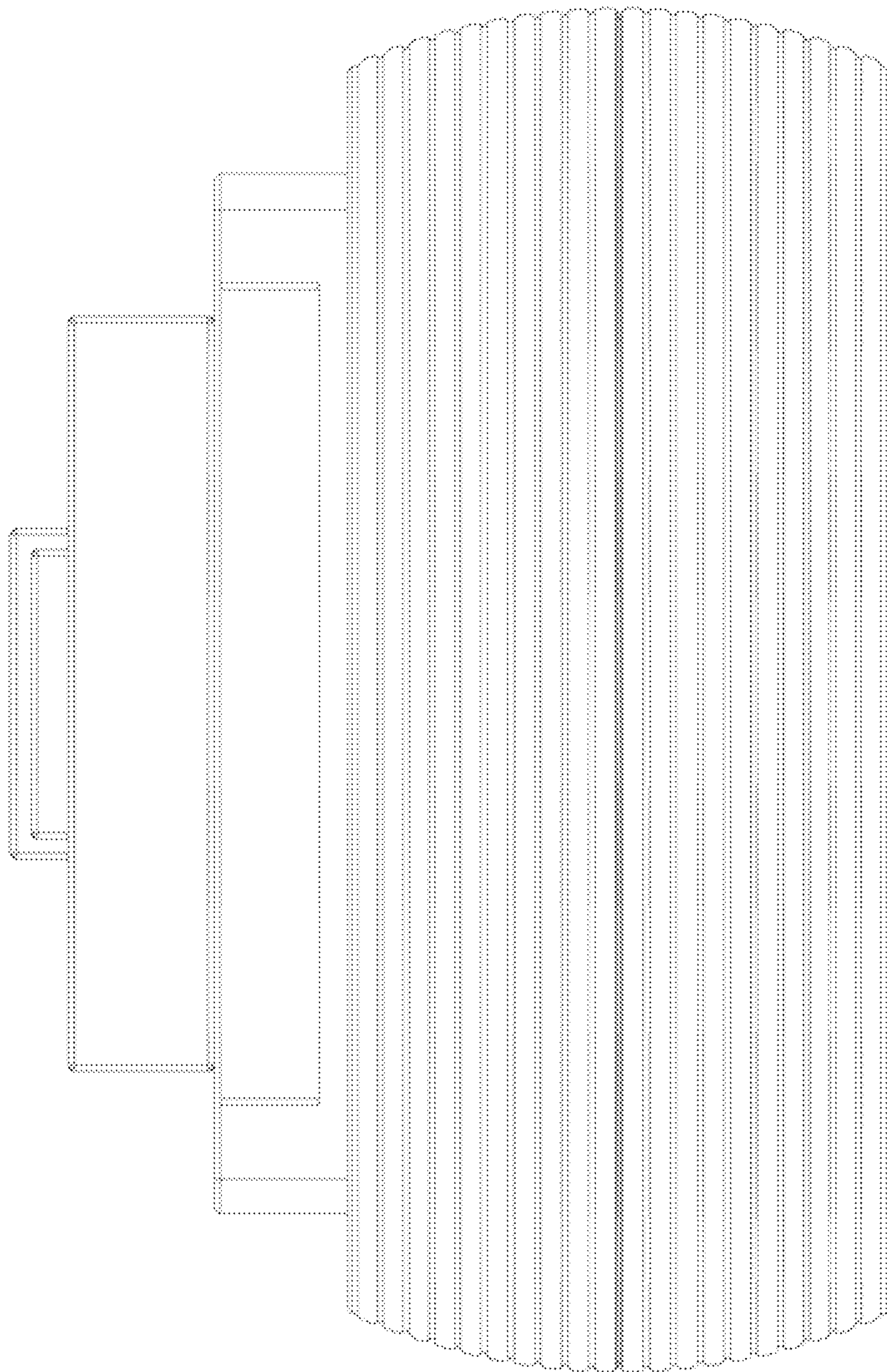


FIG. 35

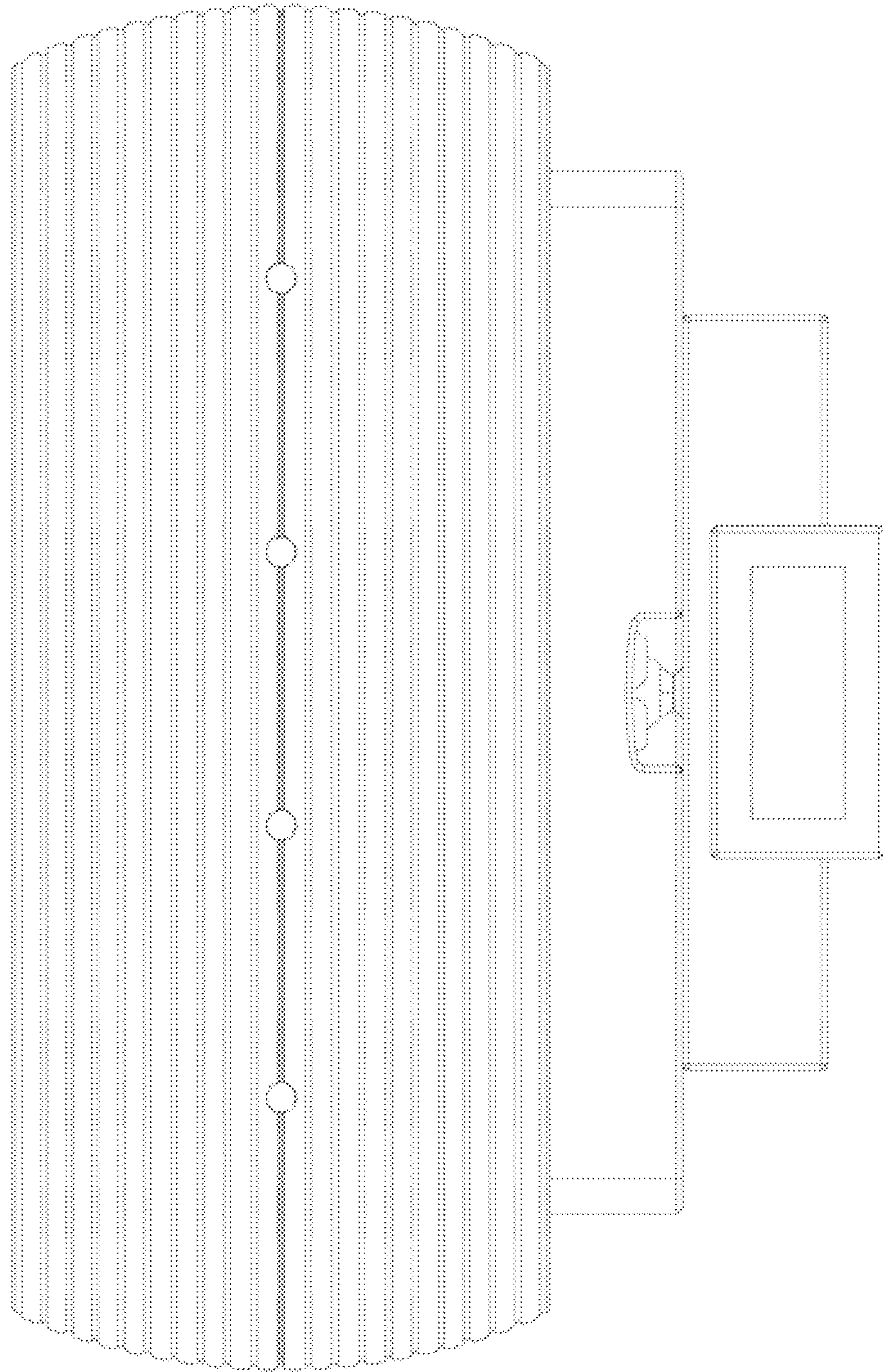


FIG. 36

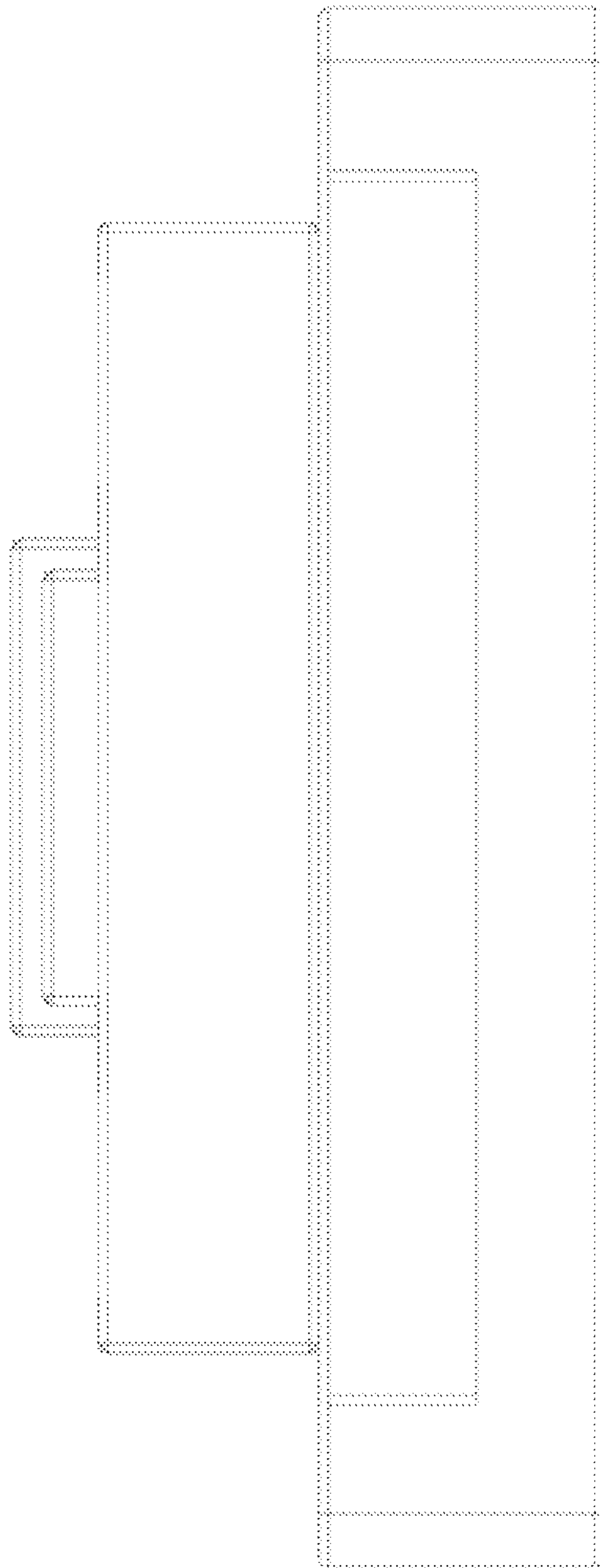


FIG. 37

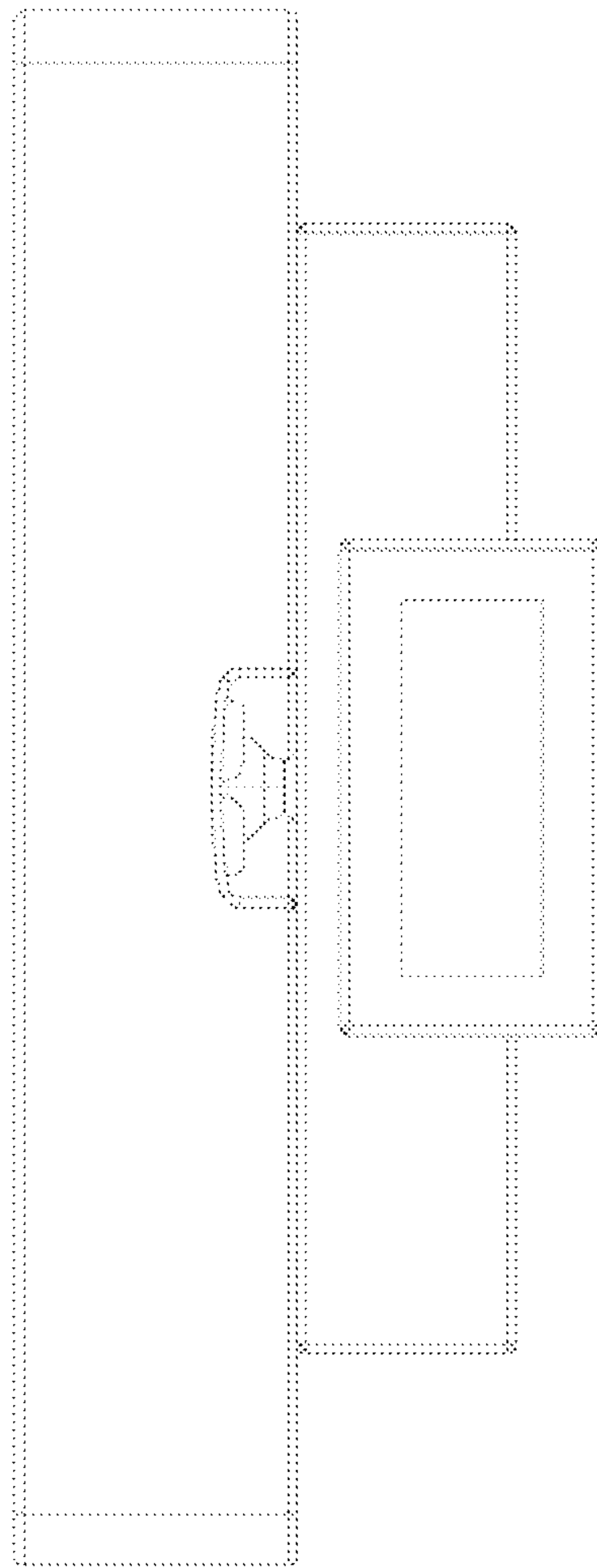


FIG. 38