



US00D791207S

(12) **United States Design Patent**  
**Haimer**

(10) **Patent No.:** **US D791,207 S**  
(45) **Date of Patent:** **\*\* Jul. 4, 2017**

- (54) **HEAT SHRINKING MACHINE**
- (71) Applicant: **Haimer GmbH**, Hollenbach-Igenhausen (DE)
- (72) Inventor: **Franz Haimer**, Igenhausen (DE)
- (73) Assignee: **Haimer GmbH**, Hollenbach-Igenhausen (DE)
- (\*\*) Term: **15 Years**
- (21) Appl. No.: **29/554,083**
- (22) Filed: **Feb. 8, 2016**

- 5,152,806 A \* 10/1992 Piper ..... B29C 65/78  
29/623.1
- 5,322,586 A \* 6/1994 McLean ..... B29C 65/18  
100/50
- 5,894,709 A \* 4/1999 Fosshage ..... B65B 9/067  
493/191
- 5,930,983 A \* 8/1999 Terminella ..... B65B 9/20  
53/133.4
- 6,332,305 B1 \* 12/2001 Takahashi ..... B29C 65/18  
493/271
- 6,689,180 B1 \* 2/2004 Liao ..... B65B 53/063  
34/211
- 6,761,016 B1 \* 7/2004 Soleri ..... B65B 9/023  
53/552

(Continued)

- (30) **Foreign Application Priority Data**
  - Aug. 6, 2015 (EM) ..... 002750588-0001
  - Aug. 6, 2015 (EM) ..... 002750588-0002
  - Aug. 6, 2015 (EM) ..... 002750588-0003
- (51) **LOC (10) Cl.** ..... **15-99**
- (52) **U.S. Cl.**
  - USPC ..... **D15/146**
- (58) **Field of Classification Search**
  - USPC ..... D15/122, 145, 146
  - CPC ..... B65B 9/067; B65B 59/00; B65B 57/12
  - See application file for complete search history.

- (56) **References Cited**
  - U.S. PATENT DOCUMENTS**
    - 3,392,506 A \* 7/1968 Haines ..... B29C 65/18  
53/329.3
    - 4,001,066 A \* 1/1977 Channing ..... B29C 65/02  
156/152
    - 4,176,507 A \* 12/1979 Mancini ..... B65B 7/2878  
53/282
    - 4,418,513 A \* 12/1983 Plahm ..... B65B 31/042  
53/373.2
    - D277,386 S \* 1/1985 Yamada ..... D15/146
    - D285,799 S \* 9/1986 Yamada ..... D15/146
    - D289,054 S \* 3/1987 Coleby ..... D15/127

**OTHER PUBLICATIONS**

Non-final Office Action issued in connection with U.S. Appl. No. 29/554,084, dated Dec. 21, 2016.  
(Continued)

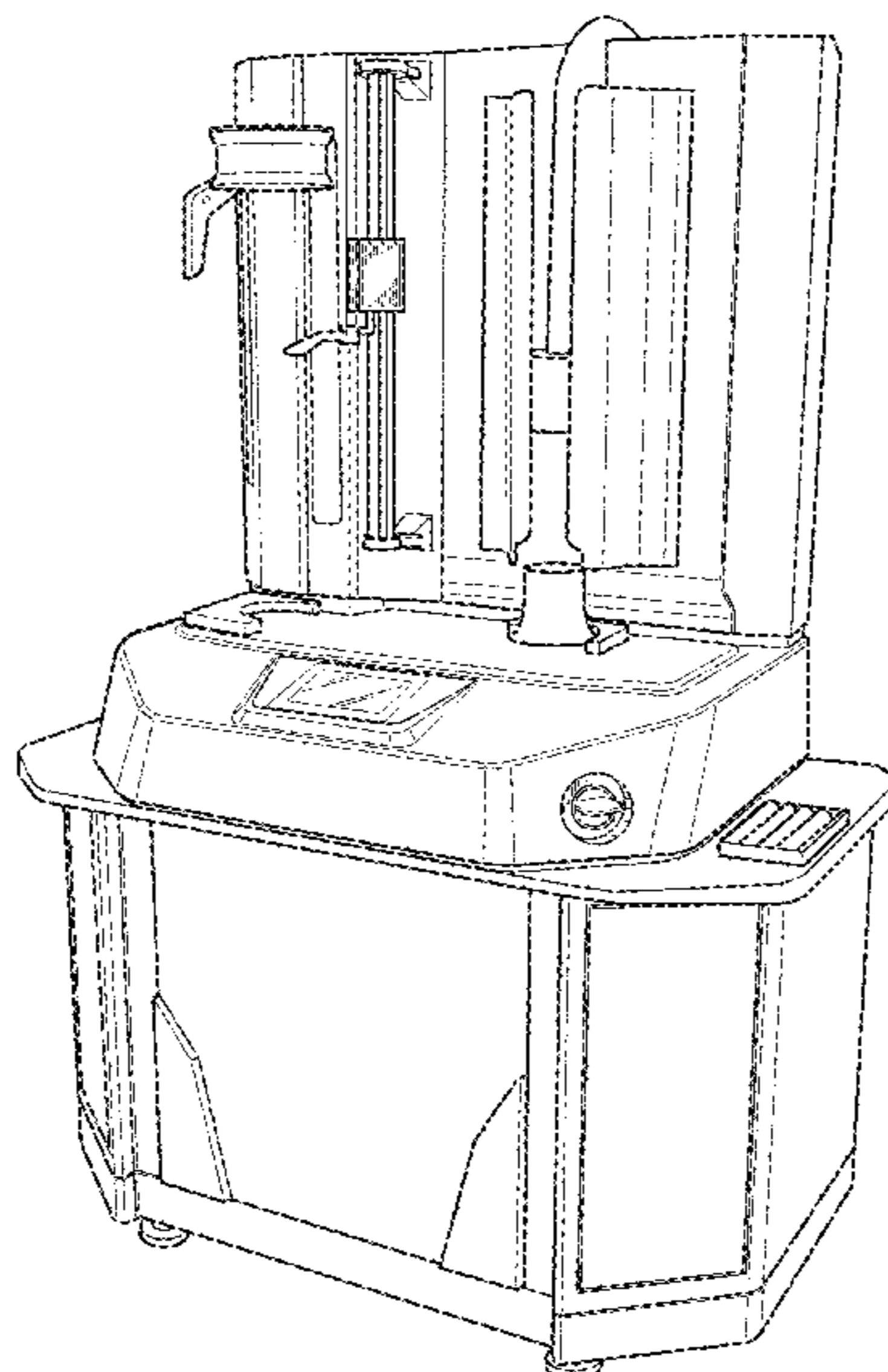
*Primary Examiner* — Patricia Palasik  
(74) *Attorney, Agent, or Firm* — Meunier Carlin & Curfman LLC

(57) **CLAIM**  
The ornamental design for a heat shrinking machine, as shown and described.

**DESCRIPTION**

FIG. 1 is a perspective view of my new design; FIG. 2 is a left-side view thereof; FIG. 3 is a right-side view thereof; FIG. 4 is a front view thereof; FIG. 5 is a rear view thereof; FIG. 6 is a top view thereof; and, FIG. 7 is a bottom view thereof. The broken lines in the drawings depict unclaimed environmental subject matter.

**1 Claim, 6 Drawing Sheets**



(56)

**References Cited**

U.S. PATENT DOCUMENTS

6,854,242 B2 \* 2/2005 Stork ..... B65B 9/067  
209/203  
7,325,374 B2 \* 2/2008 Chrisman ..... B65B 9/02  
53/203  
8,051,629 B2 \* 11/2011 Pazdernik ..... B65B 53/063  
219/388  
8,087,220 B2 \* 1/2012 Uttaro ..... B26D 1/565  
53/374.6  
8,631,555 B1 \* 1/2014 Favale ..... B65B 53/063  
29/525.01  
2002/0055803 A1 \* 5/2002 Stork ..... B65B 9/067  
700/112  
2004/0128957 A1 \* 7/2004 Guzman ..... B29C 66/73715  
53/550  
2004/0256058 A1 \* 12/2004 Irwin ..... B29C 65/18  
156/580  
2006/0272291 A1 \* 12/2006 Koke ..... B65B 31/024  
53/432

2010/0263336 A1 \* 10/2010 Uttaro ..... B26D 1/565  
53/550  
2011/0076079 A1 \* 3/2011 Robinson ..... B30B 15/028  
400/76  
2014/0196407 A1 \* 7/2014 Ghirardello ..... B65B 55/103  
53/426  
2016/0200470 A1 \* 7/2016 Zoboli ..... B65B 35/36  
53/441  
2016/0332755 A1 \* 11/2016 Yasuda ..... B29C 65/743

OTHER PUBLICATIONS

Non-final Office Action issued in connection with U.S. Appl. No. 29/554,085, dated Dec. 22, 2016.

Non-final Office Action issued in connection with U.S. Appl. No. 29/554,087, dated Dec. 22, 2016.

Non-final Office Action issued in connection with U.S. Appl. No. 29/554,088, dated Dec. 20, 2016.

\* cited by examiner

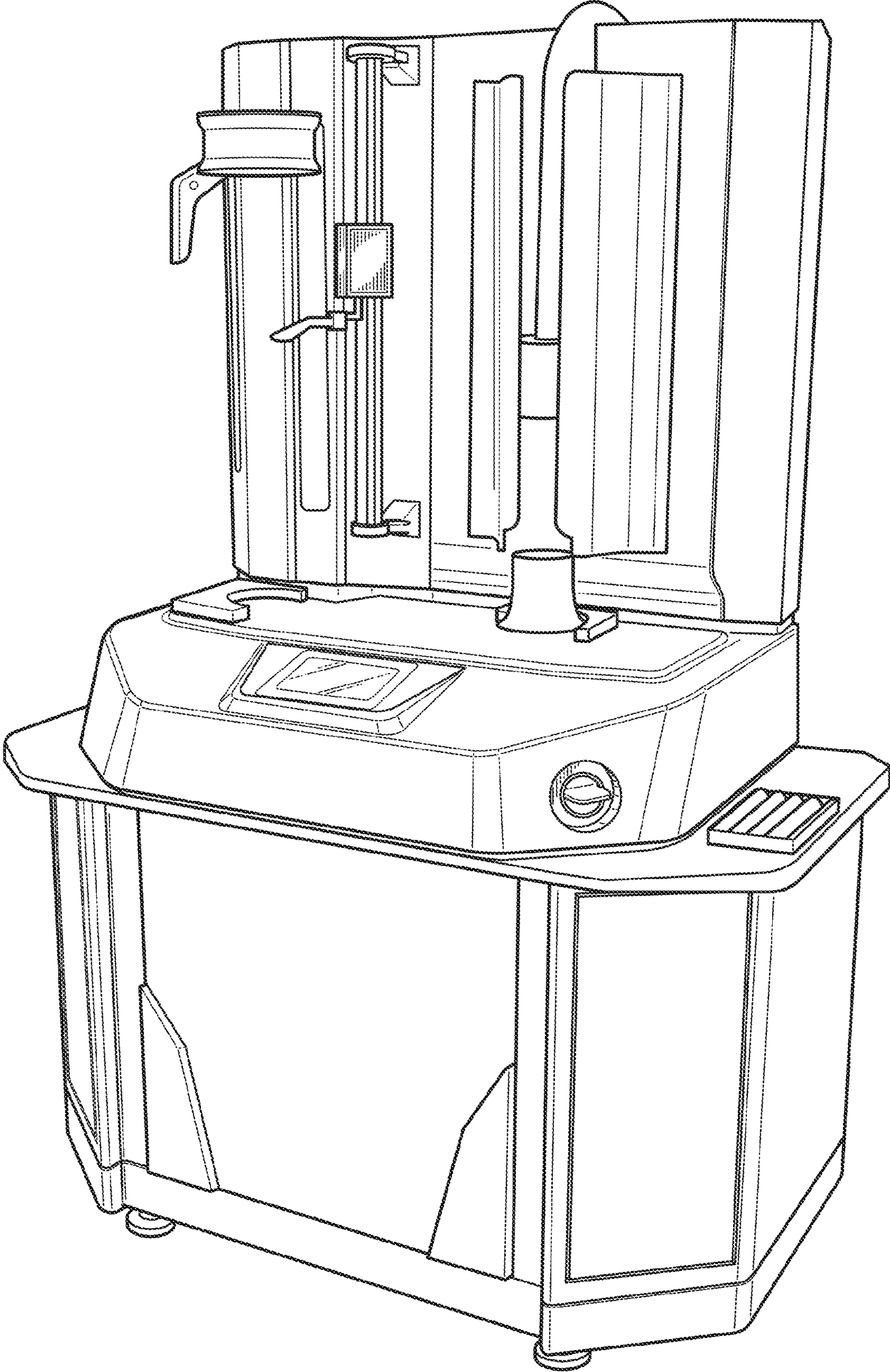


FIG. 1

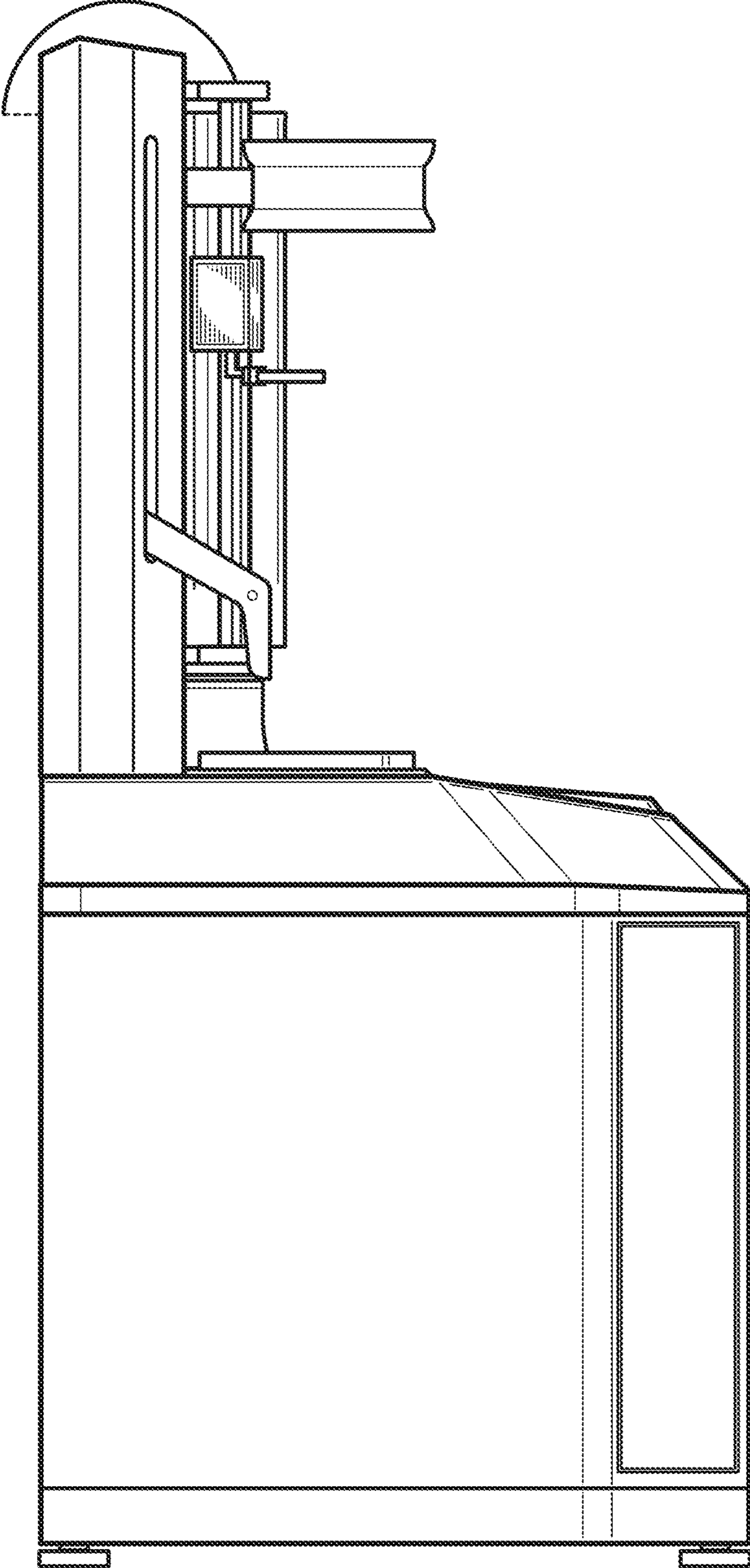


FIG. 2

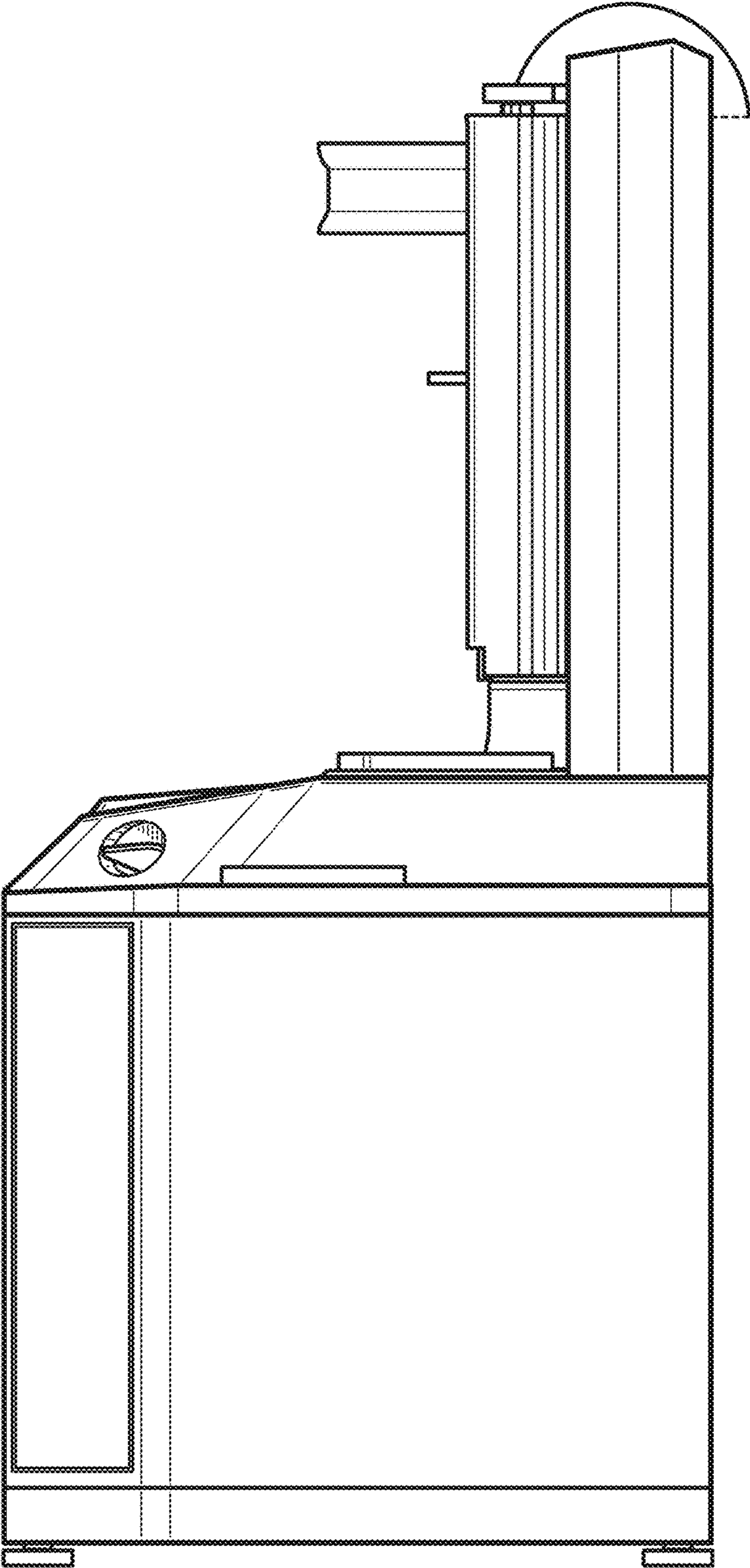


FIG. 3

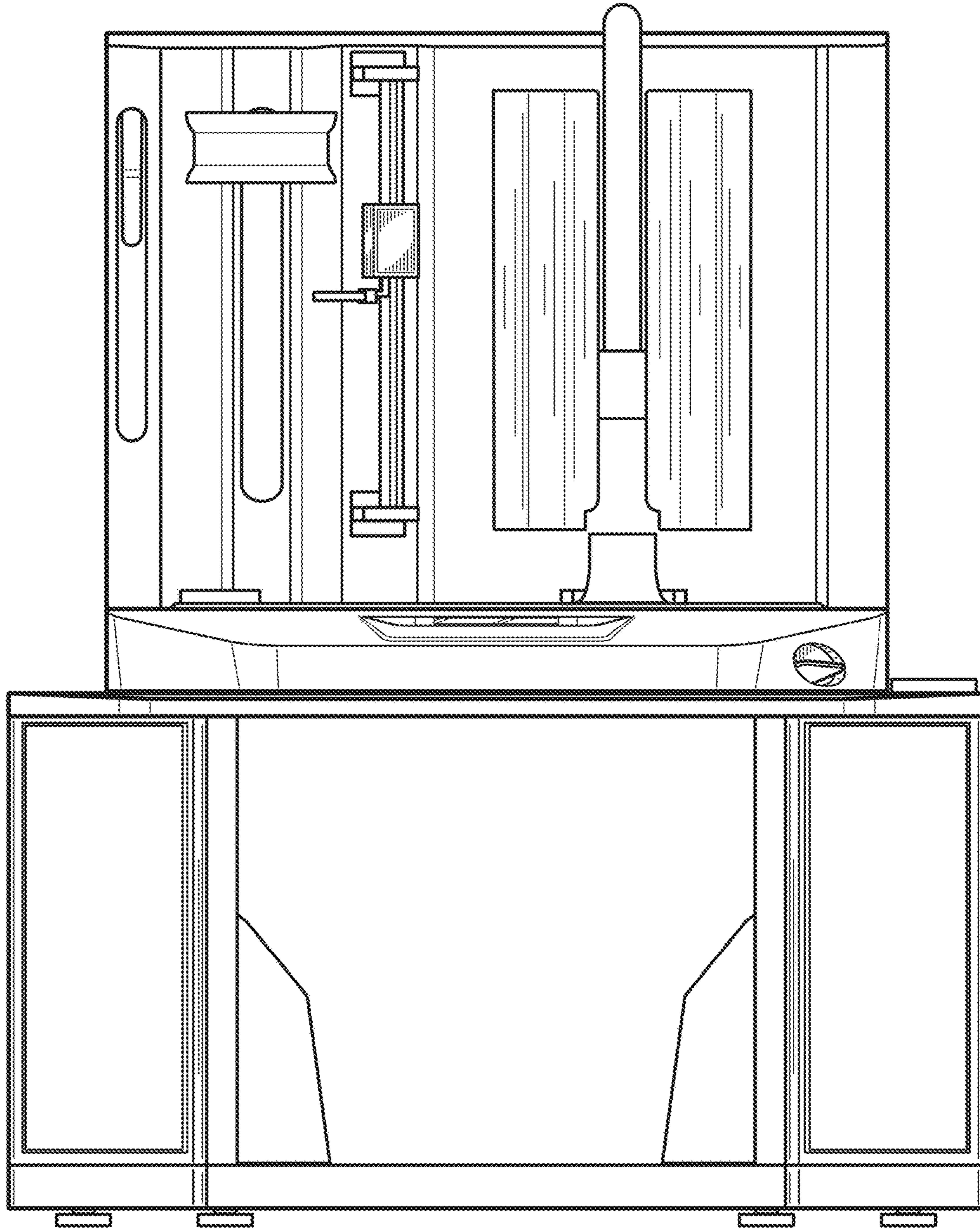


FIG. 4

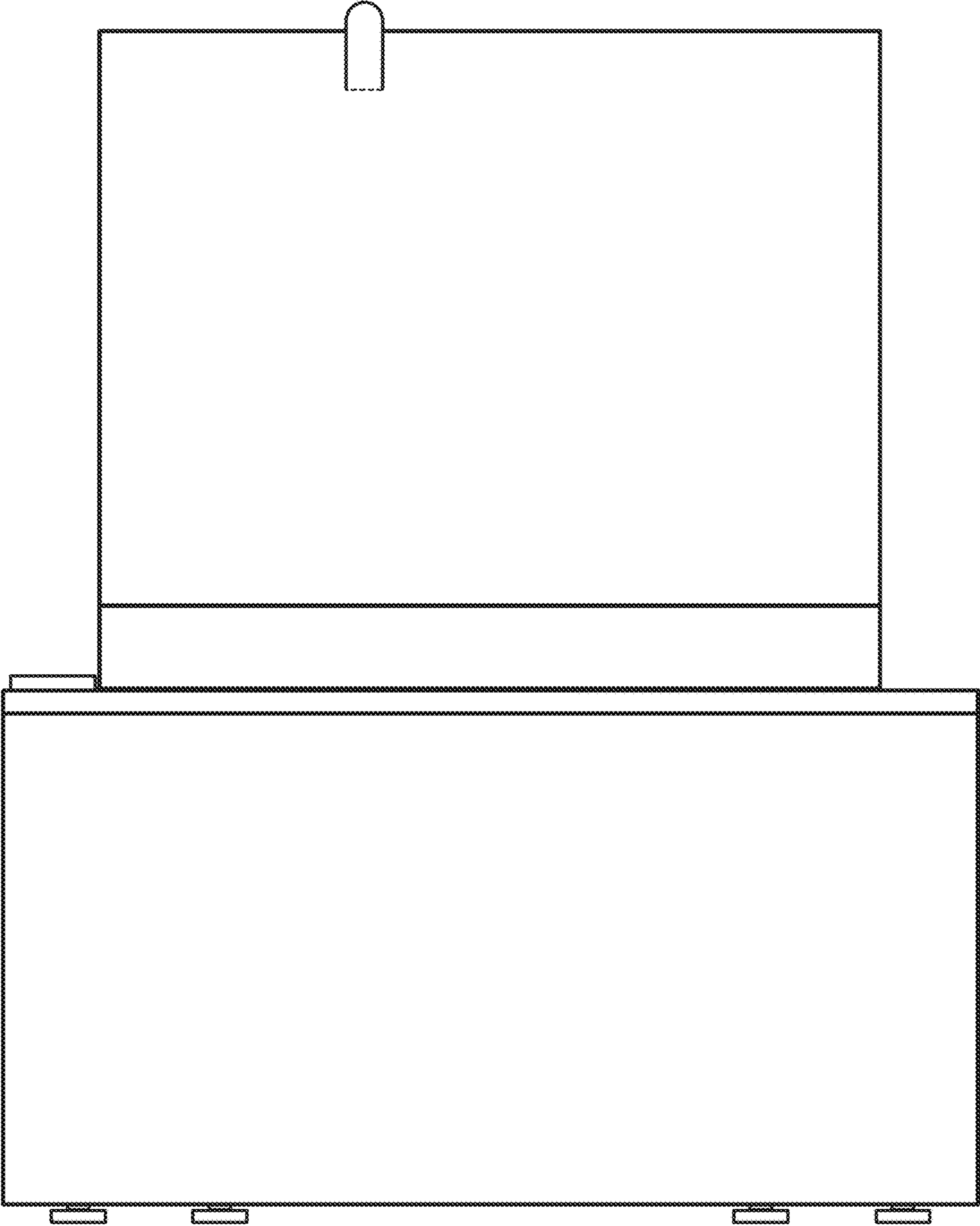


FIG. 5

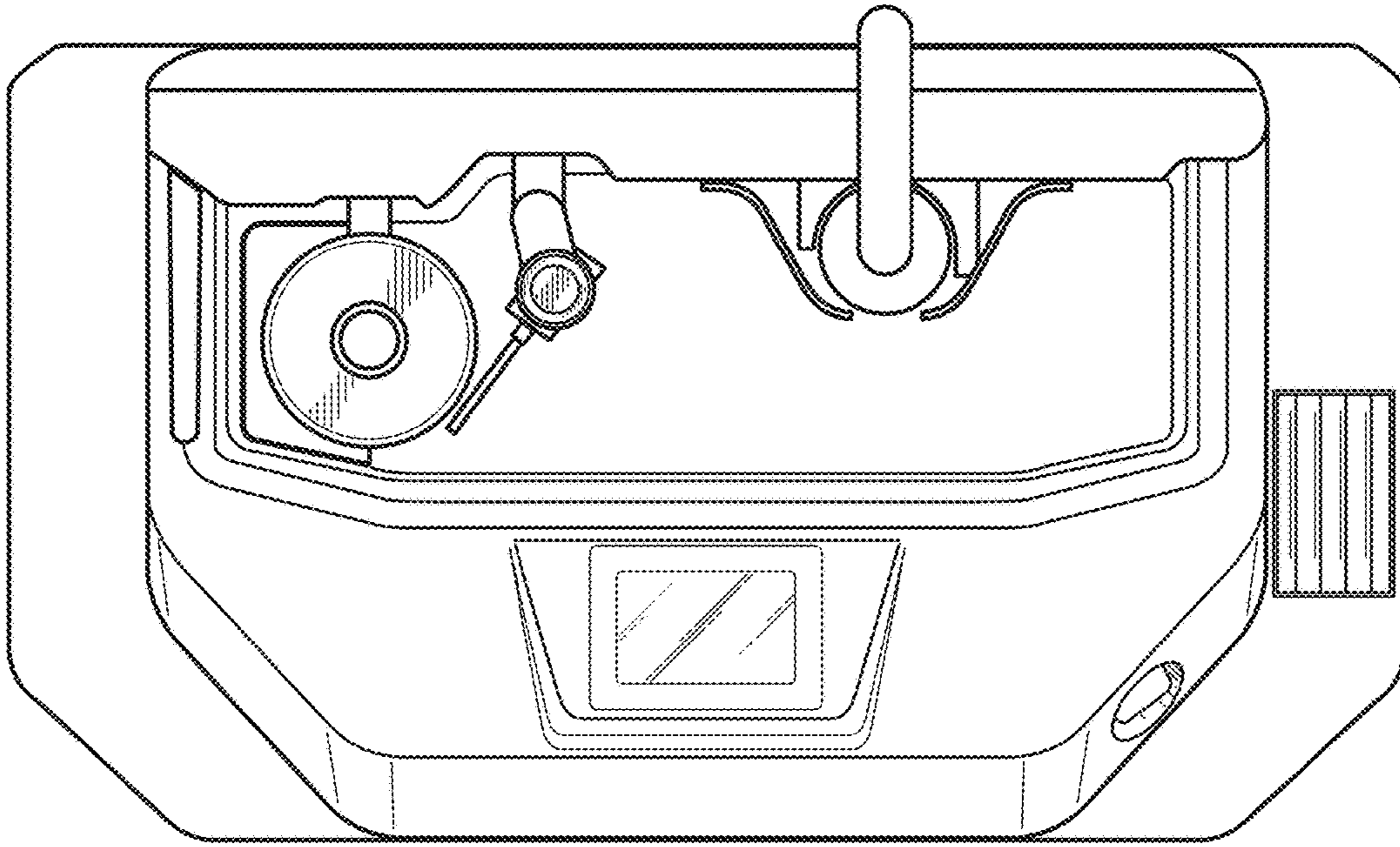


FIG. 6

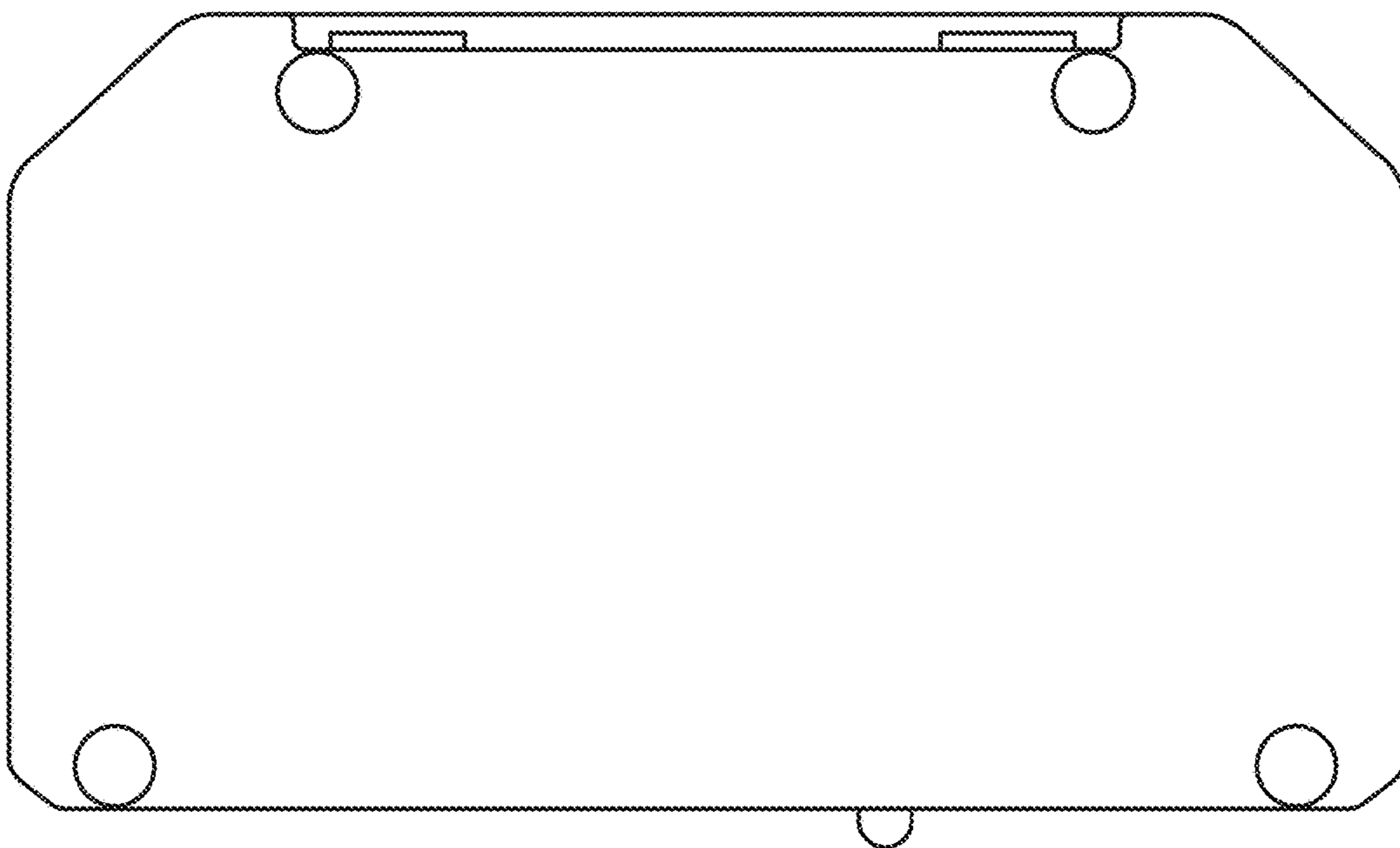


FIG. 7