



US00D791204S

(12) **United States Design Patent** (10) **Patent No.:** **US D791,204 S**
Hynek et al. (45) **Date of Patent:** **** Jul. 4, 2017**

- (54) **CNC MILLING MACHINE**
- (71) Applicants: **Martin Hynek**, Plzen (CZ); **Eduard Muller**, Most (CZ); **Antonin Max**, Netolice (CZ)
- (72) Inventors: **Martin Hynek**, Plzen (CZ); **Eduard Muller**, Most (CZ); **Antonin Max**, Netolice (CZ)
- (73) Assignee: **ZAPADOCESKA UNIVERZITA V PLZNI**, Plzen (CZ)
- (**) Term: **15 Years**
- (21) Appl. No.: **29/533,900**
- (22) Filed: **Aug. 4, 2015**
- (51) **LOC (10) Cl.** **15-09**
- (52) **U.S. Cl.**
USPC **D15/131**
- (58) **Field of Classification Search**
USPC D15/122, 124, 127, 128, 130, 131;
29/560, 568; 209/139.1; 241/65, 79.1,
241/80, 117, 119, 121, 130, 159, 224,
241/227, 230, 232
See application file for complete search history.

D319,834 S *	9/1991	Rutschle	D15/131
D328,467 S *	8/1992	Maleschew	D15/131
D336,749 S *	6/1993	Lenard	D15/127
D338,212 S *	8/1993	Corsi	D15/131
D398,618 S *	9/1998	Aoyama	D15/131
D400,895 S *	11/1998	Schrepfer	D15/131
D495,723 S *	9/2004	Kawamura	D15/127
D552,134 S *	10/2007	Nakano	D15/131
D578,144 S *	10/2008	Arisue	D15/122
D588,173 S *	3/2009	Arisue	D15/122
D612,873 S *	3/2010	Spinelli	D15/131
D667,032 S *	9/2012	Egami	D15/122
D693,859 S *	11/2013	Kitamura	D15/122
D706,320 S *	6/2014	Hynek	D15/131
D716,351 S *	10/2014	Kitamura	D15/122
D731,566 S *	6/2015	Shimano	D15/127
D759,738 S *	6/2016	Schönherr	D15/122

* cited by examiner

Primary Examiner — Patricia Palasik

(57) **CLAIM**

The ornamental design for a CNC milling machine, as shown and described.

DESCRIPTION

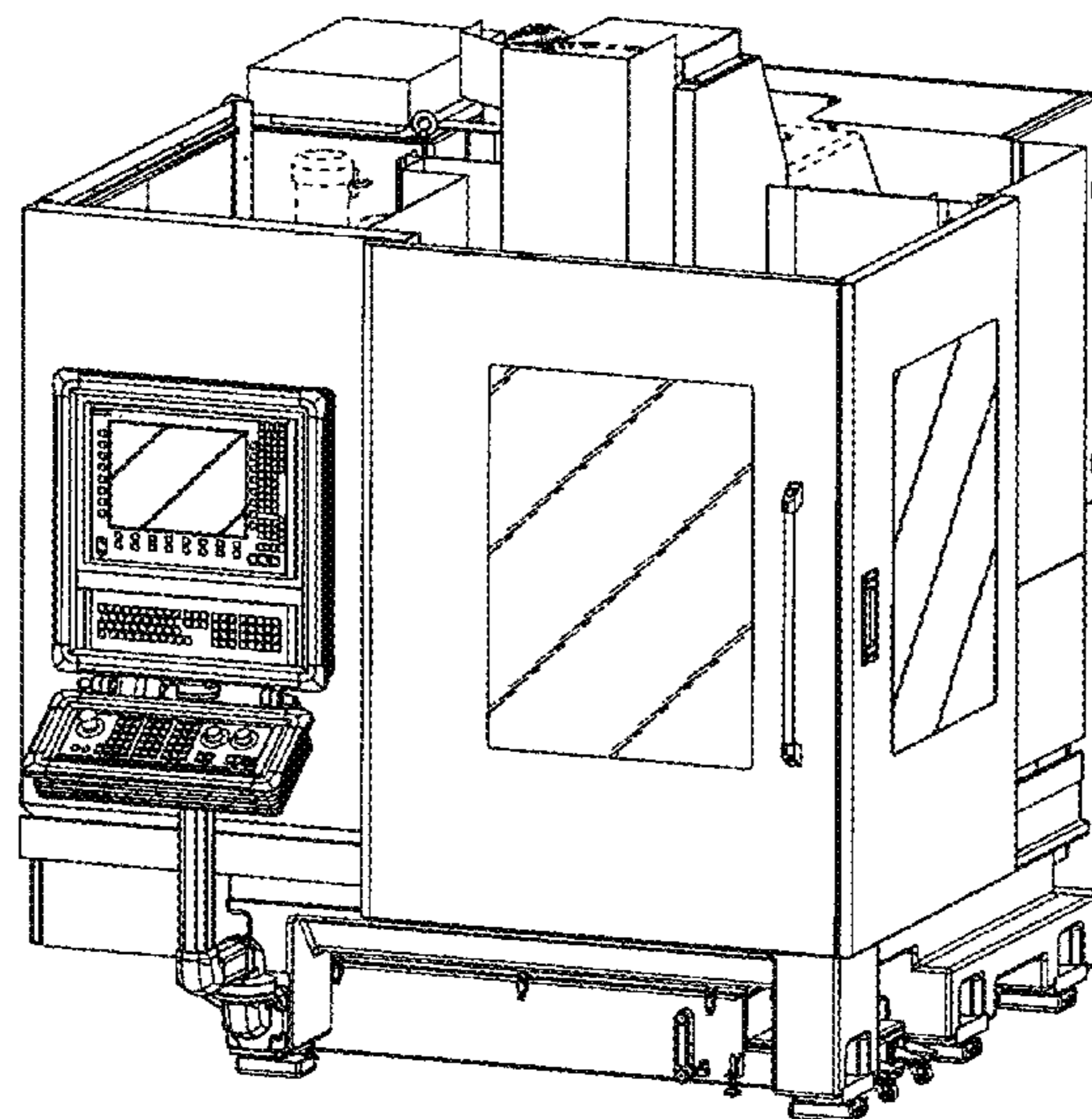
FIG. 1 is a perspective front view of a CNC milling machine showing my new design;
 FIG. 2 is a perspective left view thereof;
 FIG. 3 is a perspective rear view thereof;
 FIG. 4 is a front elevational view thereof;
 FIG. 5 is a side elevational view taken from the left side of FIG. 4;
 FIG. 6 is a side elevational view taken from the right side of FIG. 4;
 FIG. 7 is a bottom plan view thereof; and,
 FIG. 8 is a top plan view thereof.
 The broken lines in the drawings depict unclaimed environmental subject matter.

1 Claim, 8 Drawing Sheets

(56) **References Cited**

U.S. PATENT DOCUMENTS

3,266,502 A *	8/1966	Copeland	C23F 1/08 134/107
4,443,929 A *	4/1984	Bayer	B23Q 3/15713 483/32
D302,163 S *	7/1989	Itoh	D15/122
D302,164 S *	7/1989	Itoh	D15/122
D309,146 S *	7/1990	Nemetz	D15/131
5,025,539 A *	6/1991	Stark	B23Q 1/48 29/26 A



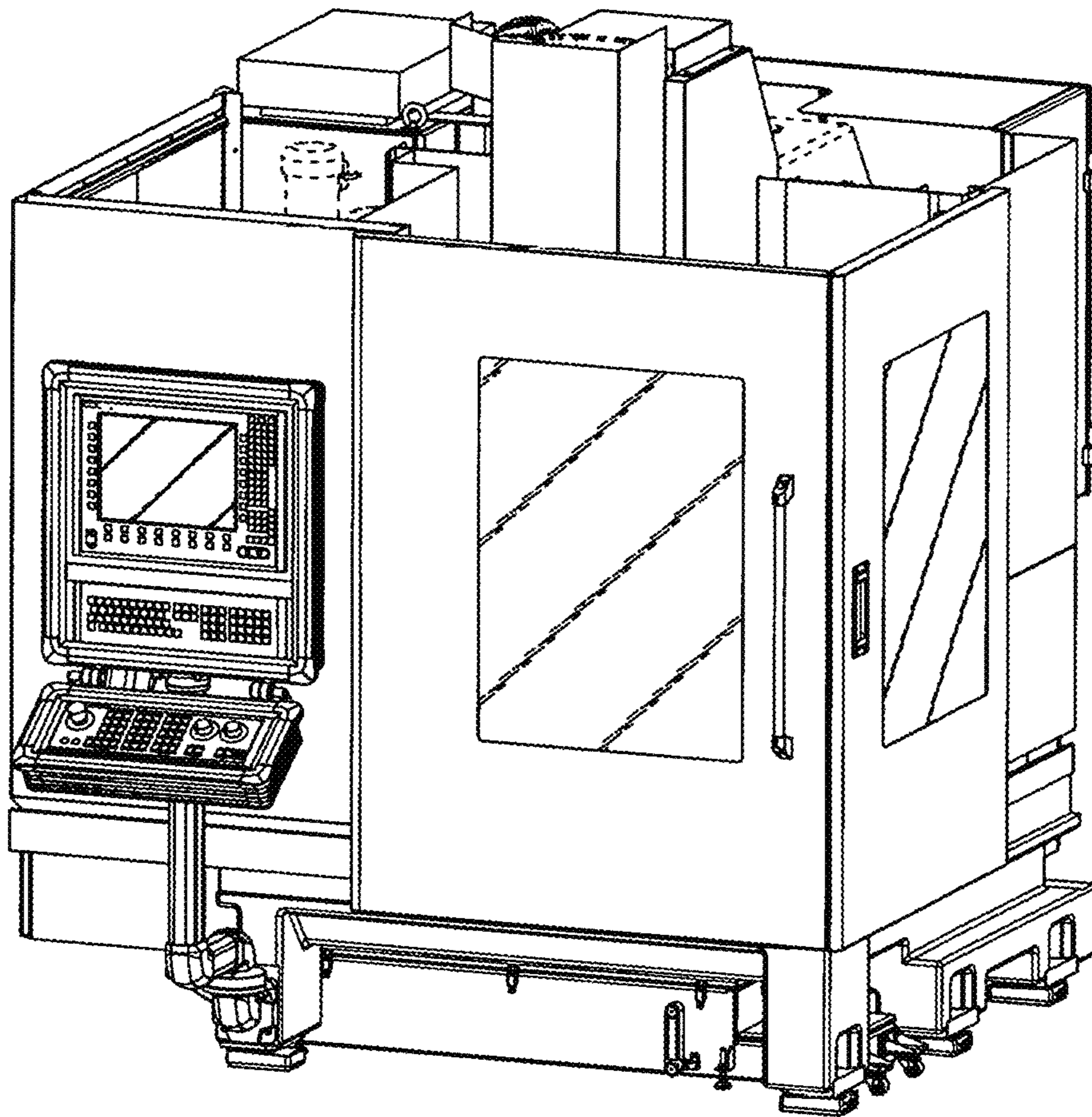


FIGURE 1

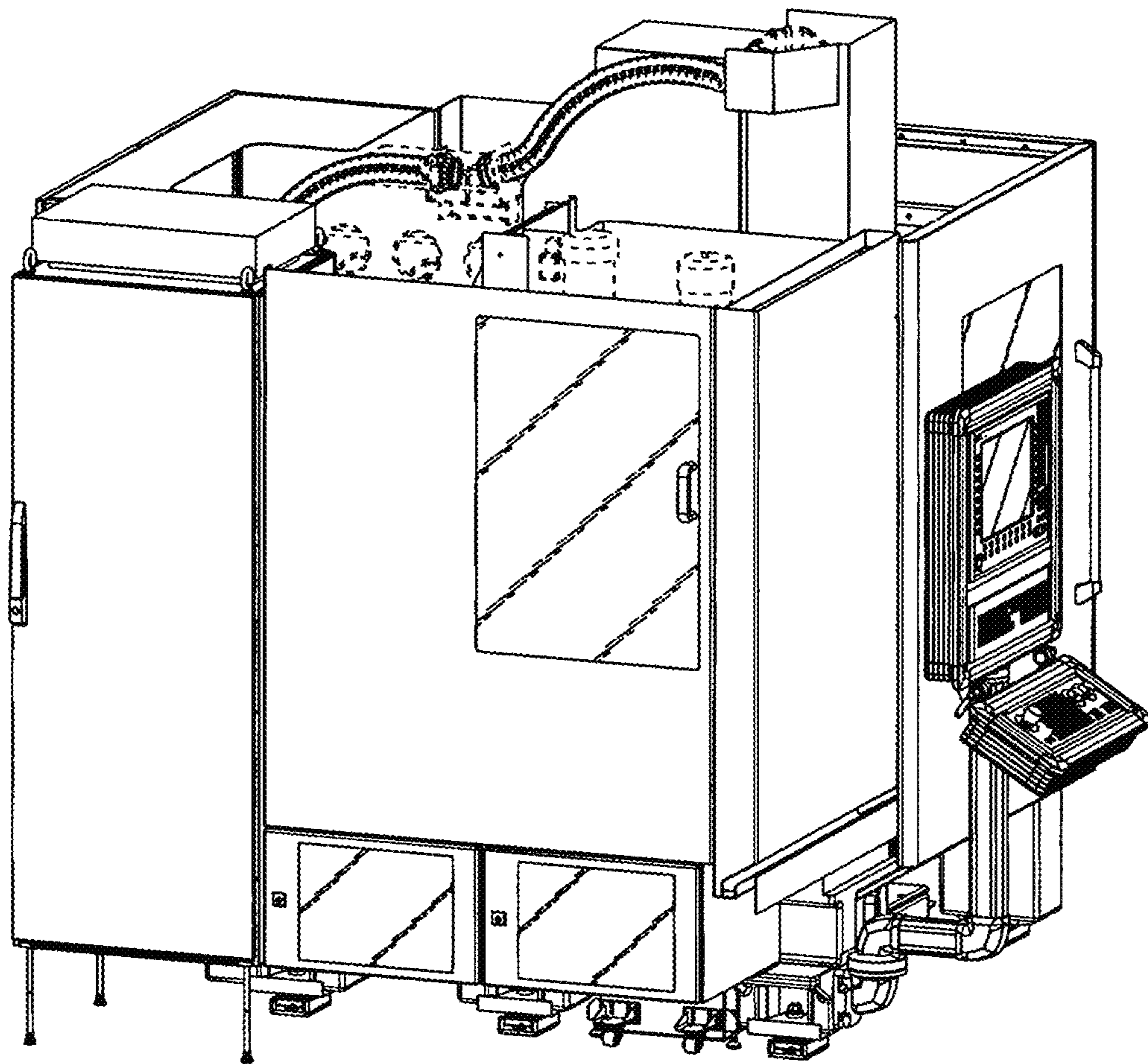


FIGURE 2

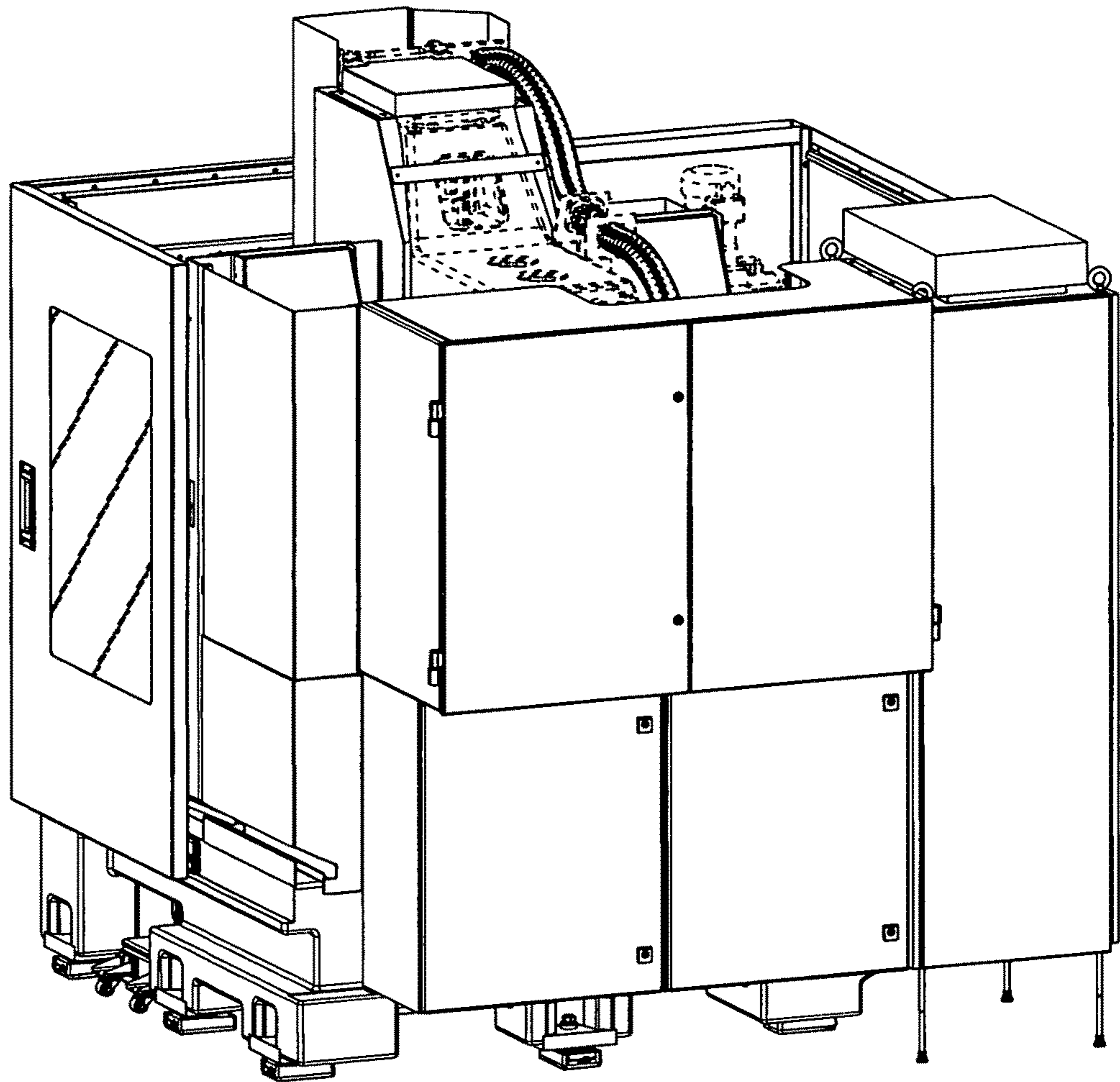


FIGURE 3

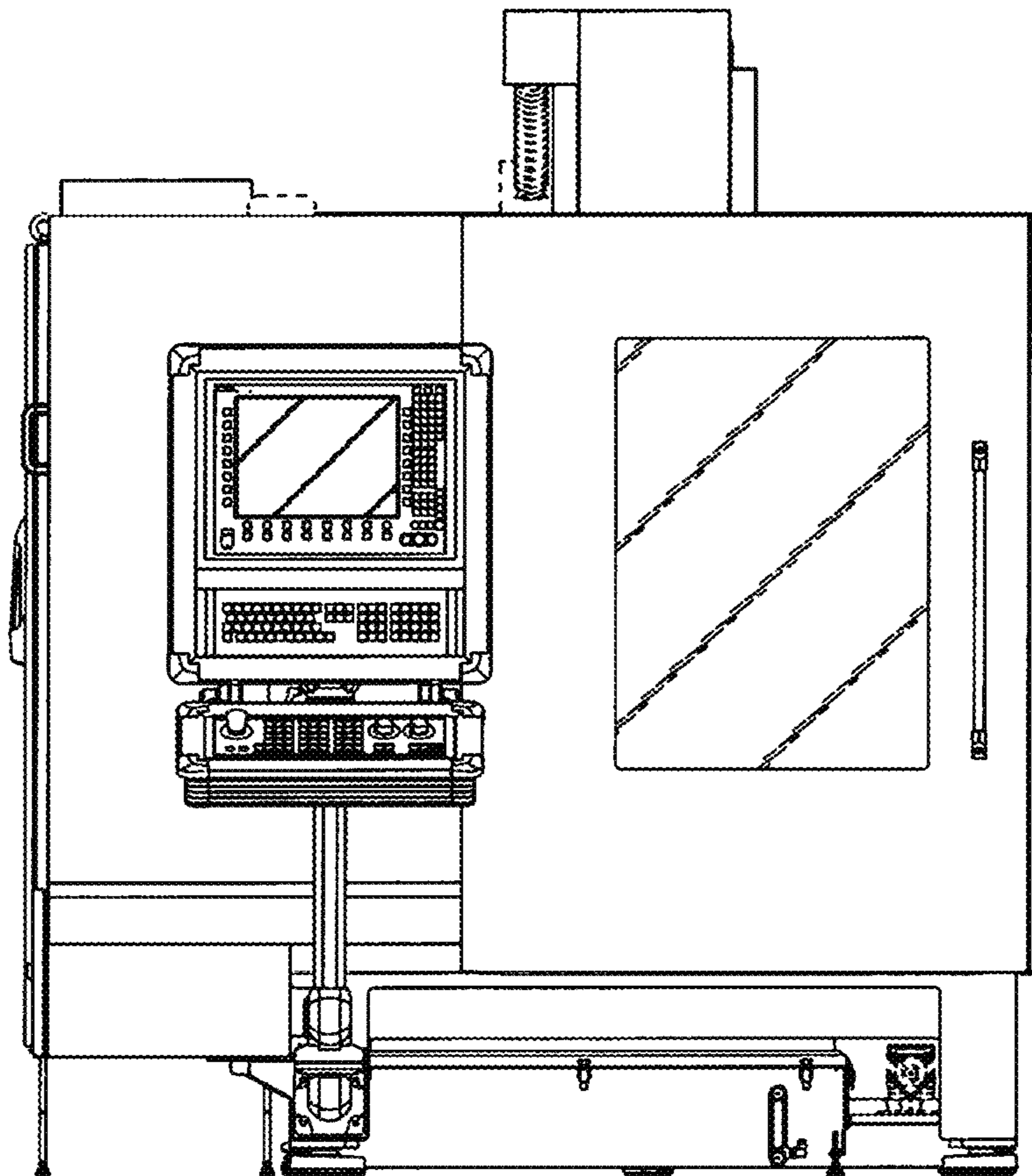


FIGURE 4

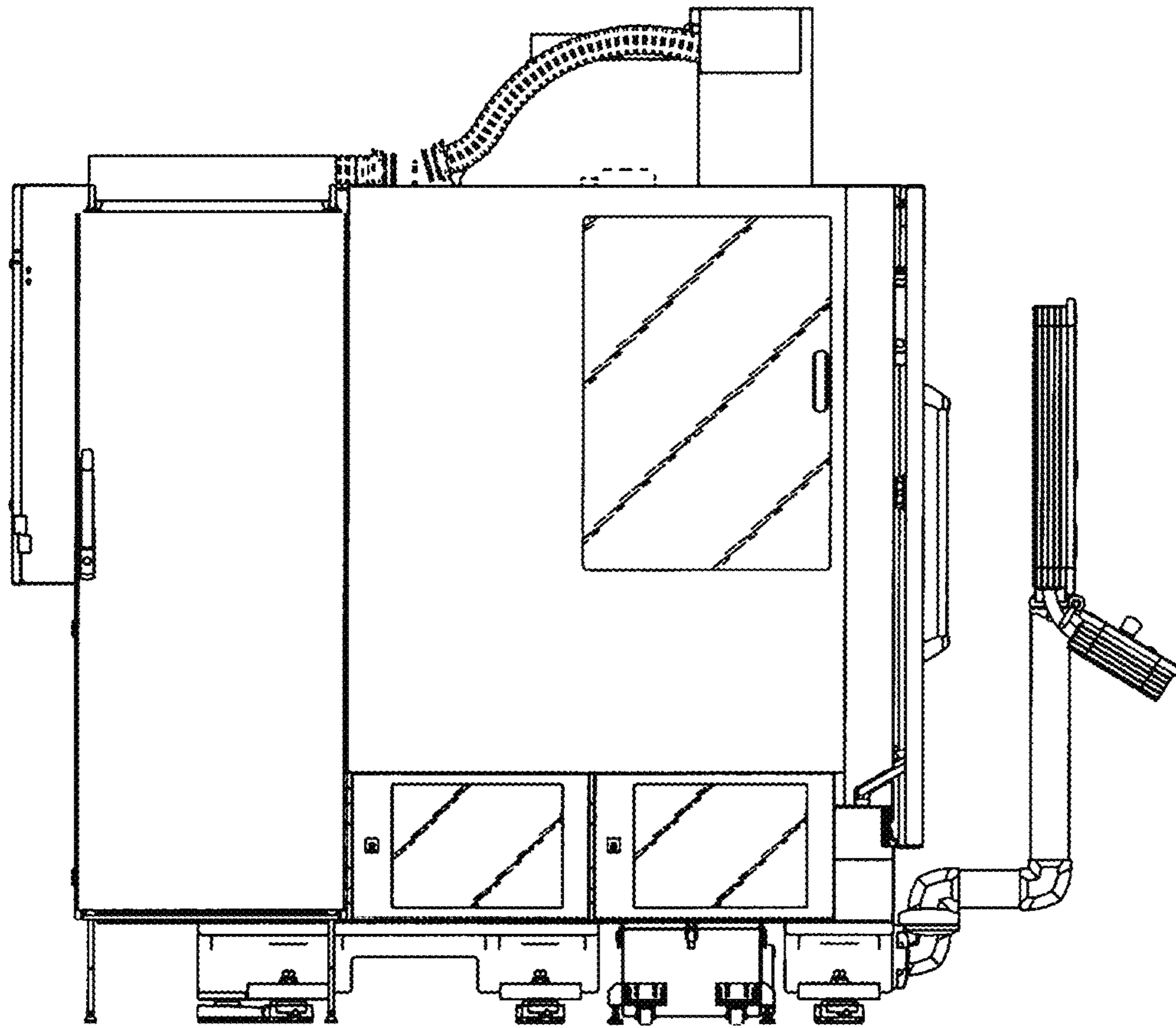


FIGURE 5

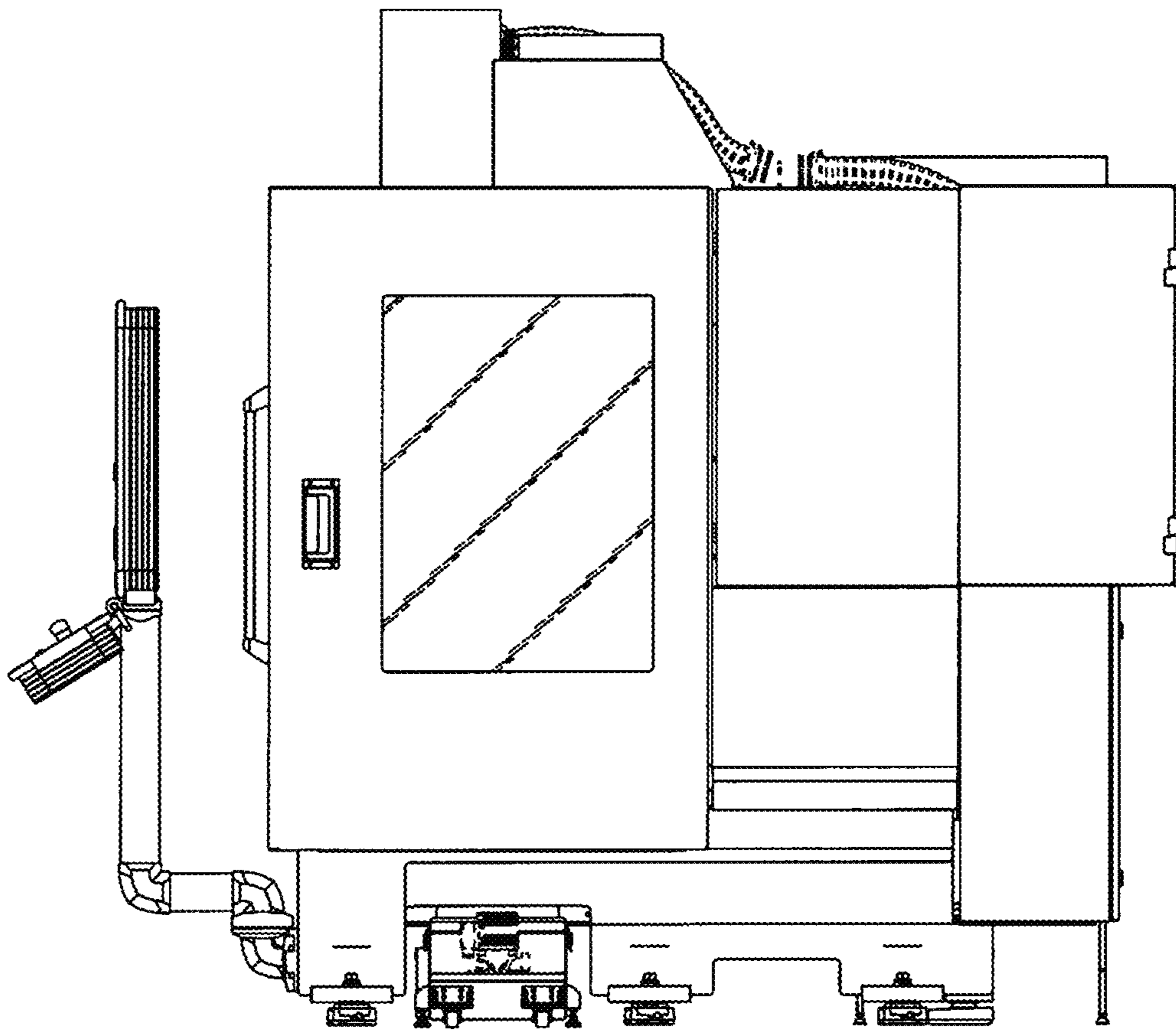


FIGURE 6

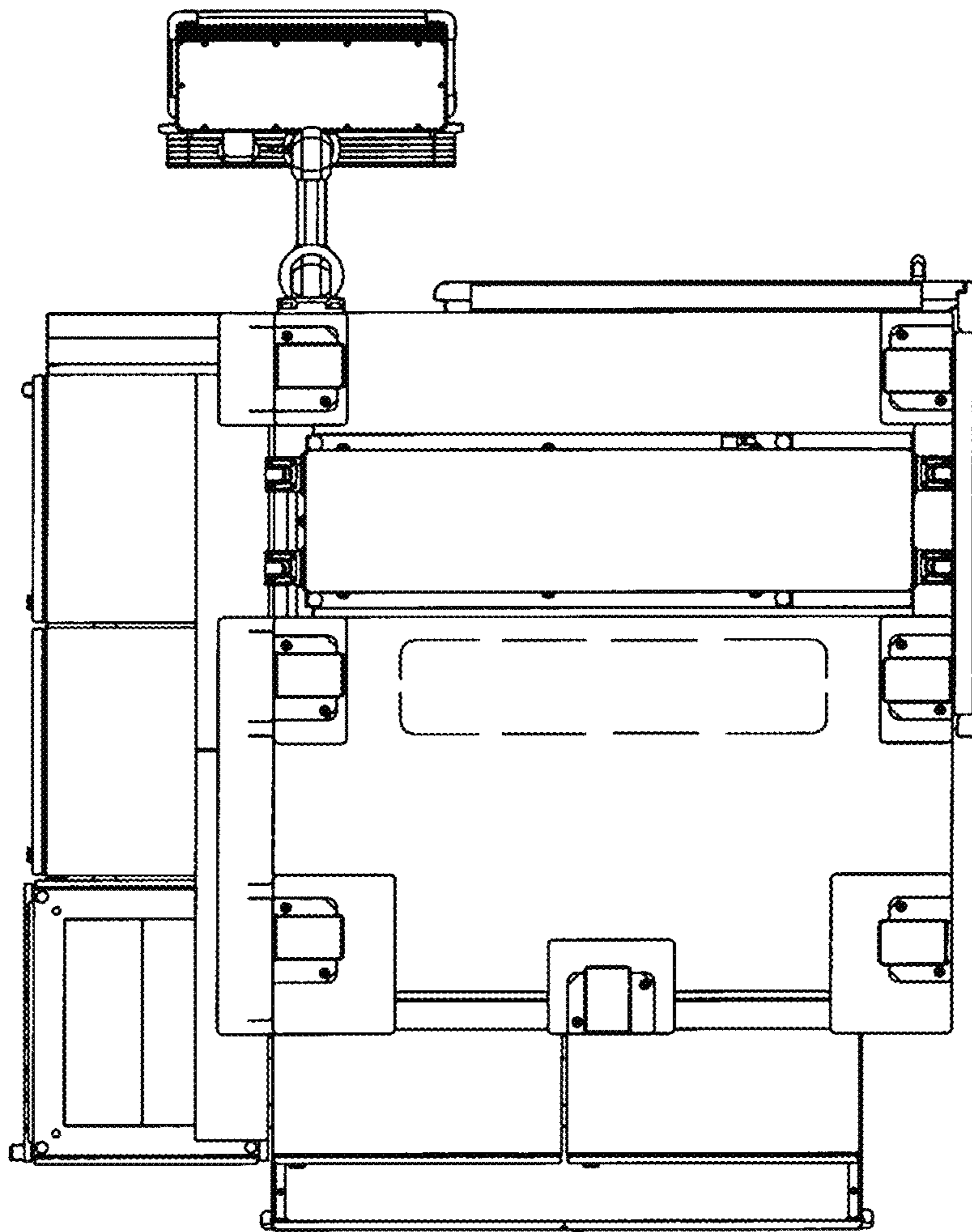


FIGURE 7

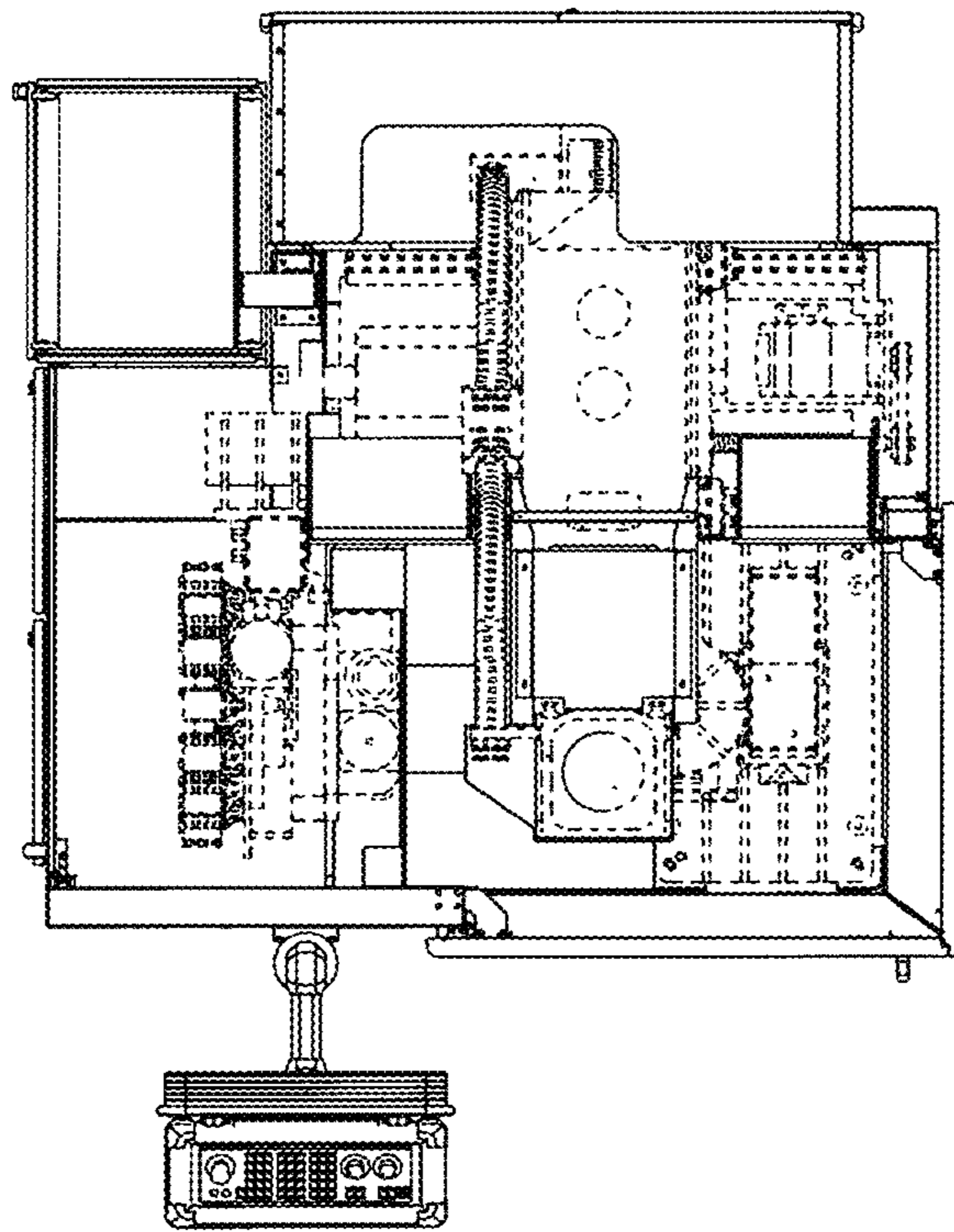


FIGURE 8