



US00D791201S

(12) **United States Design Patent**
Kim et al.

(10) **Patent No.: US D791,201 S**

(45) **Date of Patent: ** Jul. 4, 2017**

(54) **ICE PACK**

D706,842 S * 6/2014 Maggioni D15/90
D711,439 S * 8/2014 Garg D15/90
D711,945 S * 8/2014 Garg D15/90

(71) Applicant: **SAMSUNG ELECTRONICS CO., LTD.**, Suwon-si (KR)

FOREIGN PATENT DOCUMENTS

(72) Inventors: **Ki-Soo Kim**, Gunpo-Si (KR);
Byeong-Soo Kim, Seoul (KR)

CN 201130118232.4 1/2012
KR 30-2006-0048138 10/2007

(73) Assignee: **Samsung Electronics Co., Ltd.**, Suwon-si (KR)

OTHER PUBLICATIONS

(**) Term: **15 Years**

Bryan. "New Product—Grizzly Frozen Divider". [2014]. www.grizzlycoolers.com Mar. 13, 2014 <http://www.grizzlycoolers.com/news/2014/03/1/new-product-grizzly-frozen-divider/>. Shop4scouts. "Kampa Slim Ice Pack 200ML 400ML 600ML Cool Bag Freezer Camping Block Board Gel". [2016]. www.ebay.co.uk Apr. 11, 2016 <http://www.ebay.co.uk/itm/KAMPA-SLIM-ICE-PACK-200ML-400ML-600ML-COOL-BAG-FREEZER-CAMPING-BLOCK-BOARD-GEL-/330898305808>.

(21) Appl. No.: **29/567,757**

(22) Filed: **Jun. 13, 2016**

(30) **Foreign Application Priority Data**

Dec. 22, 2015 (KR) 30-2015-0065634

* cited by examiner

(51) **LOC (10) Cl.** **15-07**

Primary Examiner — Ian Simmons

(52) **U.S. Cl.**
USPC **D15/90**

Assistant Examiner — Khawaja Anwar

(58) **Field of Classification Search**
USPC D15/79–91
CPC F25D 3/08; F25D 11/00; F25D 11/006;
F25D 2331/804; F25D 2400/38; F25D
11/025; F25D 2303/08222; F25D
2303/0832; F25D 2303/0843; F25D
2303/0844; F25D 2303/0845; F25D
23/06; F25D 2400/10; F25D 2400/12;
F25D 2400/16

(74) *Attorney, Agent, or Firm* — NSIP Law

See application file for complete search history.

(57) **CLAIM**

We claim the ornamental design for an ice pack, as shown and described.

(56) **References Cited**

DESCRIPTION

U.S. PATENT DOCUMENTS

D360,532 S * 7/1995 Suneborn D15/90
D473,572 S * 4/2003 Linberg D15/90
D537,851 S * 3/2007 Mount D15/90
D538,309 S * 3/2007 Mount D15/90
D650,398 S 12/2011 Hannon
D698,931 S * 2/2014 Wang D24/206
D700,637 S * 3/2014 Maggioni D15/90

FIG. 1 is a front perspective view of an ice pack showing our new design;
bFIG. 2 is a front view thereof;
FIG. 3 is a rear view thereof;
FIG. 4 is a left-side view thereof;
FIG. 5 is a right-side view thereof;
FIG. 6 is a top view thereof;
FIG. 7 is a bottom view thereof; and,
FIG. 8 is a rear perspective view thereof.
The broken lines in the figures depict environmental subject matter and form no part of the claimed design.

1 Claim, 6 Drawing Sheets

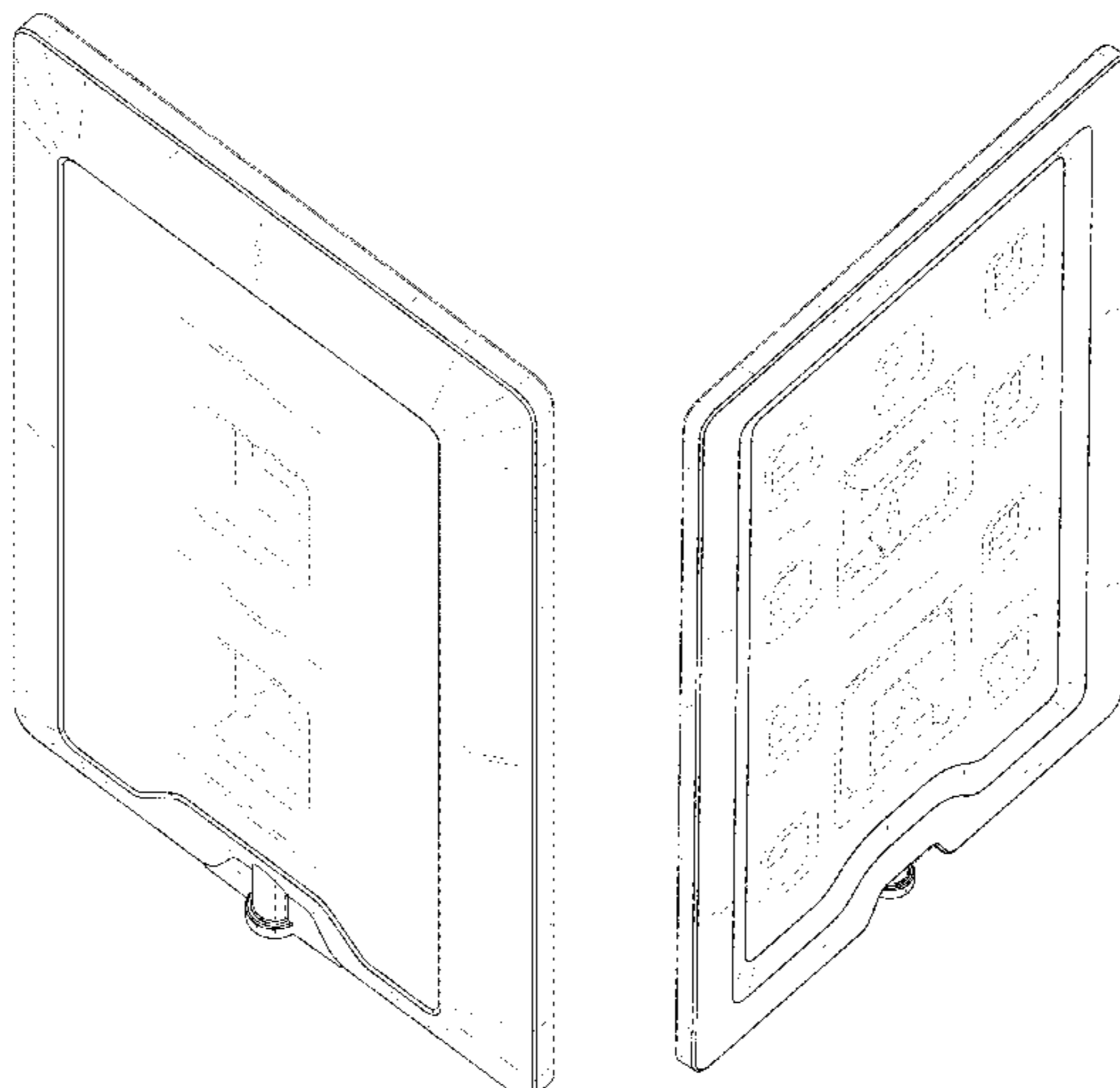


FIG. 1

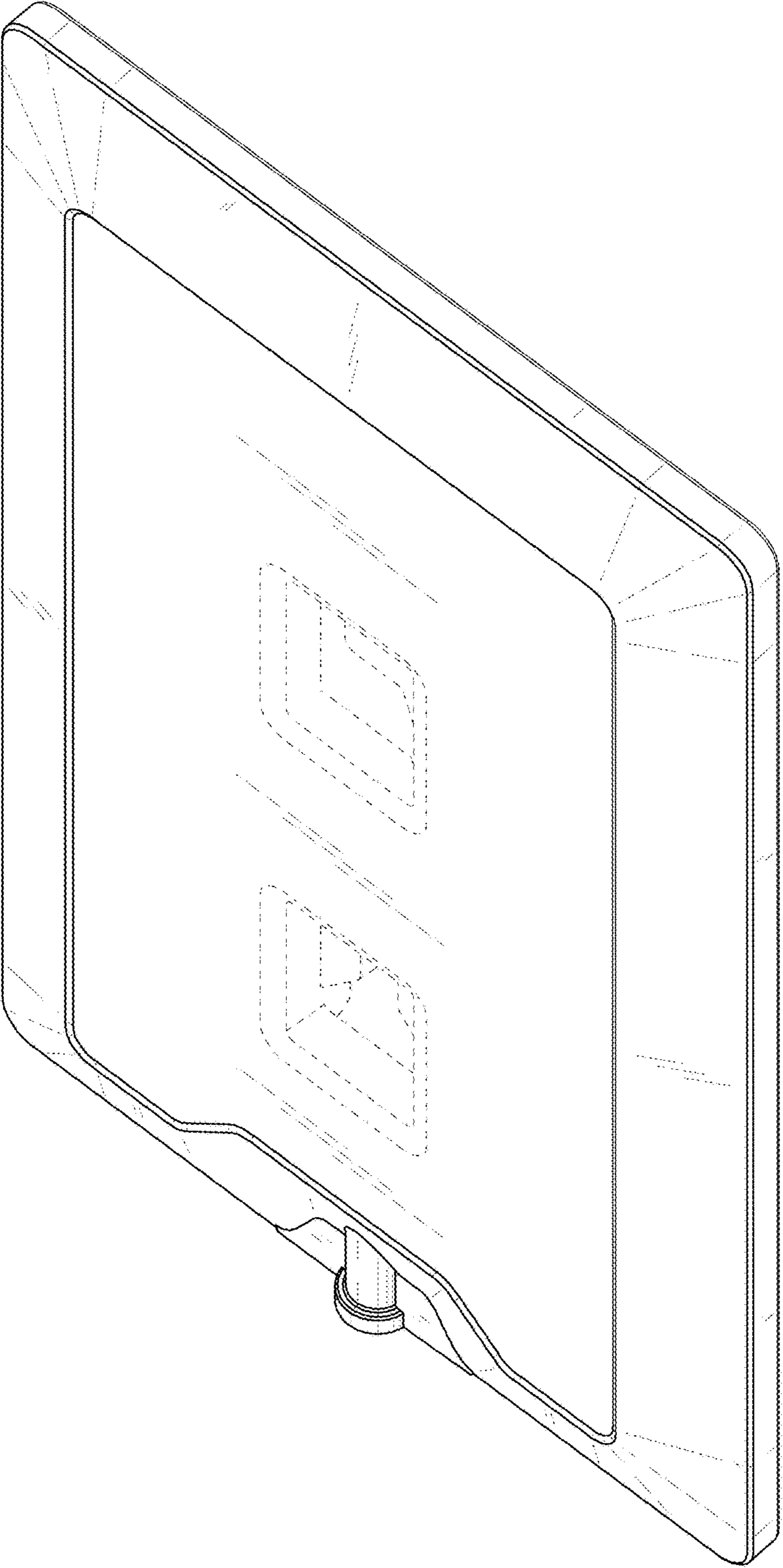


FIG. 2

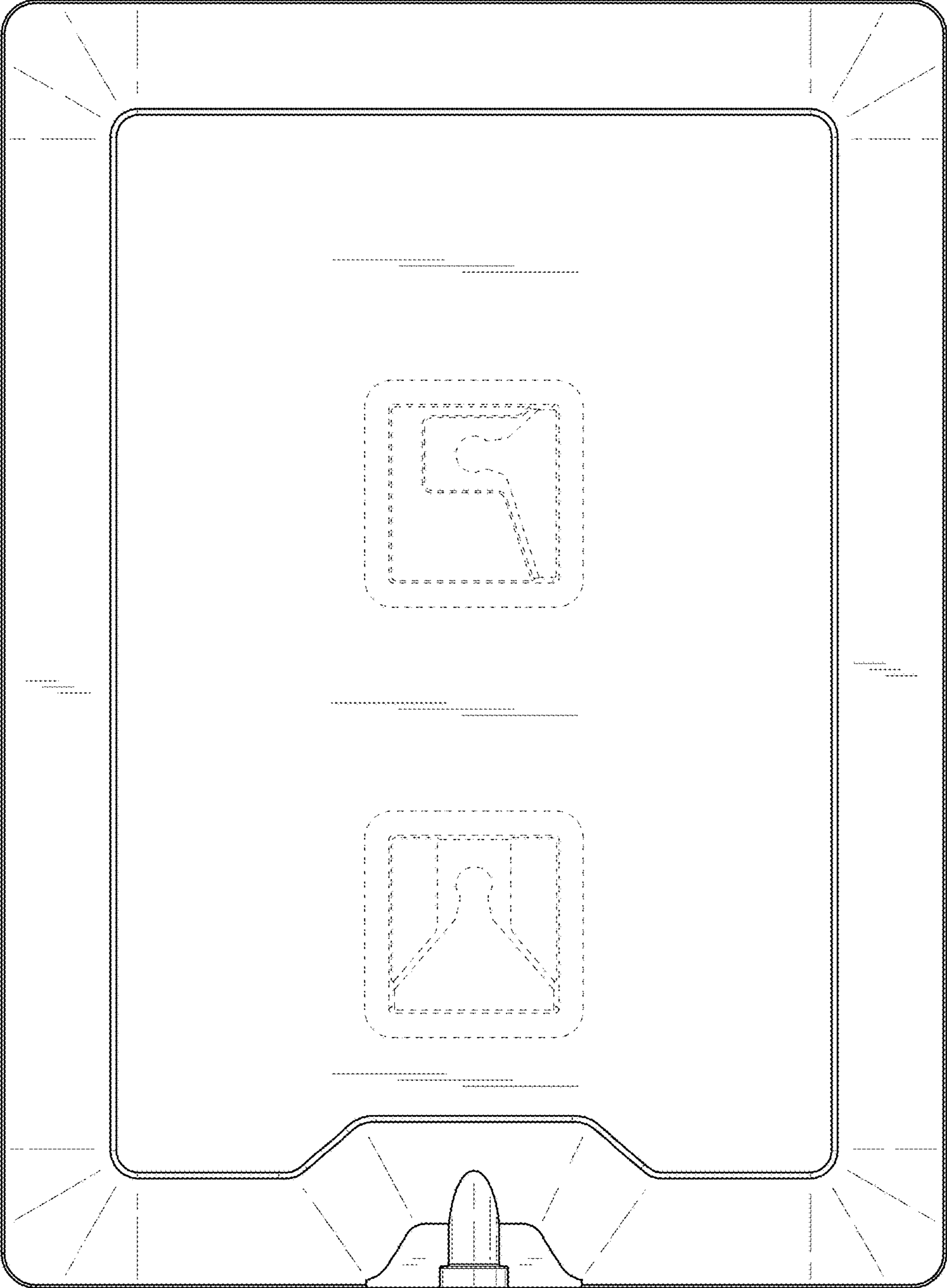


FIG. 3

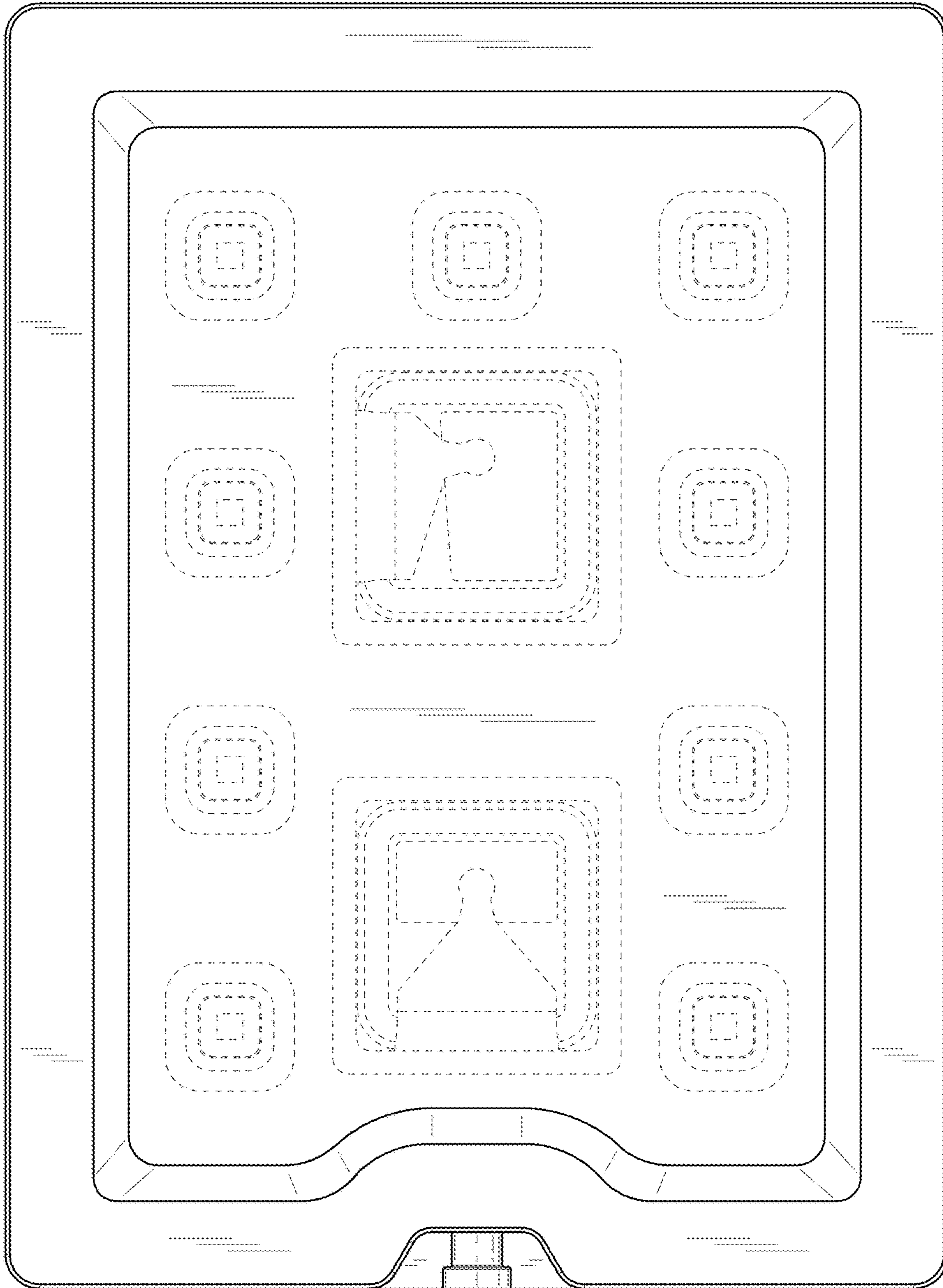


FIG. 4

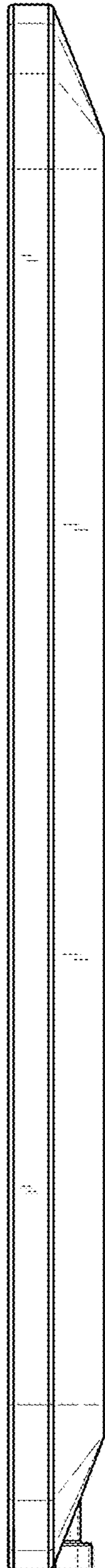


FIG. 5

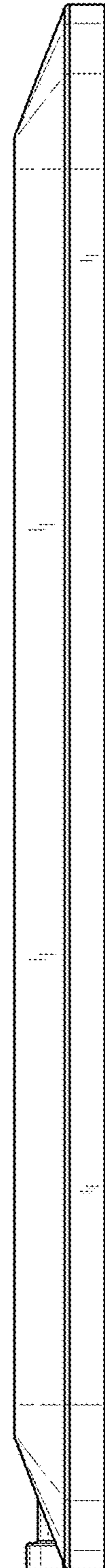


FIG. 6

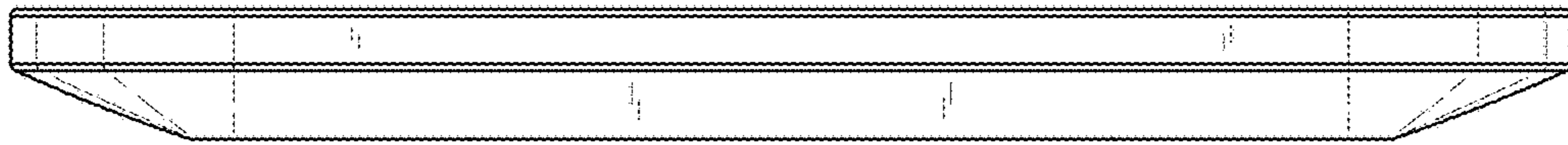


FIG. 7

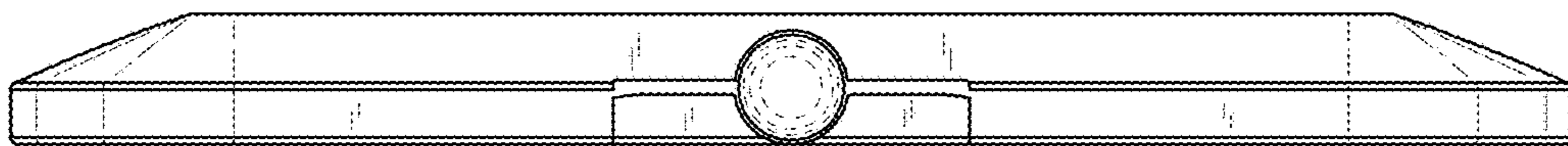


FIG. 8

