



US00D791200S

(12) **United States Design Patent**
Kim et al.

(10) **Patent No.:** **US D791,200 S**

(45) **Date of Patent:** **** Jul. 4, 2017**

(54) **DOOR GUARD FOR REFRIGERATOR**

(71) Applicant: **Samsung Electronics Co., Ltd.**,
Suwon-si (KR)

(72) Inventors: **Aeryun Kim**, Ansan-si (KR); **Seon-Ju Lee**, Seoul (KR); **Jaemin Lee**, Incheon (KR); **Junhyeok Choi**, Seongnam-si (KR)

(73) Assignee: **Samsung Electronics Co., Ltd.**,
Suwon-si (KR)

(**) Term: **15 Years**

(21) Appl. No.: **29/557,715**

(22) Filed: **Mar. 11, 2016**

(30) **Foreign Application Priority Data**

Sep. 24, 2015 (KR) 30-2015-0048756

(51) **LOC (10) Cl.** **15-07**

(52) **U.S. Cl.**
USPC **D15/89**

(58) **Field of Classification Search**
USPC D15/79-91
CPC F25D 11/00; F25D 11/02; F25D 13/00;
F25D 19/00; F25D 21/00; F25D 23/00;
F25D 2321/1441; F25D 2325/021; F25D
2325/022; F25D 2325/023
See application file for complete search history.

(56) **References Cited**

U.S. PATENT DOCUMENTS

D344,739 S	*	3/1994	Edman	D15/89
D603,883 S	*	11/2009	Placke	D15/89
D707,267 S	*	6/2014	Choi	D15/89
D709,531 S	*	7/2014	Park	D15/89
D709,926 S	*	7/2014	Park	D15/89
D709,927 S	*	7/2014	Park	D15/89
D709,928 S	*	7/2014	Park	D15/89

D710,404 S	*	8/2014	Park	D15/89
D710,406 S	*	8/2014	Seo	D15/89
D714,840 S	*	10/2014	Yang	D15/89
D733,770 S	*	7/2015	Park	D15/89
D734,785 S		7/2015	Lee et al.		
D744,548 S	*	12/2015	Shin	D15/89
D745,068 S	*	12/2015	Jeon	D15/89
D745,581 S	*	12/2015	Jeon	D15/89
D747,373 S	*	1/2016	Lee	D15/89
D751,318 S	*	3/2016	Kraemer	D6/525
D754,218 S	*	4/2016	Jeon	D15/89
D759,734 S	*	6/2016	Lee	D15/89
D766,345 S	*	9/2016	Lee	D15/89

FOREIGN PATENT DOCUMENTS

EM	001375182-0005	10/2013
KR	30-2011-0034699	9/2012

* cited by examiner

Primary Examiner — Ian Simmons

Assistant Examiner — Khawaja Anwar

(74) *Attorney, Agent, or Firm* — NSIP Law

(57) **CLAIM**

We claim the ornamental design for a door guard for refrigerator, as shown and described.

DESCRIPTION

FIG. 1 is a front perspective view of a door guard for refrigerator showing our new design; FIG. 2 is a front view thereof; FIG. 3 is a rear view thereof; FIG. 4 is a left-side view thereof; FIG. 5 is a right-side view thereof; FIG. 6 is a top view thereof; FIG. 7 is a bottom view thereof; and, FIG. 8 is a front perspective view of the door guard for refrigerator shown in an alternate position. The broken lines in the figures depict environmental subject matter and form no part of the claimed design.

1 Claim, 6 Drawing Sheets

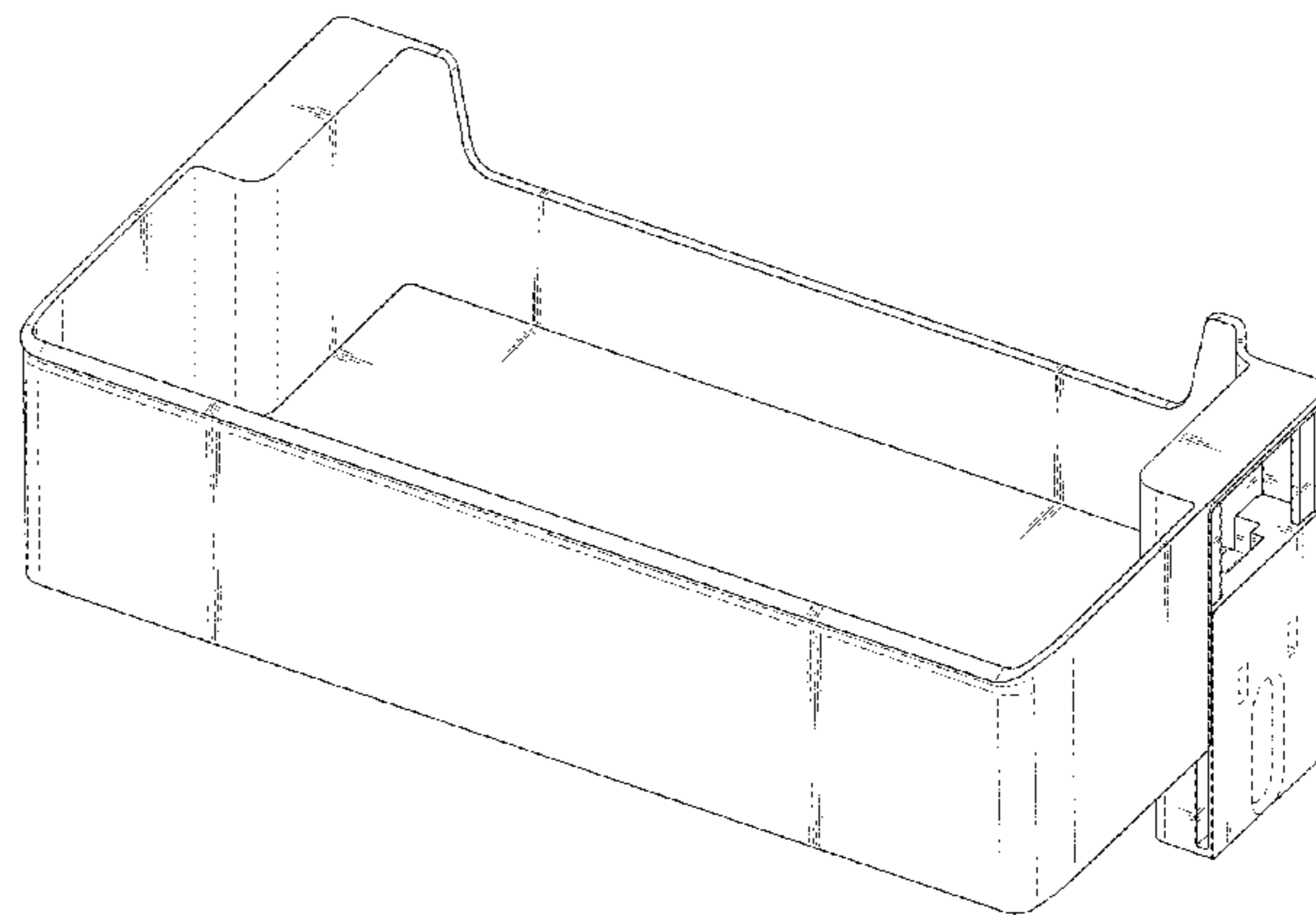
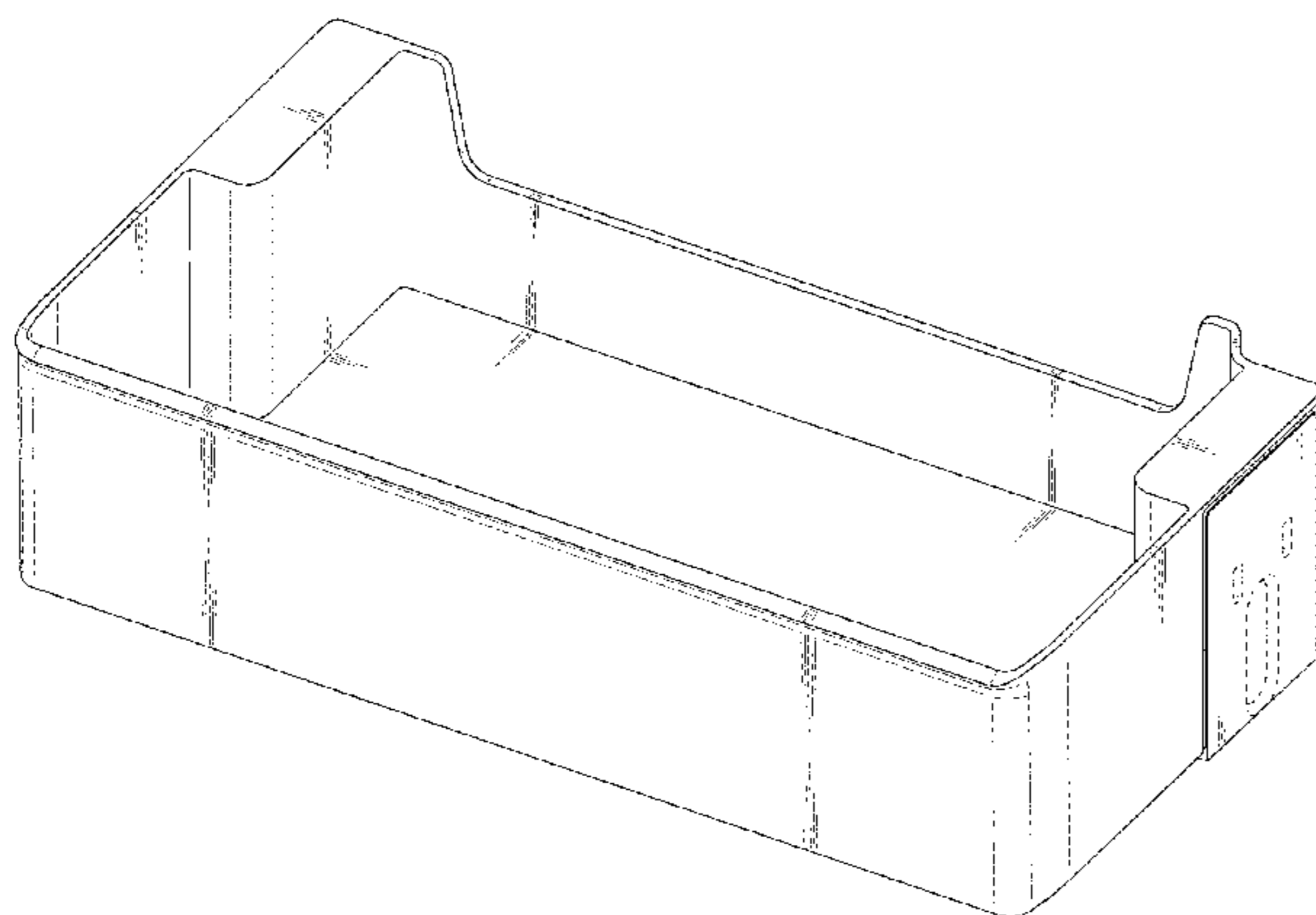


FIG. 1

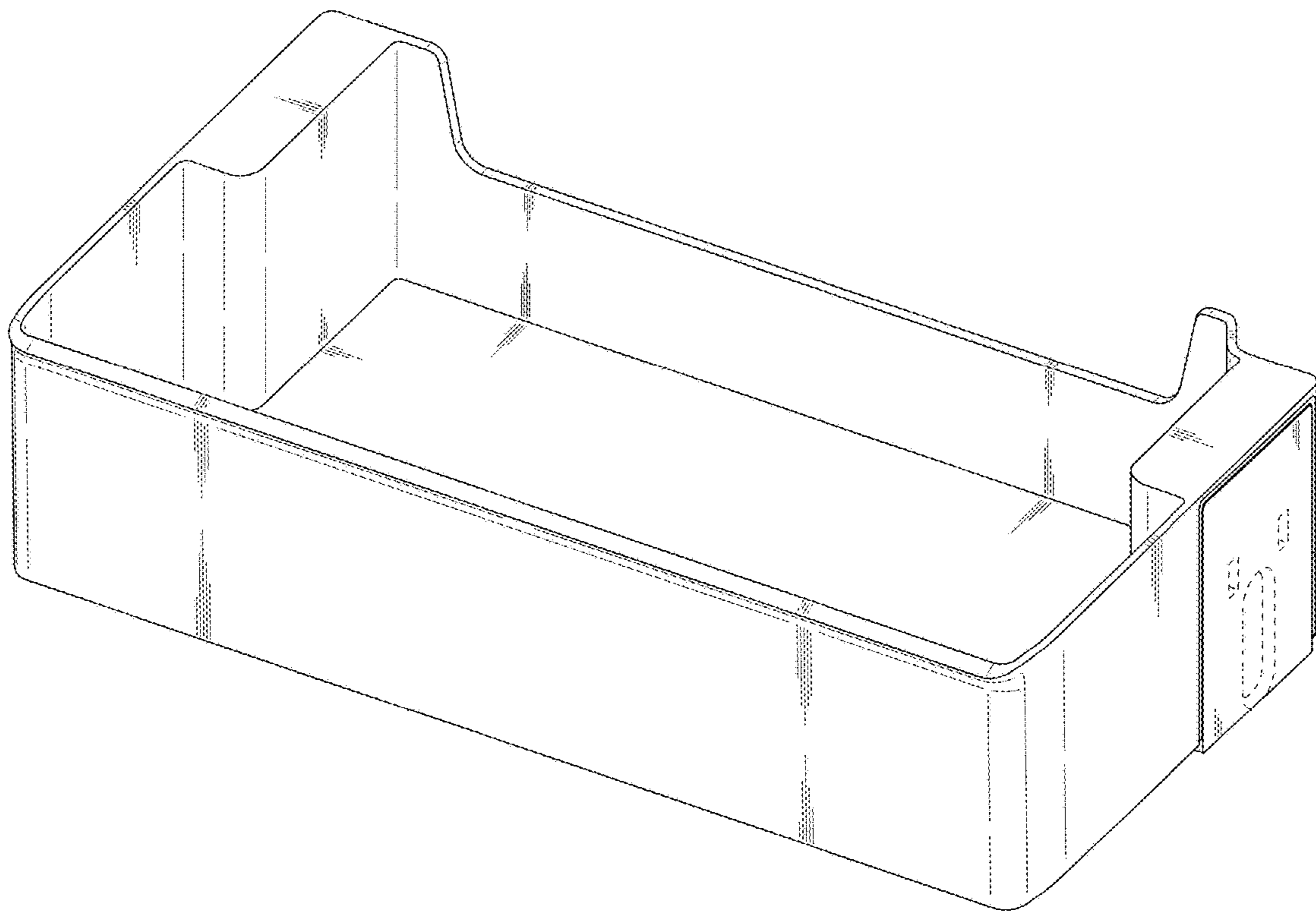


FIG. 2

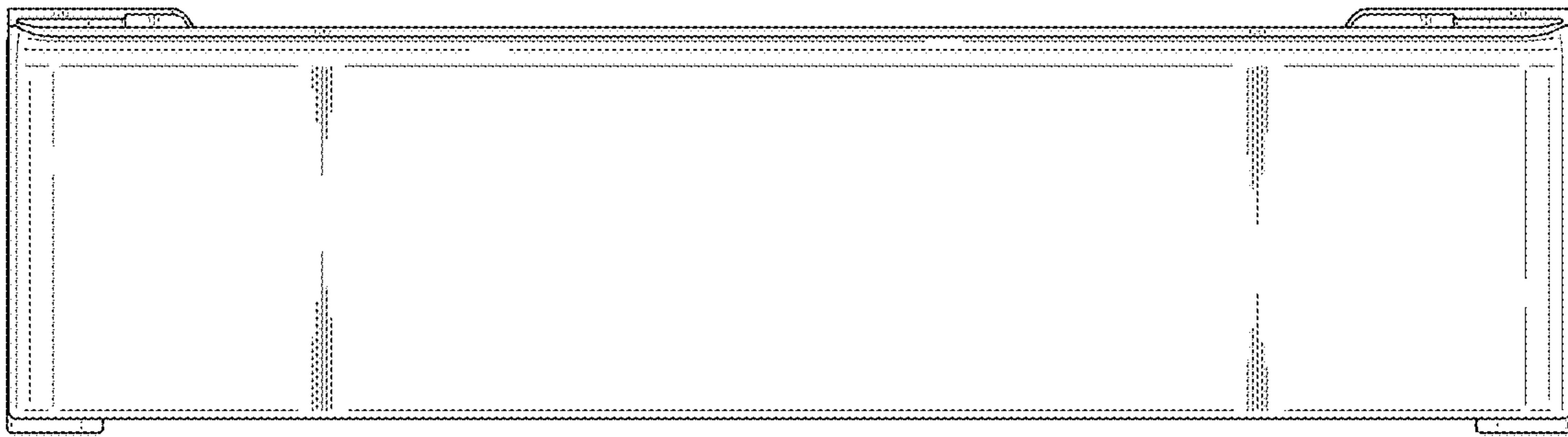


FIG. 3

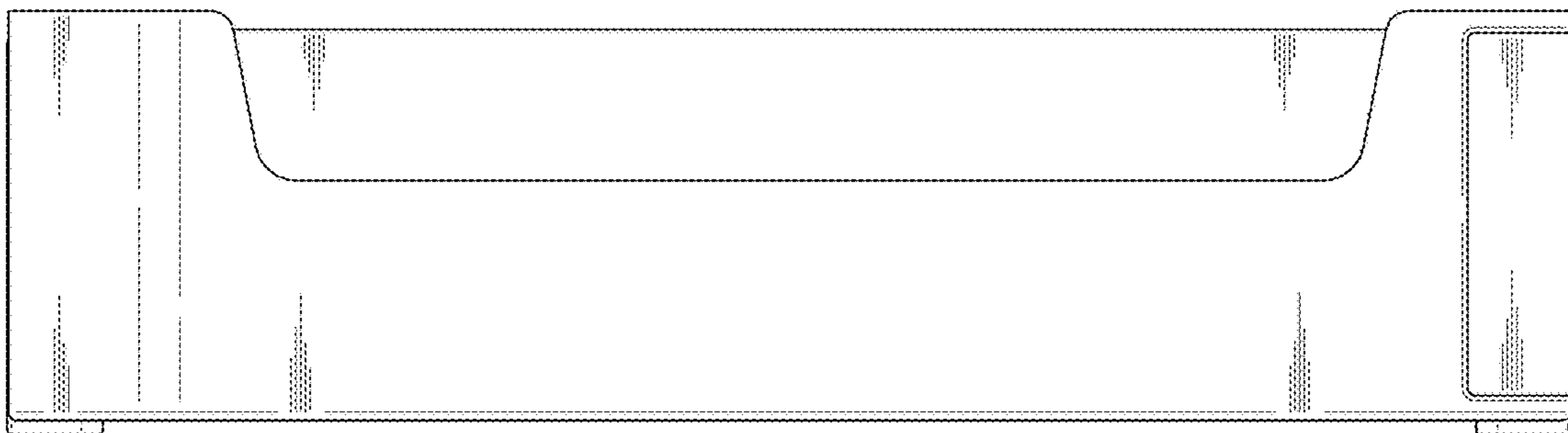


FIG. 4

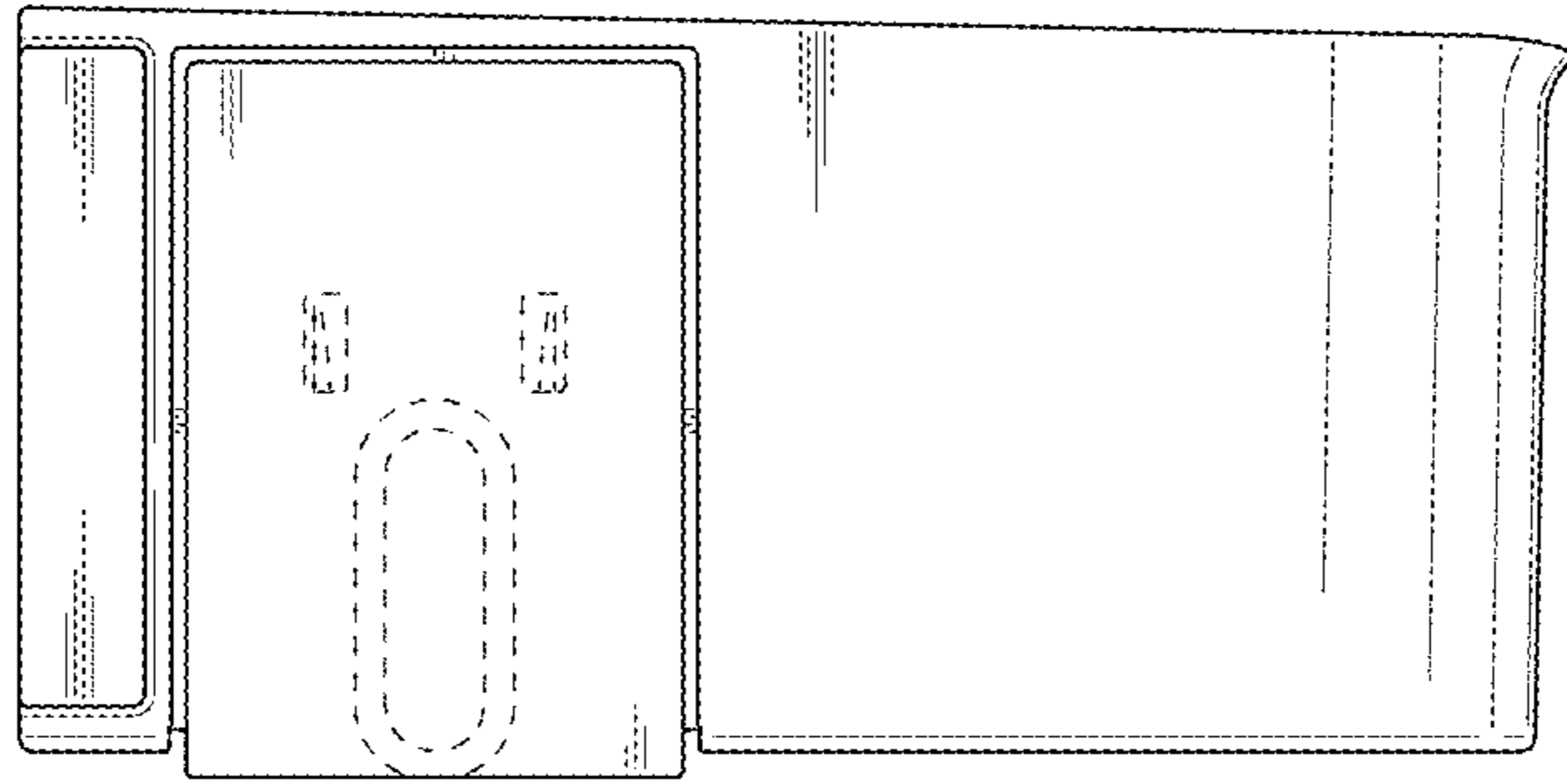


FIG. 5

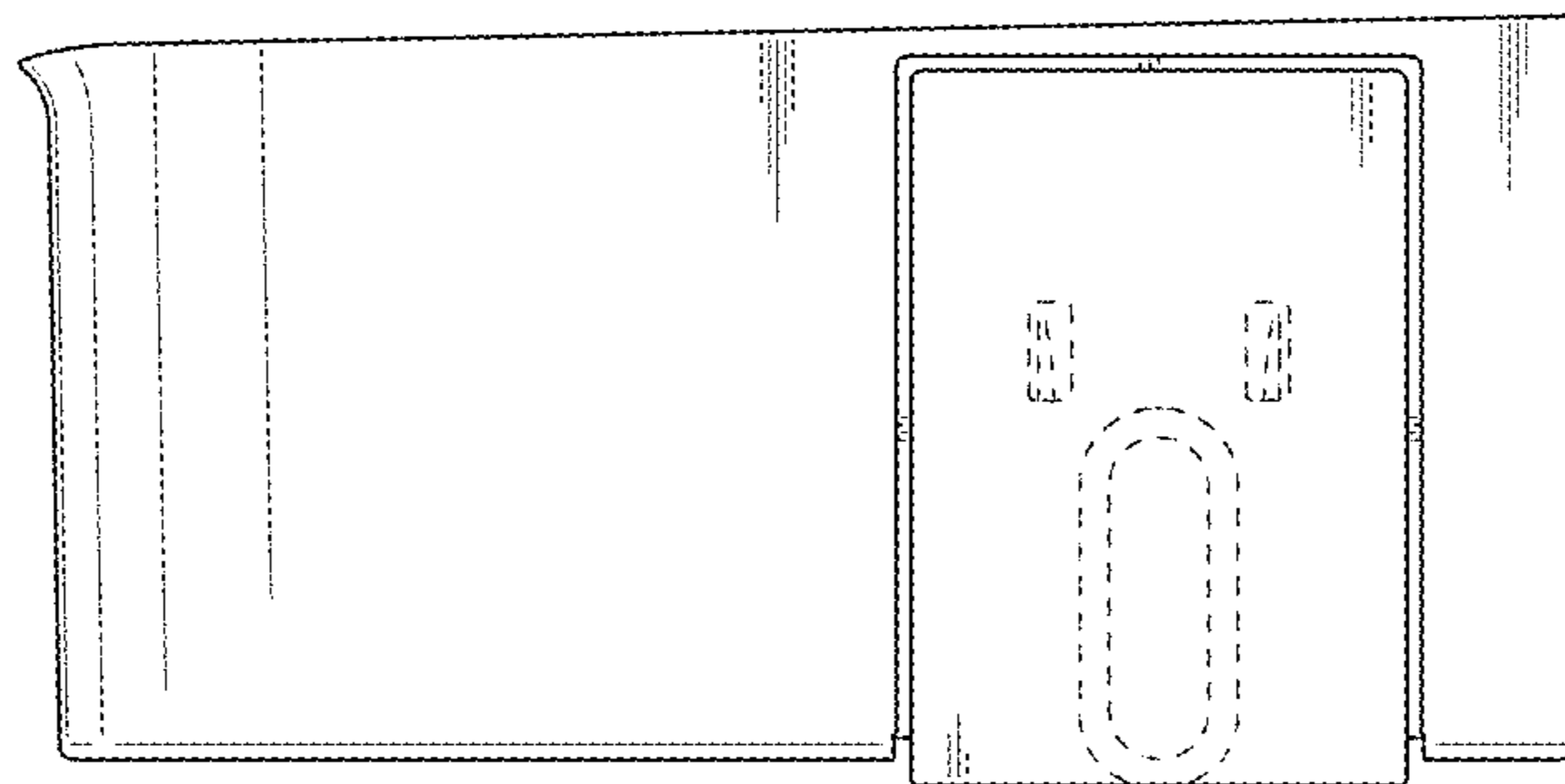


FIG. 6

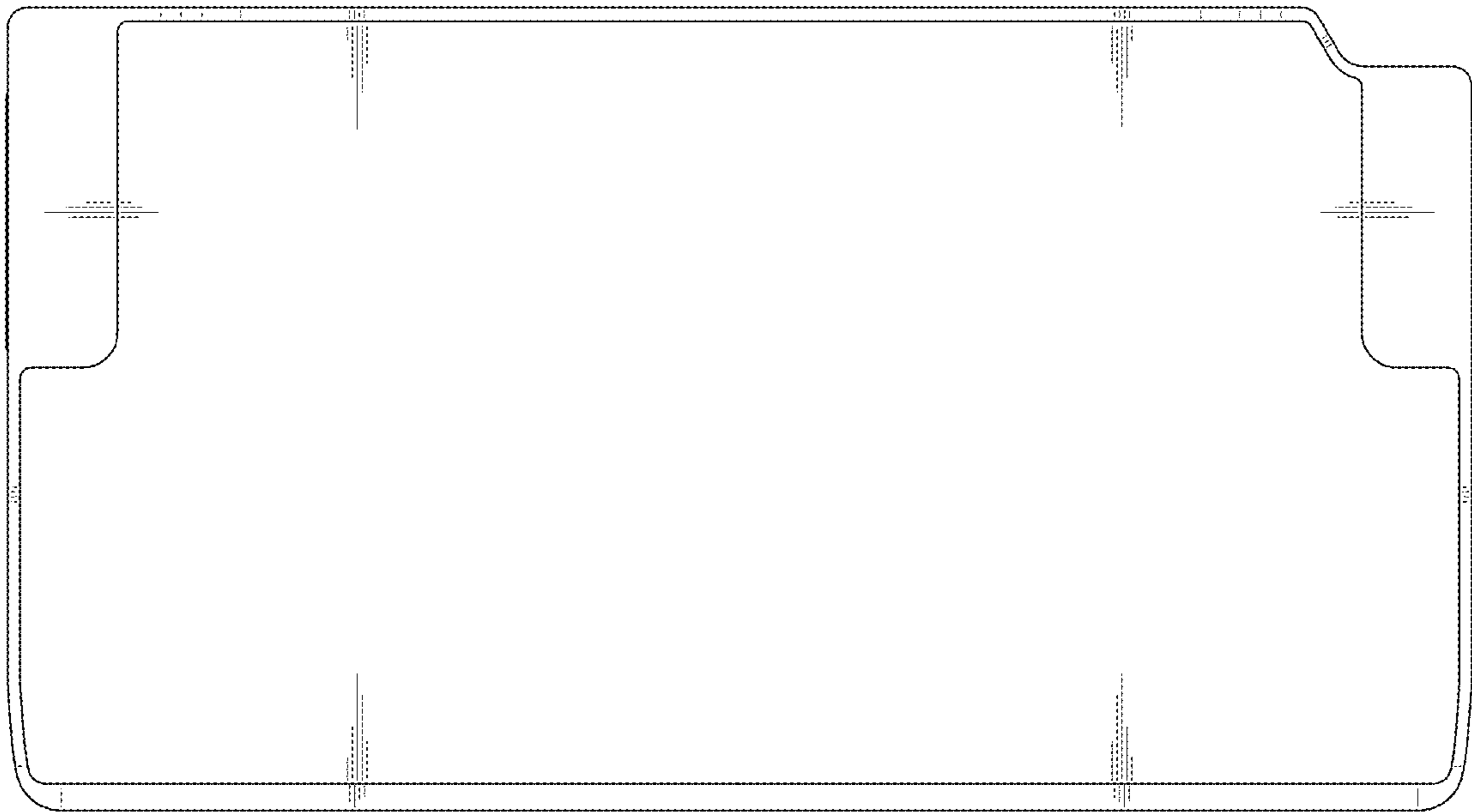


FIG. 7

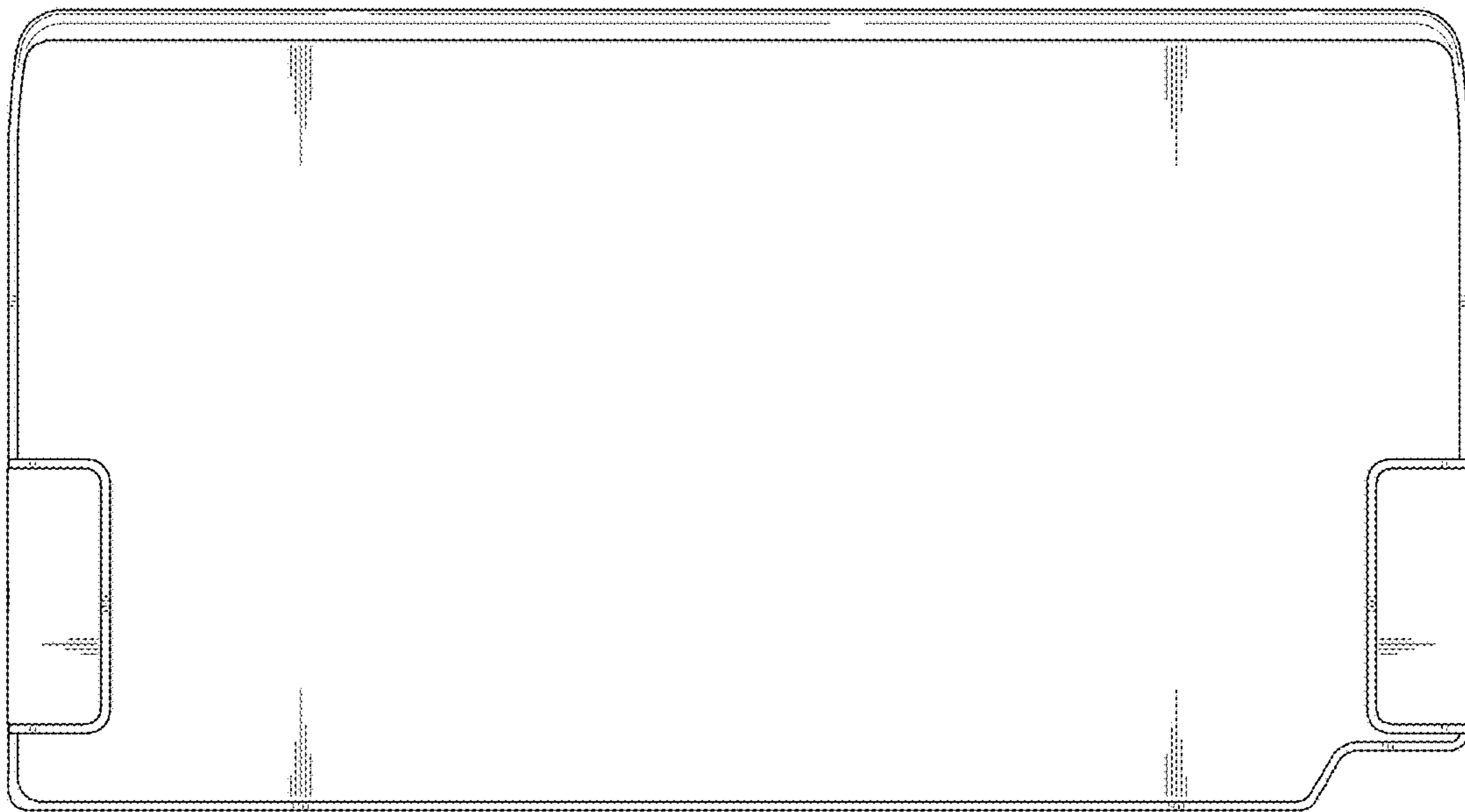


FIG. 8

