



US00D791196S

(12) **United States Design Patent** (10) **Patent No.:** **US D791,196 S**
Kunz (45) **Date of Patent:** **** Jul. 4, 2017**

(54) **LIP SHROUD FOR GROUND ENGAGING MACHINE IMPLEMENT**

D381,484 S 7/1997 Clendenning
5,709,043 A 1/1998 Jones et al.
6,457,269 B1 10/2002 Esterhuyse et al.
6,735,891 B2 5/2004 Pallas Moreno et al.

(71) Applicant: **Caterpillar Inc.**, Peoria, IL (US)

(Continued)

(72) Inventor: **Phillip J. Kunz**, Morton, IL (US)

FOREIGN PATENT DOCUMENTS

(73) Assignee: **Caterpillar Inc.**, Peoria, IL (US)

AU 2012268793 A1 7/2013
WO 2007/016719 A1 2/2007

(**) Term: **15 Years**

OTHER PUBLICATIONS

(21) Appl. No.: **29/574,488**

U.S. Appl. No. 29/524,183, filed Apr. 17, 2015. (Unpublished).

(22) Filed: **Aug. 16, 2016**

(Continued)

Related U.S. Application Data

(63) Continuation of application No. 29/524,172, filed on Apr. 17, 2015, now Pat. No. Des. 767,647.

Primary Examiner — Mark Goodwin

(51) **LOC (10) Cl.** **15-03**

(74) *Attorney, Agent, or Firm* — Saidman Design Law Group

(52) **U.S. Cl.**

USPC **D15/32**; D15/28

(58) **Field of Classification Search**

USPC D15/11, 21, 28, 29, 32; 172/172, 701.2, 172/701.3, 713, 719, 772.5, 770, 771; 37/444, 446, 449, 452-456, 448, 903
CPC E02F 9/2833; E02F 9/2825; E02F 9/2883; E02F 9/2841; E02F 9/28; E02F 3/40; E21C 35/183; Y10Y 403/7069; Y10Y 403/7018; Y10Y 403/587

See application file for complete search history.

(57) **CLAIM**

The ornamental design for a lip shroud for ground engaging machine implement, as shown and described.

DESCRIPTION

FIG. 1 is a front perspective view of a lip shroud for ground engaging machine implement showing my new design; FIG. 2 is a front view thereof; FIG. 3 is a rear view thereof; FIG. 4 is a left side view thereof; FIG. 5 is a right side view thereof; FIG. 6 is a top view thereof; and, FIG. 7 is a bottom view thereof.

The dashed broken lines illustrate structure or features that form no part of the claimed design.

The dot-dash broken lines represent boundaries of the claimed design; the dot-dash broken lines themselves form no part of the claimed design.

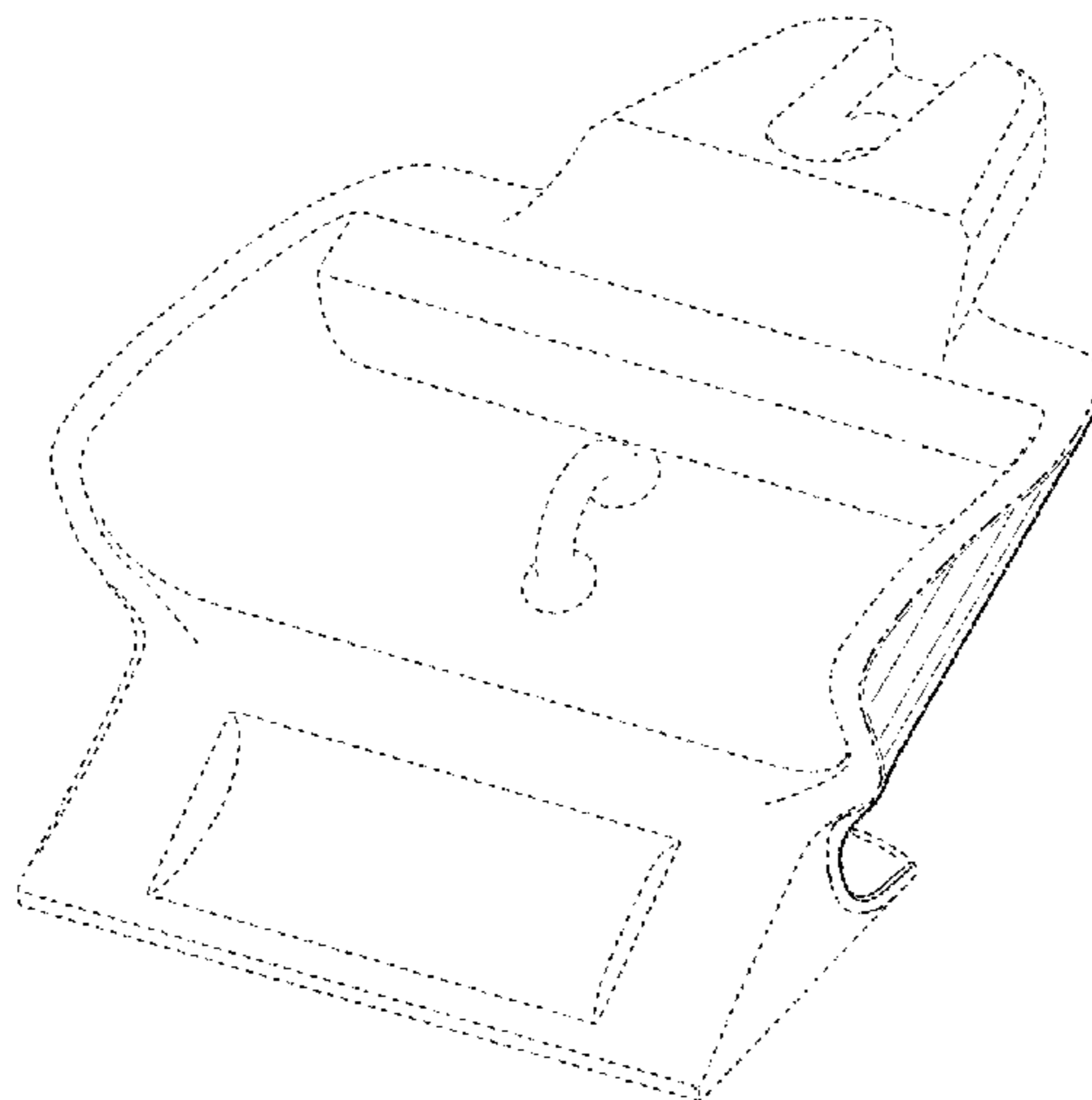
The relatively thin shade lines represent contour, not surface ornamentation.

(56) **References Cited**

U.S. PATENT DOCUMENTS

2,256,488 A 9/1941 Murtaugh
3,079,710 A 3/1963 Larsen et al.
D251,431 S 3/1979 Klett et al.
4,980,980 A 1/1991 Schadov et al.
5,088,214 A 2/1992 Jones
D336,476 S 6/1993 Garman
5,515,625 A 5/1996 Keigley
5,553,409 A 9/1996 Irving
D378,006 S 2/1997 Clendenning

1 Claim, 4 Drawing Sheets



(56)

References Cited

U.S. PATENT DOCUMENTS

6,745,503 B1 6/2004 Pallas Moreno et al.
 6,993,861 B2 2/2006 Carpenter et al.
 7,266,914 B2 9/2007 Grant
 D554,157 S 10/2007 Renski
 7,275,338 B2 10/2007 LaHood
 D567,825 S 4/2008 Clendenning et al.
 D567,826 S 4/2008 Clendenning et al.
 D567,827 S 4/2008 Clendenning et al.
 7,367,144 B2 5/2008 Jones et al.
 D576,644 S 9/2008 Clendenning et al.
 7,793,444 B2 9/2010 Jones
 D643,049 S 8/2011 Nickels et al.
 8,572,870 B2 11/2013 Kudo et al.
 D706,307 S 6/2014 Renski et al.
 D707,264 S 6/2014 Renski et al.
 D727,367 S 4/2015 Renski et al.
 D727,369 S 4/2015 Renski et al.
 D728,635 S 5/2015 Kunz
 D741,375 S 10/2015 Hooijmans

D741,918 S 10/2015 Hooijmans
 D751,610 S 3/2016 Serrurier et al.
 2003/0024139 A1 2/2003 Jones et al.
 2006/0117613 A1 6/2006 Jones et al.
 2013/0180137 A1 7/2013 Hurley et al.
 2013/0185964 A1 7/2013 Anisy et al.
 2013/0318840 A1 12/2013 Ollinger, IV et al.
 2014/0082976 A1 3/2014 Vicq et al.
 2014/0082977 A1 3/2014 Pilon
 2014/0173949 A1 6/2014 Karlsson et al.
 2015/0211215 A1 7/2015 Dallard et al.
 2015/0247306 A1 9/2015 Kunz

OTHER PUBLICATIONS

U.S. Appl. No. 29/524,178, filed Apr. 17, 2015. (Unpublished).
 U.S. Appl. No. 62/148,992, filed Apr. 17, 2015. (Unpublished).
 U.S. Appl. No. 62/149,077, filed Apr. 17, 2015. (Unpublished).
 U.S. Appl. No. 62/149,161, filed Apr. 17, 2015. (Unpublished).
 U.S. Appl. No. 62/149,229, filed Apr. 17, 2015. (Unpublished).
 Bradken, Penetrator, product overview, available at least as early as
 Jan. 2013.

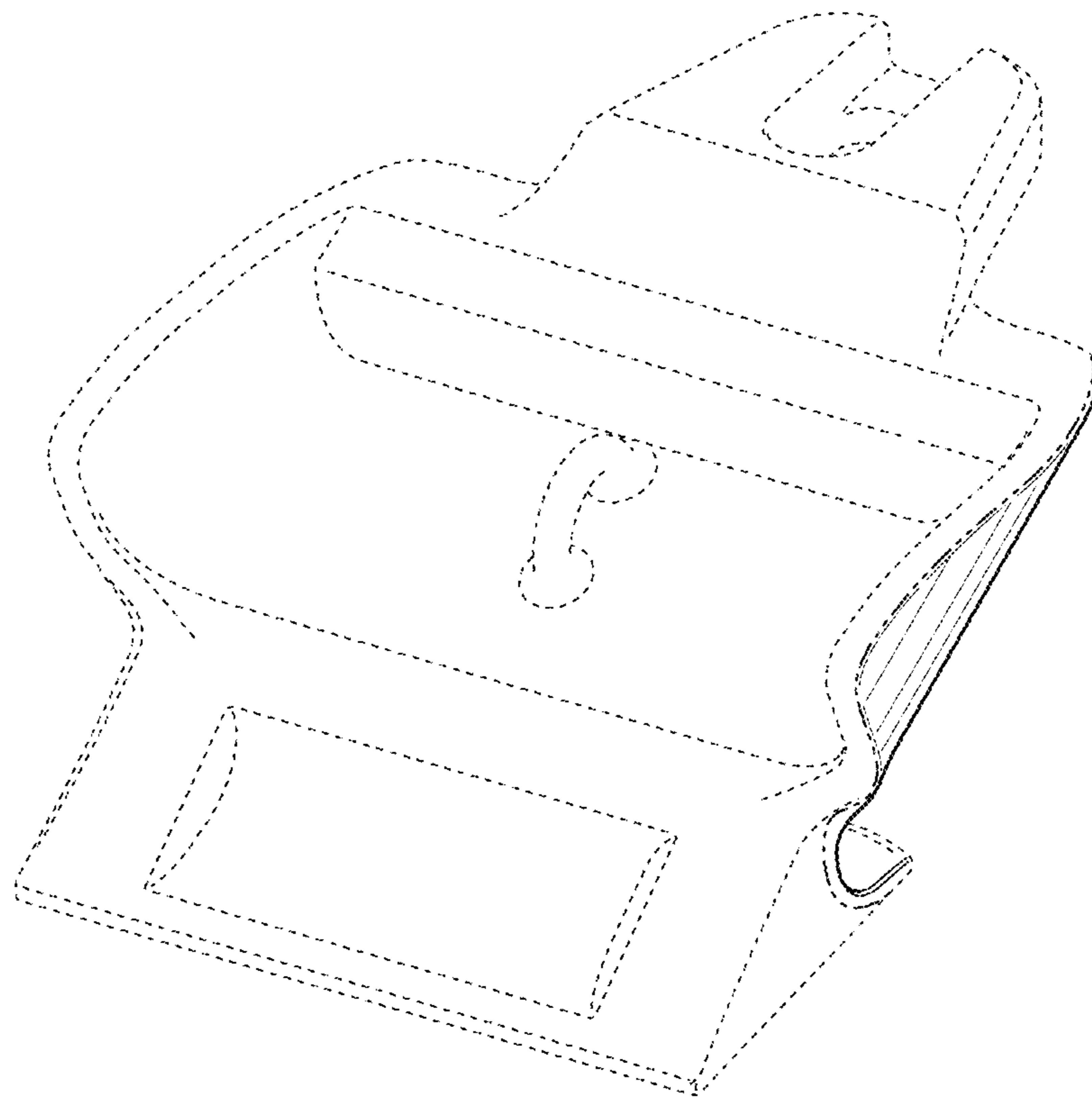


FIG. 1

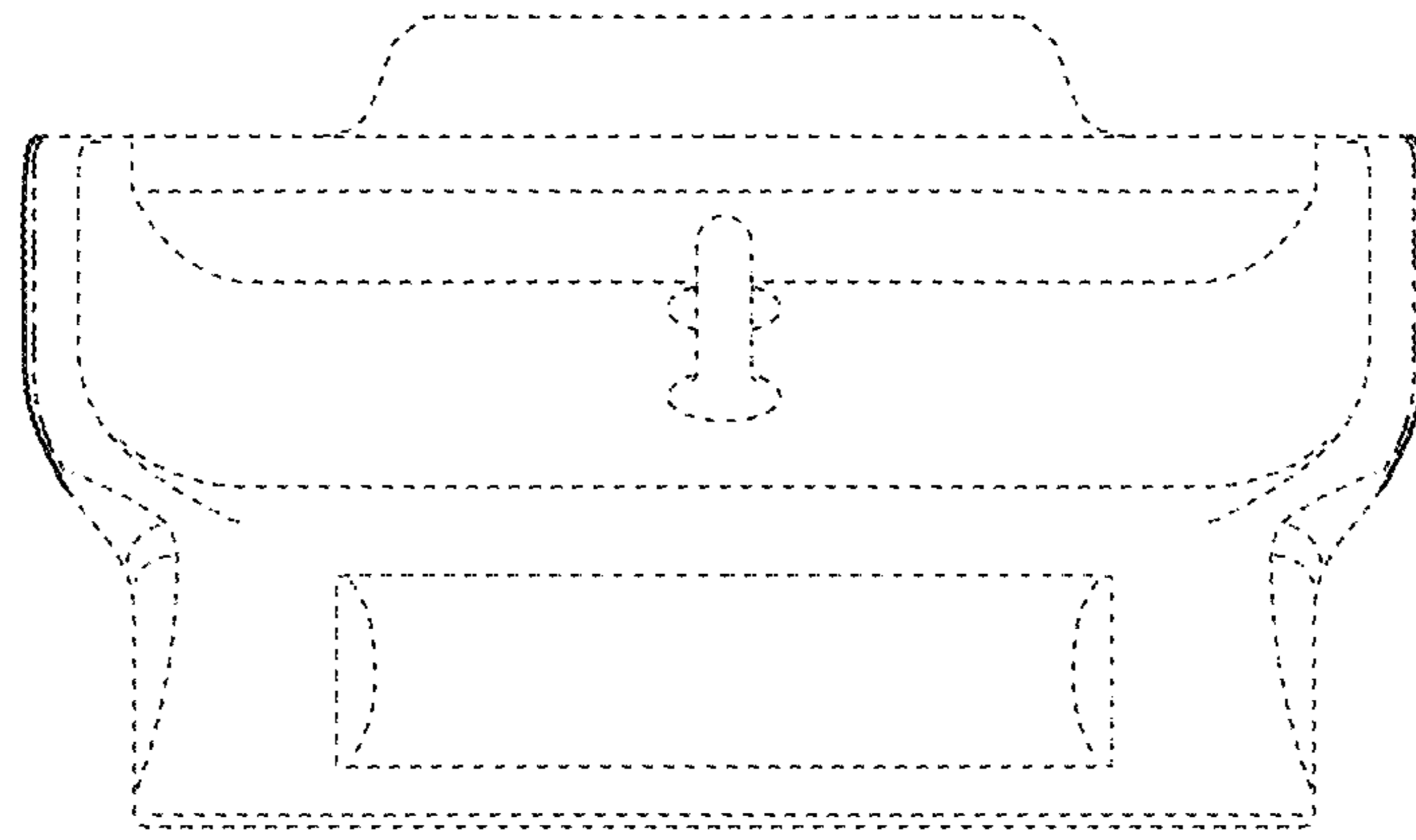


FIG. 2

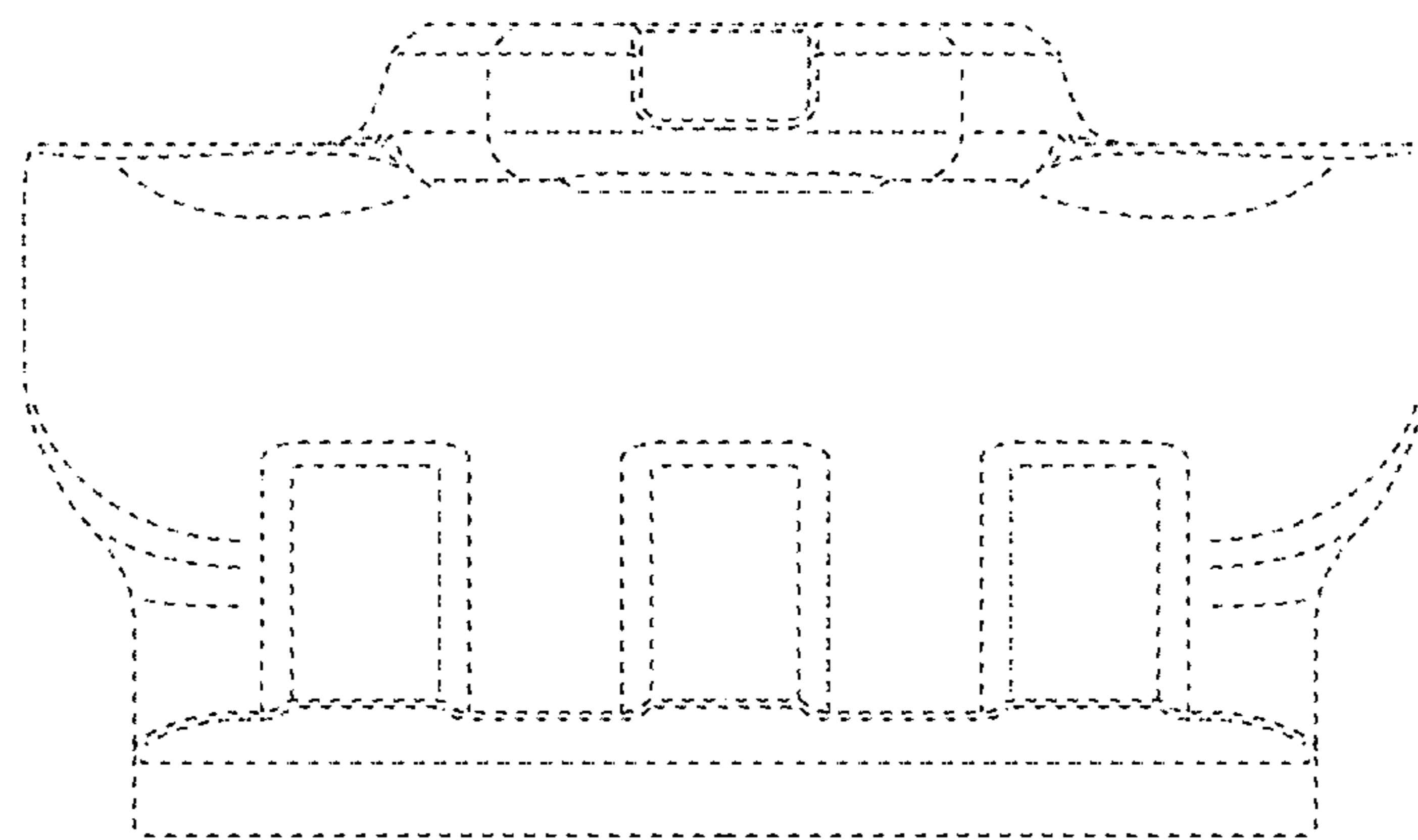


FIG. 3

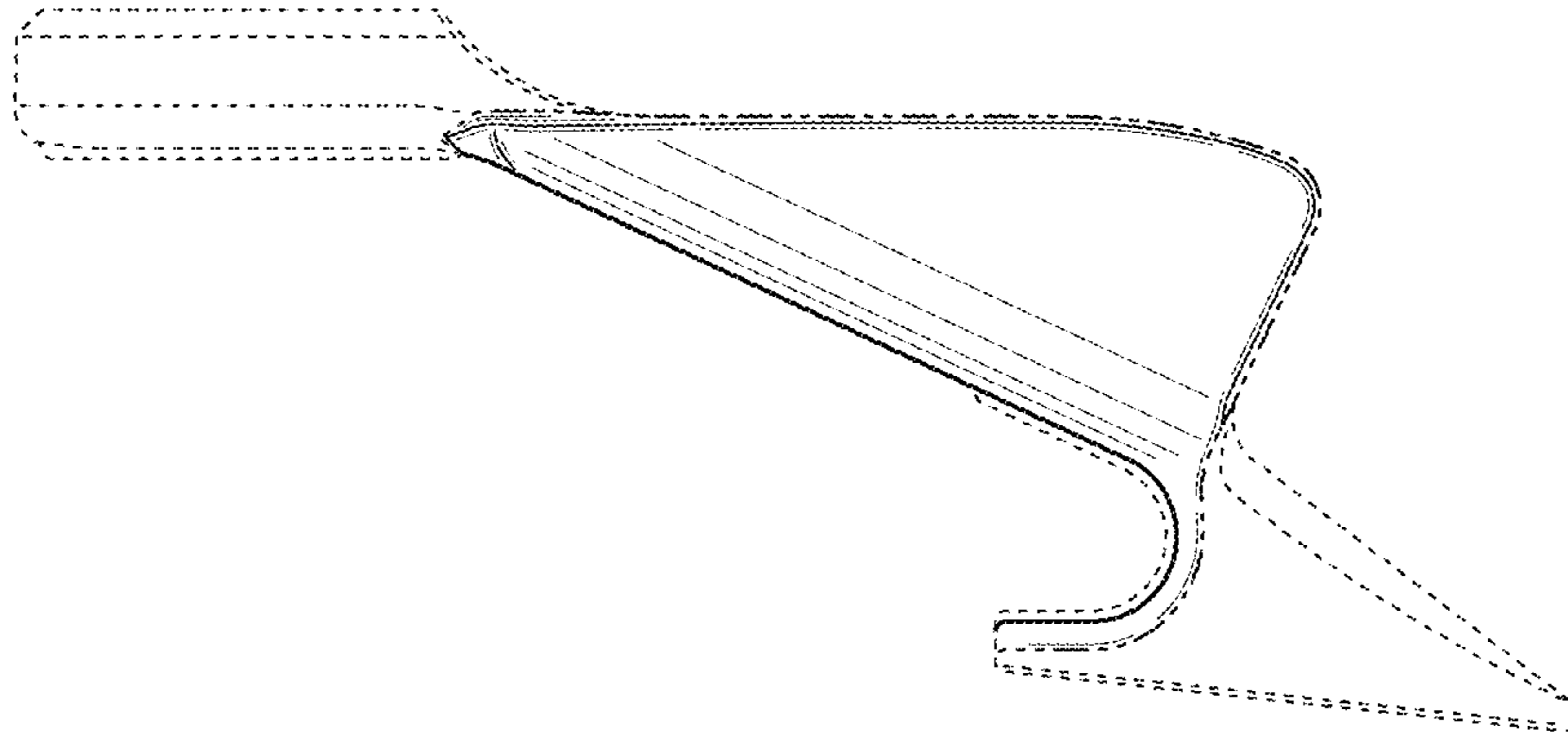


FIG. 4

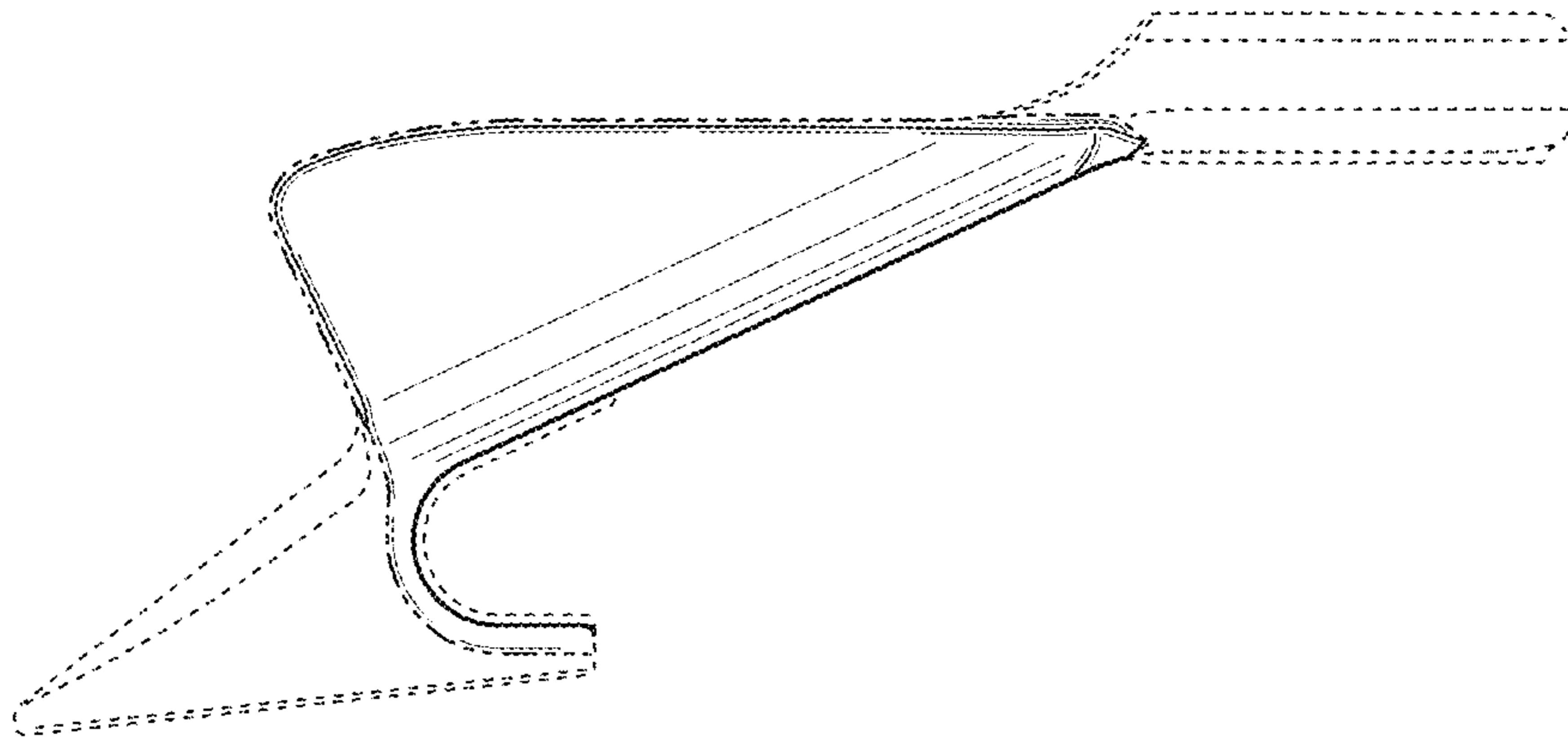


FIG. 5

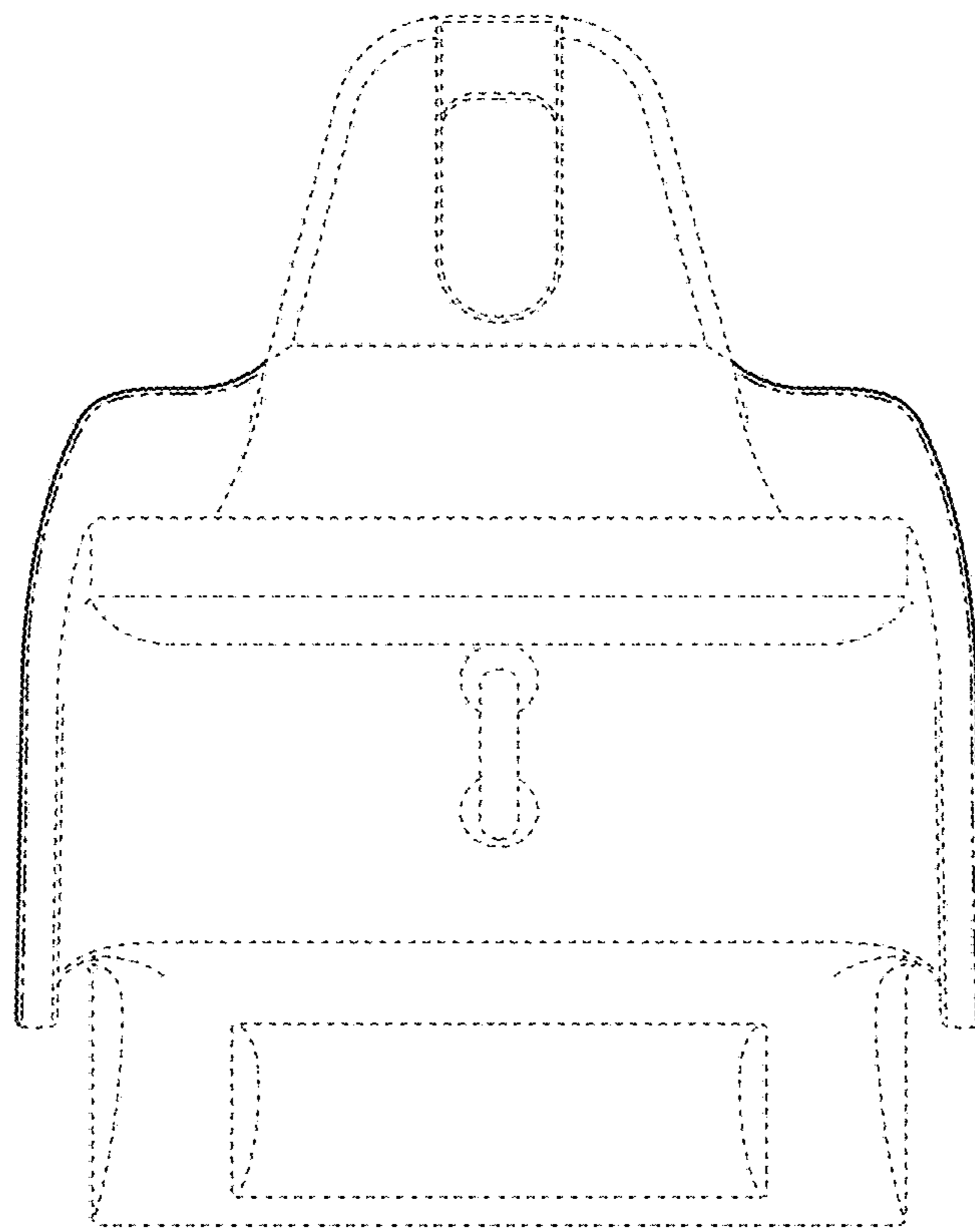


FIG. 6

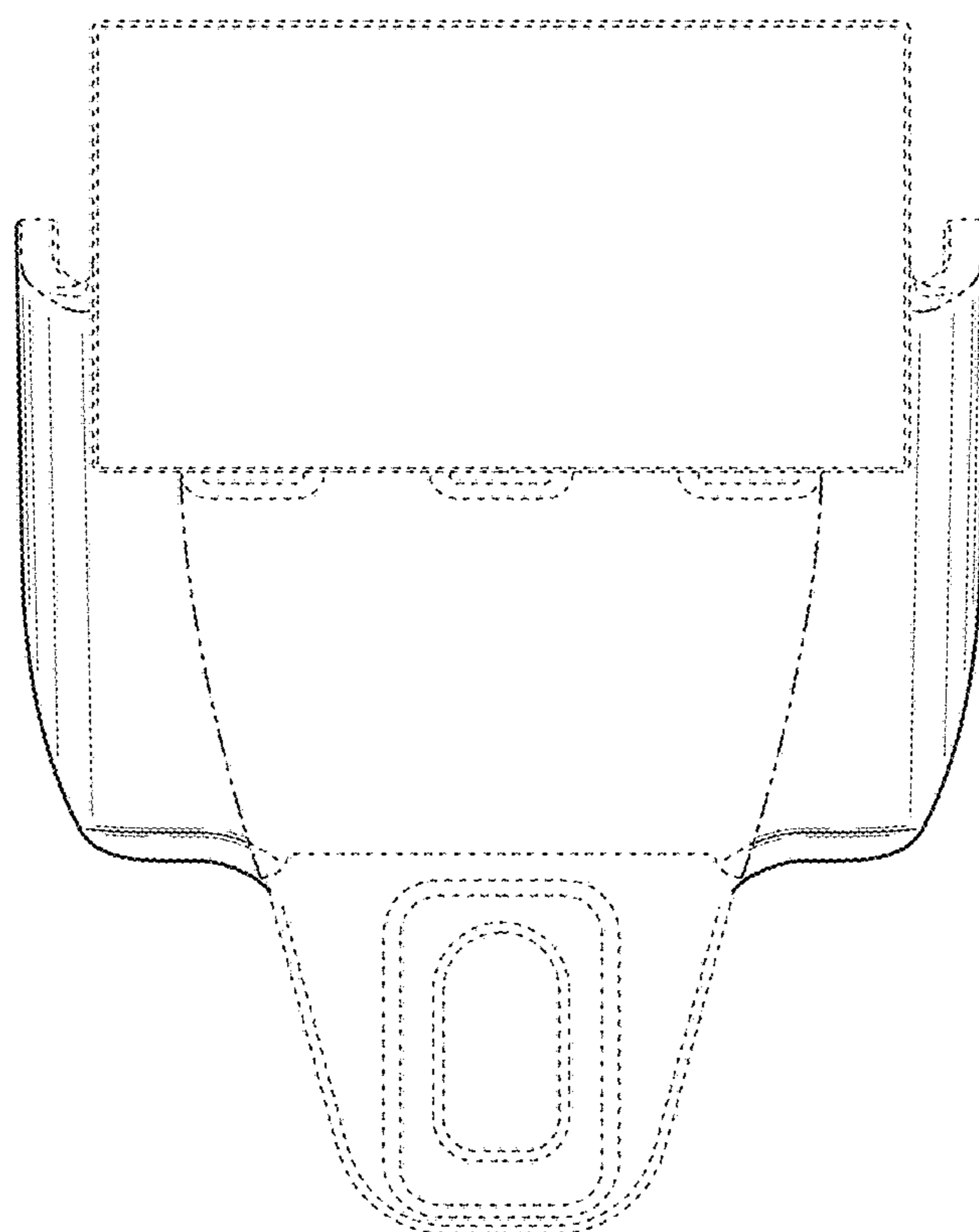


FIG. 7