

US00D791194S

(12) **United States Design Patent** (10) **Patent No.:** **US D791,194 S**
Tsujimura et al. (45) **Date of Patent:** **** Jul. 4, 2017**

(54) **OPERATIONAL PANEL FOR MACHINE TOOL**

H03K 17/94; G09G 5/00; F16M 11/10;
H05K 5/00; H04M 1/0237; H01H 13/14;
H01H 13/84;

(71) Applicant: **JTEKT CORPORATION**, Osaka-shi (JP)

(Continued)

(72) Inventors: **Kazuhiro Tsujimura**, Okazaki (JP);
Tomokazu Takayama, Ichinomiya (JP);
Masanori Ando, Nishio (JP); **Takahito Umeki**, Toyota (JP)

(56) **References Cited**

U.S. PATENT DOCUMENTS

D368,702 S * 4/1996 Shimizu D14/345
D398,331 S * 9/1998 Ono D14/345

(Continued)

(73) Assignee: **JTEKT CORPORATION**, Osaka-shi (JP)

FOREIGN PATENT DOCUMENTS

(**) Term: **14 Years**

JP 1304224 S 6/2007

(21) Appl. No.: **29/525,140**

OTHER PUBLICATIONS

(22) Filed: **Apr. 27, 2015**

JP Office Action dated Mar. 3, 2015, in corresponding JP Design Application No. D2014-024102 (with English translation).

(Continued)

(30) **Foreign Application Priority Data**

Oct. 29, 2014 (JP) 2014-024102
Oct. 29, 2014 (JP) 2014-024103
Oct. 29, 2014 (JP) 2014-024104
Oct. 29, 2014 (JP) 2014-024105
Oct. 29, 2014 (JP) 2014-024106

Primary Examiner — Mark Goodwin

(74) *Attorney, Agent, or Firm* — Oblon, McClelland, Maier & Neustadt, L.L.P.

(51) **LOC (10) Cl.** **15-03**

(52) **U.S. Cl.**
USPC **D15/28**

(57) **CLAIM**

The ornamental design for an operational panel for machine tool, as shown and described.

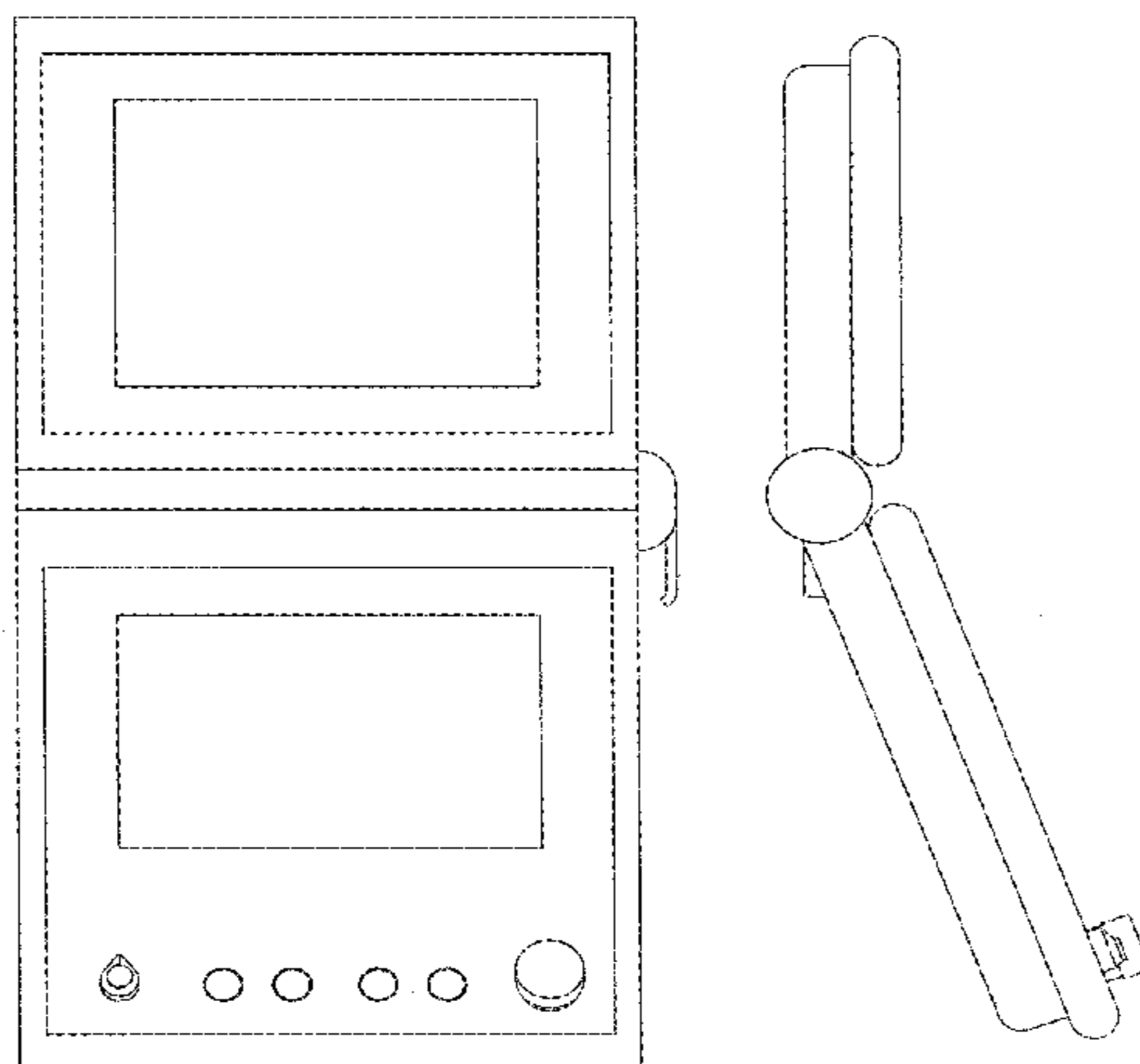
(58) **Field of Classification Search**

USPC D15/28; D14/315-327, 391-399, 341, D14/345, 440; D18/1, 2, 7, 11; 235/145 A, 145 R; 341/22, 23; 345/104, 345/156, 168, 169, 173; 361/679.08, 361/679.09, 679.11, 679.26, 679.27; D3/269, 298, 299
CPC G06F 1/16; G06F 1/1616; G06F 1/1626; G06F 1/1632; G06F 1/1613; G06F 1/1601; G06F 1/1618; G06F 1/162; G06F 1/1628; G06F 3/0221; G06F 3/0216; H01R 35/02; H03M 11/00; G09B 13/04;

DESCRIPTION

FIG. 1 is a front view of a first embodiment of an operational panel for machine tool;
FIG. 2 is a back view thereof;
FIG. 3 is a left side view thereof;
FIG. 4 is a right side view thereof;
FIG. 5 is a top view thereof;
FIG. 6 is a bottom view thereof;
FIG. 7 is a front view thereof showing display parts; and,
FIG. 8 is a front view thereof showing an operation state.

(Continued)



The broken lines in the drawings depict environmental subject matter only and form no part of the claimed design.

1 Claim, 8 Drawing Sheets

(58) **Field of Classification Search**

CPC B41J 5/00; B41J 5/12; B41J 5/10; A45C
3/02

See application file for complete search history.

(56) **References Cited**

U.S. PATENT DOCUMENTS

D402,967	S	*	12/1998	Hanafsa	D14/345
D424,537	S	*	5/2000	Arai	D14/318
D434,425	S	*	11/2000	Rossow	D12/192
D439,257	S	*	3/2001	Rossow	D12/192
D441,360	S	*	5/2001	Kido	D14/345
D443,613	S	*	6/2001	Do	D14/345
D443,614	S	*	6/2001	Do	D14/345
D444,466	S	*	7/2001	Nishida	D14/345
D445,107	S	*	7/2001	Kuwahara	D14/345
D477,014	S	*	7/2003	Clarkson	D14/345
D481,036	S	*	10/2003	Wentt	D14/345
D482,030	S	*	11/2003	Kataoka	D14/345
D491,175	S	*	6/2004	Shimano	D14/318
D491,934	S	*	6/2004	Shimano	D14/318
D493,455	S	*	7/2004	Ogasawara	D14/345
6,856,507	B2	*	2/2005	Chen	G06F 1/1616 235/145 R
D527,665	S	*	9/2006	Koide	D10/103
D580,433	S	*	11/2008	Chiang	D14/345
D590,122	S	*	4/2009	Shaw	D34/35
D624,520	S	*	9/2010	Nishikawa	D14/138 AB

D625,310	S	*	10/2010	Andre	D14/392
D641,021	S	*	7/2011	Andre	D14/392
D649,549	S	*	11/2011	Andre	D14/392
D658,173	S	*	4/2012	Kim	D14/345
D660,294	S	*	5/2012	Chida	D14/345
D678,272	S	*	3/2013	Groene	D14/341
D682,264	S	*	5/2013	Kim	D14/345
D683,731	S	*	6/2013	Chiu	D14/345
D689,443	S	*	9/2013	Ewringmann	D13/164
D690,325	S	*	9/2013	Scott	D15/28
D691,132	S	*	10/2013	Sharma	D14/341
D696,252	S	*	12/2013	Batio	D14/345
D696,254	S	*	12/2013	Groene	D14/341
D696,665	S	*	12/2013	Nakano	D14/345
D698,356	S	*	1/2014	Park	D14/138 AD
D706,259	S	*	6/2014	Myung	D14/315
D706,261	S	*	6/2014	Sharma	D14/341
D709,067	S	*	7/2014	Ahn	D14/345
D709,493	S	*	7/2014	Ahn	D14/345
D712,900	S	*	9/2014	Miki	D14/345
D714,246	S	*	9/2014	Kitade	D14/138 AB
D742,936	S	*	11/2015	Ewringmann	D15/28
D746,285	S	*	12/2015	Okabe	D14/345
D749,571	S	*	2/2016	Park	D14/203.4
D761,267	S	*	7/2016	Chen	D14/345

OTHER PUBLICATIONS

Design of a key arrangement indicated in the explanation drawing of 109 Japanese keyboard which was published as follows; Type of telecommunications line—Internet; Date of publication (notification)—Apr. 4, 2003; Publication person—Internet archive; Title—About the internet; Posted page address <https://web.archive.org/web/20020404052134/http://www.724685.com/type/keyboard.htm>; 2 pages.

* cited by examiner

Fig. 1

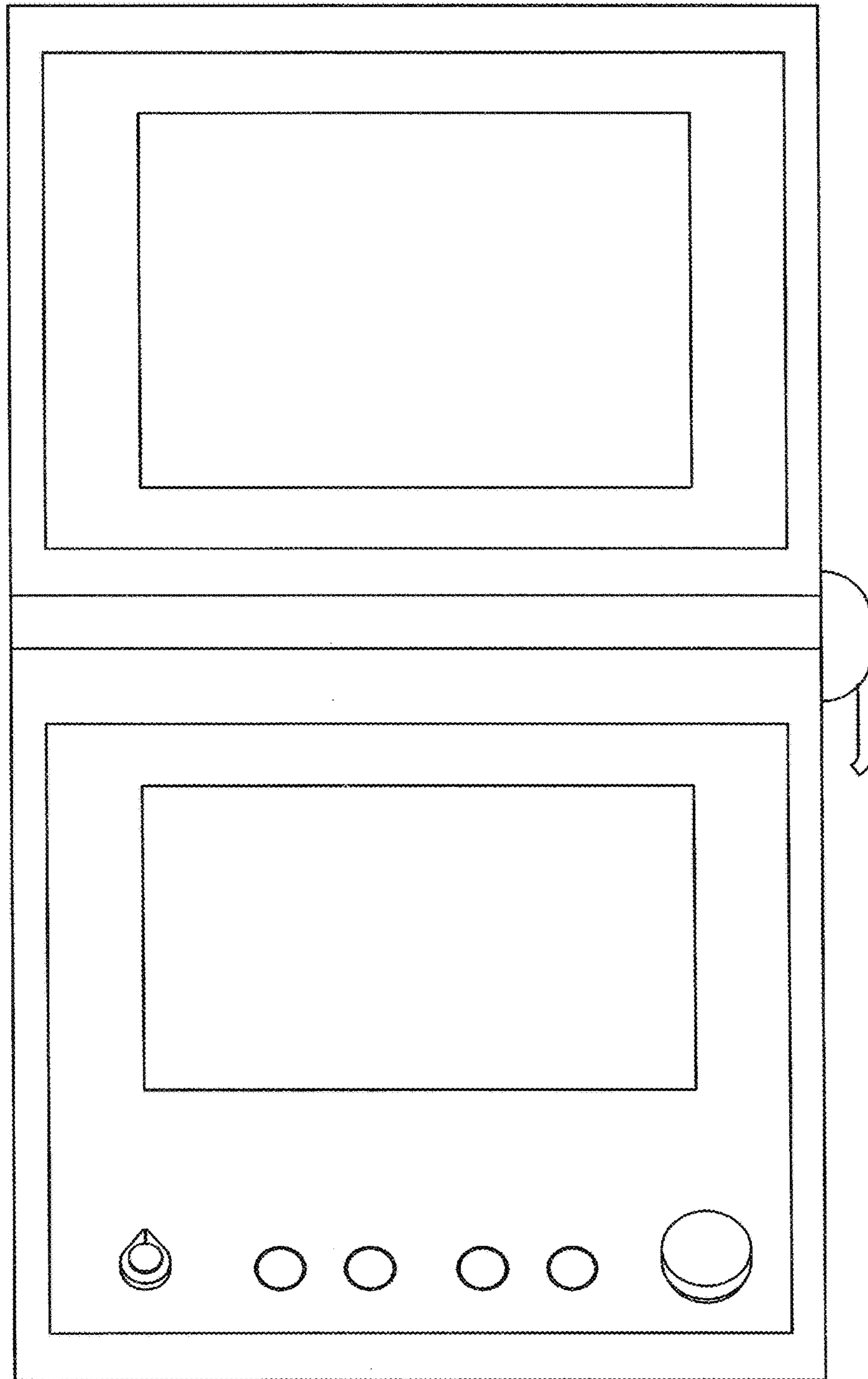


Fig. 2

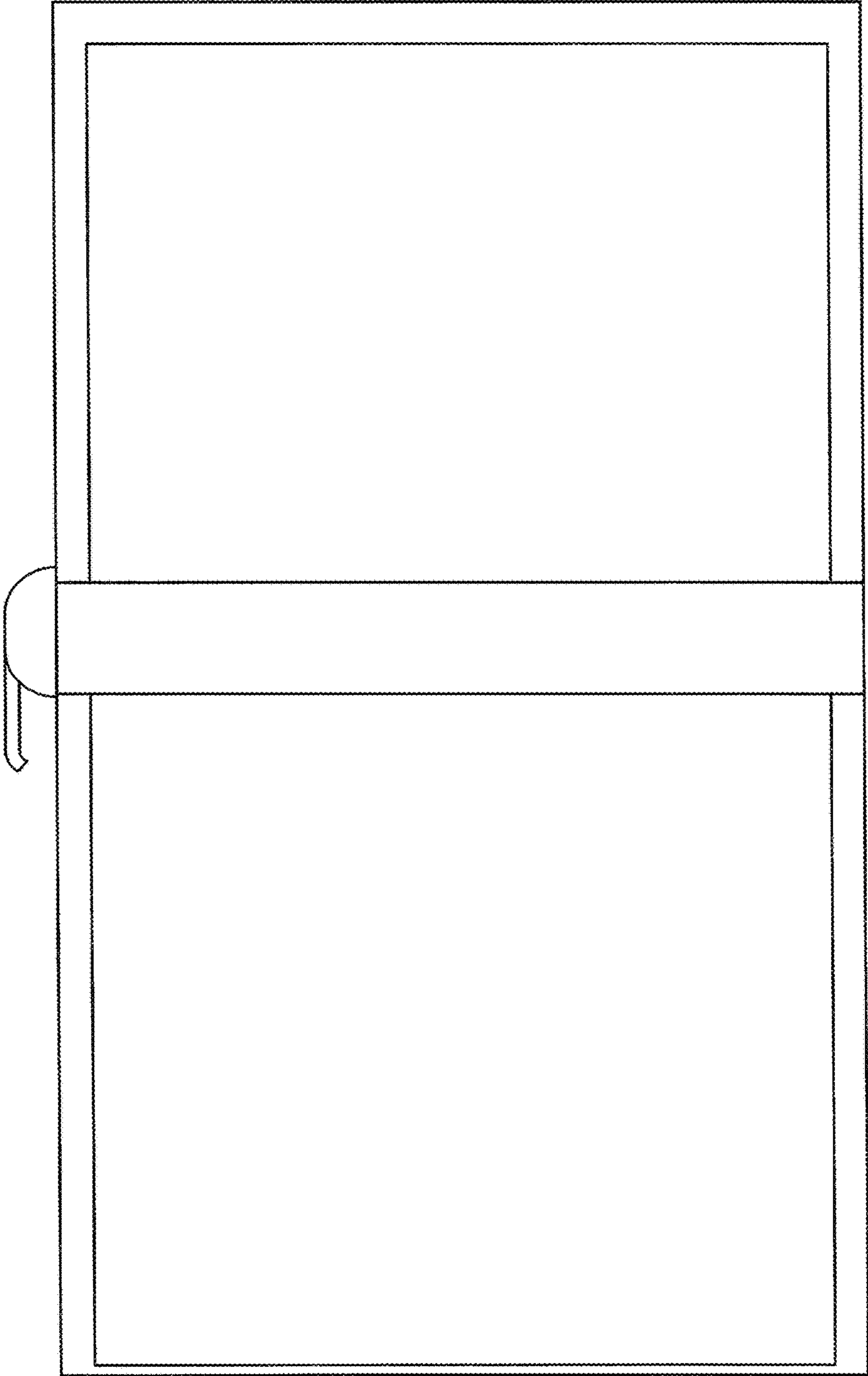


Fig. 3

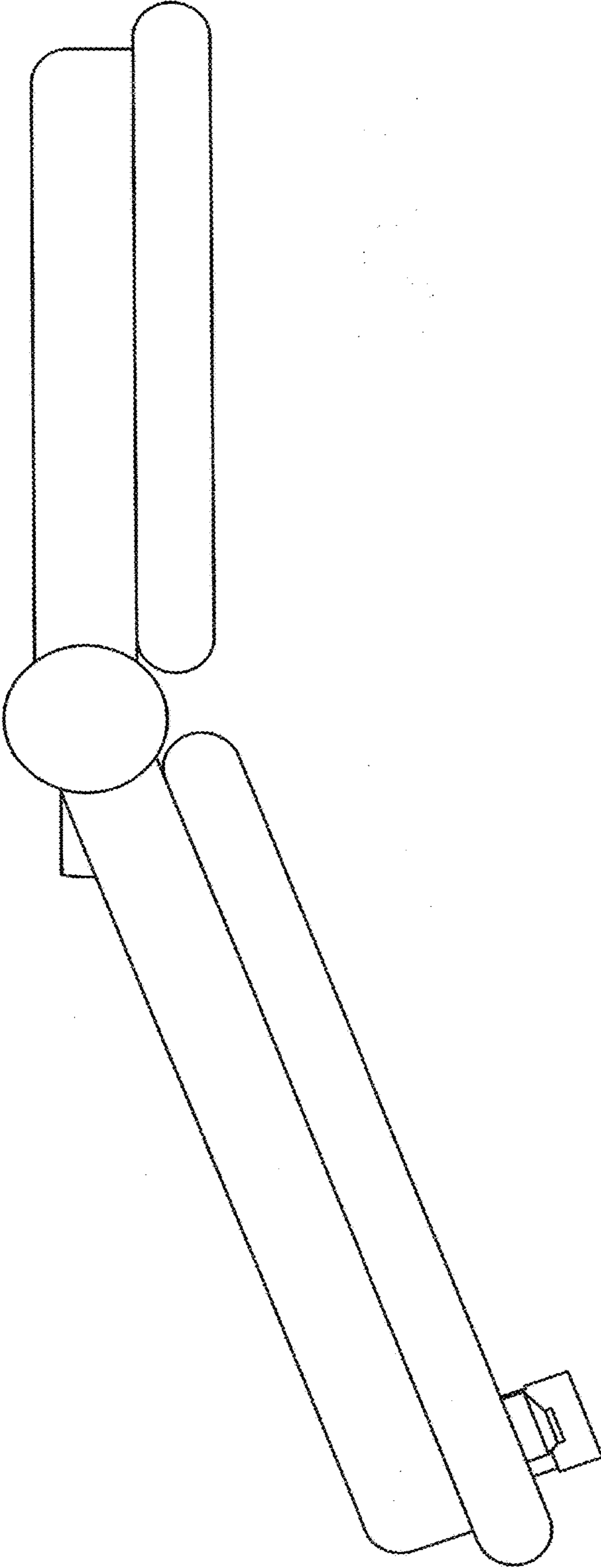


Fig. 4

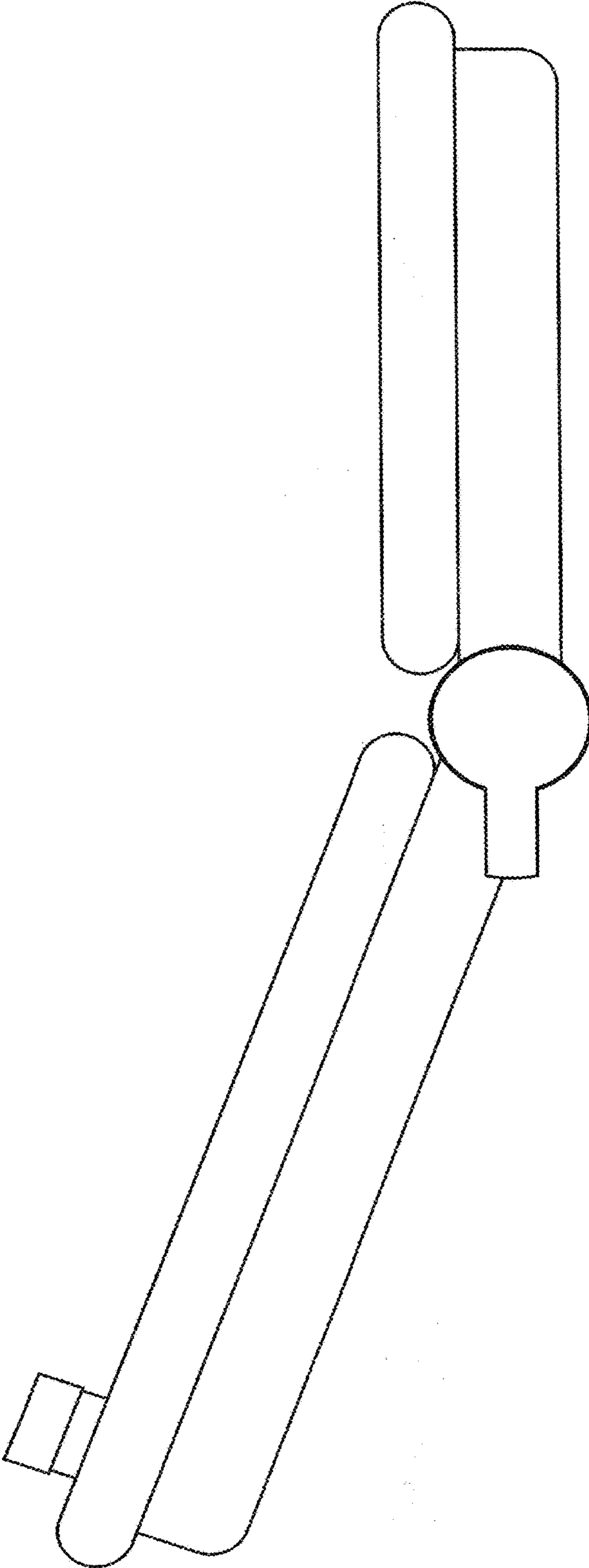


Fig. 5

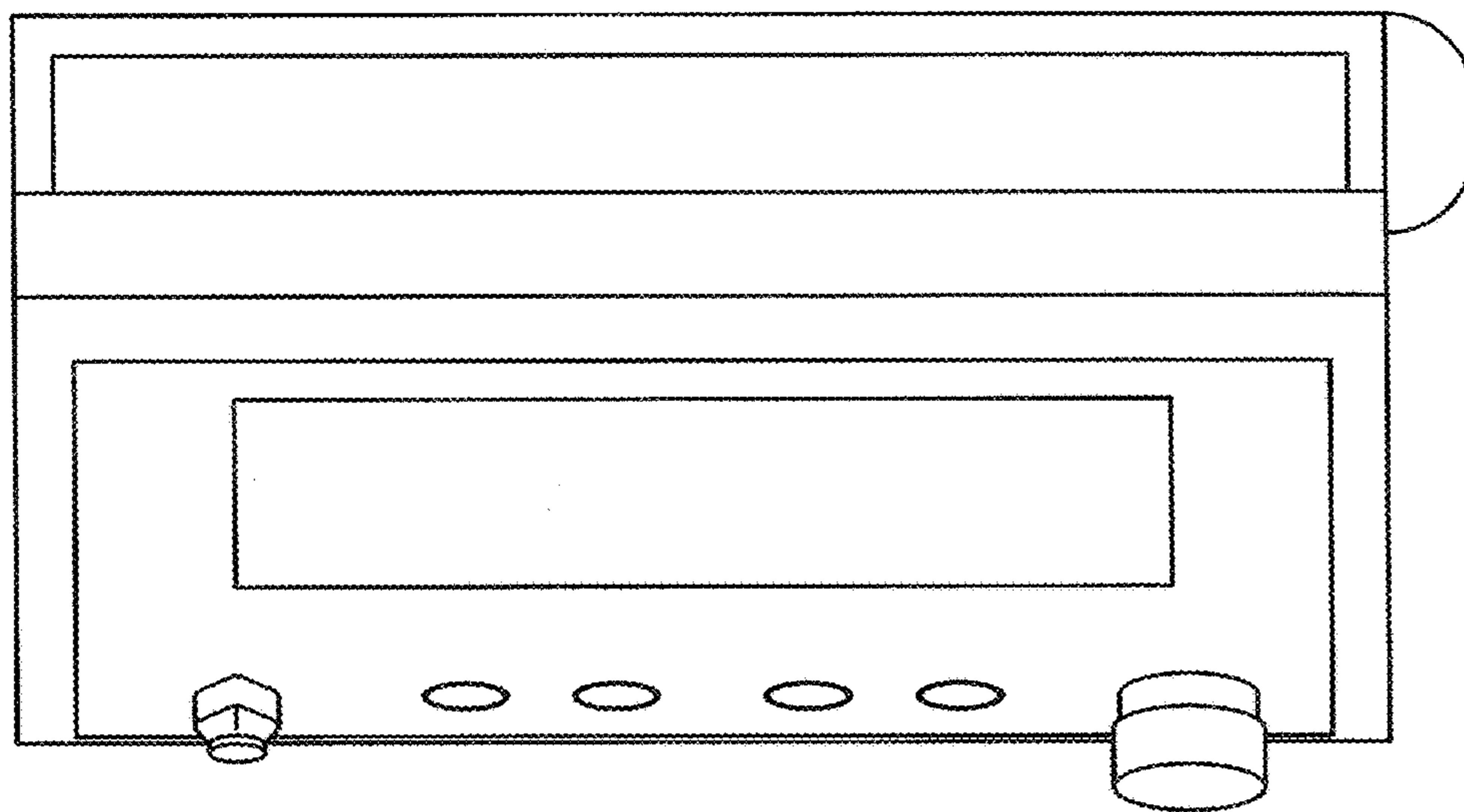


Fig. 6

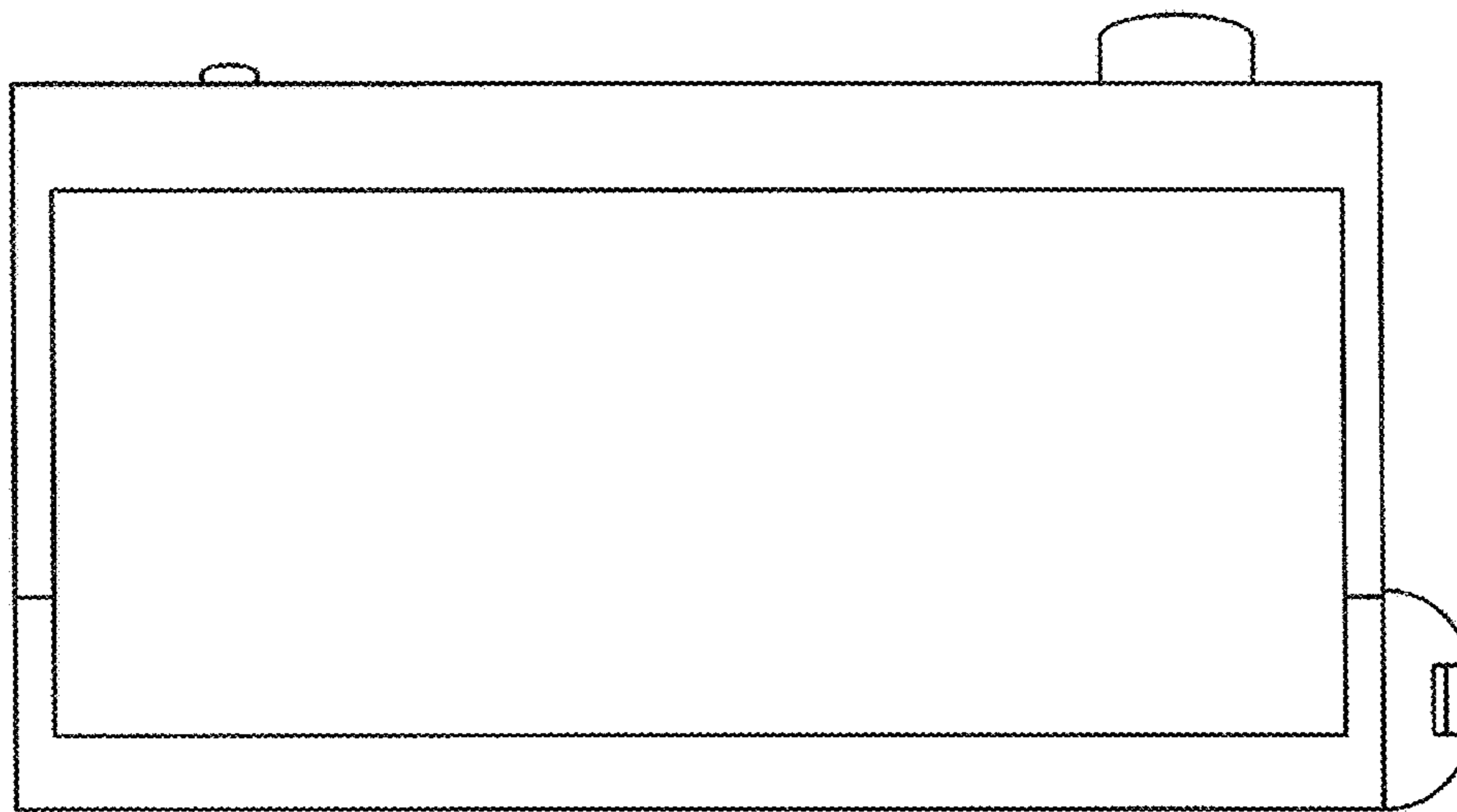


Fig. 7

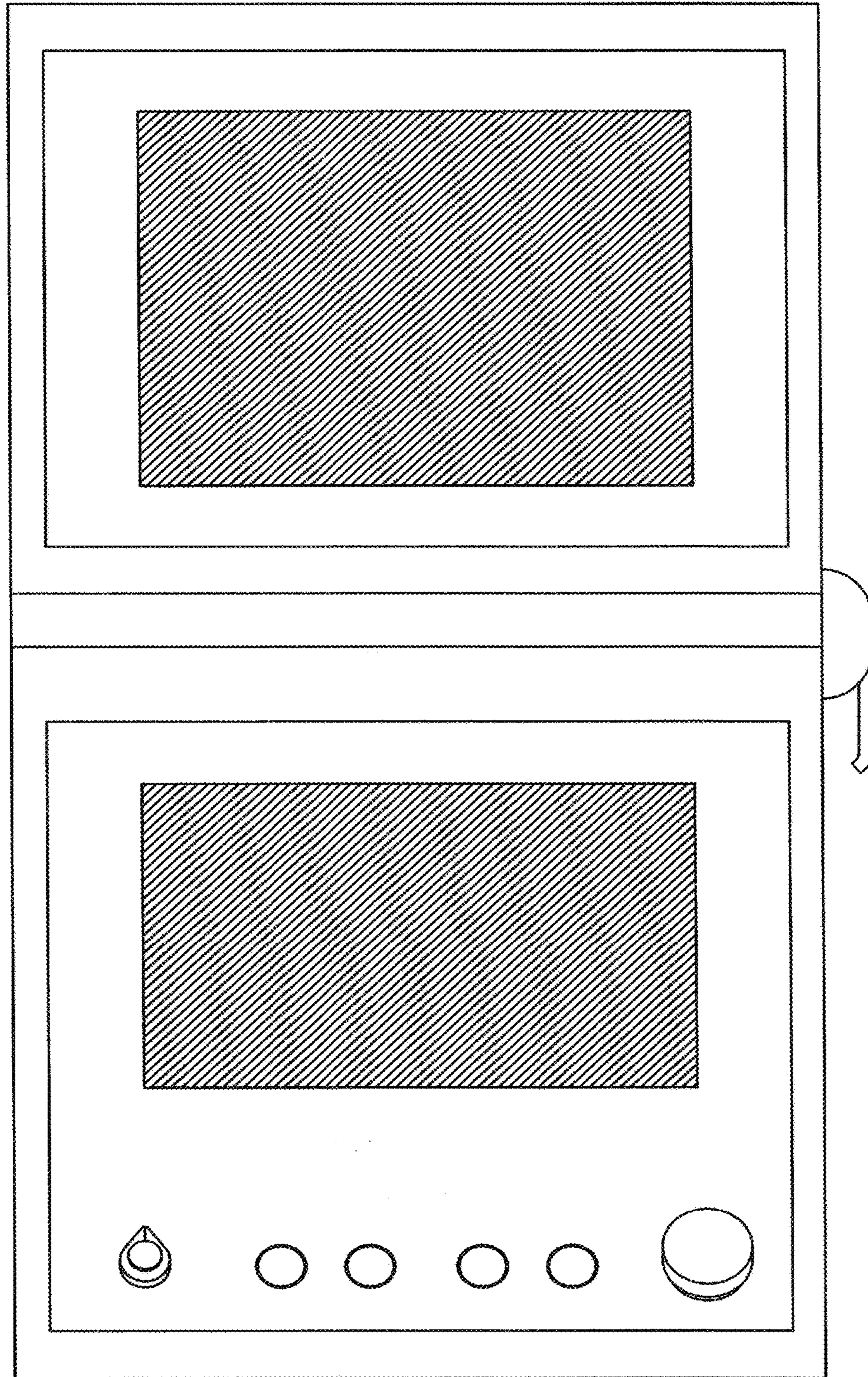


Fig. 8

