



US00D791193S

(12) **United States Design Patent** (10) **Patent No.:** **US D791,193 S**  
**Byrne et al.** (45) **Date of Patent:** **\*\* Jul. 4, 2017**

(54) **POWER END FRAME SEGMENT**

- (71) Applicant: **S.P.M. Flow Control, Inc.**, Fort Worth, TX (US)
- (72) Inventors: **Joseph H. Byrne**, Hudson Oaks, TX (US); **Jacob A. Bayyouk**, Richardson, TX (US); **Chandu Kumar**, Fort Worth, TX (US)
- (73) Assignee: **S.P.M. Flow Control, Inc.**, Fort Worth, TX (US)
- (\*\*) Term: **15 Years**
- (21) Appl. No.: **29/567,631**
- (22) Filed: **Jun. 10, 2016**

**Related U.S. Application Data**

- (63) Continuation of application No. 29/534,091, filed on Jul. 24, 2015, now Pat. No. Des. 759,728, which is a (Continued)
- (51) **LOC (10) Cl.** ..... **15-02**
- (52) **U.S. Cl.**  
USPC ..... **D15/9**
- (58) **Field of Classification Search**  
USPC ..... D15/7-9; D23/231, 232, 225; 417/60, 417/235, 265, 321, 355, 358, 363, 359,  
(Continued)

(56) **References Cited**

**U.S. PATENT DOCUMENTS**

- 364,627 A 6/1887 Arnold
  - 879,560 A 2/1908 Lepley
- (Continued)

**FOREIGN PATENT DOCUMENTS**

- BR 8700642 A 8/1988
  - CA 2486126 A1 10/2005
- (Continued)

**OTHER PUBLICATIONS**

“Simatool Bearing Handling Tool BHT,” Simatec Smart Technologies; Dec. 19, 2013; <http://www.simatec.com/products/simatool/bearinghandlingtool/>.

(Continued)

*Primary Examiner* — Ralf Seifert

(74) *Attorney, Agent, or Firm* — Gardere Wynne Sewell LLP

(57) **CLAIM**

The ornamental design for a power end frame segment, as shown and described.

**DESCRIPTION**

FIG. 1 is a front perspective view of a power end frame segment;

FIG. 2 is a front view of the power end frame segment;

FIG. 3 is a rear view of the power end frame segment;

FIG. 4 is left side view of the power end frame segment;

FIG. 5 is a right side view of the power end frame segment;

FIG. 6 is a top view of the power end frame segment; and,

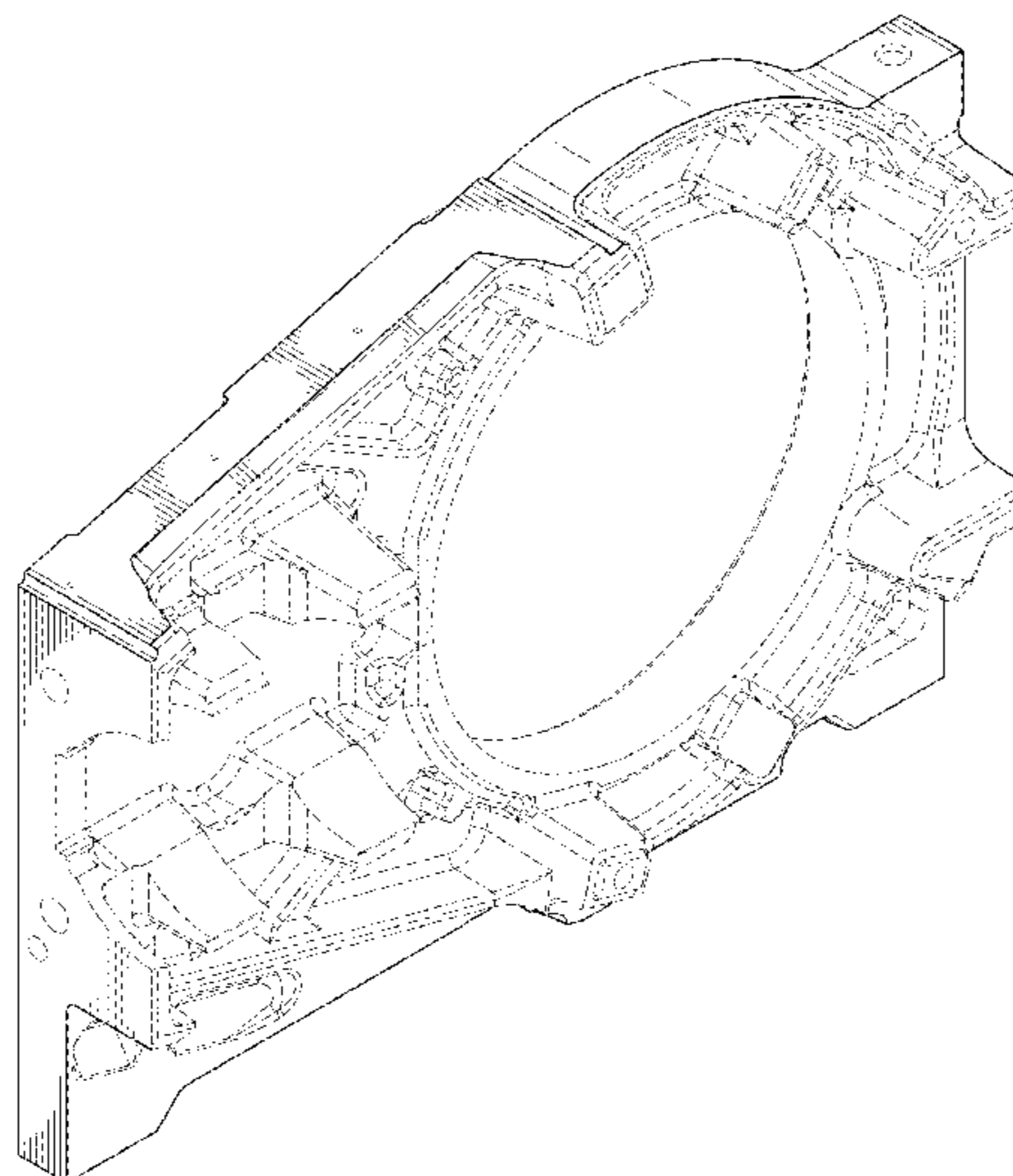
FIG. 7 is a bottom view of the power end frame segment.

The broken lines in FIGS. 1 through 7 form no part of the claimed design.

Attached hereto is an Appendix that includes FIGS. A through G. FIGS. A through G in the Appendix form no part of the claimed design.

Although FIGS. A-G form no part of the claimed design, FIGS. A through G depict a power end frame segment that includes the claimed design. FIG. A is a front perspective view of the power end frame segment. FIG. B is a front view of the power end frame segment. FIG. C is a rear view of the power end frame segment. FIG. D is a left side view of the power end frame segment. FIG. E is a right side view of the power end frame segment. FIG. F is a top view of the power end frame segment. FIG. G is a bottom view of the power end frame segment.

**1 Claim, 5 Drawing Sheets**



**Related U.S. Application Data**

continuation of application No. 14/808,513, filed on Jul. 24, 2015.

(58) **Field of Classification Search**

USPC ..... 417/410.1, 415-416, 405, 900; 60/408, 60/412; 137/343, 565.34; 184/26-37; 415/140-147; 123/495, 509  
 CPC ..... F02M 37/04; F02M 37/14  
 See application file for complete search history.

(56) **References Cited**

U.S. PATENT DOCUMENTS

1,418,202 A 5/1922 Parsons  
 1,707,228 A 4/1929 Knapp  
 1,867,585 A 7/1932 Moore  
 1,890,428 A 12/1932 Ferris et al.  
 1,926,925 A 9/1933 Wescott  
 2,056,622 A 10/1936 Schaer  
 2,420,779 A 5/1947 Holmes  
 2,428,602 A 10/1947 Yingling  
 2,443,332 A 6/1948 Summers  
 2,665,555 A 1/1954 Martinsson  
 2,682,433 A 6/1954 Maier  
 2,755,739 A 7/1956 Euwe  
 2,776,701 A 10/1956 Giraudeau  
 2,823,085 A 2/1958 Keylwert  
 2,828,931 A 4/1958 Harvey  
 2,878,990 A 3/1959 Zurcher  
 2,991,003 A 7/1961 Petersen  
 3,039,317 A 6/1962 Wilson  
 3,049,082 A 8/1962 Barry  
 3,137,179 A 6/1964 Moorhead  
 3,158,211 A 11/1964 McCue  
 3,163,474 A 12/1964 Wilson  
 3,168,665 A 2/1965 Holper  
 3,179,451 A 4/1965 Blank  
 3,206,242 A 9/1965 Fensin  
 3,207,142 A 9/1965 Gorissen et al.  
 3,236,315 A 2/1966 Lora  
 3,356,036 A 12/1967 Repp  
 3,358,352 A 12/1967 Wilcox  
 3,487,892 A 1/1970 Kiefer  
 3,595,101 A 7/1971 Cooper, Sr.  
 3,757,149 A 9/1973 Holper  
 3,760,694 A 9/1973 Lieb  
 3,883,941 A 5/1975 Coil  
 3,967,542 A 7/1976 Hall et al.  
 4,013,057 A 3/1977 Guenther  
 4,048,909 A 9/1977 Jepsen  
 4,099,447 A 7/1978 Ogles  
 4,140,442 A 2/1979 Mulvey  
 4,191,238 A 3/1980 Pichl  
 4,210,399 A 7/1980 Jain  
 4,211,190 A 7/1980 Indech  
 4,246,908 A 1/1981 Inagaki et al.  
 4,269,569 A 5/1981 Hoover  
 4,338,054 A 7/1982 Dahl  
 4,381,179 A 4/1983 Pareja  
 4,388,837 A 6/1983 Bender  
 4,476,772 A 10/1984 Gorman et al.  
 4,477,237 A 10/1984 Grable  
 4,494,415 A 1/1985 Elliston  
 4,512,694 A 4/1985 Foran et al.  
 4,553,298 A 11/1985 Grable  
 4,606,709 A 8/1986 Chisolm  
 4,667,627 A 5/1987 Matsui et al.  
 4,705,459 A 11/1987 Buisine et al.  
 4,729,249 A 3/1988 Besic  
 4,762,051 A 8/1988 Besic et al.  
 4,771,801 A 9/1988 Crump et al.  
 4,803,964 A 2/1989 Kurek et al.  
 4,809,646 A 3/1989 Paul et al.  
 4,824,342 A 4/1989 Buck  
 4,842,039 A 6/1989 Kelm

4,876,947 A 10/1989 Rhodes  
 4,887,518 A 12/1989 Hayakawa  
 4,939,984 A 7/1990 Fletcher-Jones  
 4,950,145 A 8/1990 Zanetos et al.  
 4,966,109 A 10/1990 Pusic et al.  
 5,031,512 A 7/1991 Graziani  
 5,060,603 A 10/1991 Williams  
 5,063,775 A 11/1991 Walker, Sr. et al.  
 5,076,220 A 12/1991 Evans et al.  
 5,078,580 A 1/1992 Miller et al.  
 5,080,319 A 1/1992 Nielsen  
 5,115,725 A 5/1992 Horiuchi  
 5,135,031 A 8/1992 Burgess et al.  
 5,156,534 A 10/1992 Burgy et al.  
 5,216,943 A 6/1993 Adler et al.  
 5,246,355 A 9/1993 Matzner et al.  
 5,247,873 A 9/1993 Owens et al.  
 5,287,612 A 2/1994 Paddock et al.  
 5,313,061 A 5/1994 Drew et al.  
 5,337,612 A 8/1994 Evans  
 5,370,093 A 12/1994 Hayes  
 D354,495 S \* 1/1995 Tojo ..... D15/7  
 5,425,306 A 6/1995 Binford  
 5,560,332 A 10/1996 Chang  
 5,594,665 A 1/1997 Walter et al.  
 5,658,250 A 8/1997 Blomquist et al.  
 5,671,655 A 9/1997 Vollrath  
 5,673,666 A 10/1997 Beardmore et al.  
 5,772,403 A 6/1998 Allison et al.  
 5,839,888 A 11/1998 Harrison  
 5,846,056 A 12/1998 Dhindsa et al.  
 5,855,397 A 1/1999 Black et al.  
 5,984,645 A 11/1999 Cummings  
 6,260,004 B1 7/2001 Hays et al.  
 6,330,525 B1 12/2001 Hays et al.  
 6,419,459 B1 7/2002 Sibbing  
 6,557,457 B1 5/2003 Hart et al.  
 6,663,349 B1 12/2003 Discenzo et al.  
 6,697,741 B2 2/2004 Yu et al.  
 6,718,955 B1 4/2004 Knight  
 D495,342 S 8/2004 Tojo et al.  
 D496,670 S 9/2004 Ohnishi  
 6,853,110 B1 2/2005 Durham et al.  
 6,859,740 B2 2/2005 Stephenson et al.  
 6,873,267 B1 3/2005 Tubel et al.  
 6,882,960 B2 4/2005 Miller  
 7,111,604 B1 9/2006 Hellenbroich et al.  
 D538,824 S 3/2007 Tojo  
 7,219,594 B2 5/2007 Kugelev et al.  
 7,220,119 B1 5/2007 Kirchmer et al.  
 7,272,533 B2 9/2007 Schlosser  
 7,364,412 B2 4/2008 Kugelev et al.  
 7,374,005 B2 5/2008 Gray, Jr.  
 7,404,704 B2 7/2008 Kugelev et al.  
 D591,311 S 4/2009 Tojo  
 7,588,384 B2 9/2009 Yokohara  
 7,610,847 B2 11/2009 McKelroy  
 7,621,179 B2 11/2009 Ens et al.  
 7,623,986 B2 11/2009 Miller  
 D613,765 S \* 4/2010 Reverberi ..... D15/5  
 D613,766 S \* 4/2010 Reverberi ..... D15/5  
 D616,467 S \* 5/2010 Reverberi ..... D15/5  
 7,866,153 B2 1/2011 Sollie et al.  
 D633,105 S \* 2/2011 Magri ..... D15/7  
 7,931,078 B2 4/2011 Toporowski et al.  
 8,100,048 B2 1/2012 Christopher  
 8,162,631 B2 4/2012 Patel et al.  
 D658,684 S 5/2012 Roman  
 D668,266 S 10/2012 Ramirez, Jr.  
 D670,312 S 11/2012 Alexander et al.  
 D676,875 S 2/2013 Ramirez, Jr.  
 8,376,723 B2 2/2013 Kugelev et al.  
 D678,628 S 3/2013 Krueger  
 D678,911 S 3/2013 Prevost  
 D682,317 S 5/2013 Carruth et al.  
 D685,393 S 7/2013 Prevost  
 8,529,230 B1 9/2013 Colley, III et al.  
 D692,026 S 10/2013 Alexander et al.  
 D693,200 S 11/2013 Saunders

(56)

References Cited

U.S. PATENT DOCUMENTS

D698,502	S	1/2014	Krueger	
D700,211	S	* 2/2014	Alexander	D15/7
D700,622	S	3/2014	Carruth et al.	
8,707,853	B1	4/2014	Dille et al.	
D704,385	S	5/2014	Hoofman	
D708,401	S	7/2014	Krueger	
D713,101	S	9/2014	Bruno et al.	
8,833,301	B2	9/2014	Donegan et al.	
8,833,302	B2	9/2014	Donegan et al.	
8,857,374	B1	10/2014	Donegan et al.	
D759,728	S	* 6/2016	Byrne	D15/9
2002/0020460	A1	2/2002	Viken	
2002/0189587	A1	12/2002	Hirano	
2003/0024386	A1	2/2003	Burke	
2003/0079604	A1	5/2003	Seo	
2003/0118104	A1	6/2003	Zaccarin	
2004/0213677	A1	10/2004	Matzner et al.	
2004/0219040	A1	11/2004	Kugelev et al.	
2004/0244577	A1	12/2004	Haughom	
2006/0029502	A1	2/2006	Kugelev et al.	
2007/0041847	A1	2/2007	Inoue et al.	
2007/0041849	A1	2/2007	Allen	
2007/0099746	A1	5/2007	Hahlbeck	
2007/0144842	A1	6/2007	Zhou	
2008/0006148	A1	1/2008	McKelroy	
2008/0078583	A1	4/2008	Cummins	
2008/0213115	A1	9/2008	Hilger et al.	
2008/0271562	A1	11/2008	Yasuhara et al.	
2009/0084260	A1	4/2009	Christopher	
2009/0092510	A1	4/2009	Williams et al.	
2010/0044028	A1	2/2010	Brooks	
2010/0129245	A1	5/2010	Patel et al.	
2010/0129249	A1	5/2010	Bianchi et al.	
2010/0158726	A1	6/2010	Donald et al.	
2010/0160710	A1	6/2010	Strickland	
2010/0172778	A1	7/2010	Kugelev et al.	
2010/0242720	A1	9/2010	Matzner et al.	
2010/0260631	A1	10/2010	Kugelev et al.	
2010/0322802	A1	12/2010	Kugelev	
2012/0141305	A1	6/2012	Landers et al.	
2012/0144995	A1	6/2012	Bayyouk et al.	
2012/0148430	A1	6/2012	Hubenschmidt et al.	
2012/0167759	A1	7/2012	Chinthan et al.	
2013/0064696	A1	3/2013	McCormick et al.	
2013/0206108	A1	8/2013	Schule et al.	
2013/0233165	A1	9/2013	Matzner et al.	
2014/0196570	A1	7/2014	Small et al.	
2015/0377318	A1	12/2015	Byrne	
2016/0025082	A1	1/2016	Byrne et al.	
2016/0025088	A1	1/2016	Byrne et al.	
2016/0025089	A1	1/2016	Kumar et al.	
2016/0025090	A1	1/2016	Bayyouk et al.	

FOREIGN PATENT DOCUMENTS

CA	2686204	A1	5/2010
CA	2749110	A1	7/2010
CA	153846	S	9/2014
CN	2436688	Y	6/2001
CN	2612816	Y	4/2004
CN	2674183	Y	1/2005
CN	2705626	Y	6/2005
CN	2758526	Y	2/2006
CN	1908435	A	2/2007
CN	2900853	Y	5/2007
CN	2926584	Y	7/2007
CN	200964929	Y	10/2007
CN	201092955	Y	7/2008
CN	101476558	A	7/2009
CN	201610828	U	10/2010
CN	201836038	U	5/2011
CN	201874803	U	6/2011
CN	102439314	A	5/2012
CN	103403351	A	11/2013
CN	2009100265839		4/2014

CN	ZL201330555622.7		5/2014
CN	105264275	A	1/2016
DE	975401	C	11/1961
DE	1191069	B	4/1965
DE	3234504	A1	4/1983
DE	3441508	A1	5/1986
DE	3802714	A1	8/1988
DE	4416120	A1	11/1995
DE	19653164	C2	3/2000
DE	20120609	U1	3/2002
DE	10129046	B4	1/2006
EP	0300905	A1	1/1989
EP	0449278	A1	10/1991
EP	2397694	A1	12/2011
FR	2618509	A1	1/1989
GB	2342421	B	3/2003
GB	2419671	A	5/2006
GB	2482786	B	1/2015
JP	60175753	A	9/1985
JP	194453		7/1991
JP	10288086	A	10/1998
JP	292004	B2	7/1999
JP	11200947	A	7/1999
JP	3974386	B2	9/2007
JP	2008539364	A	11/2008
KP	199990079544		11/1999
KP	100287572		6/2001
KR	1019990060438		7/1999
KR	100275877	B1	12/2000
KR	20010065249	A	7/2001
KR	100302886		11/2001
KR	10200170108223		12/2001
RU	2037700	C1	6/1995
SG	20131413		3/2014
WO	WO-2008137515	A1	11/2008
WO	WO-2010080961	A2	7/2010
WO	WO-2010080963	A2	7/2010
WO	WO-2011005571	A2	1/2011
WO	WO-2012092452	A2	7/2012
WO	WO-2013183490	A1	12/2013
WO	WO-2014143094	A1	9/2014
WO	WO-2015200810	A2	12/2015
WO	WO-2016014967	A1	1/2016
WO	WO-2016014988	A1	1/2016
WO	WO-2016015006	A1	1/2016
WO	WO-2016015012	A1	1/2016

OTHER PUBLICATIONS

International Search Report mailed Dec. 4, 2015 in corresponding PCT application PCT/US2015/042078, 13 pages.

International Search Report and Written Opinion mailed Dec. 28, 2015 in corresponding international application PCT/US2015/042043, 14 pages.

International Search Report mailed Jun. 29, 2015 in corresponding PCT application, PCT/US2015/014898, 14 pages.

Advisory Action mailed Apr. 7, 2009, by the USPTO, re U.S. Appl. No. 10/833,921.

Australia Exam Report, issued Feb. 9, 2015, by IP Australia, re App No. 2011352095.

Canadian Examiner's Report dated Aug. 18, 2016, by CIPO, re App No. 2905809.

Canadian Examiner's Report dated Jan. 11, 2016, by CIPO, re App No. 2749110.

Canadian Examiner's Report dated Oct. 22, 2015, by CIPO, re App No. 2686204.

Canadian Examiner's Report dated May 13, 2014, by CIPO, re App No. 153846.

Canadian Examiner's Report dated Oct. 8, 2014, by CIPO, re App No. 2823213.

Chinese Office Action dated Mar. 15, 2013, re App No. 200910226583.9.

Chinese Office Action, issued Sep. 2, 2014, by SIPO, re App No. 201080008236.X.

Decision on Appeal mailed Feb. 20 2013 by USPTO, re U.S. Appl. No. 10/831,467.

(56)

**References Cited**

## OTHER PUBLICATIONS

Dirk Guth et al., "New Technology for a High Dynamical MRF-Clutch for Safe and Energy-Efficient Use in Powertrain," FISITA 2012 World Automotive Congress, Beijing, China, Nov. 27-30, 2012, 31 pages.

Election Requirement, mailed Nov. 18 2014, by the USPTO, re U.S. Appl. No. 29/455,618.

*Estee Lauder Inc. v. L'Oreal*, USA, 129 F.3d 588, 44 U.S.P.Q.2d 1610, No. 96-1512, United States Court of Appeals, Federal Circuit, Decided Nov. 3, 1997.

Examiner's Answer mailed Jan. 29, 2010 by USPTO, re U.S. Appl. No. 10/831,467.

Examiners Interview Summary mailed Apr. 10, 2008, by the USPTO, re U.S. Appl. No. 10/833,921.

Examiners Interview Summary mailed Jul. 17, 2008, by the USPTO, re U.S. Appl. No. 10/831,467.

Gardner Denver Well Servicing Pump Model C-25000Q Power End Parts List, Feb. 2009.

International Preliminary Report on Patentability, by the IPEA/US, mailed Aug. 23, 2016 re PCT/US2013/042043.

International Preliminary Report on Patentability, by the IPEA/US, mailed Jan. 4, 2012 re PCT/US2010/039651.

International Preliminary Report on Patentability, by the IPEA/US, mailed Jul. 12, 2011 re PCT/US2010/020445.

International Preliminary Report on Patentability, by the IPEA/US, mailed Jul. 12, 2011 re PCT/US2010/020447.

International Preliminary Report on Patentability, by the IPEA/US, mailed Mar. 9, 2015 re PCT/US2013/040106.

International Preliminary Report on Patentability, by the IPEA/US, mailed Sep. 16, 2016 re PCT/US2015/042104.

International Search Report and Written Opinion mailed Oct. 19, 2015 in correspondence, PCT/US2015/042104; 11 pages.

International Search Report and Written Opinion, by the ISA/US, mailed Aug. 28, 2012, re PCT/US2011/067770, 6 pages.

International Search Report and Written Opinion, by the ISA/US, mailed Aug. 3, 2010, re PCT/US2010/020445, 7 pages.

International Search Report and Written Opinion, by the ISA/US, mailed Aug. 3, 2010, re PCT/US2010/020447, 7 pages.

International Search Report and Written Opinion, by the ISA/US, mailed Feb. 24, 2011, re PCT/US2010/039651, 7 pages.

International Search Report and Written Opinion, by the ISA/US, mailed Mar. 4, 2015, re PCT/US2014/069567.

International Search Report and Written Opinion, by the ISA/US, mailed Nov. 27, 2015, re PCT/US2015/038008.

International Search Report and Written Opinion, by the ISA/US, mailed Oct. 19, 2015, re PCT/US2015/042104.

International Search Report and Written Opinion, by the ISA/US, mailed Oct. 19, 2015, re PCT/US2015/042119.

International Search Report and Written Opinion, by the ISA/US, mailed Sep. 5, 2013, re PCT/US2013/040106.

"Metadyne, Torsional Vibration Dampers Brochure."

MSI/Dixie Iron Works, Ltd., Technical Manual for 600 HP Triplex MSI TI-600 Pump, Rev. P. 102 date unknown.

MSI/Dixie Iron Works, Ltd., Technical Manual for MSI Hybrid Well Service Pump Triplex and Quintuplex Modesl, Rev. D, 91 pages, date unknown.

Notice of Allowance mailed Dec. 23, 2011, by the USPTO, re U.S. Appl. No. 12/277,849.

Notice of Allowance mailed Feb. 12, 2016, by the USPTO, re U.S. Appl. No. 29/534,091.

Notice of Allowance ailed Jan. 28, 2015, by the USPTO, re U.S. Appl. No. 29/455,618.

Notice of Allowance mailed Oct. 12, 2012, by the USPTO, re U.S. Appl. No. 12/883,804.

Office Action mailed Apr. 19, 2012, by the USPTO, re U.S. Appl. No. 12/821,663.

Office Action mailed Jan. 18, 2013, by the USPTO, re U.S. Appl. No. 12/748,127.

Office Action mailed Jan. 2, 2014, by the USPTO, re U.S. Appl. No. 13/866,121.

Office Action mailed Jan. 21, 2009, by the USPTO, re U.S. Appl. No. 10/833,921.

Office Action mailed Jan. 27, 2012, by the USPTO, re U.S. Appl. No. 12/683,804.

Office Action mailed Jul. 16, 2007, by the USPTO, re U.S. Appl. No. 10/831,467.

Office Action mailed Jul. 16, 2012, by the USPTO, re U.S. Appl. No. 12/683,804.

Office Action mailed Jul. 28, 2008, by the USPTO, re U.S. Appl. No. 10/833,921.

Office Action mailed Jun. 1, 2016, by the USPTO, re U.S. Appl. No. 14/565,962.

Office Action mailed Jun. 24, 2009, by the USPTO, re U.S. Appl. No. 10/831,497.

Office Action mailed Mar. 8, 2016, by the USPTO, re U.S. Appl. No. 14/262,880.

Office Action mailed Mar. 9, 2012, by the USPTO, re U.S. Appl. No. 12/821,663.

Office Action mailed May 23, 2013, by the USPTO, re U.S. Appl. No. 12/683,900.

Office Action mailed May 29, 2007, by the USPTO, re U.S. Appl. No. 10/833,921.

Office Action mailed May 7, 2008, by the USPTO, re U.S. Appl. No. 10/831,467.

Office Action mailed Nov. 14, 2008, by the USPTO, re U.S. Appl. No. 10/831,467.

Office Action mailed Oct. 11, 2011, by the USPTO, re U.S. Appl. No. 12/277,849.

Office Action mailed Oct. 7, 2013, by the USPTO, re U.S. Appl. No. 13/643,525.

Office Action mailed Sep. 18, 2007, by the USPTO, re U.S. Appl. No. 10/833,921.

Office Action mailed Sep. 29, 2014, by the USPTO, re U.S. Appl. No. 13/339,640.

Office Action/Restriction mailed Mar. 29, 2016, by the USPTO, re U.S. Appl. No. 14/565,962.

SPM QEM2500 GL Well Service Plunger Pump, Generic Operation Instruction and Service Manual, May 8, 2010.

Suction Requirements for Reciprocating Power Pumps, p. 59, Figure 3.4 Composite Pump Dynamics.

Supplemental Notice of Allowance mailed Mar. 21, 2012, by the USPTO, re U.S. Appl. No. 12/277,849.

Canadian Office Action dated May 17, 2011, re App No. 2486126.

Chinese Office Action mailed Oct. 29, 2013, re App No. 201080008236.X.

\* cited by examiner

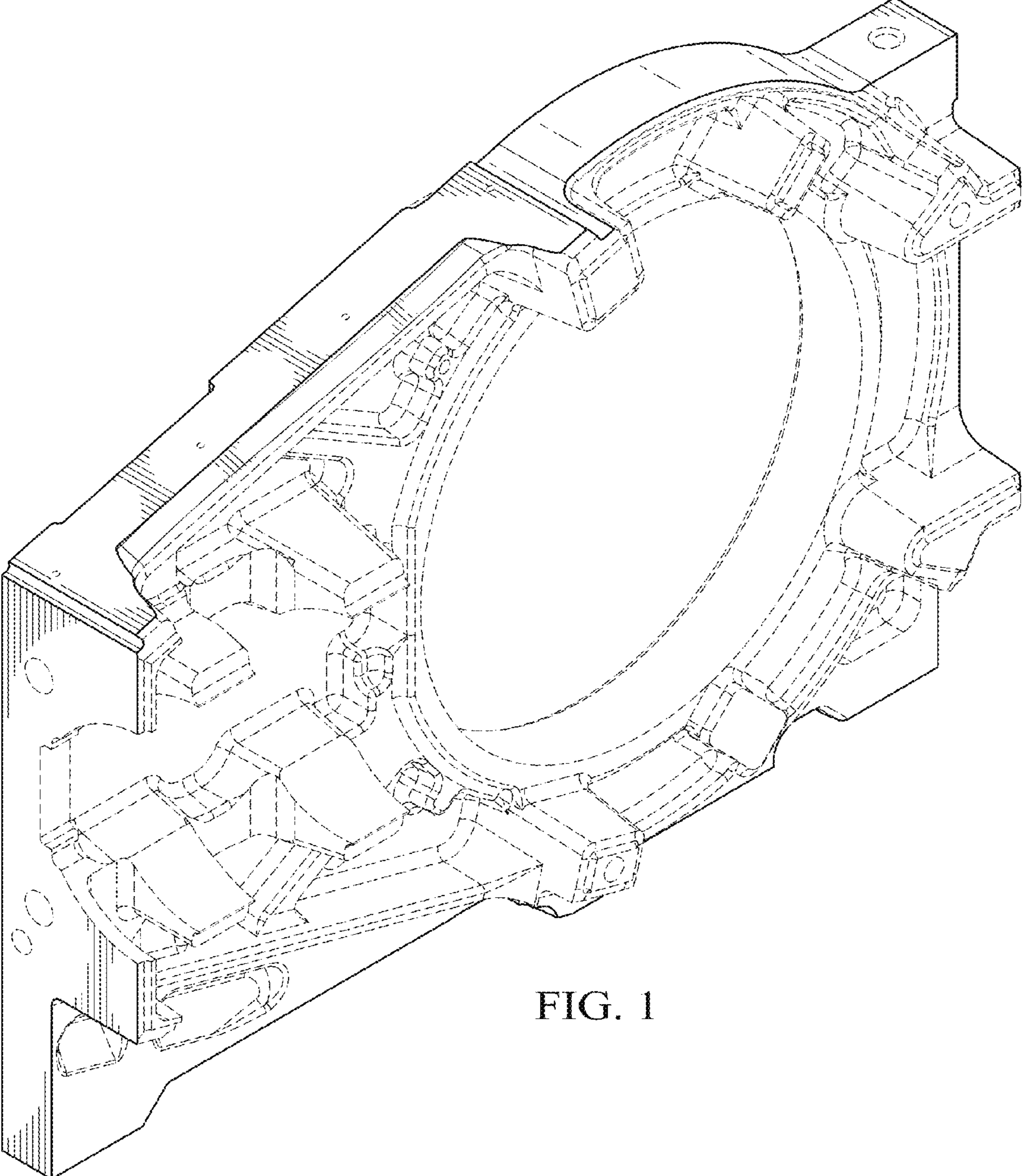


FIG. 1

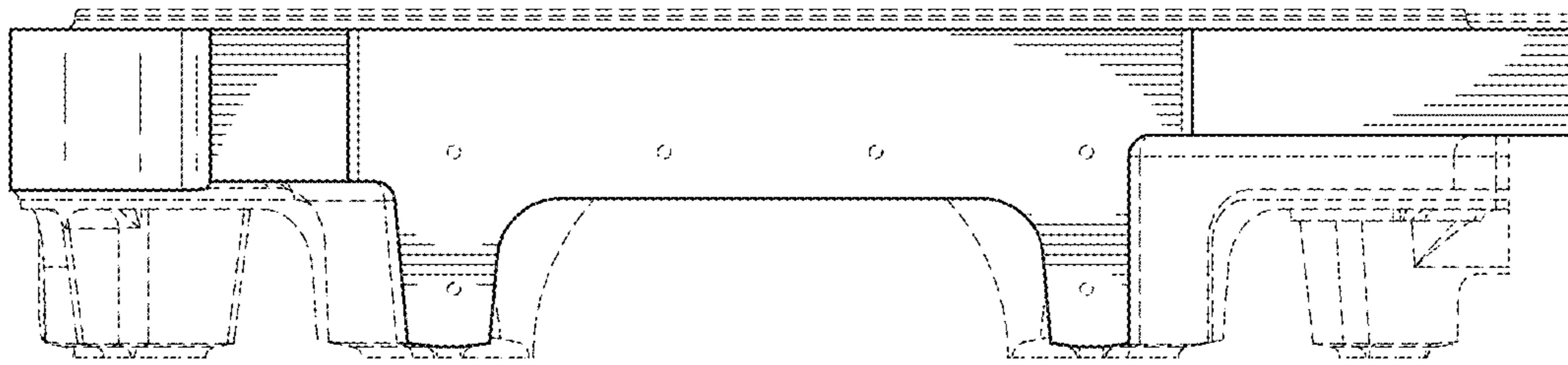


FIG. 3

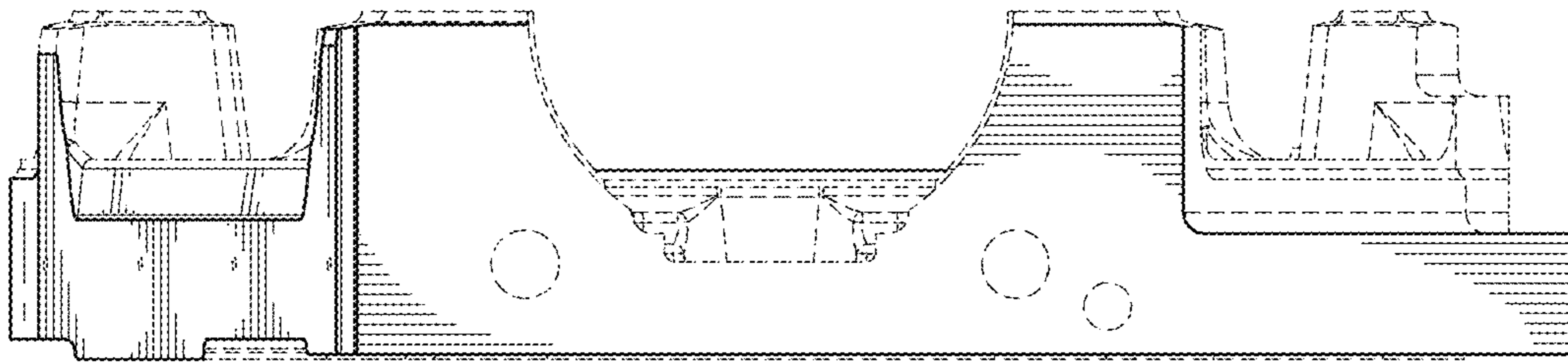


FIG. 2

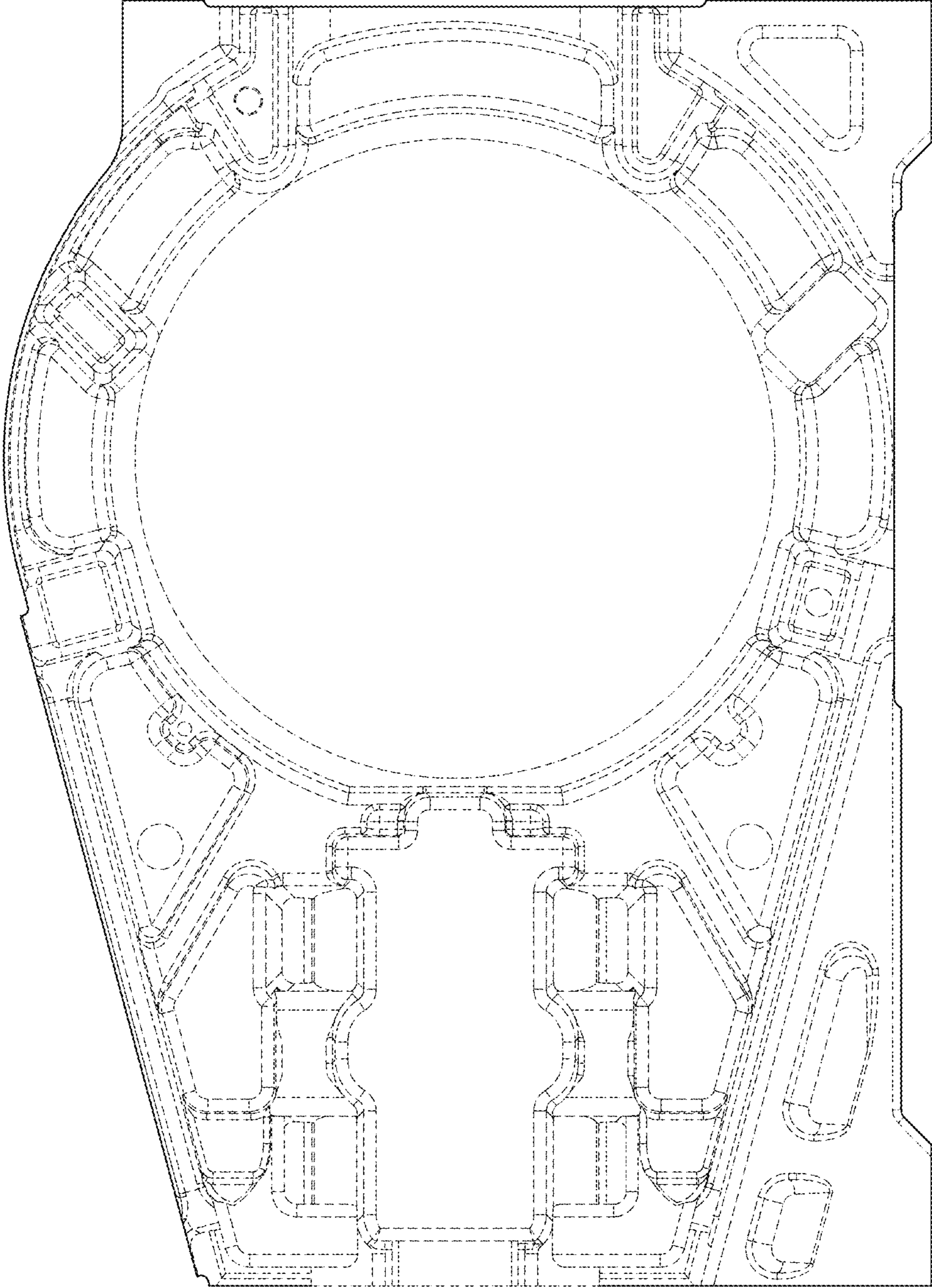


FIG. 4

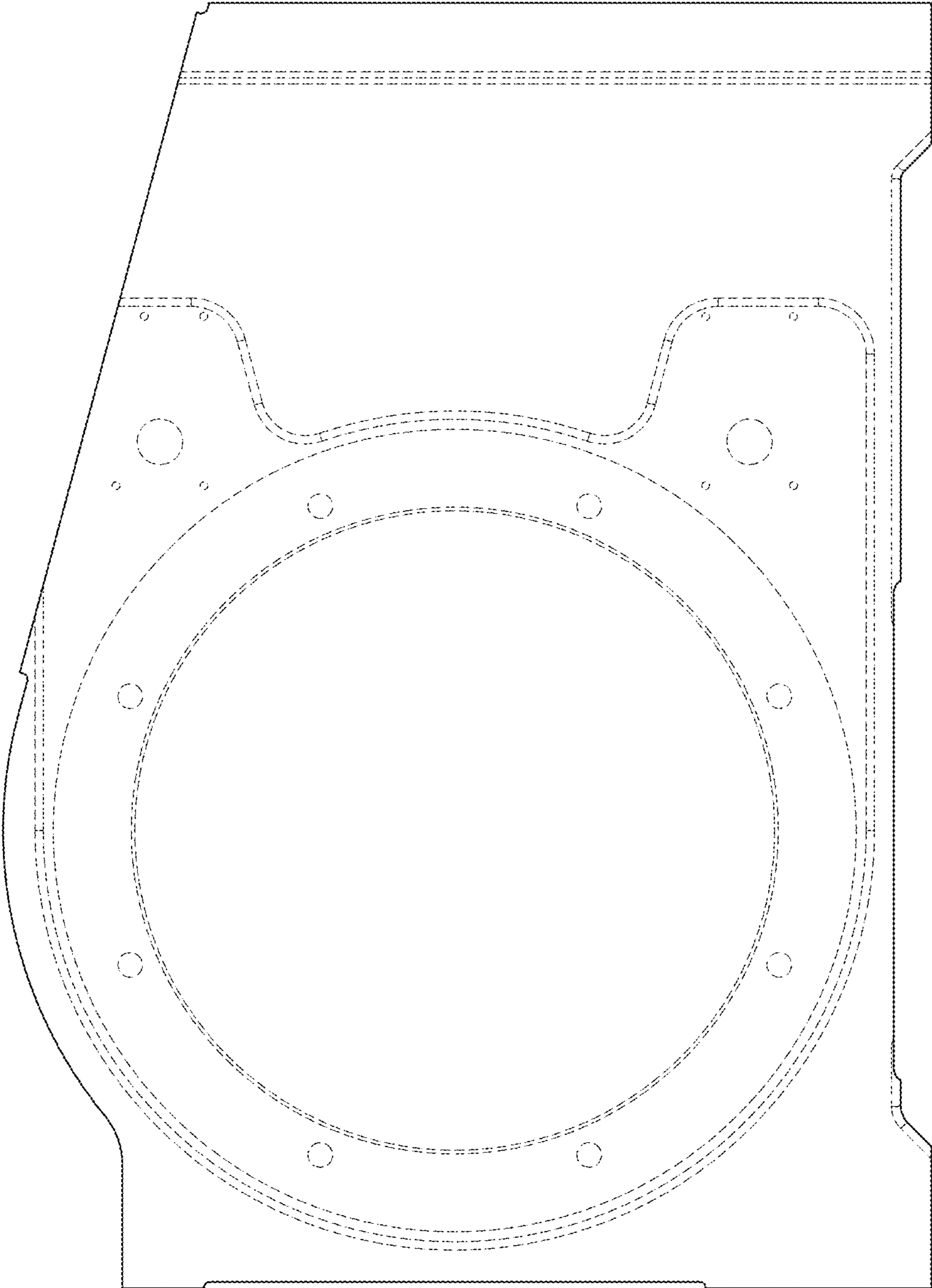


FIG. 5



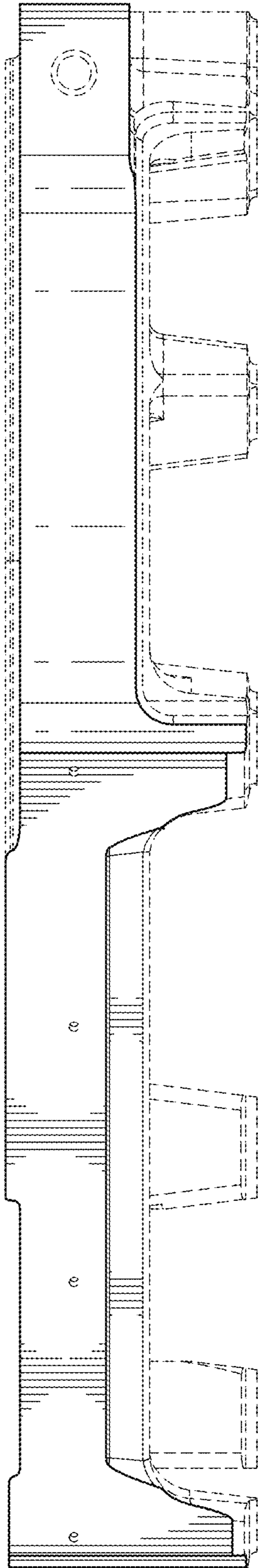


FIG. 6

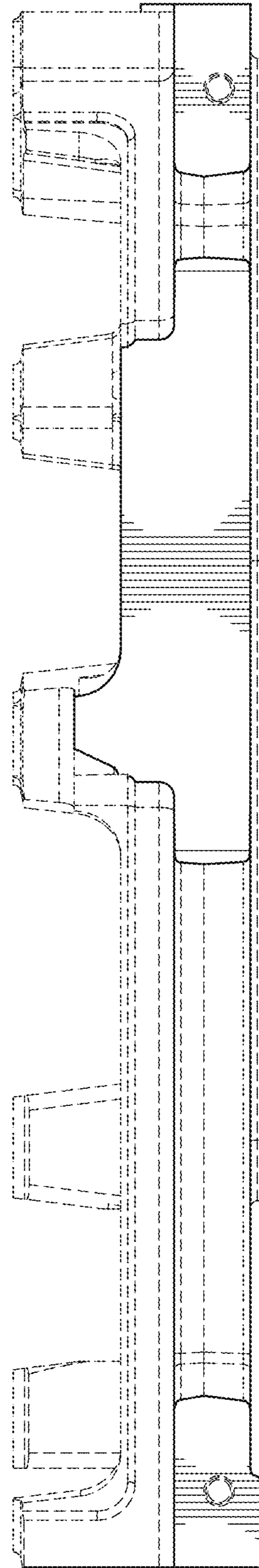


FIG. 7