



US00D791191S

(12) **United States Design Patent**
Hartung

(10) **Patent No.:** **US D791,191 S**

(45) **Date of Patent:** **** Jul. 4, 2017**

(54) **VACUUM PUMP**

(71) Applicant: **Gebr. Becker GmbH**, Wuppertal (DE)

(72) Inventor: **Michael Hartung**, Essen (DE)

(73) Assignee: **Gebr. Becker GmbH**, Wuppertal (DE)

(**) Term: **15 Years**

(21) Appl. No.: **29/544,780**

(22) Filed: **Nov. 6, 2015**

(30) **Foreign Application Priority Data**

May 7, 2015 (EM) 001434369

(51) **LOC (10) Cl.** **15-02**

(52) **U.S. Cl.**
USPC **D15/7**

(58) **Field of Classification Search**
USPC D15/7-9; D23/231, 232, 225; 417/60,
417/235, 265, 321, 355, 358, 363, 359,
417/410.1, 415-416, 405, 900, 269, 539;
60/408, 412; 184/26-37; 415/140-147;
123/495, 509; 137/565.34
CPC F02M 37/04; F02M 37/14; F04B 53/92;
F04B 1/005
See application file for complete search history.

(56) **References Cited**

U.S. PATENT DOCUMENTS

D263,302 S *	3/1982	Terajima	D15/7
D275,198 S *	8/1984	Yokota	D15/1
D328,304 S *	7/1992	Frohn	D15/1
D450,327 S *	11/2001	Mori	D15/7
D485,565 S *	1/2004	Martinello	D15/7
D518,068 S *	3/2006	Rodopoulos	D15/7
D573,607 S *	7/2008	Bulter	D15/7
D573,609 S *	7/2008	Bilger	D15/7
D613,635 S *	4/2010	Chu	D15/9
D617,814 S *	6/2010	Dreifert	D15/7

D630,229 S *	1/2011	Dreifert	D15/7
D652,844 S *	1/2012	Hanitsch	D15/7
D655,314 S *	3/2012	Yoshimura	D15/9
D661,709 S *	6/2012	Ishikawa	D15/7
D668,684 S *	10/2012	Noguchi	D15/9
D672,787 S *	12/2012	Soderstrom	D15/7

(Continued)

Primary Examiner — Ralf Seifert

(74) *Attorney, Agent, or Firm* — Collard & Roe, P.C.

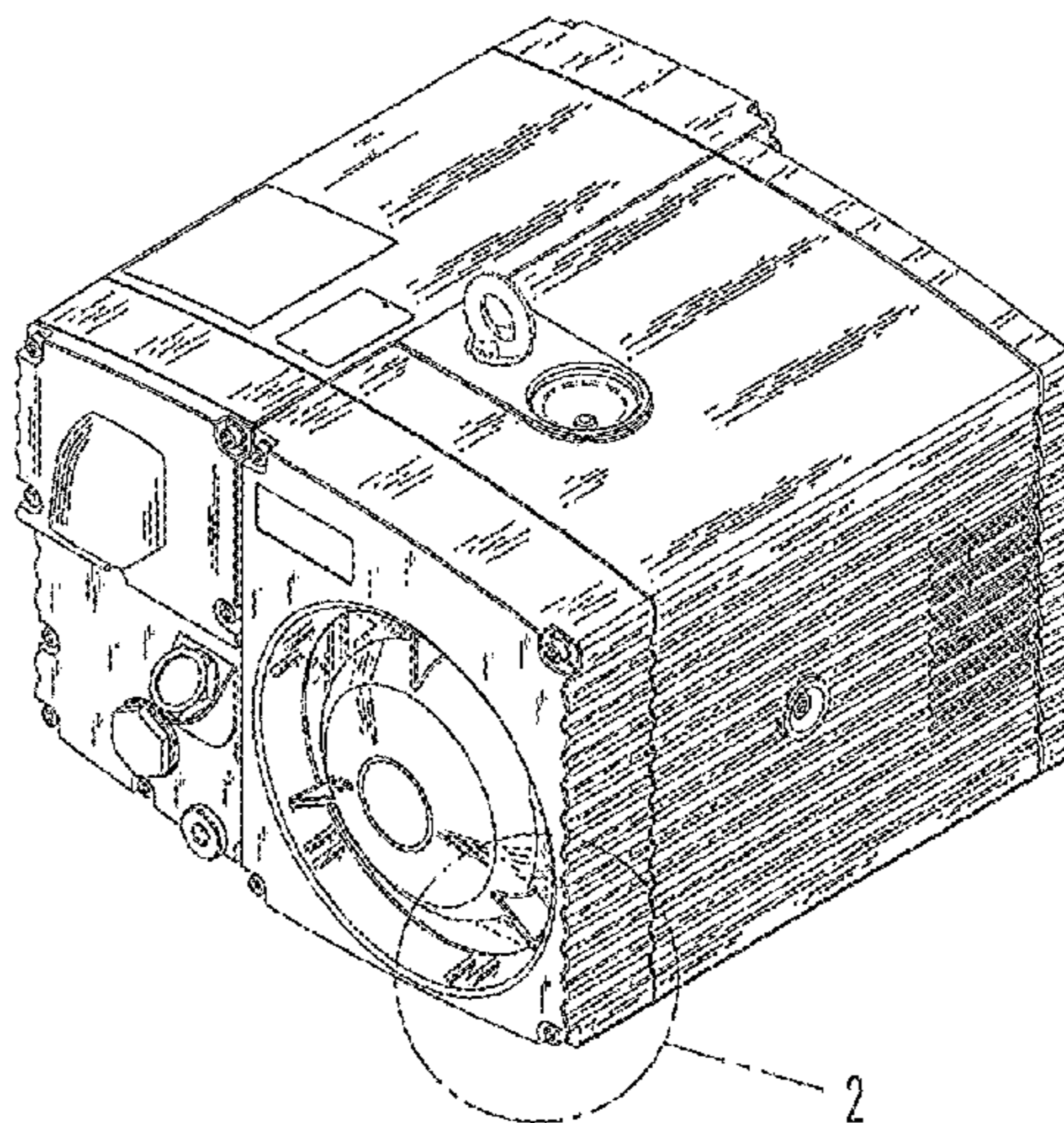
(57) **CLAIM**

The ornamental design for a vacuum pump, as shown and described.

DESCRIPTION

FIG. 1 is a top, front and right-side view of a vacuum pump, showing my new design;
 FIG. 2 is an enlarged view of circle 2 of FIG. 1;
 FIG. 3 is a front view of FIG. 1;
 FIG. 4 is an enlarged view of circle 4 of FIG. 4;
 FIG. 5 is a left side view of FIG. 1;
 FIG. 6 is a rear view of FIG. 1;
 FIG. 7 is a right side view of FIG. 1;
 FIG. 8 is an enlarged view of circle 8 of FIG. 7;
 FIG. 9 is a top view of FIG. 1;
 FIG. 10 is a bottom view of FIG. 1;
 FIG. 11 is a top, right side and front view of a vacuum pump, showing a second embodiment, of my new design;
 FIG. 12 is an enlarged view of circle 12 of FIG. 11;
 FIG. 13 is a front view of FIG. 11;
 FIG. 14 is an enlarged view of circle 14 of FIG. 13;
 FIG. 15 is a left side view of FIG. 11;
 FIG. 16 is a rear view of FIG. 11;
 FIG. 17 is a right side view of FIG. 11;
 FIG. 18 is an enlarged view of circle 18 of FIG. 17;
 FIG. 19 is a top view of FIG. 11; and,
 FIG. 20 is a bottom view of FIG. 11.
 The areas shown in broken lines depict environmental structure only and form no part of the claimed design.

1 Claim, 10 Drawing Sheets



(56)

References Cited

U.S. PATENT DOCUMENTS

D677,283 S *	3/2013	Soja	D15/7
D713,860 S *	9/2014	Pedrollo	D15/7
D733,764 S *	7/2015	Ohser	D15/9
D765,147 S *	8/2016	Schaller	D15/7

* cited by examiner

Fig. 1

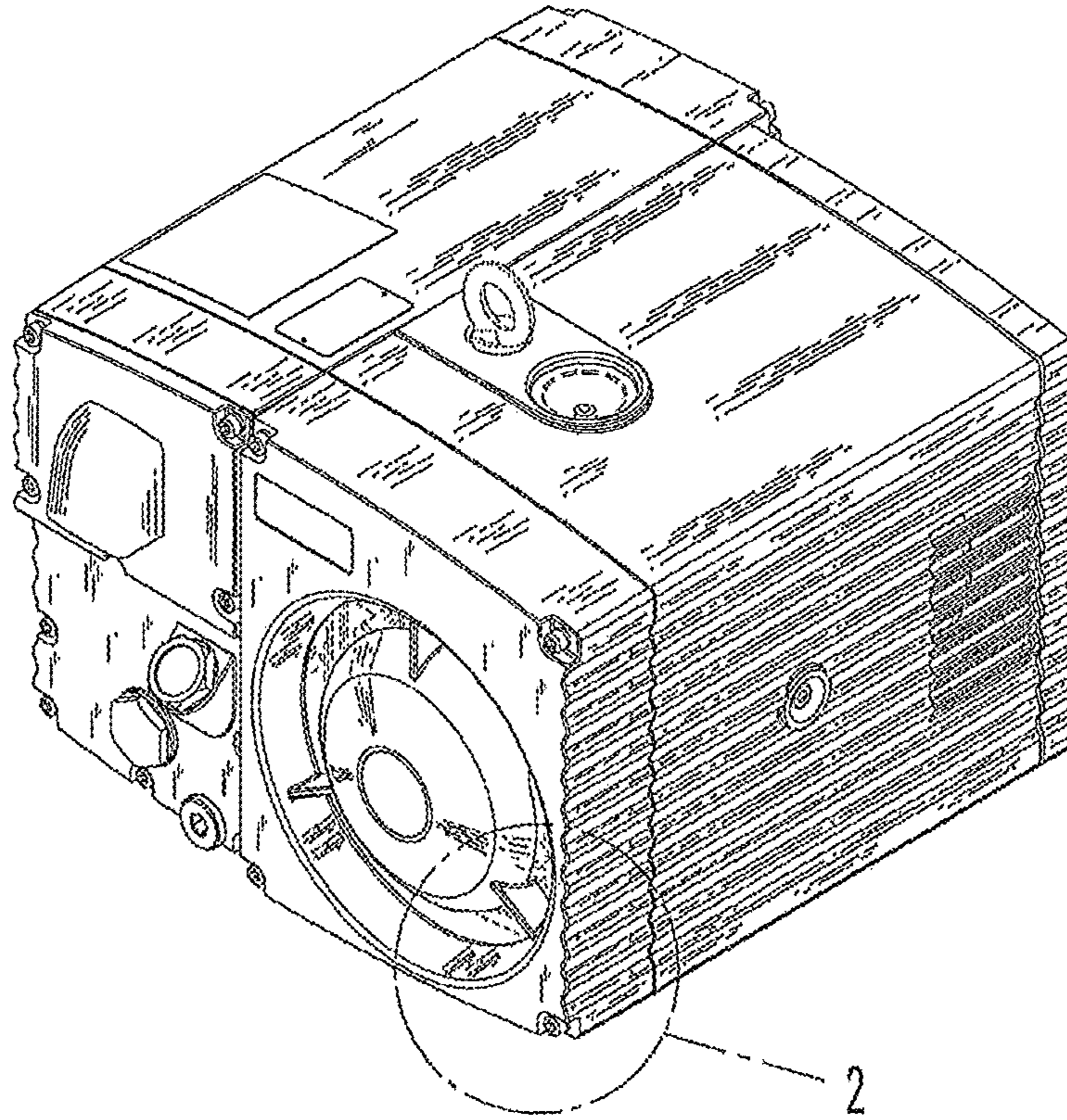


Fig. 2

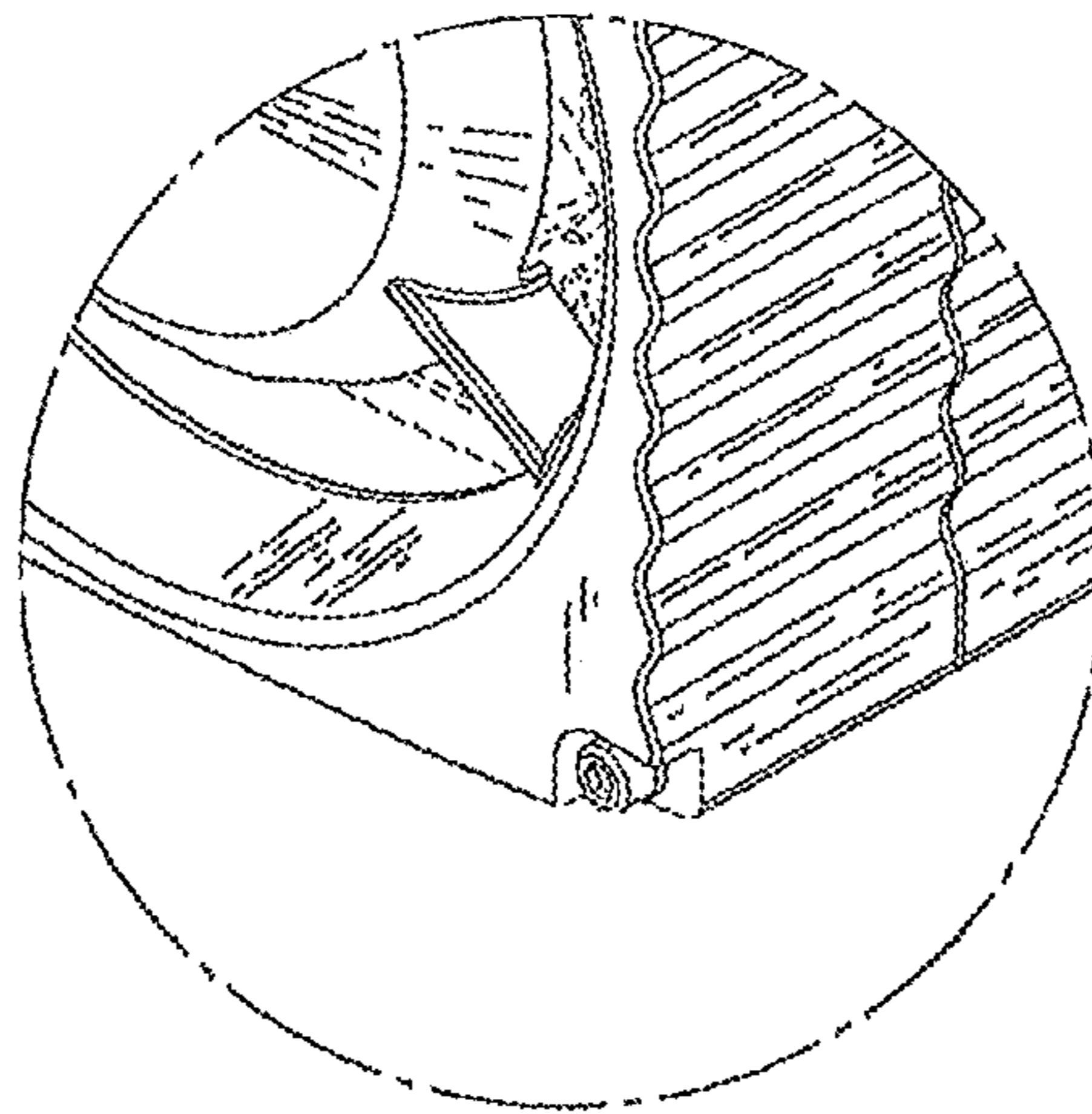


Fig. 3

Fig. 4

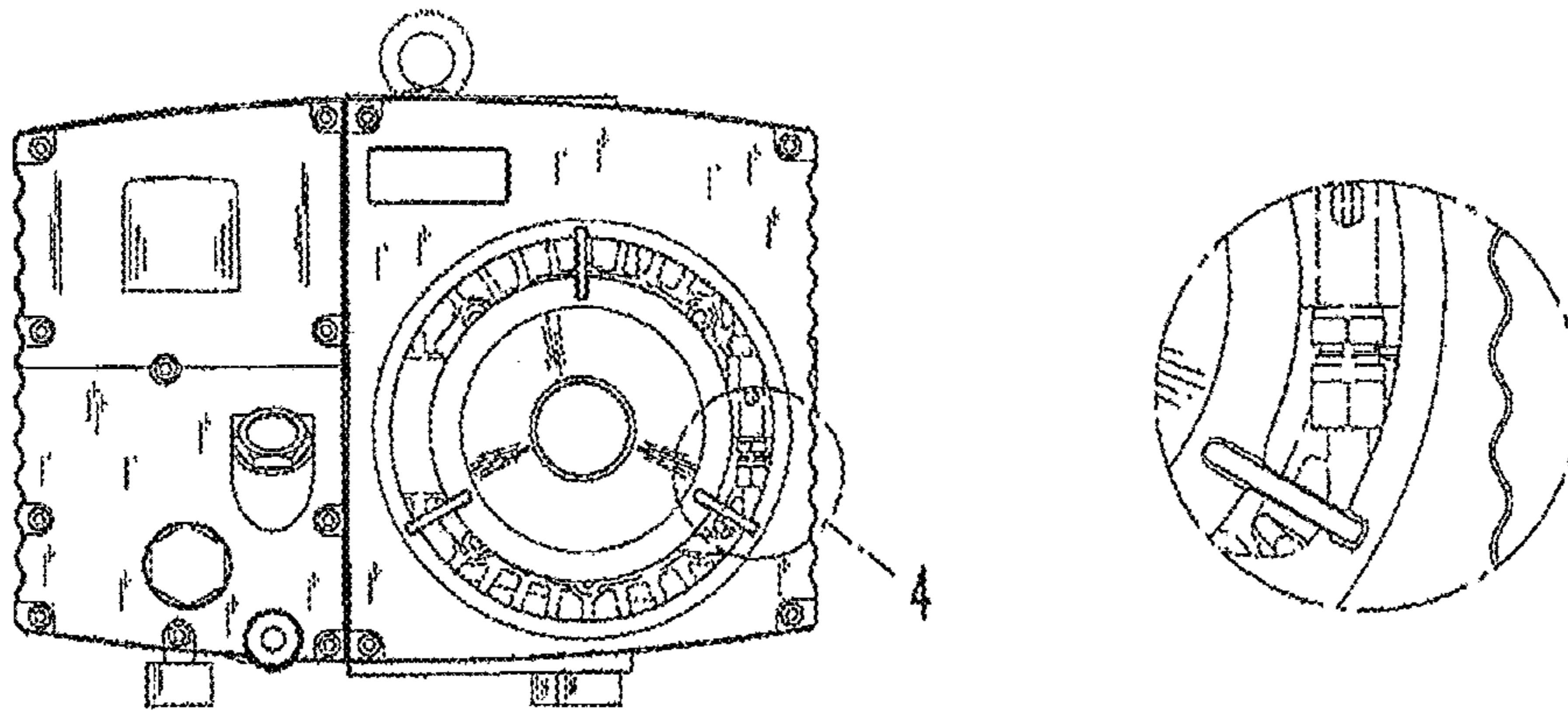


Fig. 5

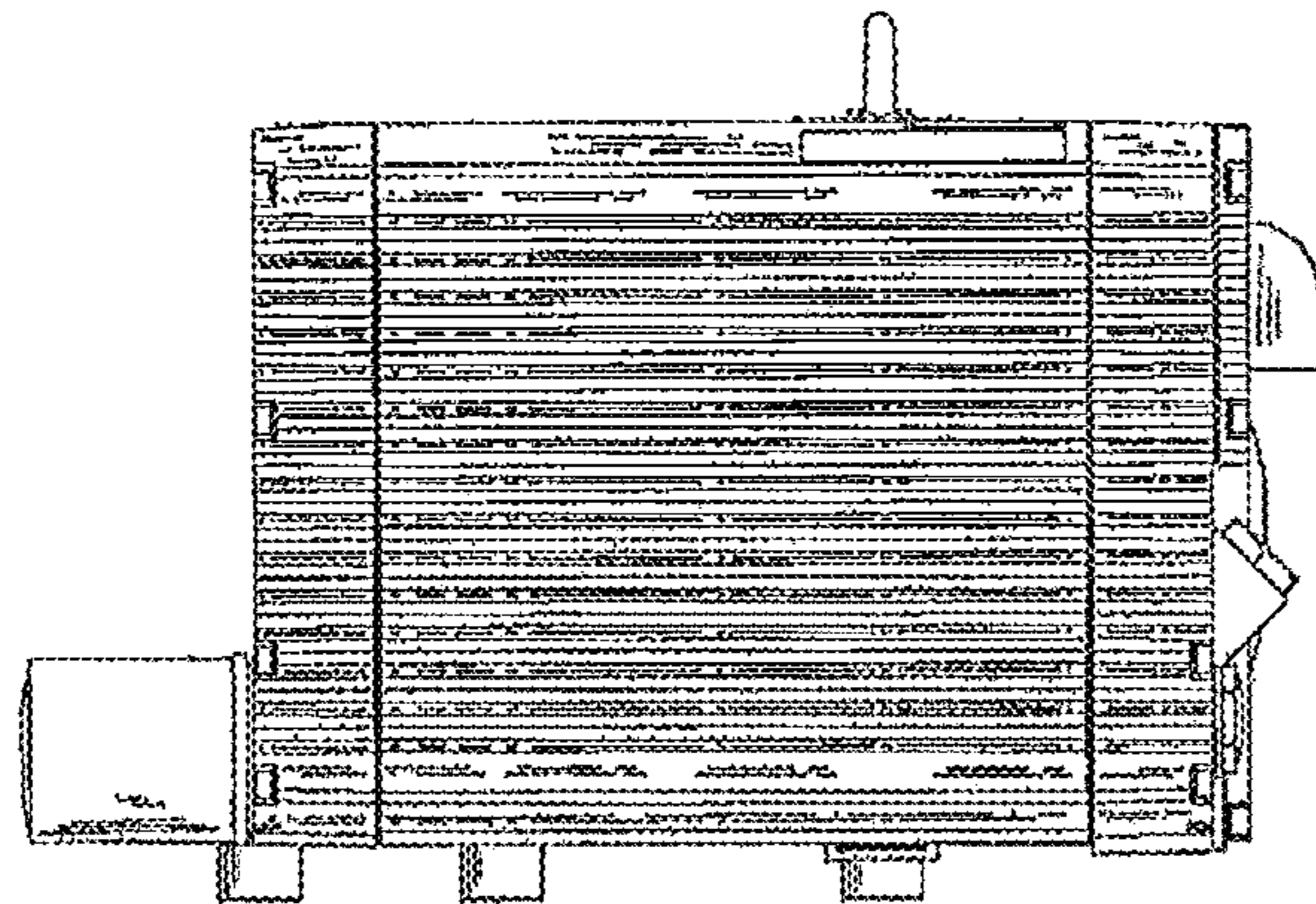


Fig. 6

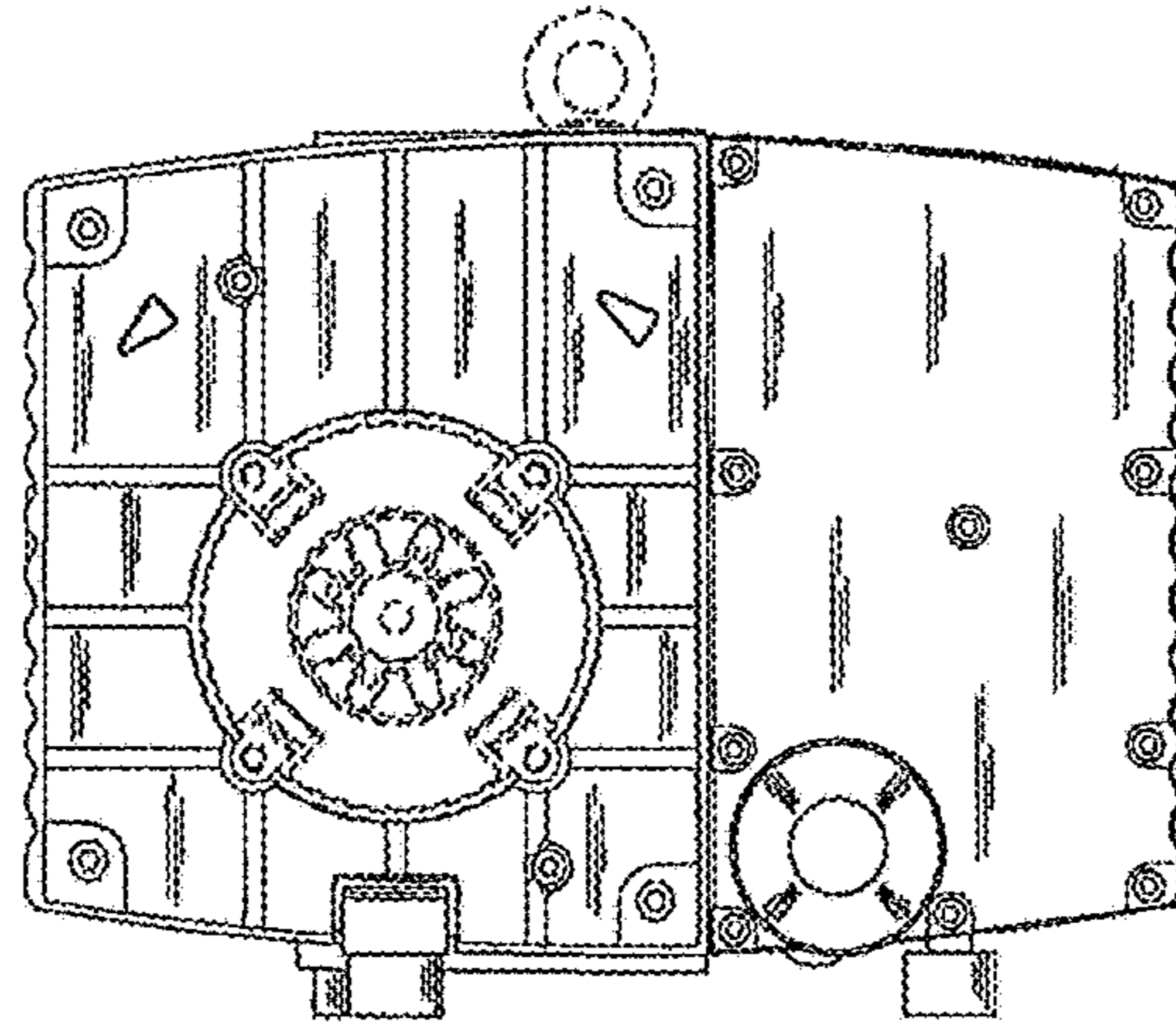


Fig. 7

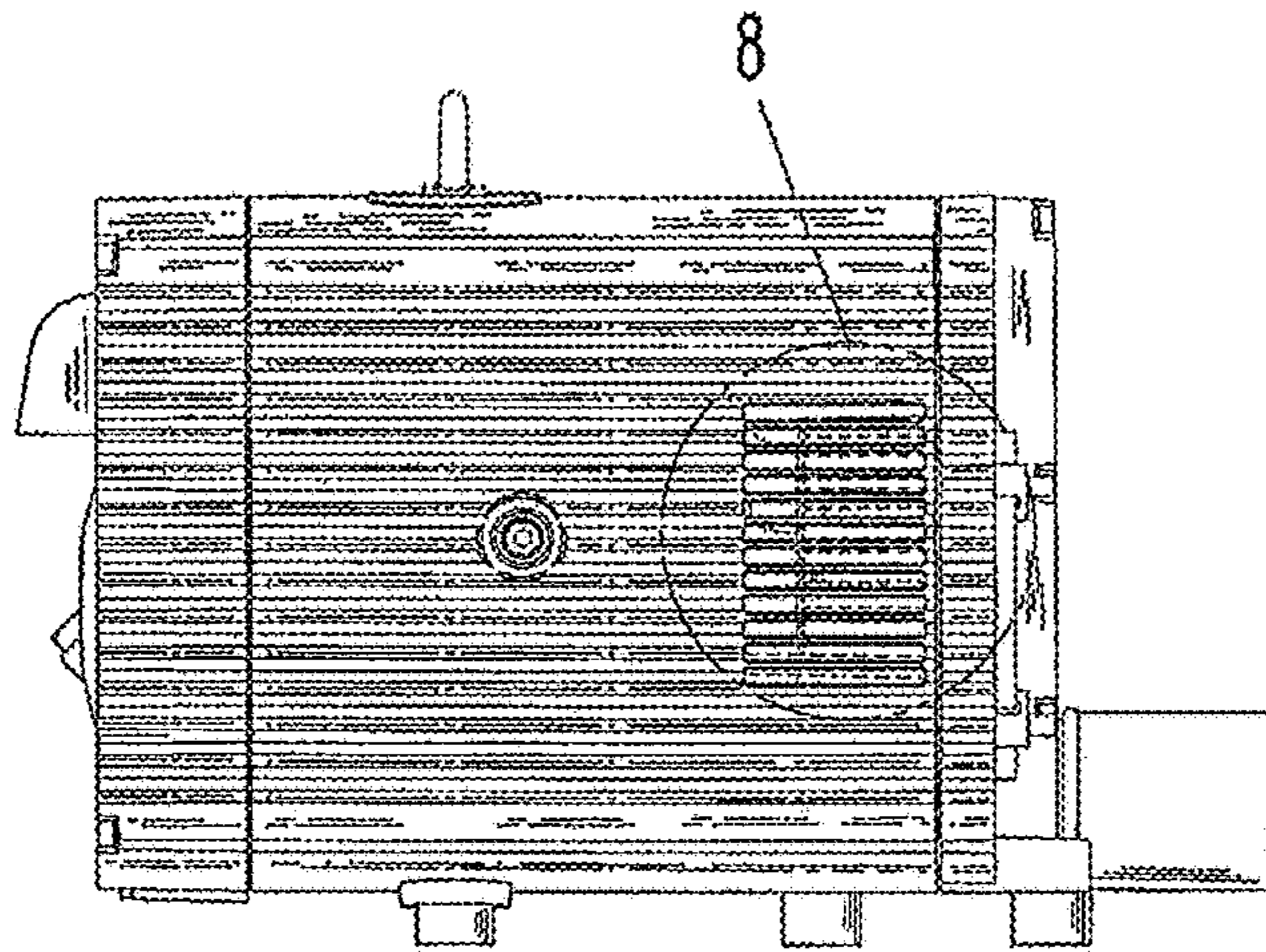


Fig. 8

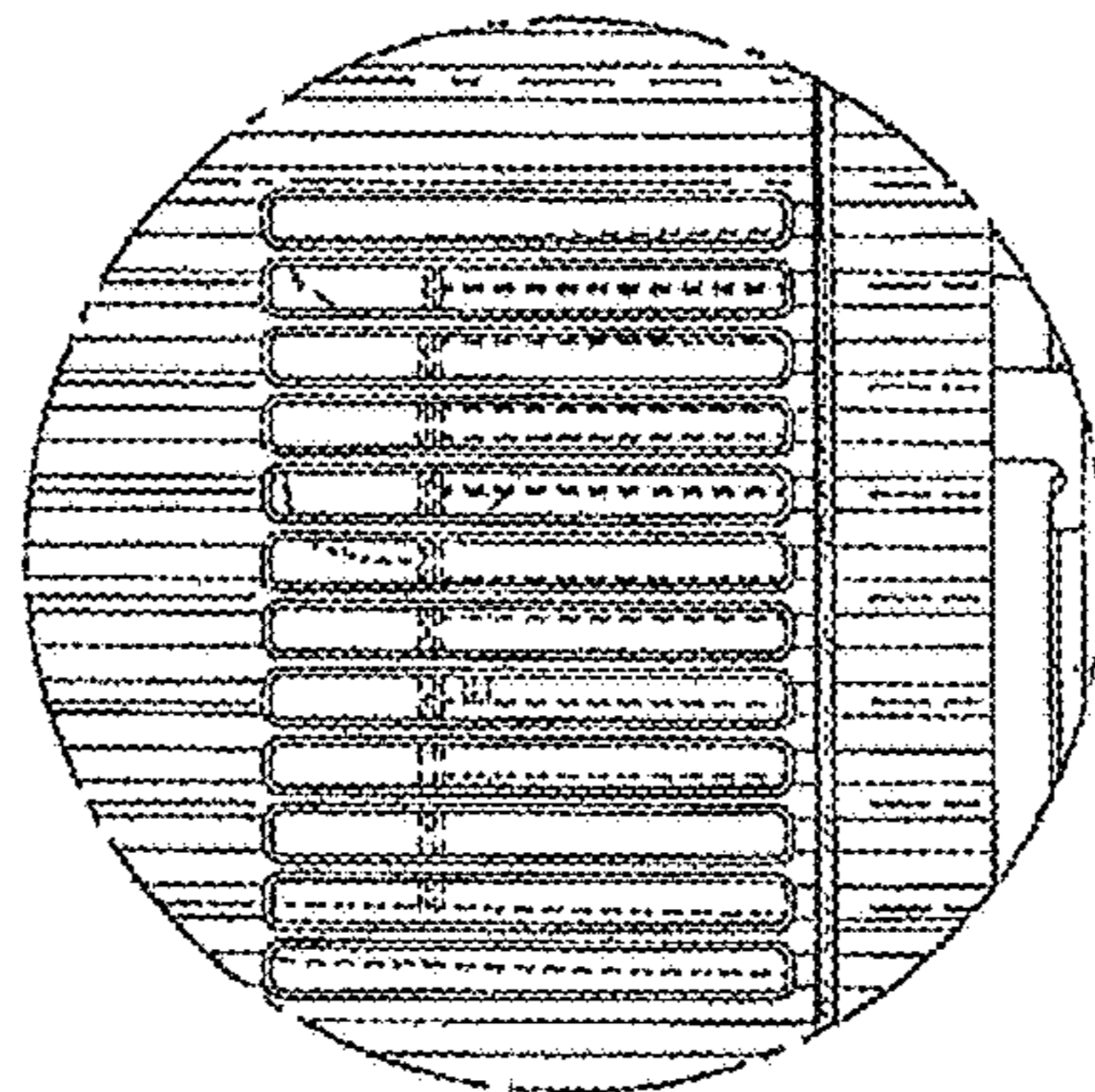


Fig. 9

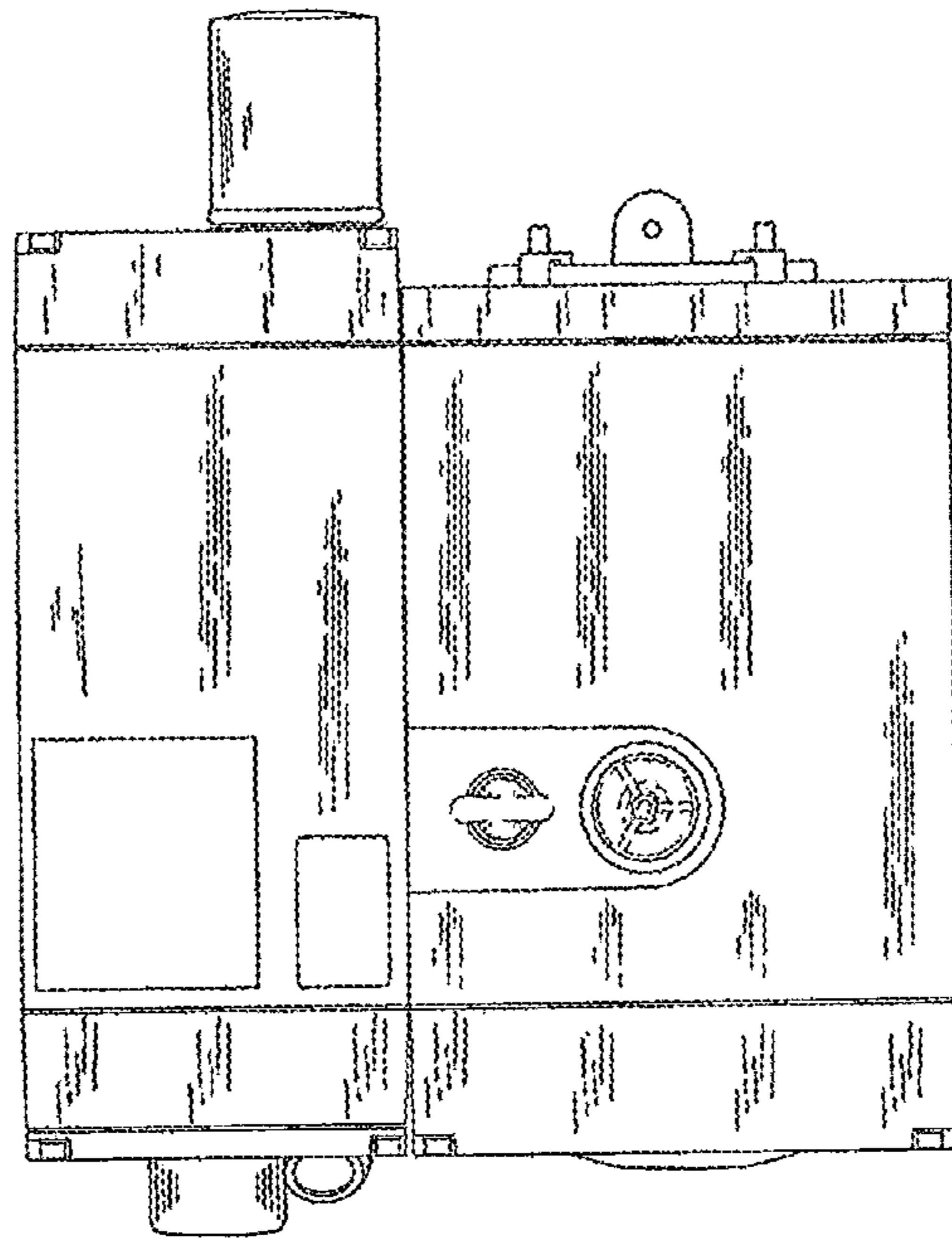


Fig. 10

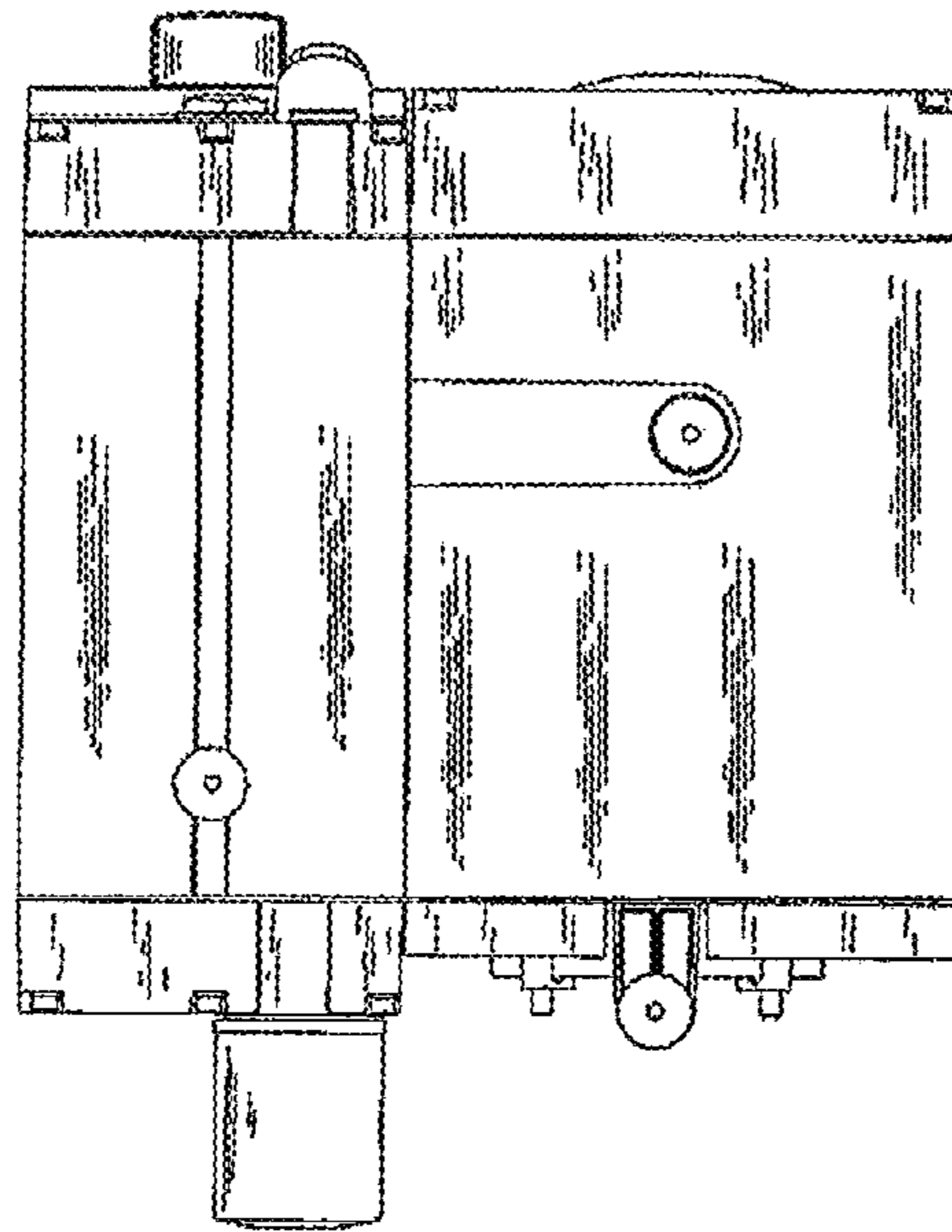


Fig. 11

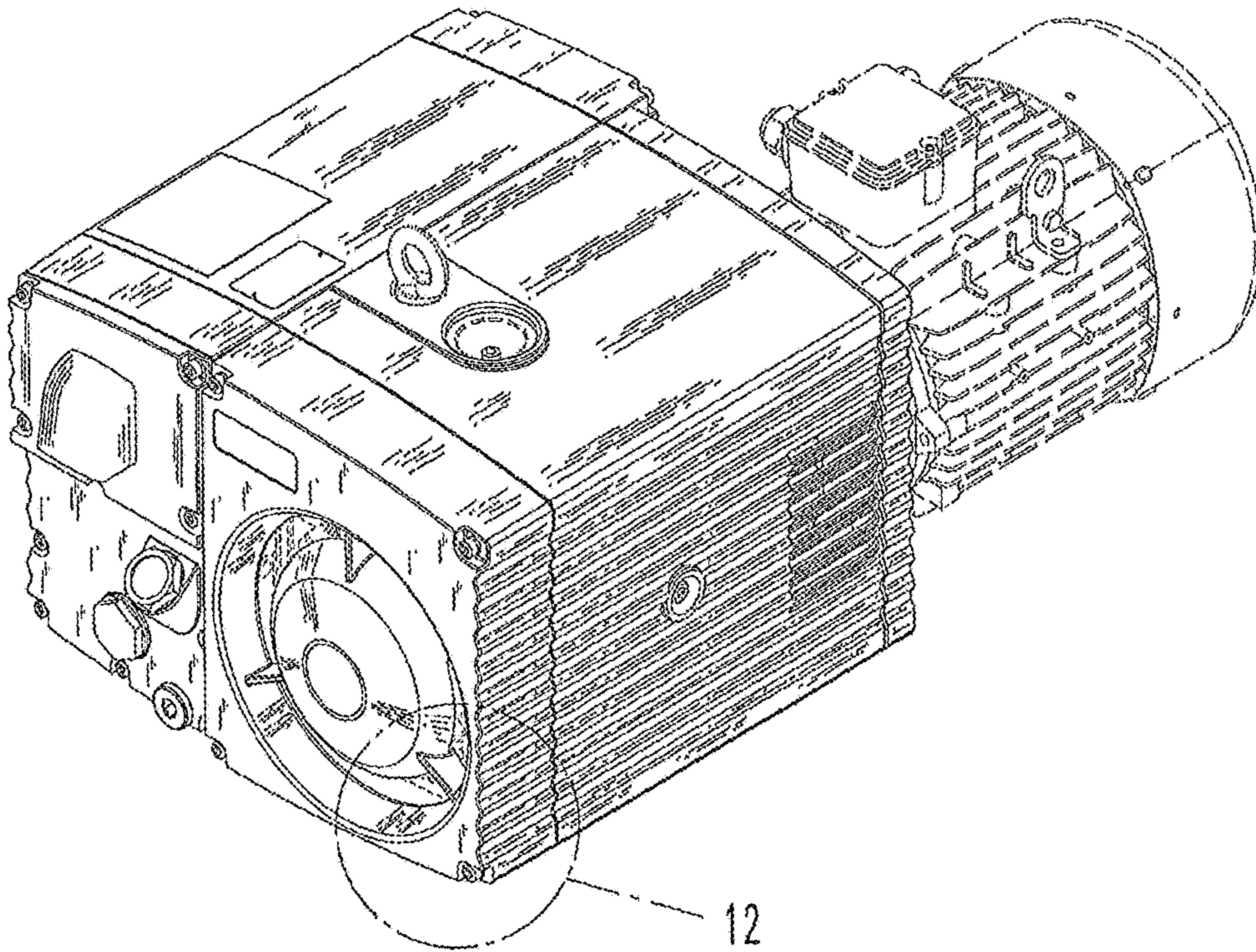


Fig. 12

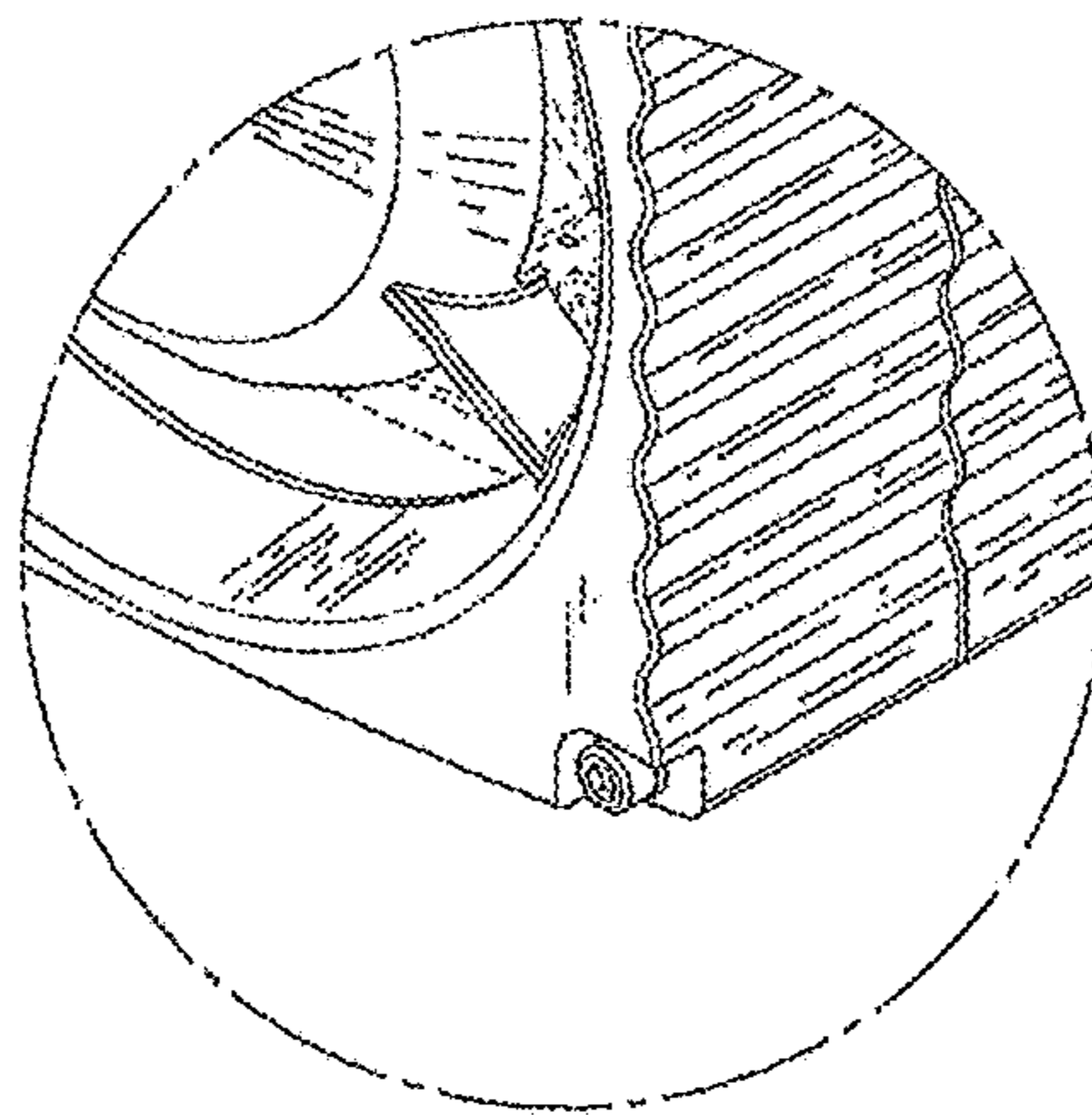


Fig. 13

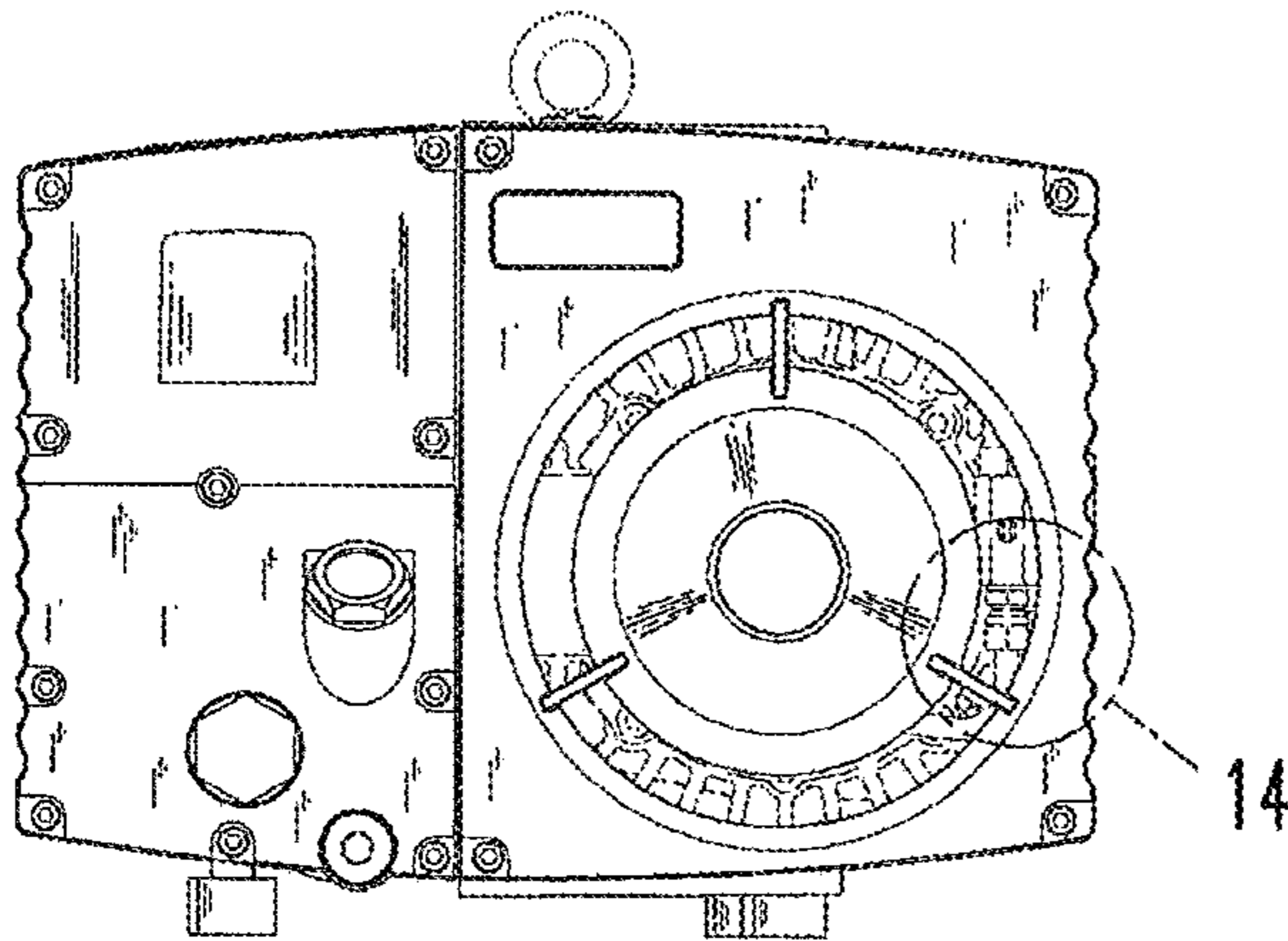


Fig. 14

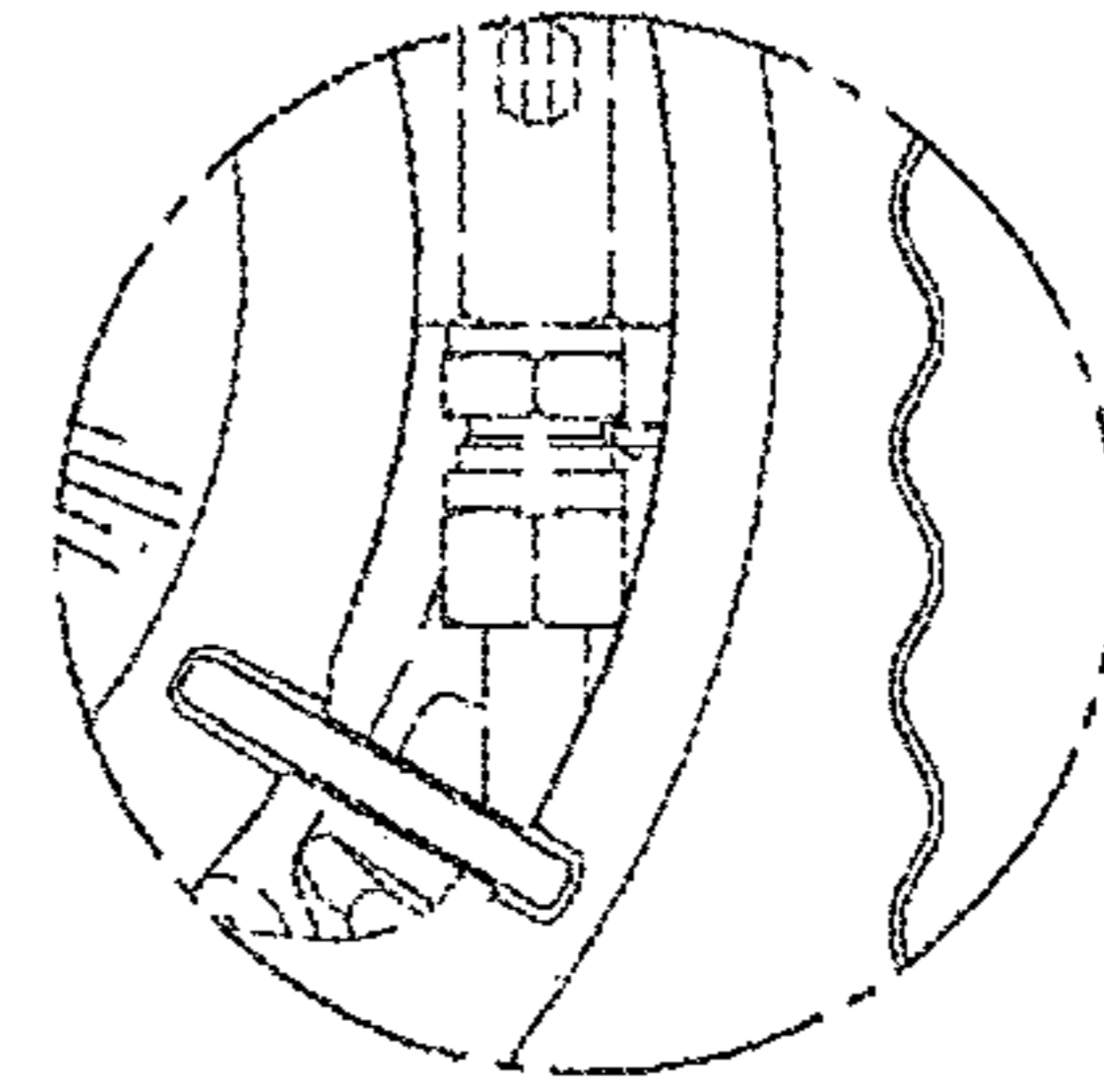


Fig. 15

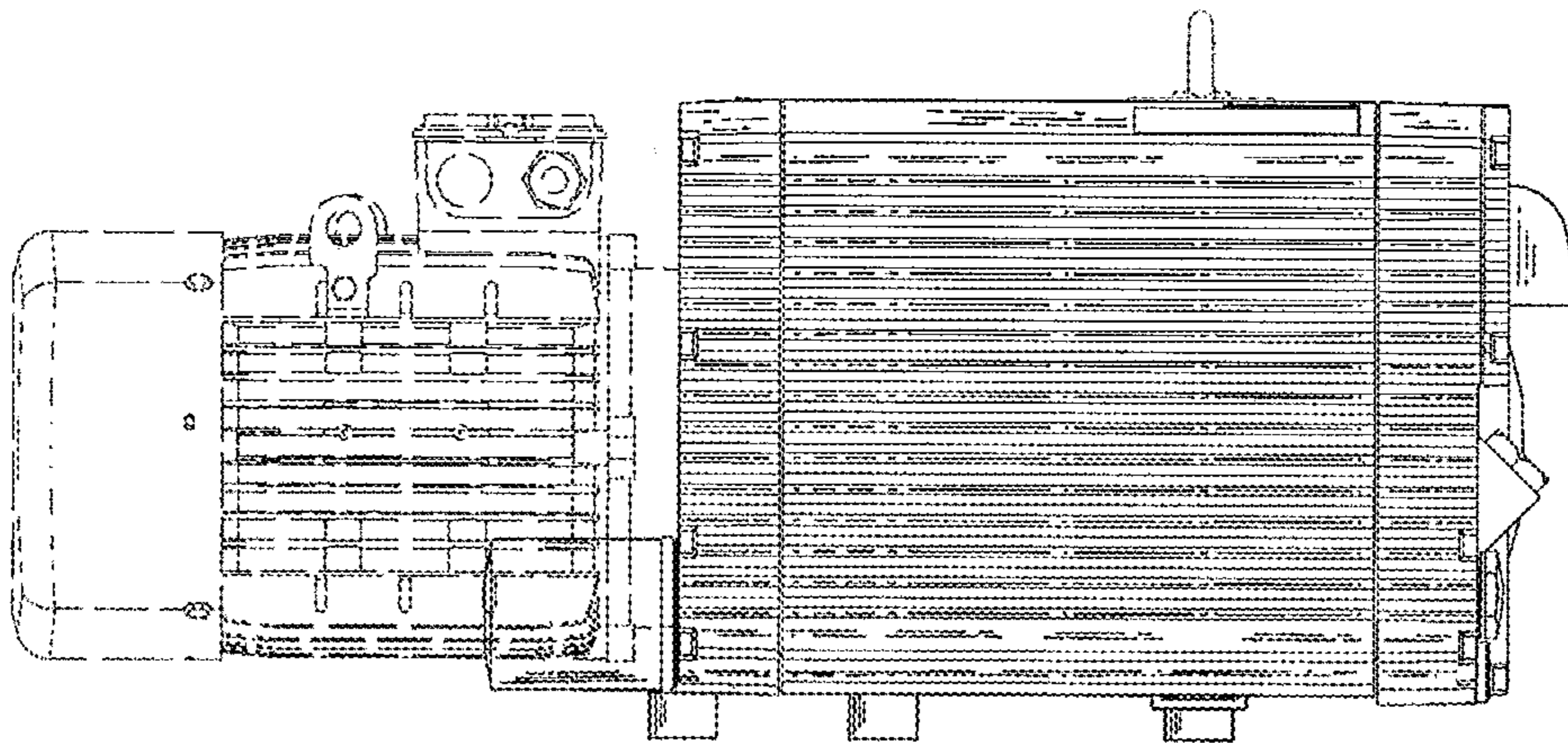


Fig. 16

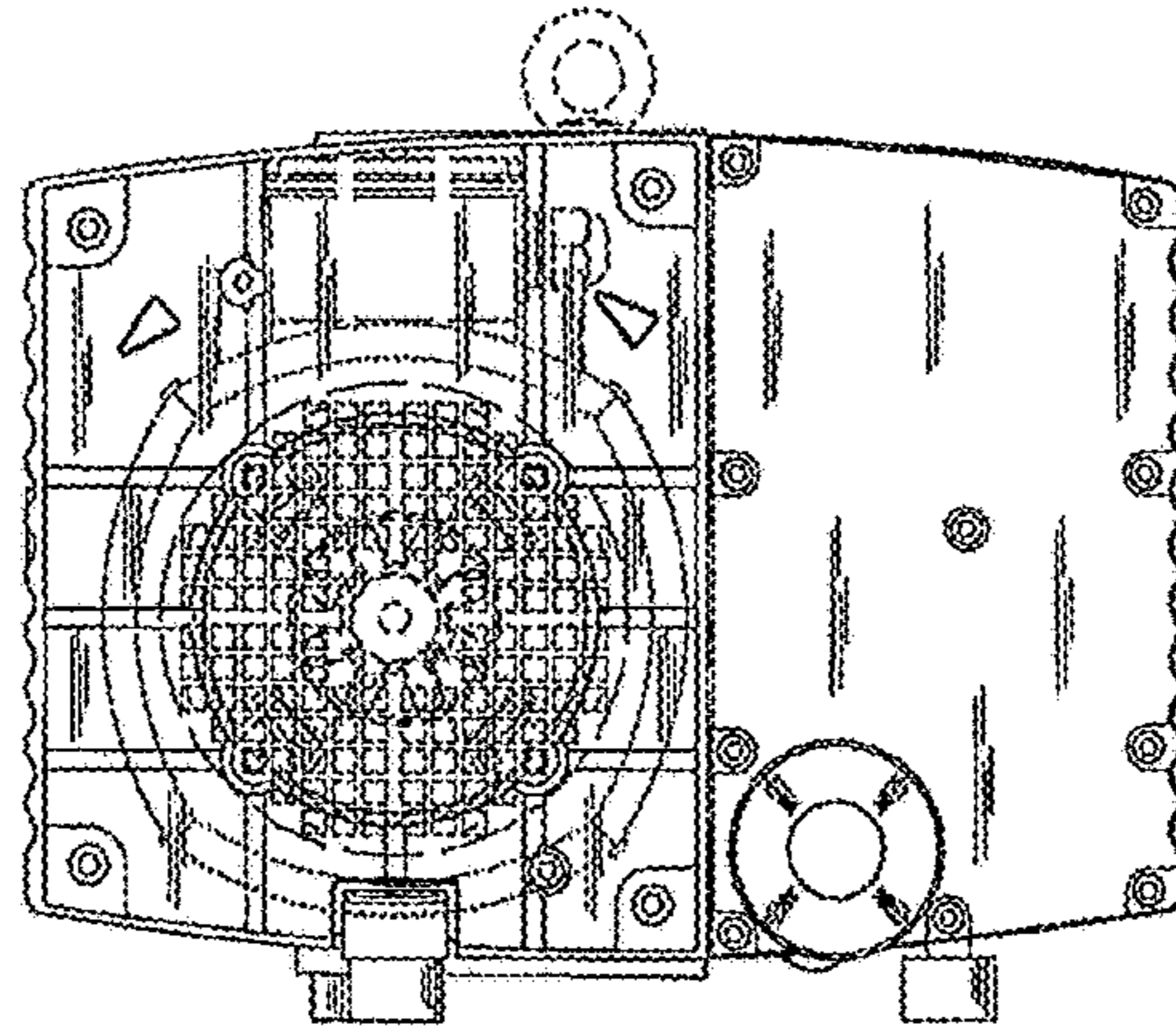


Fig. 17

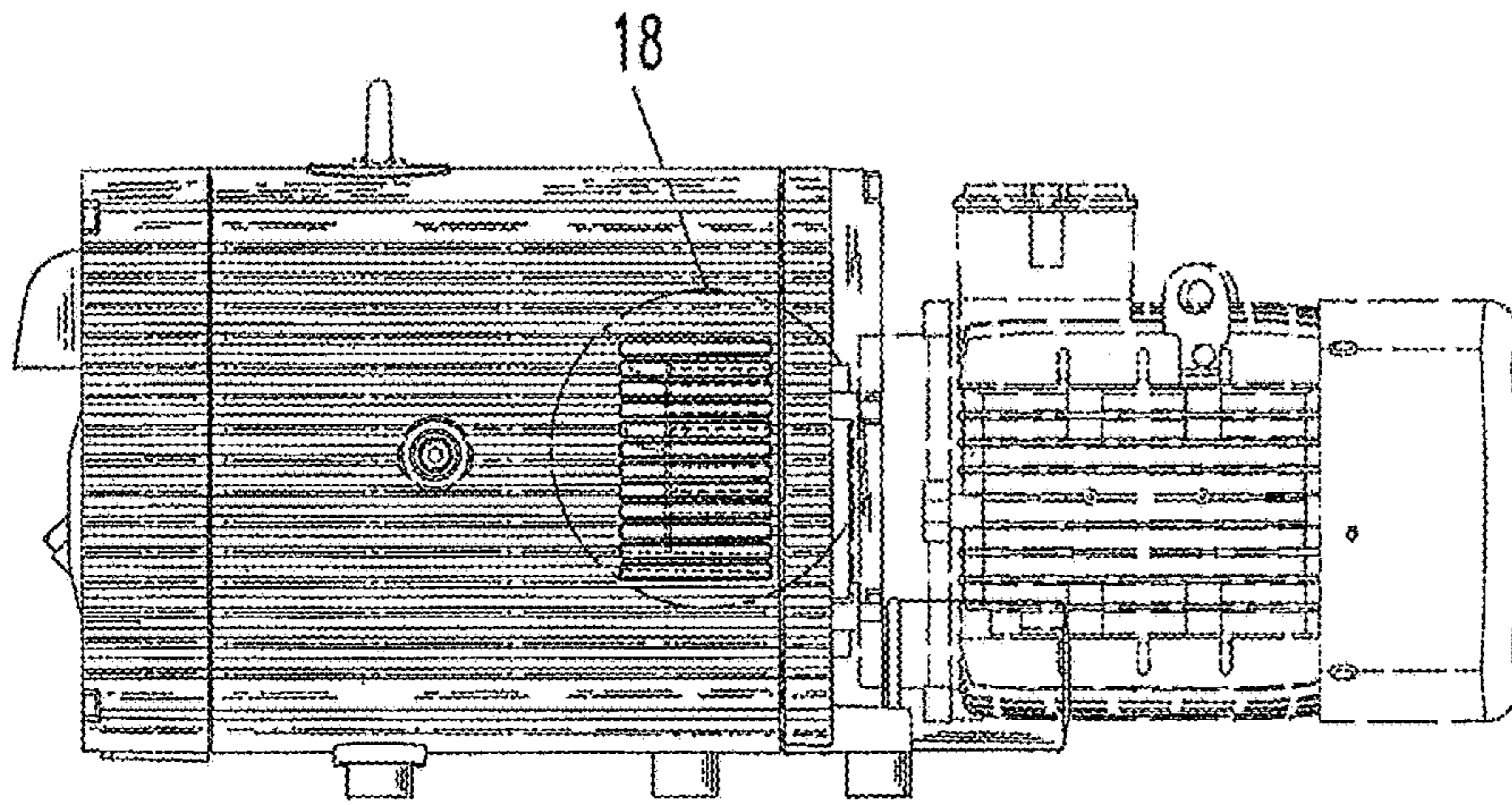


Fig. 18

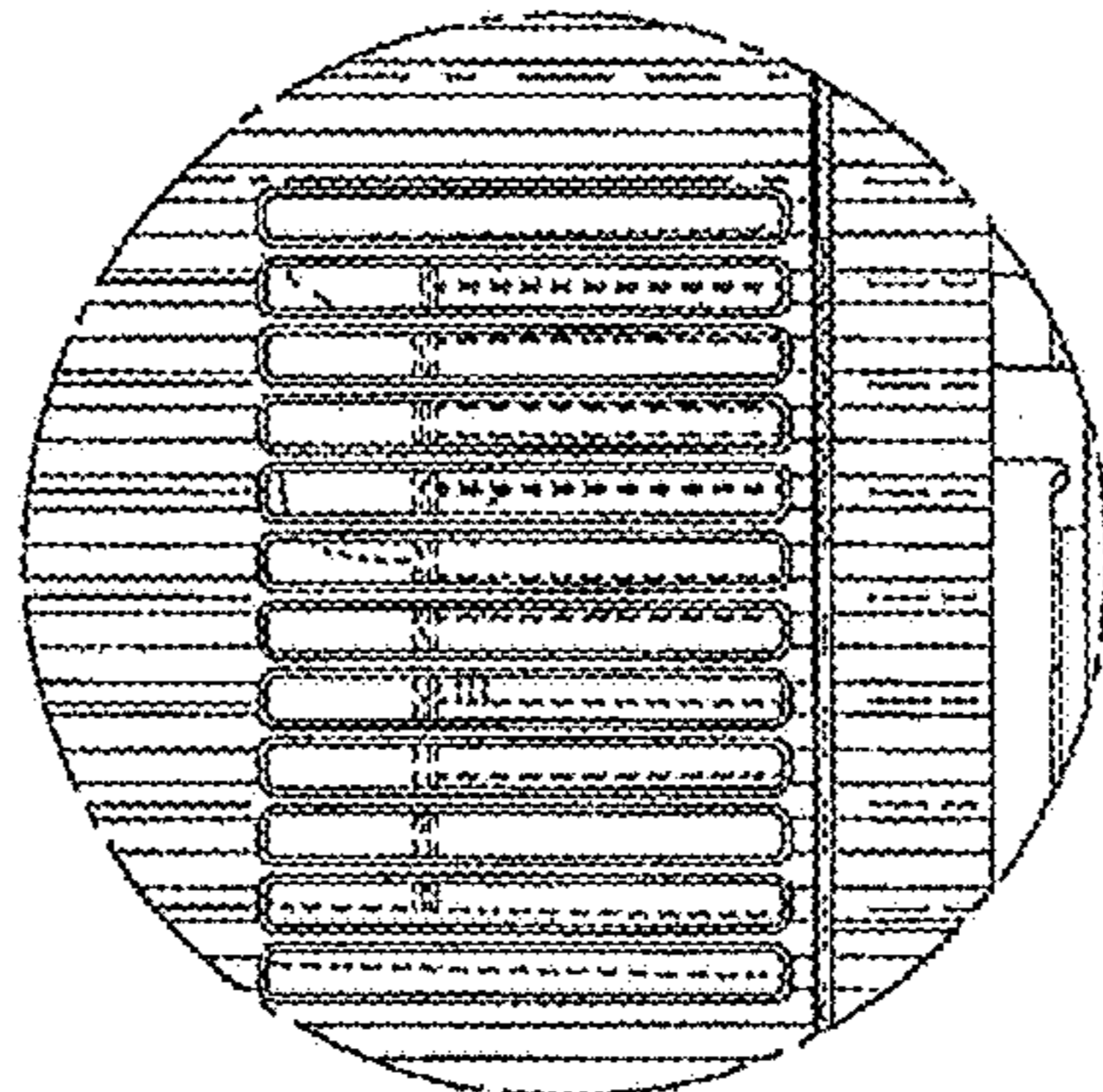


Fig. 19

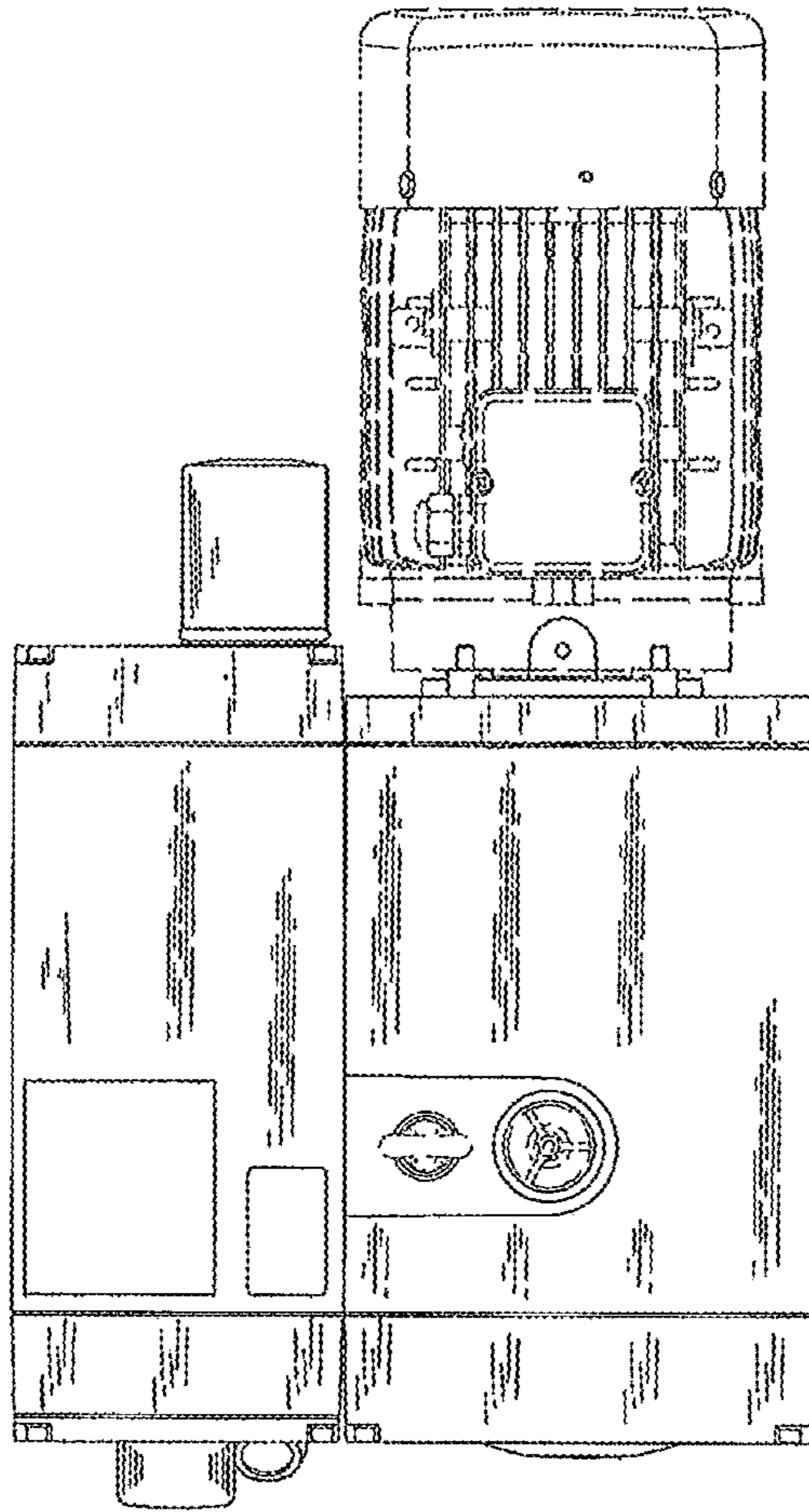


Fig. 20

