



US00D791190S

(12) **United States Design Patent** (10) **Patent No.:** **US D791,190 S**
McCarthy, Jr. et al. (45) **Date of Patent:** **** Jul. 4, 2017**

- (54) **ROCKER ARM ASSEMBLY**
- (71) Applicant: **Eaton Corporation**, Cleveland, OH (US)
- (72) Inventors: **James Edward McCarthy, Jr.**, Kalamazoo, MI (US); **Matthew Vance**, Kalamazoo, MI (US); **Guruprasath Alagarsamy**, Tamil Nadu (IN)
- (73) Assignee: **Eaton Corporation**, Cleveland, OH (US)

- 6,691,657 B2 2/2004 Hendriksma et al.
6,769,387 B2 8/2004 Hayman et al.
6,901,894 B2 6/2005 Haas et al.
6,925,978 B1 8/2005 Gerzseny et al.
6,948,466 B2 9/2005 Haas et al.
6,966,291 B1 11/2005 Fischer et al.
6,976,461 B2 12/2005 Haas
6,997,152 B2 2/2006 Harris
7,093,572 B2 8/2006 Hendriksma et al.
7,174,869 B2 2/2007 Proschko et al.
7,240,652 B2 7/2007 Roerig et al.
7,278,384 B2 10/2007 Fernandez et al.
7,305,951 B2 12/2007 Fernandez et al.

(Continued)

(**) Term: **15 Years**

Primary Examiner — T. Chase Nelson

Assistant Examiner — Ania Aman

(21) Appl. No.: **29/532,970**

(74) *Attorney, Agent, or Firm* — Remarck Law Group PLC

(22) Filed: **Jul. 13, 2015**

(51) **LOC (10) Cl.** **15-01**

(57) **CLAIM**

(52) **U.S. Cl.**
USPC **D15/5**

The ornamental design for a rocker arm assembly, as shown and described.

(58) **Field of Classification Search**
USPC D15/1-5
CPC F01L 1/24; F01L 1/18; F01L 1/053; F01L 1/185; F01L 2001/186; F01L 2001/187; F01L 2001/188; F01L 1/181; F01L 1/182
See application file for complete search history.

DESCRIPTION

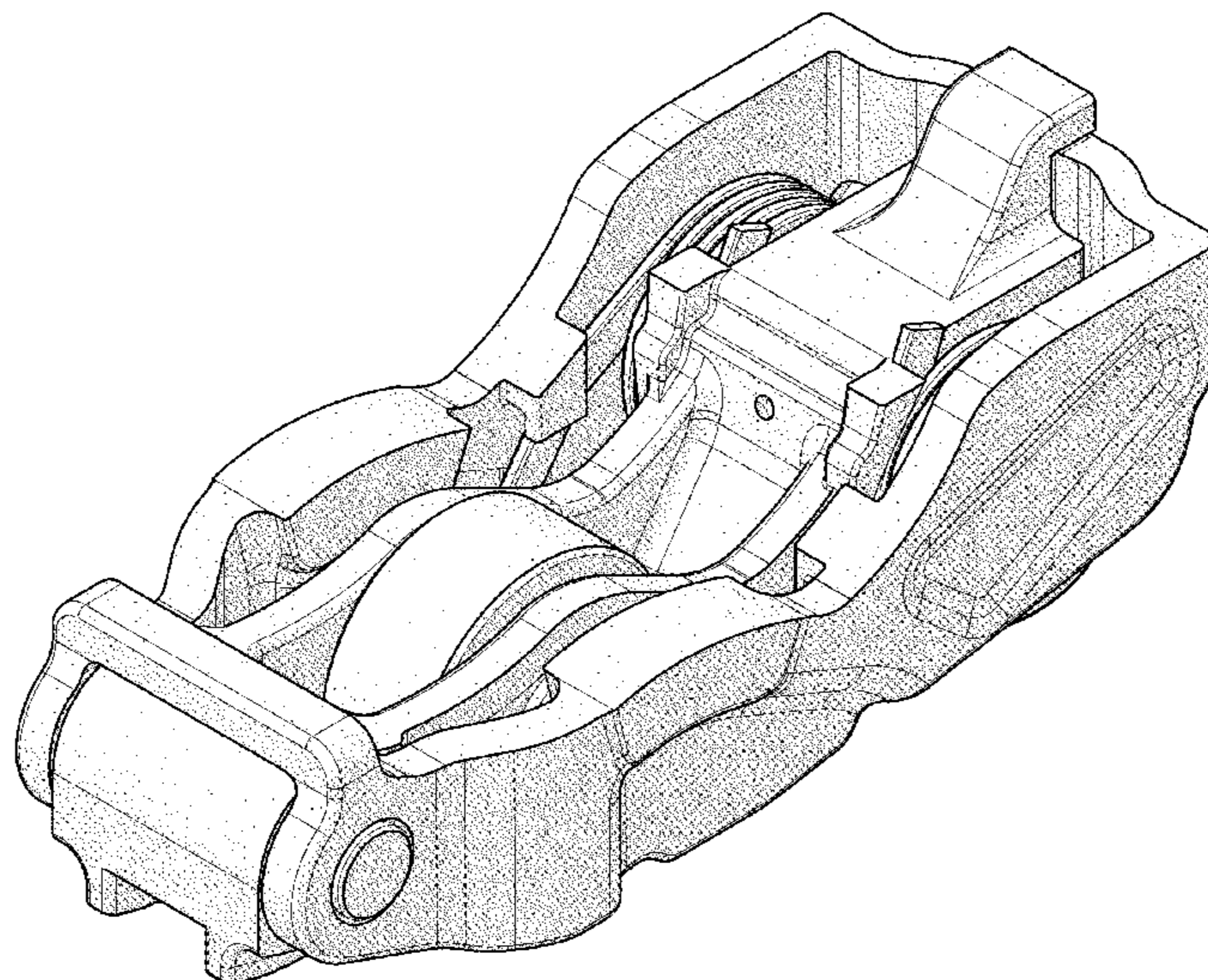
(56) **References Cited**

U.S. PATENT DOCUMENTS

- 5,452,694 A 9/1995 Hara
5,544,626 A 8/1996 Diggs et al.
5,584,267 A 12/1996 Muir
6,314,926 B1 11/2001 Meneely et al.
6,321,705 B1 11/2001 Fernandez et al.
6,439,179 B2 8/2002 Hendriksma et al.
6,467,443 B1 10/2002 Tsuruta et al.
6,532,920 B1 3/2003 Sweetnam et al.
6,615,782 B1 9/2003 Hendriksma et al.
6,640,759 B1 11/2003 Hendriksma
6,668,775 B2 12/2003 Harris
6,668,779 B2 12/2003 Hendriksma et al.

FIG. 1 is a perspective view of a rocker arm assembly showing the new design.
FIG. 2 is a top view of the rocker arm assembly of FIG. 1.
FIG. 3 is a bottom view of the rocker arm assembly of FIG. 1.
FIG. 4 is a first side view of the rocker arm assembly of FIG. 1.
FIG. 5 is a second side view of the rocker arm assembly of FIG. 1.
FIG. 6 is a first end view of the rocker arm assembly of FIG. 1; and,
FIG. 7 is a second end view of the rocker arm assembly of FIG. 1.
The broken line showing portions of the rocker arm assembly form no part of the claimed design.

1 Claim, 6 Drawing Sheets



(56)

References Cited

U.S. PATENT DOCUMENTS

7,318,402 B2	1/2008	Harman et al.	8,726,863 B2	5/2014	Meistrick et al.
7,328,675 B2	2/2008	Seitz et al.	8,733,311 B2	5/2014	Manther
7,377,247 B2	5/2008	Seitz	8,752,513 B2	6/2014	Zurface et al.
7,444,967 B2	11/2008	Kido et al.	8,783,219 B2	7/2014	Gunnel et al.
7,484,487 B2	2/2009	Zurface et al.	8,807,101 B2	8/2014	Choi et al.
7,503,300 B2	3/2009	Seitz	8,915,225 B2	12/2014	Zurface et al.
7,533,642 B2	5/2009	Proschko et al.	8,939,118 B2	1/2015	Stoody
7,546,822 B2	6/2009	Murphy et al.	8,955,481 B2	2/2015	Manther
7,565,887 B2	7/2009	Tsuruta et al.	D750,670 S *	3/2016	McCarthy, Jr. D15/5
7,603,972 B2	10/2009	Han et al.	2005/0188930 A1	9/2005	Best
7,661,400 B2	2/2010	Seitz et al.	2007/0089709 A1	4/2007	Hartmann et al.
7,673,606 B2	3/2010	Ng et al.	2007/0113809 A1 *	5/2007	Harman F01L 1/185
7,677,213 B2	3/2010	Deierlein			123/90.16
7,712,443 B2	5/2010	Gemein	2007/0186890 A1 *	8/2007	Zurface F01L 1/185
7,721,694 B2	5/2010	Fernandez et al.			123/90.44
7,798,112 B2	9/2010	Zurface et al.	2007/0193543 A1	8/2007	Best
7,798,113 B2	9/2010	Fischer et al.	2008/0245330 A1	10/2008	Deierlein et al.
7,882,814 B2	2/2011	Spath et al.	2008/0283003 A1	11/2008	Hendriksma
7,909,007 B2	3/2011	Manther et al.	2009/0078225 A1	3/2009	Hendriksma
7,934,477 B2	5/2011	Elnick et al.	2009/0217895 A1 *	9/2009	Spath F01L 1/185
8,006,657 B2	8/2011	Riley et al.			123/90.16
8,056,523 B2	11/2011	Ha et al.	2011/0265750 A1	11/2011	Becker et al.
8,146,552 B2	4/2012	Seitz et al.	2013/0000582 A1	1/2013	Church
8,151,763 B2	4/2012	Meistrick et al.	2013/0146008 A1	6/2013	Stoody
8,215,275 B2	7/2012	Church	2013/0220250 A1	8/2013	Gunnel et al.
8,251,032 B2	8/2012	Manther	2013/0233265 A1	9/2013	Zurface et al.
8,267,059 B2	9/2012	Manther et al.	2013/0284135 A1	10/2013	Manther et al.
8,297,243 B2	10/2012	Kang	2013/0284136 A1	10/2013	Manther et al.
8,312,851 B2	11/2012	Heinemann	2013/0284137 A1	10/2013	Manther et al.
8,393,308 B2	3/2013	Kang et al.	2013/0306013 A1 *	11/2013	Zurface F01L 1/18
8,434,440 B2	5/2013	Manther et al.			123/90.16
8,474,425 B2	7/2013	Kirbach	2013/0312506 A1 *	11/2013	Nielsen F01L 1/185
8,479,694 B2	7/2013	Manther et al.			73/114.79
8,505,509 B2	8/2013	Ha et al.	2014/0041608 A1	2/2014	Zurface
8,528,508 B2	9/2013	Meistrick et al.	2014/0116366 A1	5/2014	Harman
8,555,835 B2	10/2013	Krause	2014/0150745 A1	6/2014	Church
8,607,753 B2	12/2013	Krause et al.	2014/0190431 A1	7/2014	McCarthy
8,627,796 B2	1/2014	Harman	2014/0209048 A1	7/2014	Manther et al.
8,635,980 B2	1/2014	Church	2014/0290608 A1	10/2014	Radulescu
8,677,958 B2	3/2014	Becker et al.	2016/0138435 A1 *	5/2016	Zurface F01L 1/18
8,726,862 B2	5/2014	Zurface et al.			123/90.16
			2016/0265394 A1 *	9/2016	Brune F01L 1/185

* cited by examiner

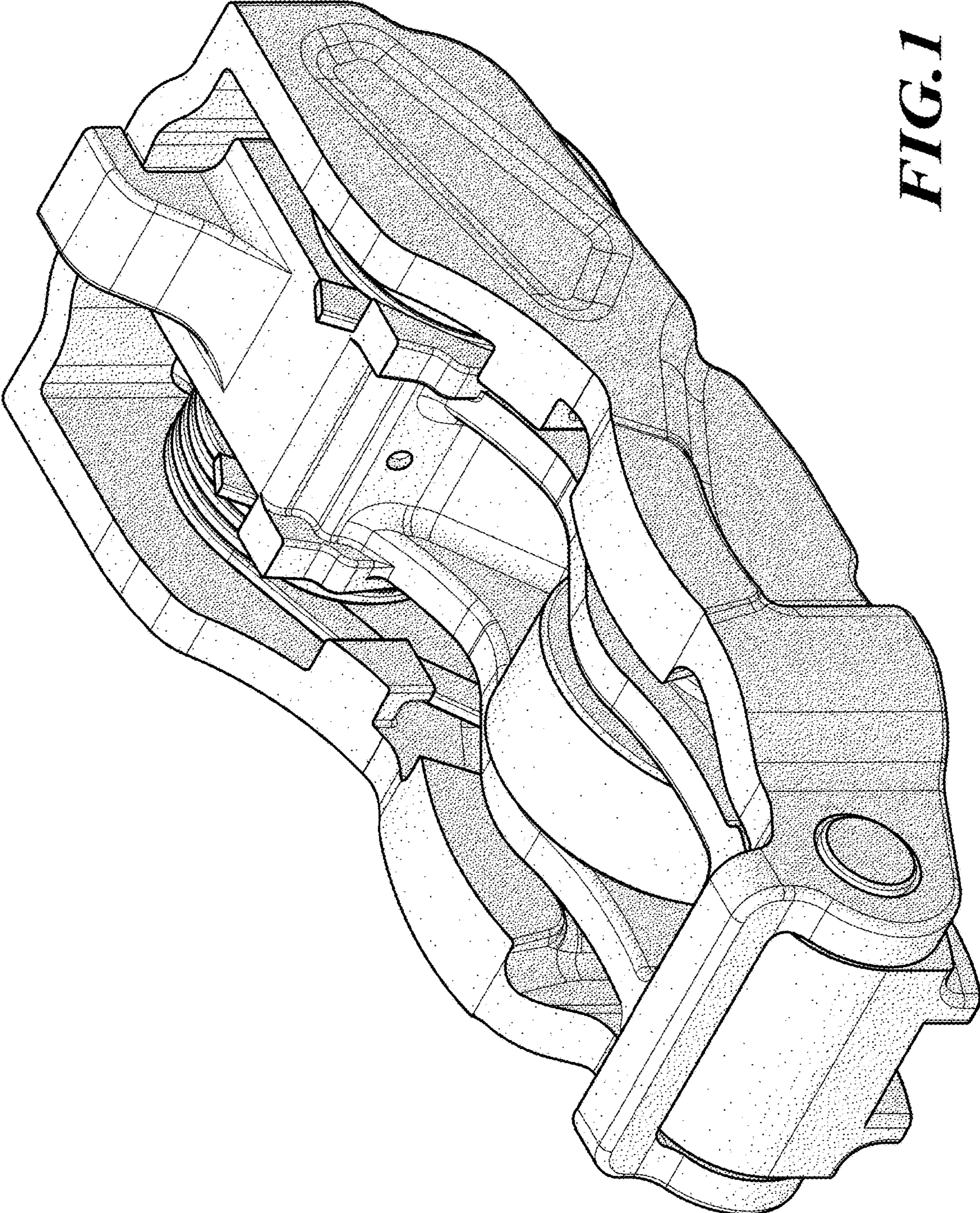


FIG. 1

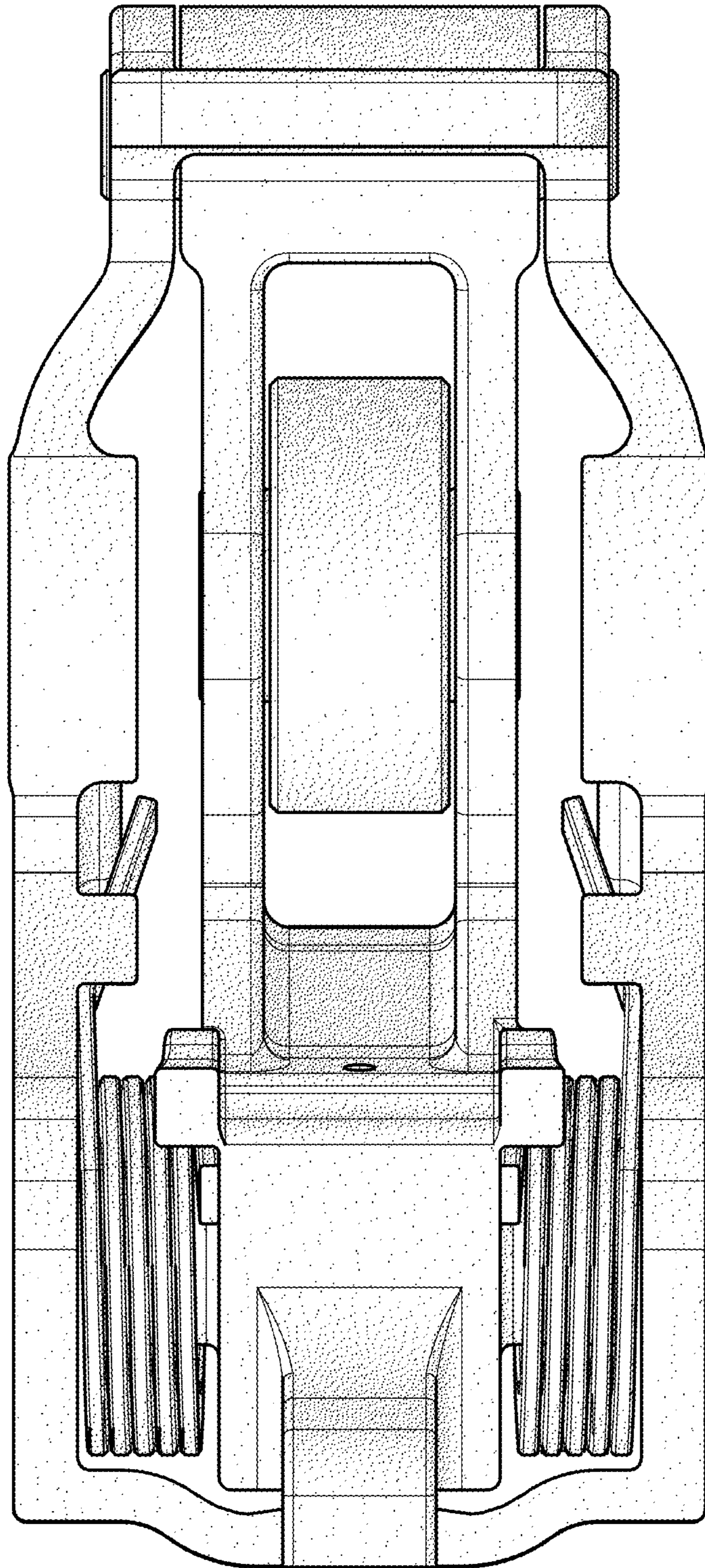


FIG. 2

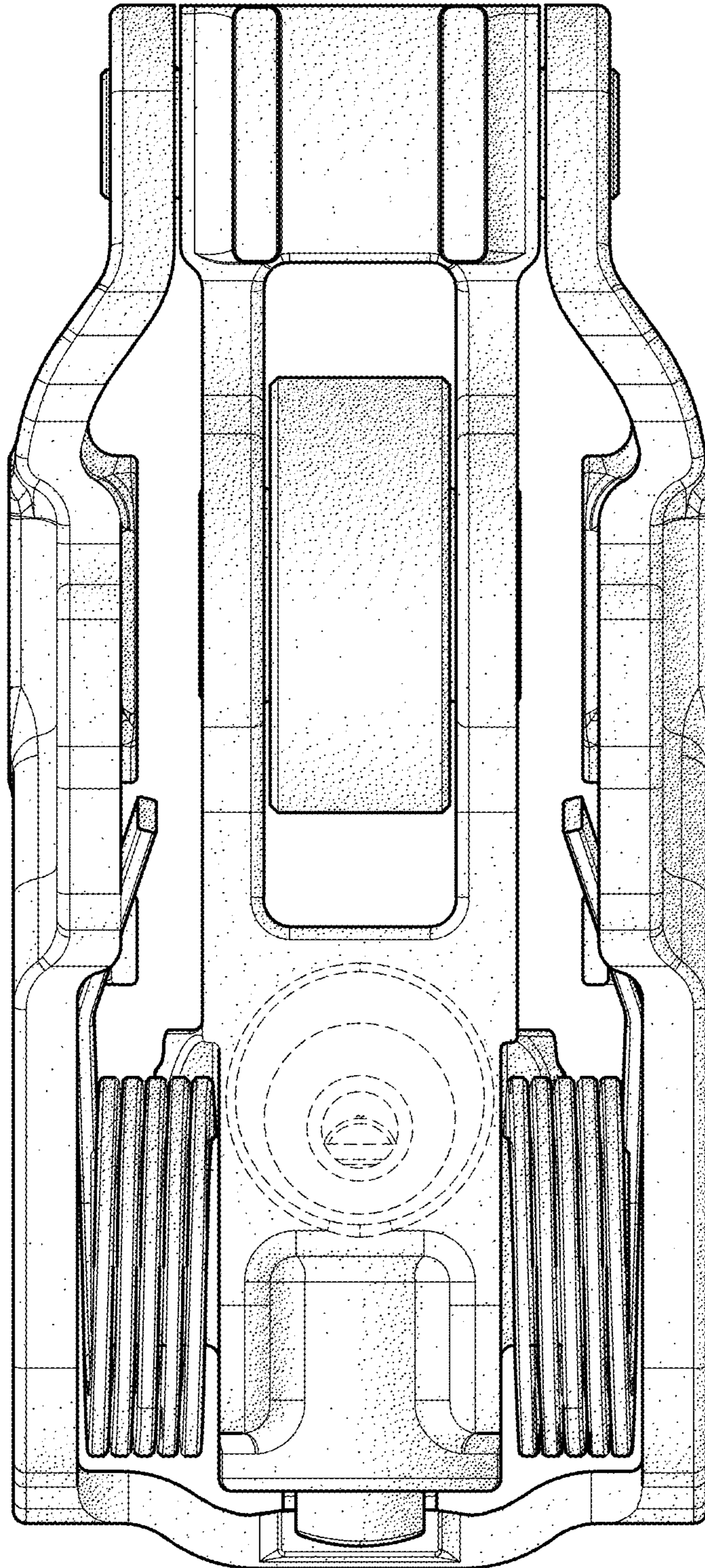


FIG. 3

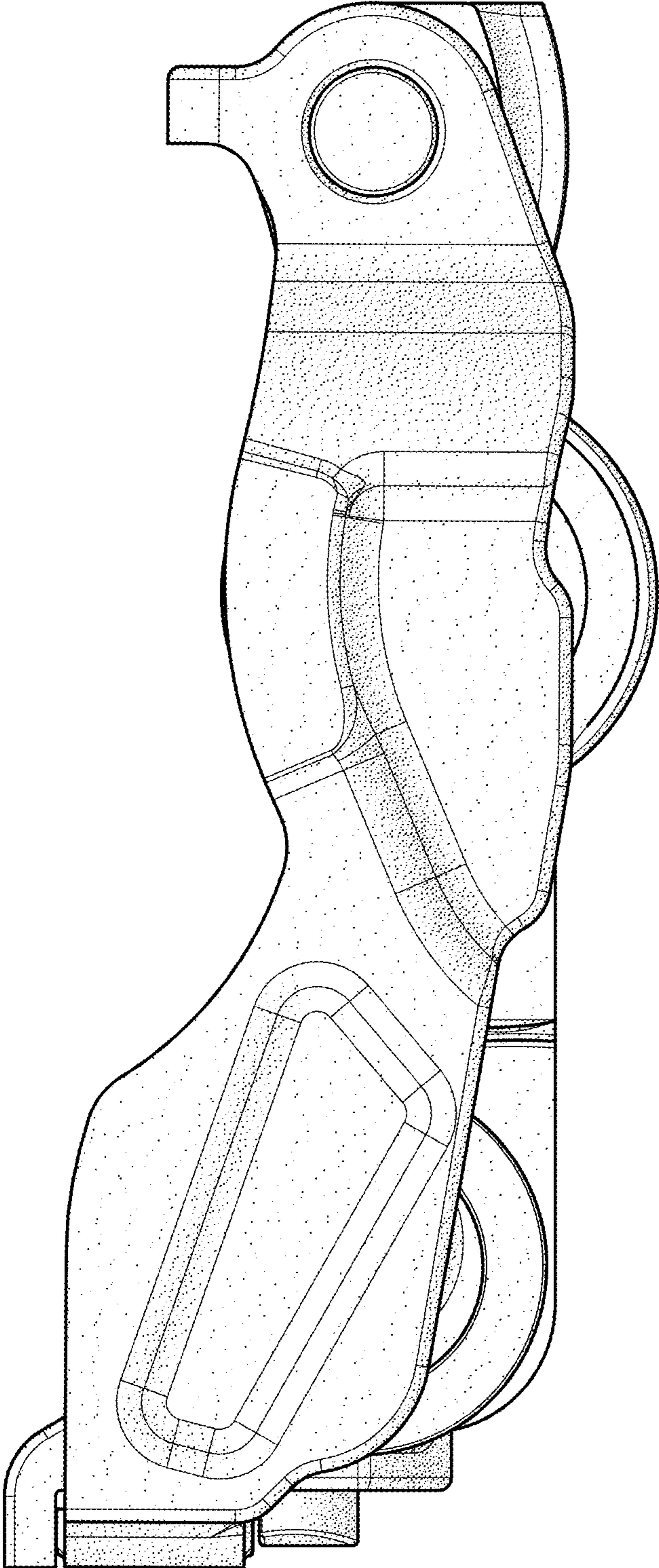


FIG. 4

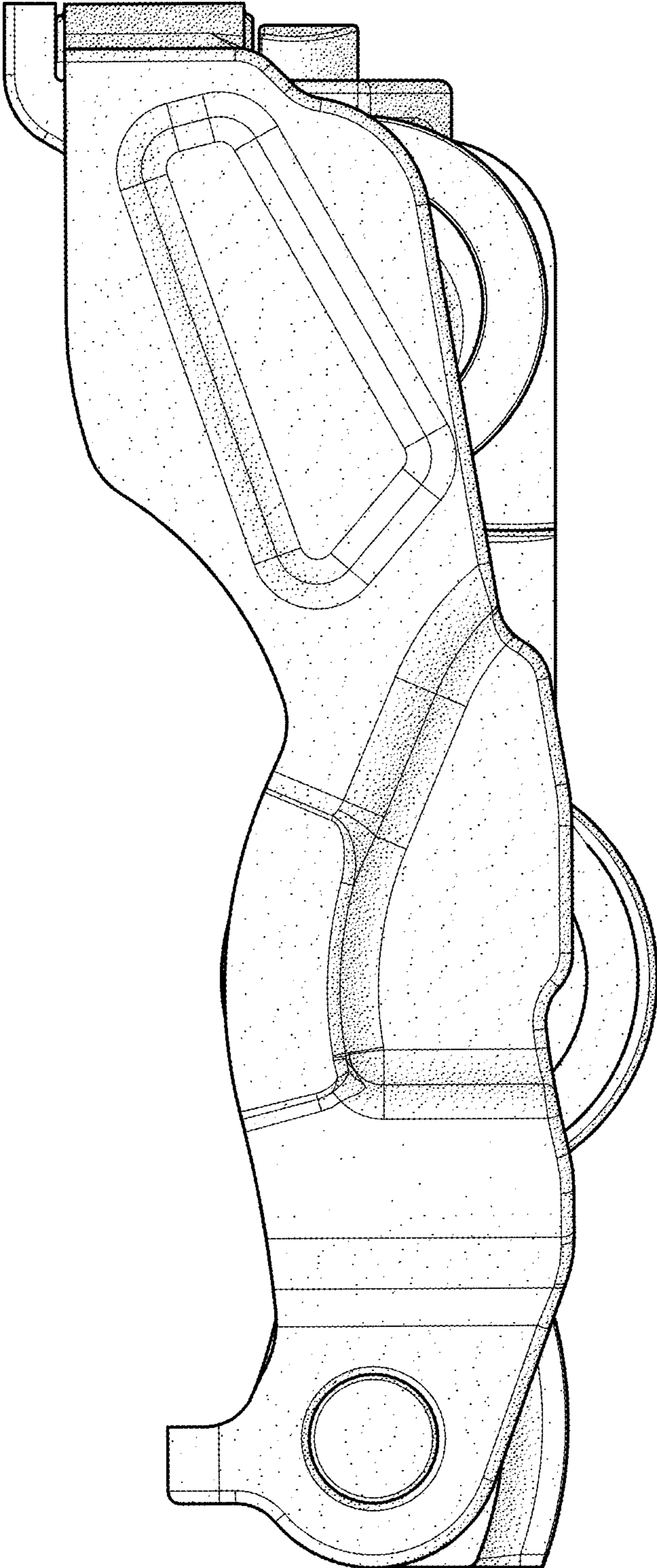


FIG. 5

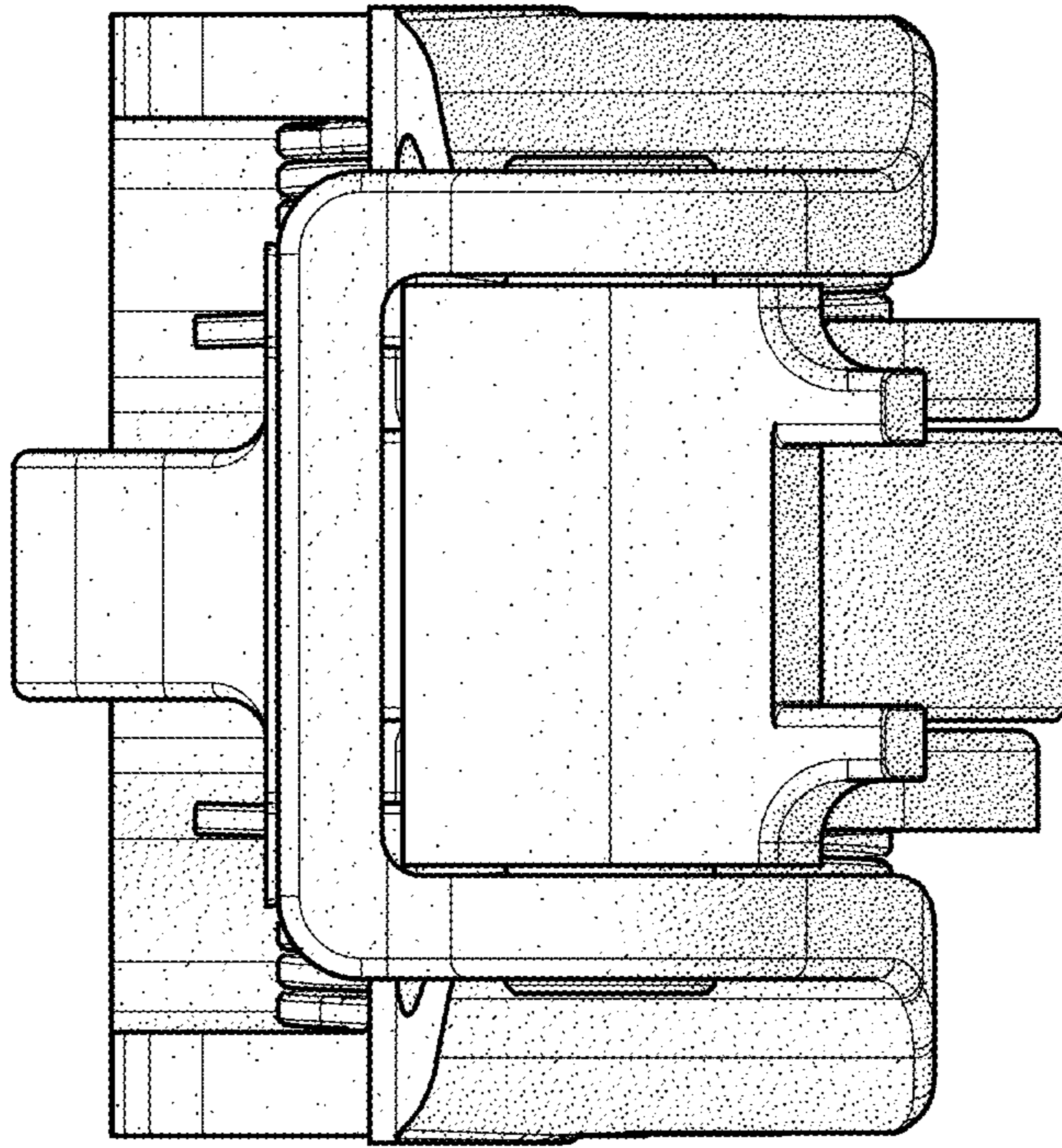


FIG. 7

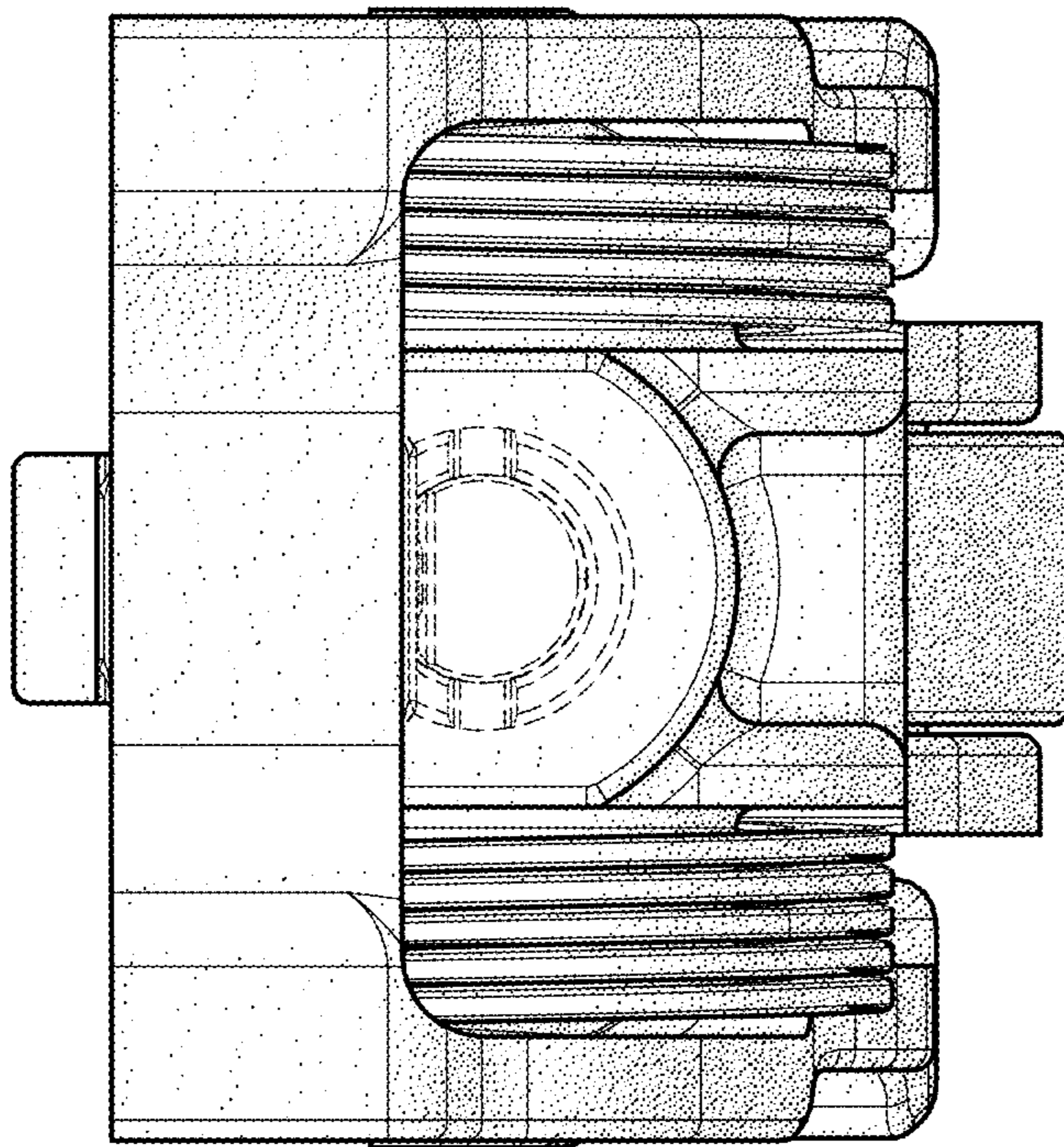


FIG. 6