



US00D791189S

(12) **United States Design Patent** (10) **Patent No.:** **US D791,189 S**  
**Scherer, III et al.** (45) **Date of Patent:** **\*\* Jul. 4, 2017**

- (54) **OUTBOARD ENGINE HOUSING** 4,447,214 A 5/1984 Henrich  
4,897,061 A \* 1/1990 Koepsel ..... B63H 20/245  
440/89 R
- (71) Applicant: **Brunswick Corporation**, Lake Forest, IL (US) 4,911,665 A 3/1990 Hetzel  
5,277,634 A \* 1/1994 Calamia ..... B63H 20/245  
440/66
- (72) Inventors: **John O. Scherer, III**, Oshkosh, WI (US); **Paul M. Radavich**, Eldorado, WI (US); **James E. Clevenger**, Oshkosh, WI (US) 5,967,866 A 10/1999 Willows et al.  
D428,616 S \* 7/2000 Iekura ..... D15/4  
D663,321 S \* 7/2012 Okamoto ..... D15/3  
9,359,059 B1 \* 6/2016 Scherer, III ..... B63H 20/34  
2007/0042652 A1 \* 2/2007 Kitsu ..... B63H 20/32  
440/76
- (73) Assignee: **Brunswick Corporation**, Lake Forest, IL (US) \* cited by examiner

(\*\*) Term: **14 Years**

(21) Appl. No.: **29/511,818**

(22) Filed: **Dec. 15, 2014**

**Related U.S. Application Data**

(63) Continuation-in-part of application No. 14/556,748, filed on Dec. 1, 2014, now Pat. No. 9,359,059.

(51) **LOC (10) Cl.** ..... **15-01**

(52) **U.S. Cl.**  
USPC ..... **D15/4**

(58) **Field of Classification Search**  
USPC ..... D15/1-5  
CPC ..... B63H 20/32; B63H 2020/323; B63H 2020/326; B63H 20/34; B63H 20/28; B63B 17/00

See application file for complete search history.

(56) **References Cited**

**U.S. PATENT DOCUMENTS**

- D246,853 S \* 1/1978 Berchem ..... D15/4
- 4,295,835 A 10/1981 Mapes et al.

*Primary Examiner* — T. Chase Nelson  
*Assistant Examiner* — Ania Aman  
(74) *Attorney, Agent, or Firm* — Andrus Intellectual Property Law, LLP

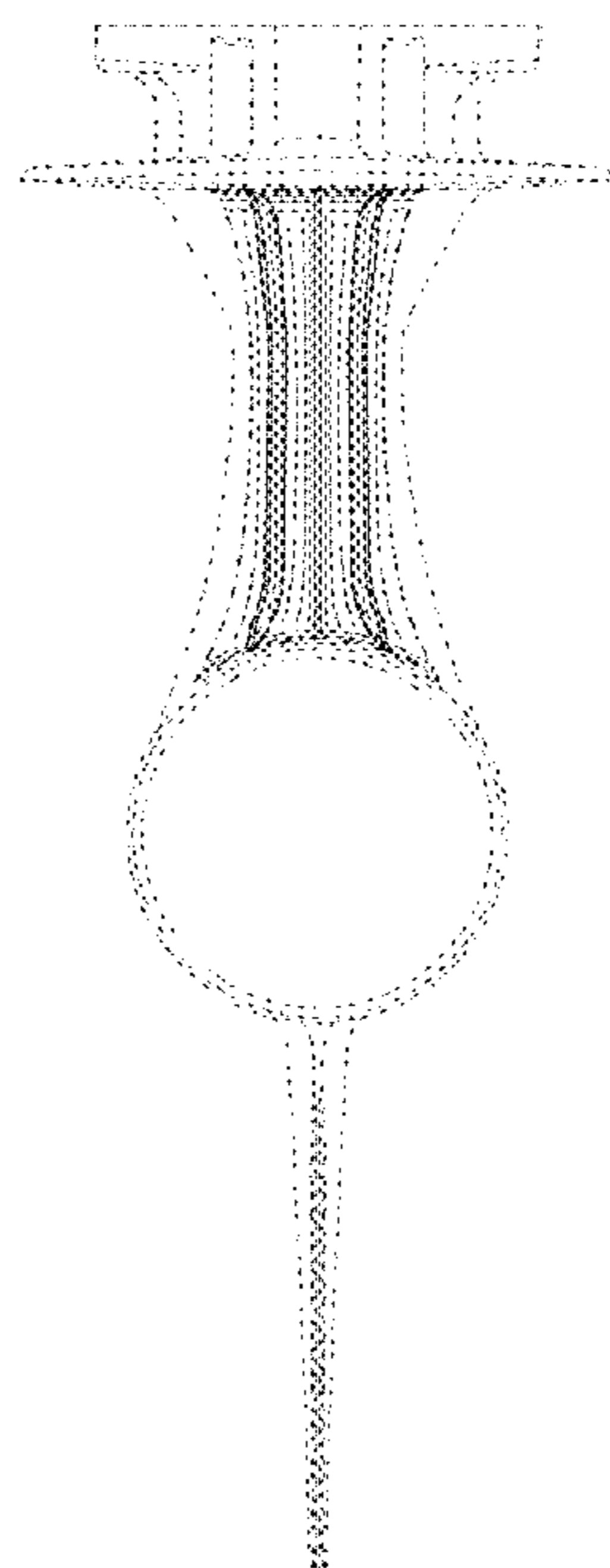
(57) **CLAIM**

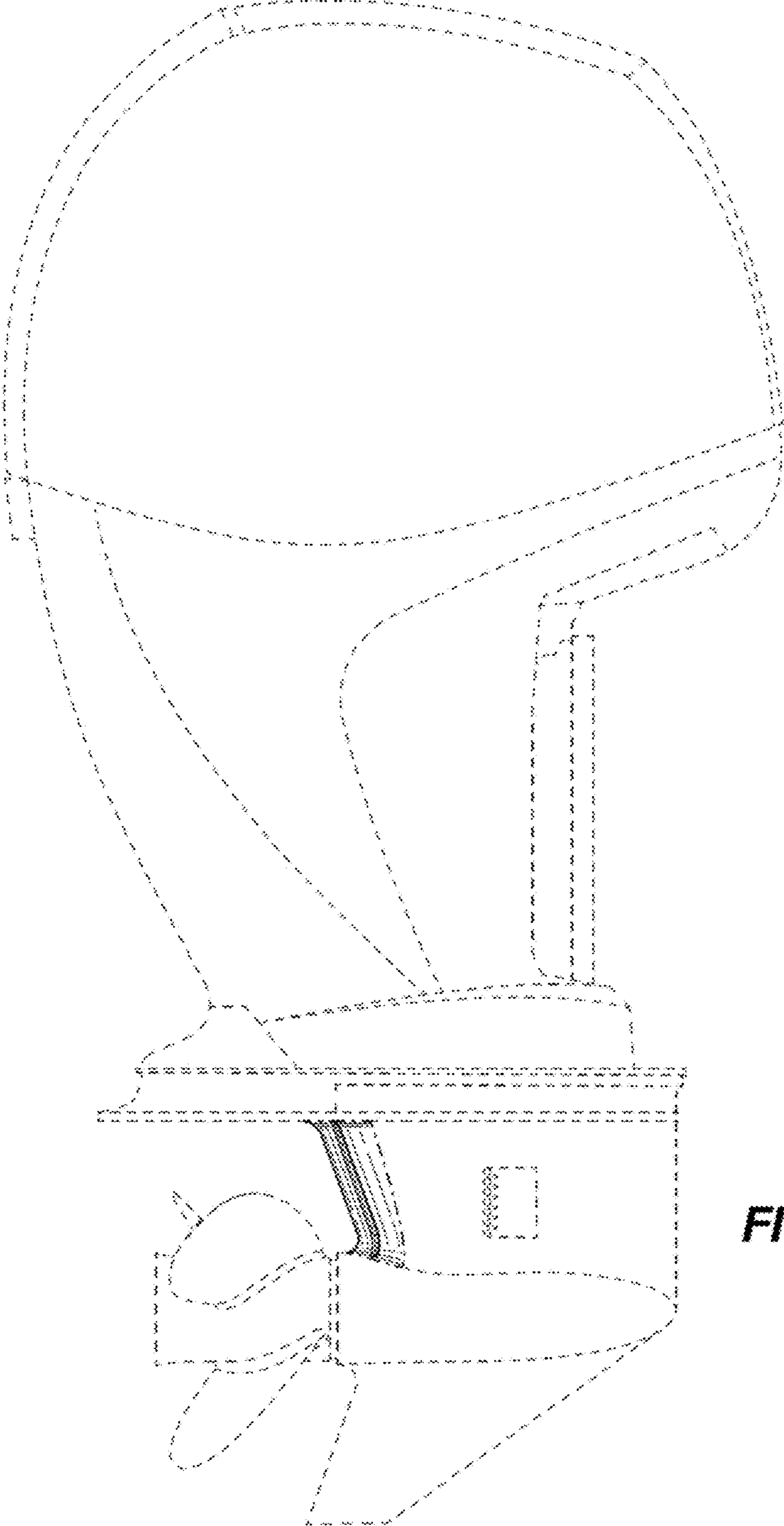
The ornamental design for a outboard engine housing, as shown and described.

**DESCRIPTION**

FIG. 1 is a side view of a outboard engine housing.  
FIG. 2 is a perspective view of the housing.  
FIG. 3 is an opposite perspective view of the housing.  
FIG. 4 is a side view of the housing.  
FIG. 5 is a rear view of the housing; and,  
FIG. 6 is a view of section 6-6, taken in FIG. 4.  
The broken lines represent portions of the housing that are shown for purposes of illustrating environment and form no part of the claimed design.

**1 Claim, 6 Drawing Sheets**





**FIG. 1**

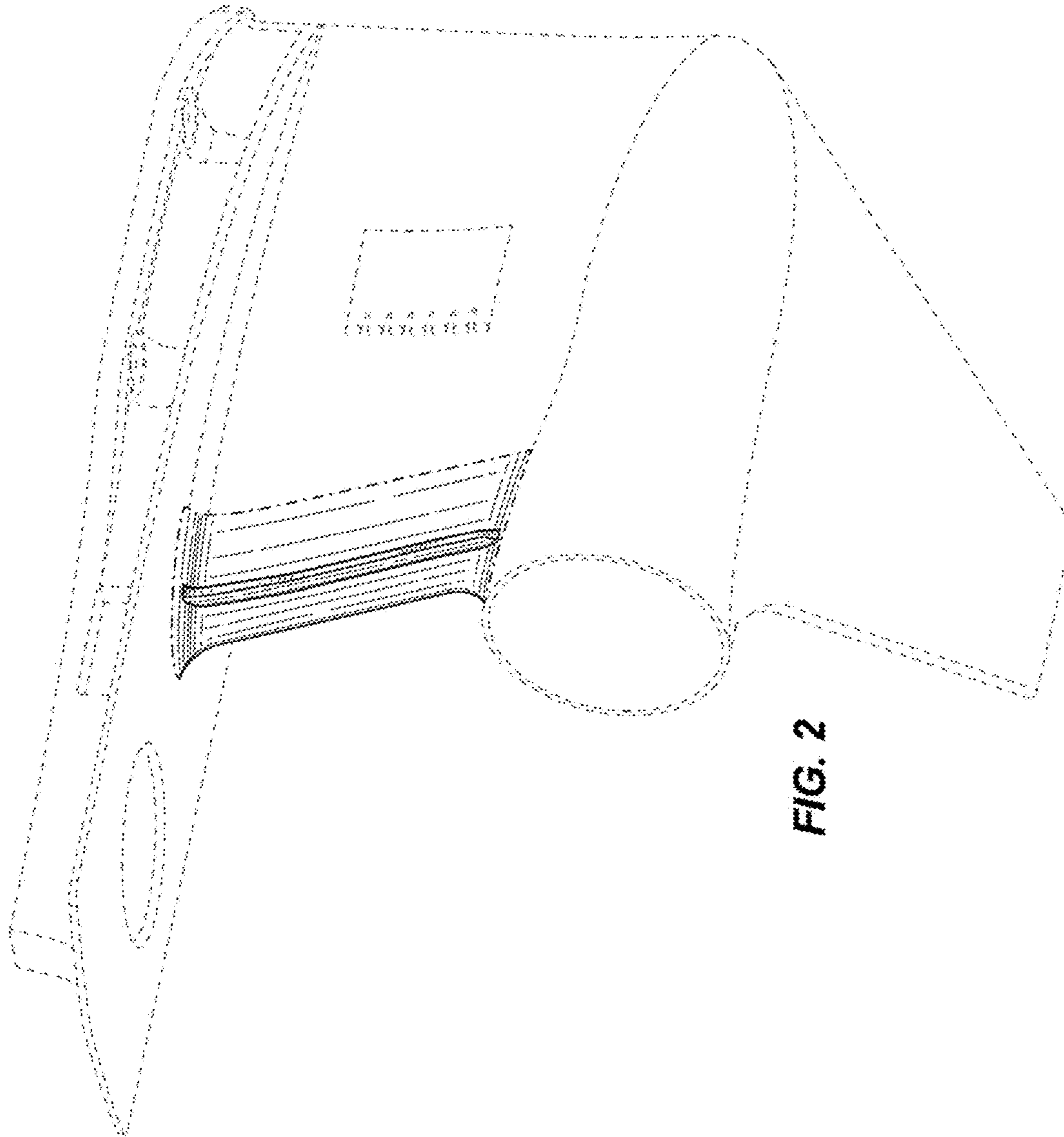


FIG. 2

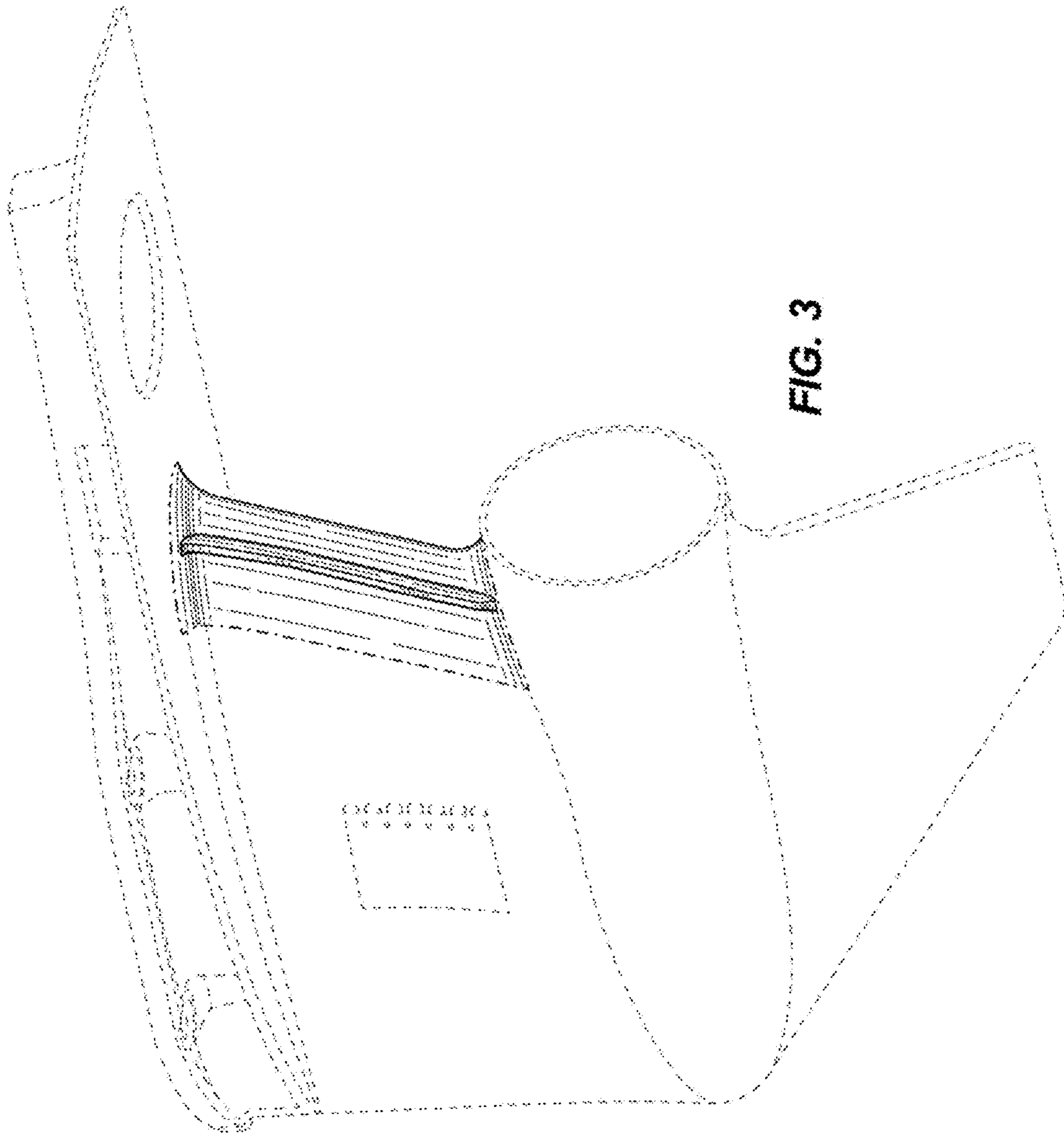


FIG. 3

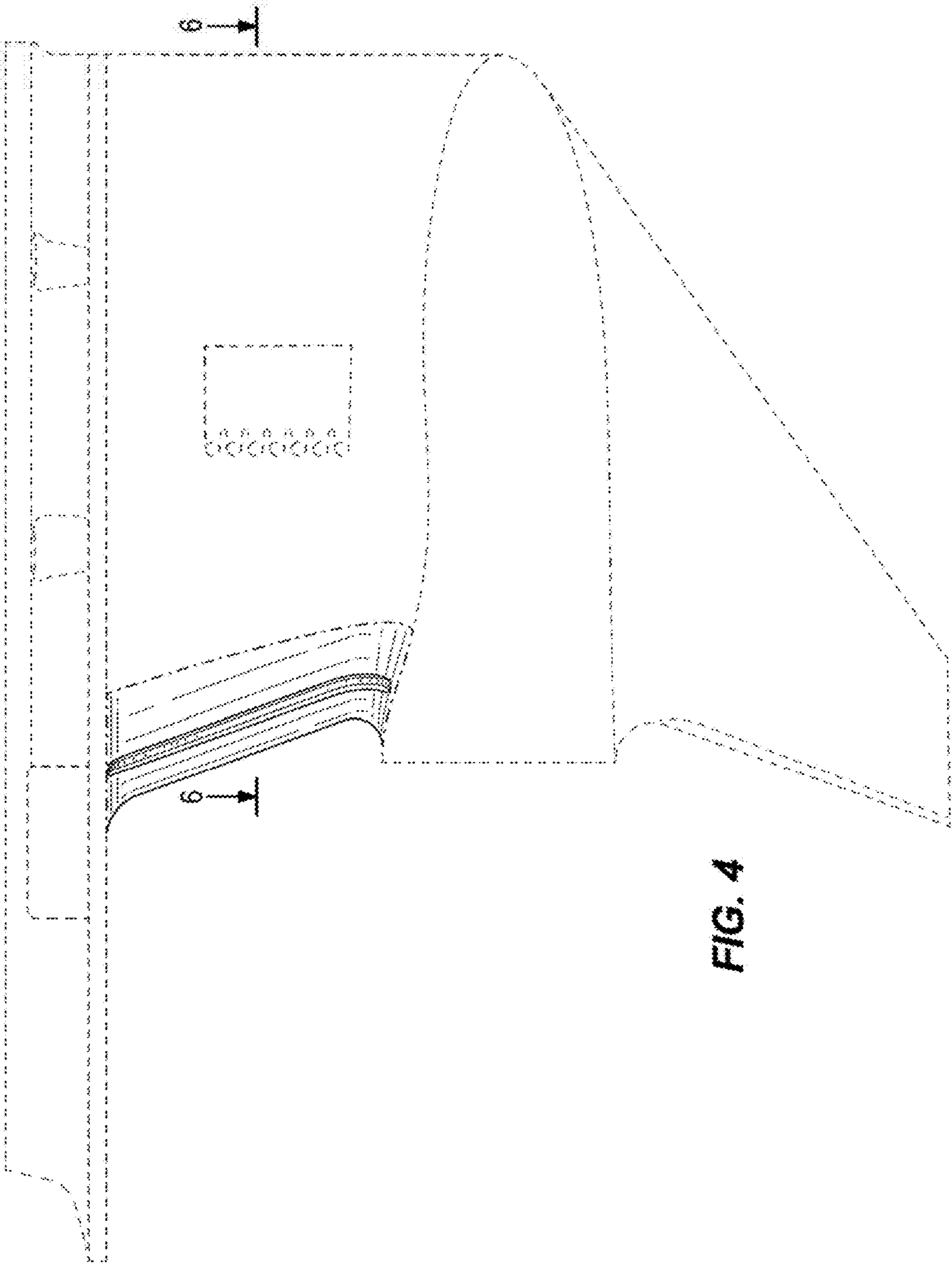
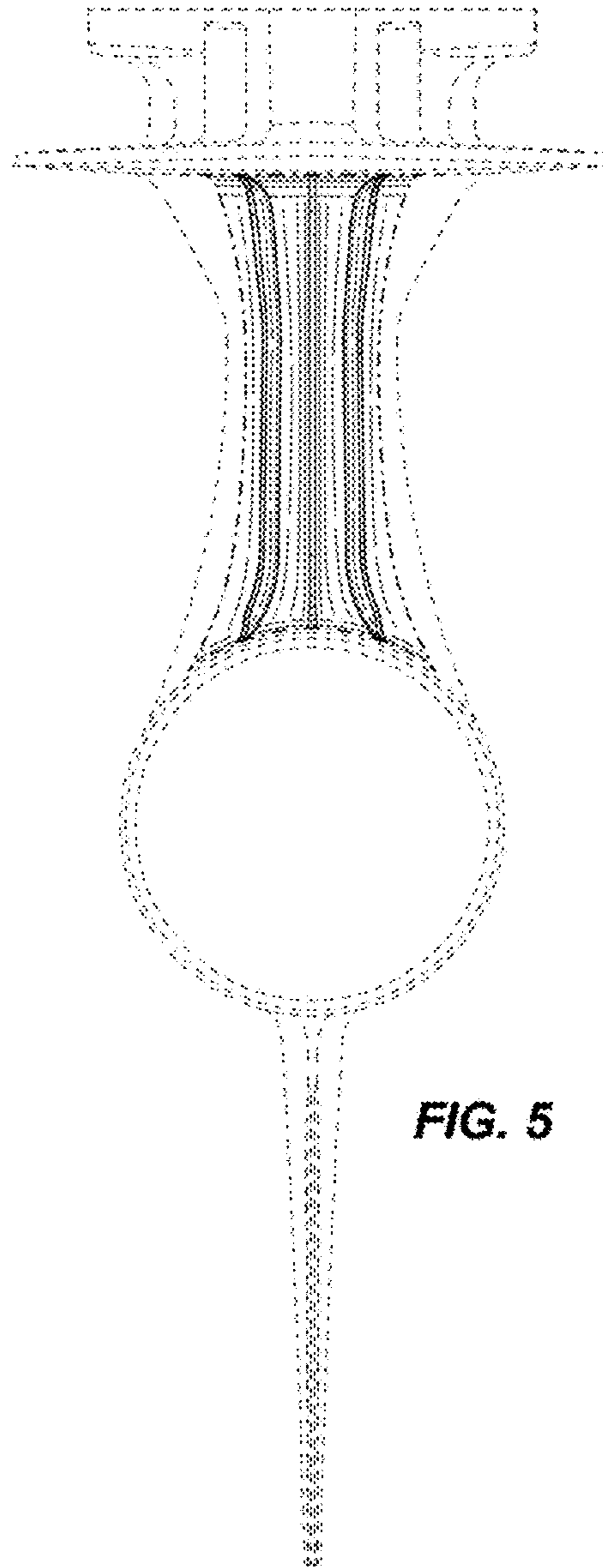


FIG. 4



**FIG. 5**

