



US00D791140S

(12) **United States Design Patent**
Nuk et al.

(10) **Patent No.:** **US D791,140 S**
(45) **Date of Patent:** **** Jul. 4, 2017**

(54) **STAND FOR AN ELECTRONIC DEVICE**
(71) Applicant: **Samsung Electronics Co., Ltd.**,
Suwon-si (KR)
(72) Inventors: **Howard Nuk**, San Francisco, CA (US);
Jinseok Hwang, Walnut Creek, CA
(US); **Alex Millie**, San Francisco, CA
(US); **Seounghyun Son**, San Francisco,
CA (US); **Jeffrey Jones**, San Francisco,
CA (US); **Jiyeon Lee**, Emeryville, CA
(US)

D585,399 S * 1/2009 Hwang D14/130
D620,942 S * 8/2010 Huang D14/447
D626,129 S * 10/2010 Lutz D14/447
D678,877 S 3/2013 Groene et al.
D682,282 S * 5/2013 Steinfeld D14/447
D692,438 S * 10/2013 Chang D14/447
D714,793 S * 10/2014 Kim D14/447
D743,955 S * 11/2015 Wu D14/253
D767,575 S * 9/2016 Green D14/447
D782,471 S * 3/2017 Nuk D14/341

(73) Assignee: **SAMSUNG ELECTRONICS CO., LTD.**, Suwon-si (KR)

(**) Term: **15 Years**

(21) Appl. No.: **29/538,454**

(22) Filed: **Sep. 3, 2015**

(51) **LOC (10) Cl.** **08-07**

(52) **U.S. Cl.**
USPC **D14/447**

(58) **Field of Classification Search**
USPC D14/447, 432, 434, 439, 440, 451, 452,
D14/457, 239; D12/415; D6/406.3,
D6/406.4, 406.5, 406.6; D8/363, 373,
D8/380
CPC A47B 21/04; A47B 2097/006; A47B
2097/005; A47B 2023/049; A45C
2011/002; A45C 2011/003; F16M
2200/00; F16M 13/00
See application file for complete search history.

(56) **References Cited**

U.S. PATENT DOCUMENTS

D455,755 S * 4/2002 Levine D14/447
D511,633 S * 11/2005 Viola D6/682
D558,192 S * 12/2007 Daly D14/251
D558,460 S * 1/2008 Yu D14/341

FOREIGN PATENT DOCUMENTS

EM 001012082-0005 1/2009
KR 30-0697159 6/2013

* cited by examiner

Primary Examiner — Angela J Lee

(74) *Attorney, Agent, or Firm* — McAndrews Held & Malloy, Ltd.

(57) **CLAIM**

The ornamental design for a stand for an electronic device, as shown and described.

DESCRIPTION

FIG. 1 is a top front perspective view of a stand for an electronic device showing our new design; FIG. 2 is a front elevation view thereof; FIG. 3 is a rear elevation view thereof; FIG. 4 is a left-side elevation view thereof; FIG. 5 is a right-side elevation view thereof; FIG. 6 is a top plan view thereof; FIG. 7 is a bottom plan view thereof; FIG. 8 is a top rear perspective view thereof; FIG. 9 is a bottom front perspective view thereof; and, FIG. 10 is a top front perspective view thereof, with additional unclaimed environment.

The dashed broken lines depict environment and portions of the stand for an electronic device that form no part of the claimed design.

1 Claim, 8 Drawing Sheets

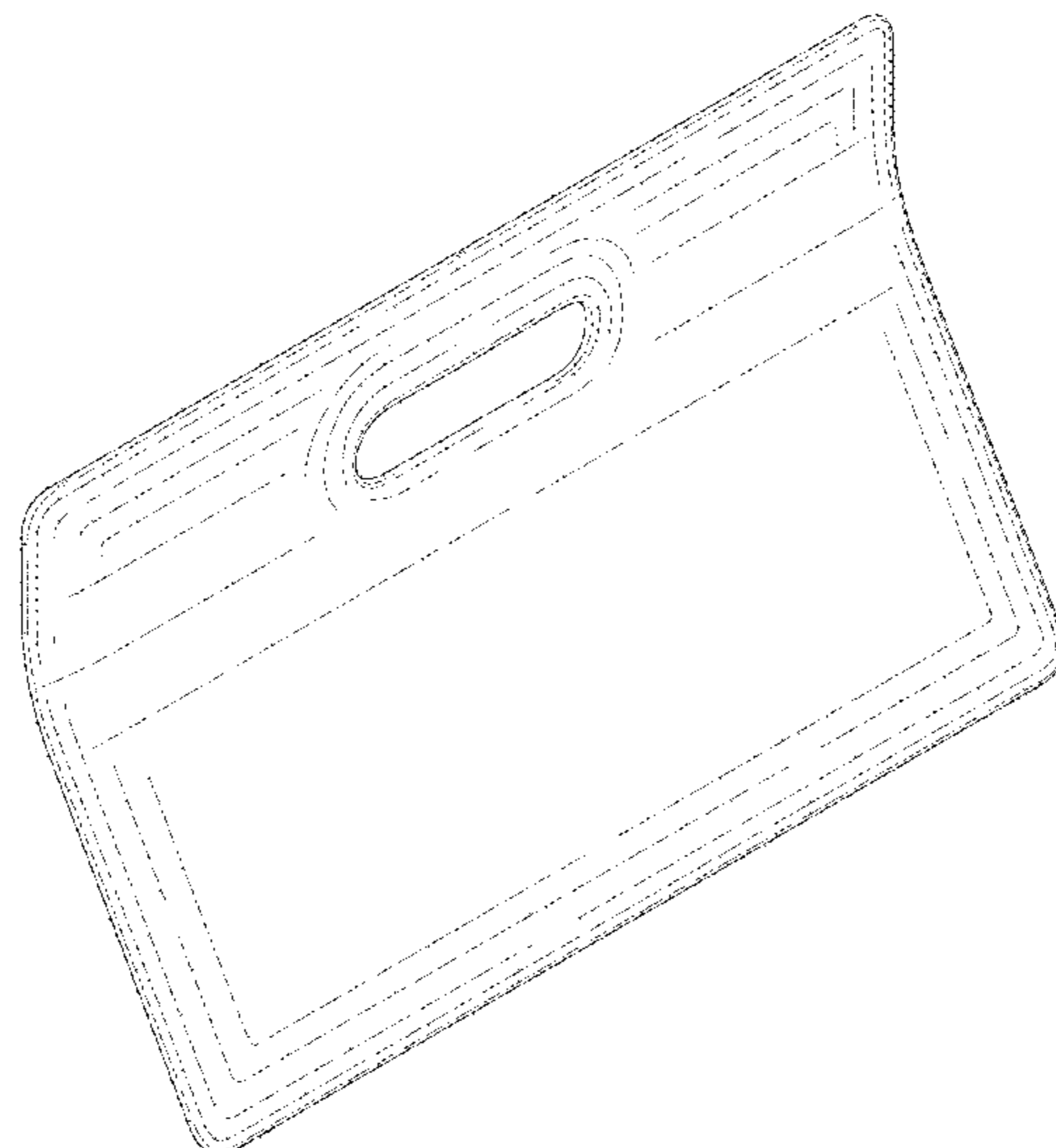


FIG. 1

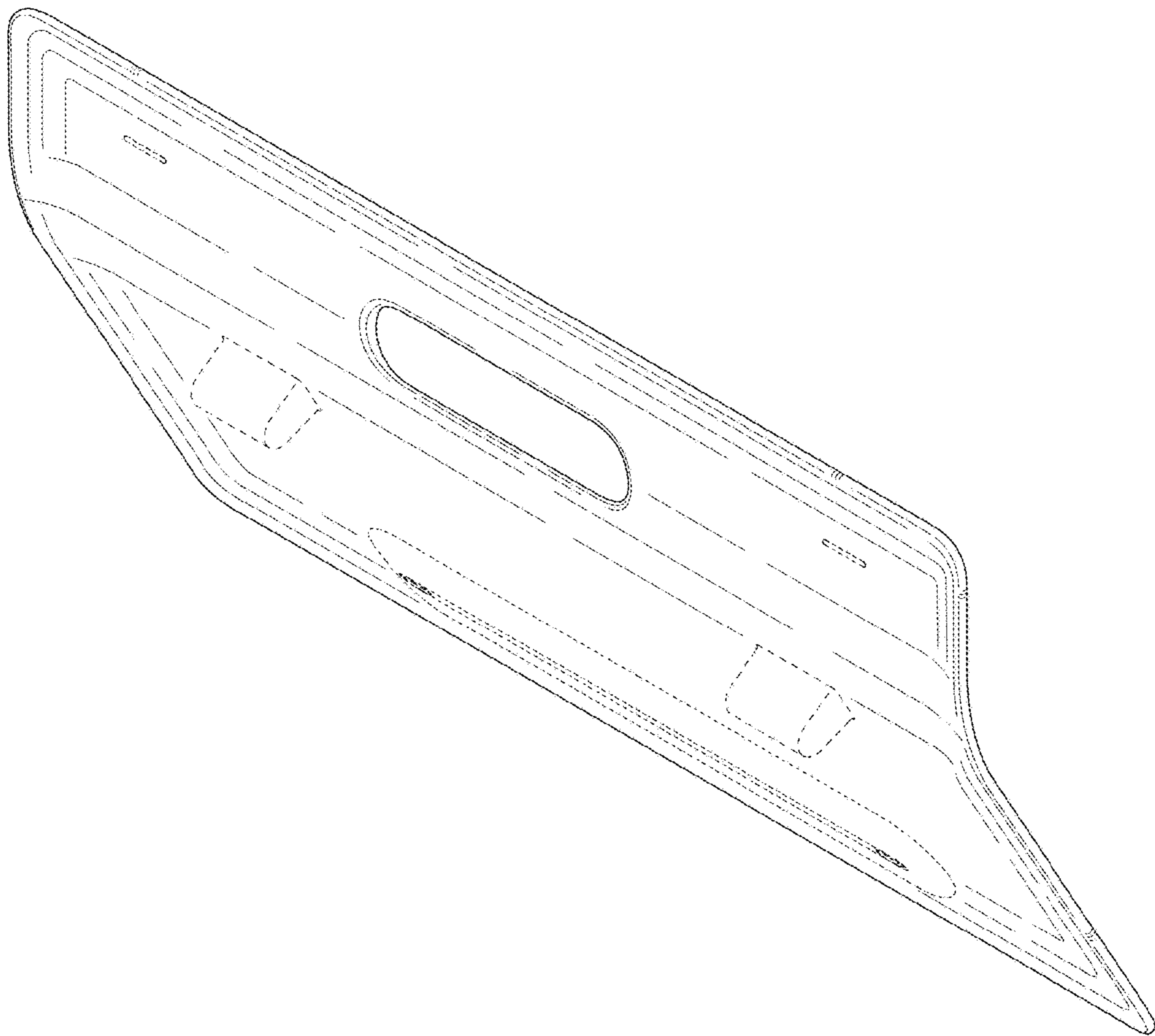


FIG. 2

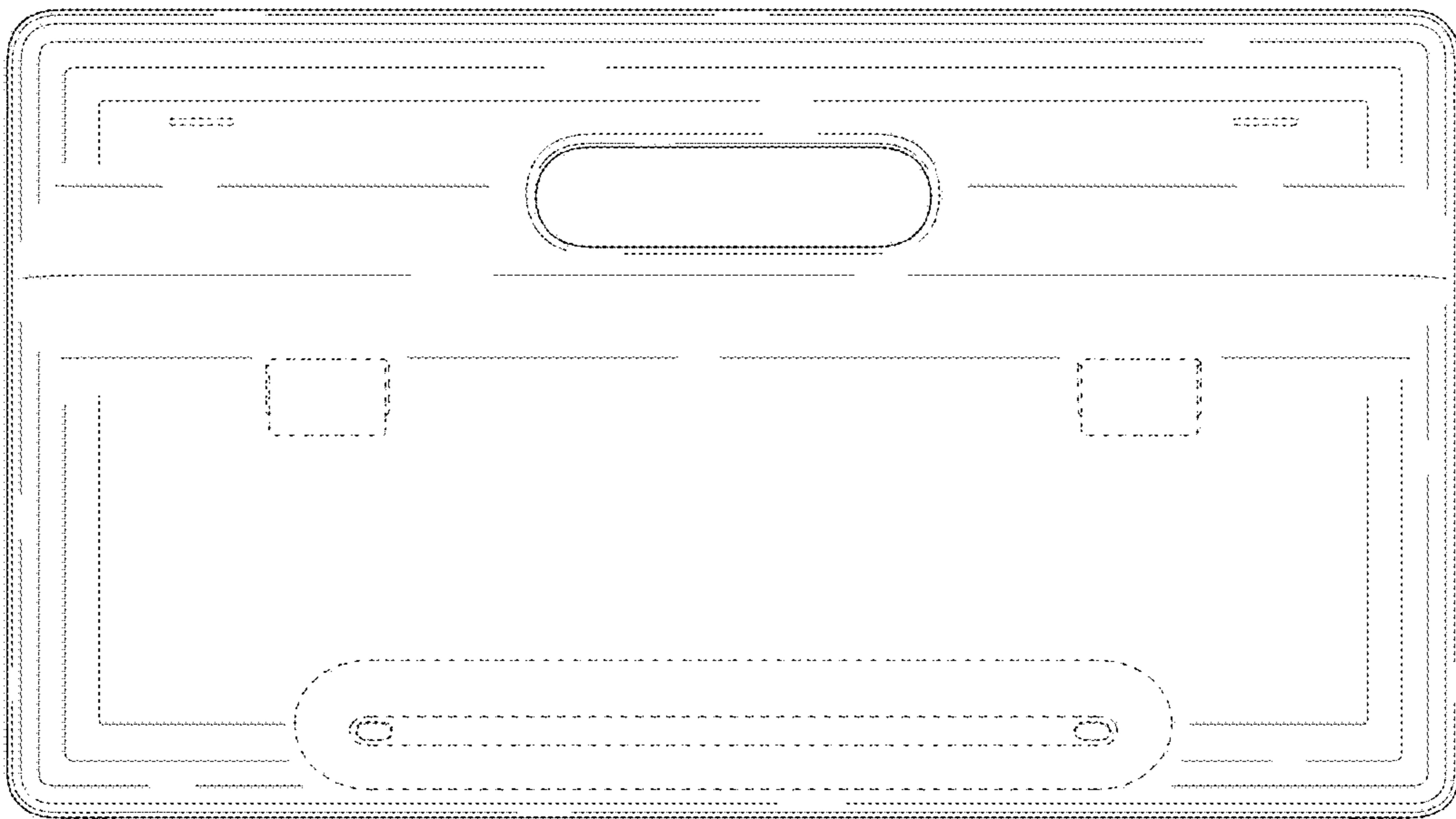


FIG. 3

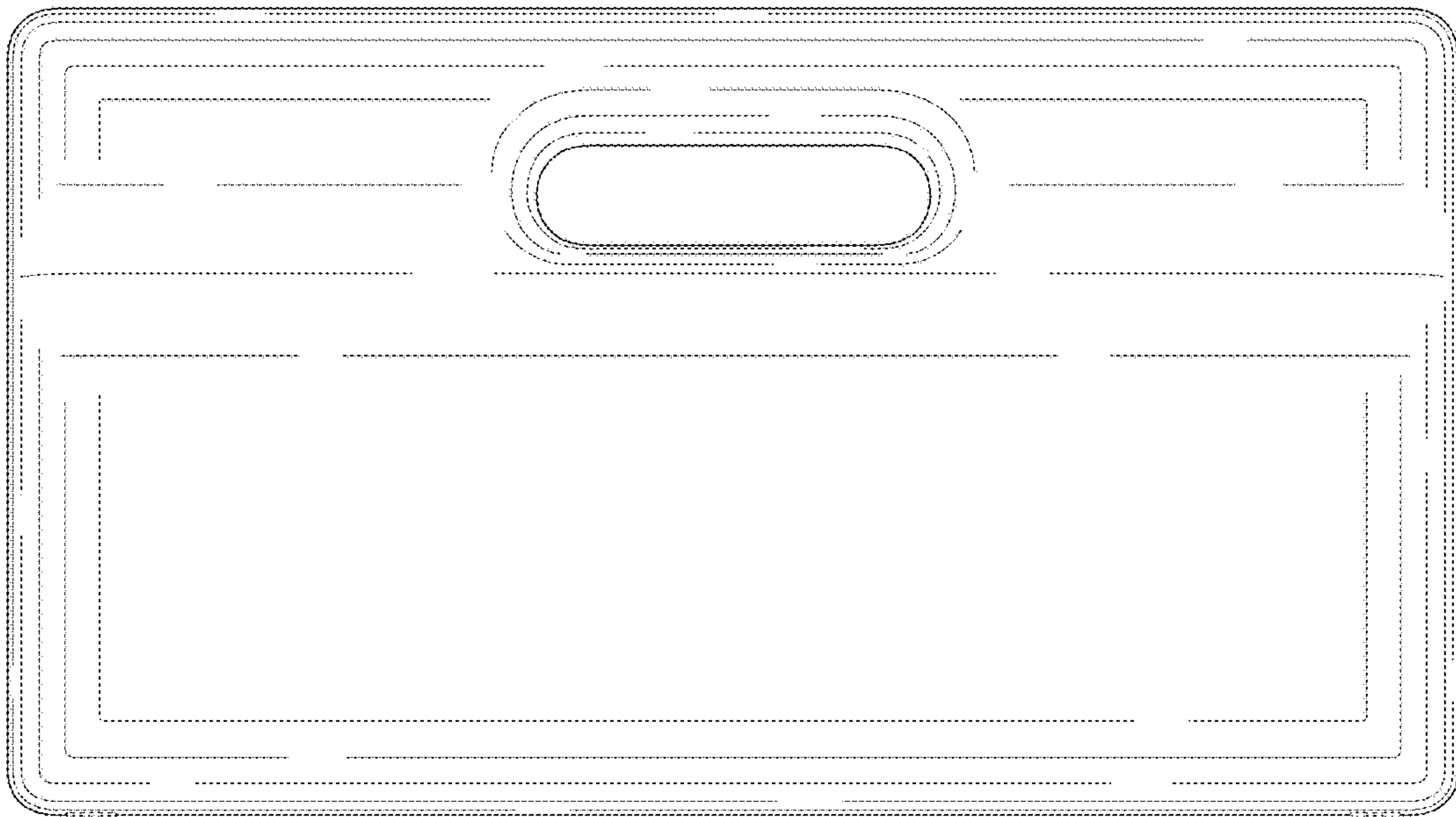


FIG. 4

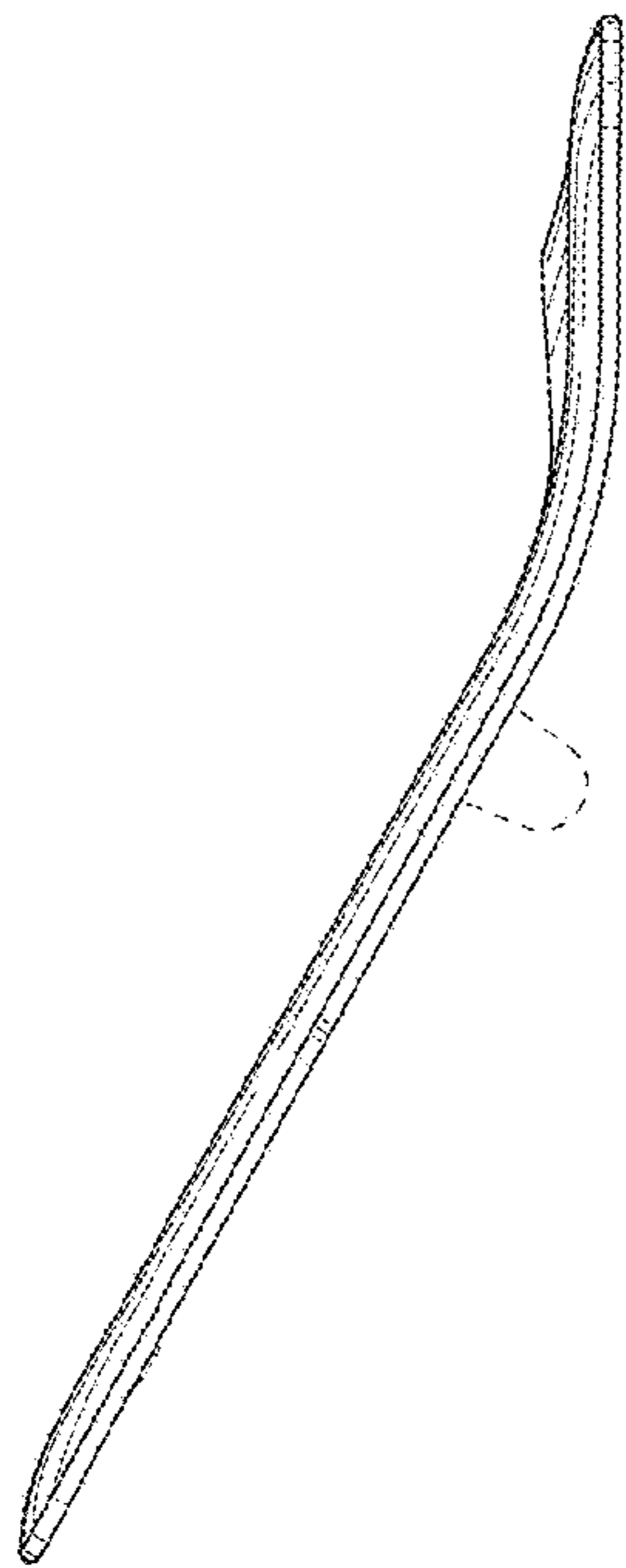


FIG. 5

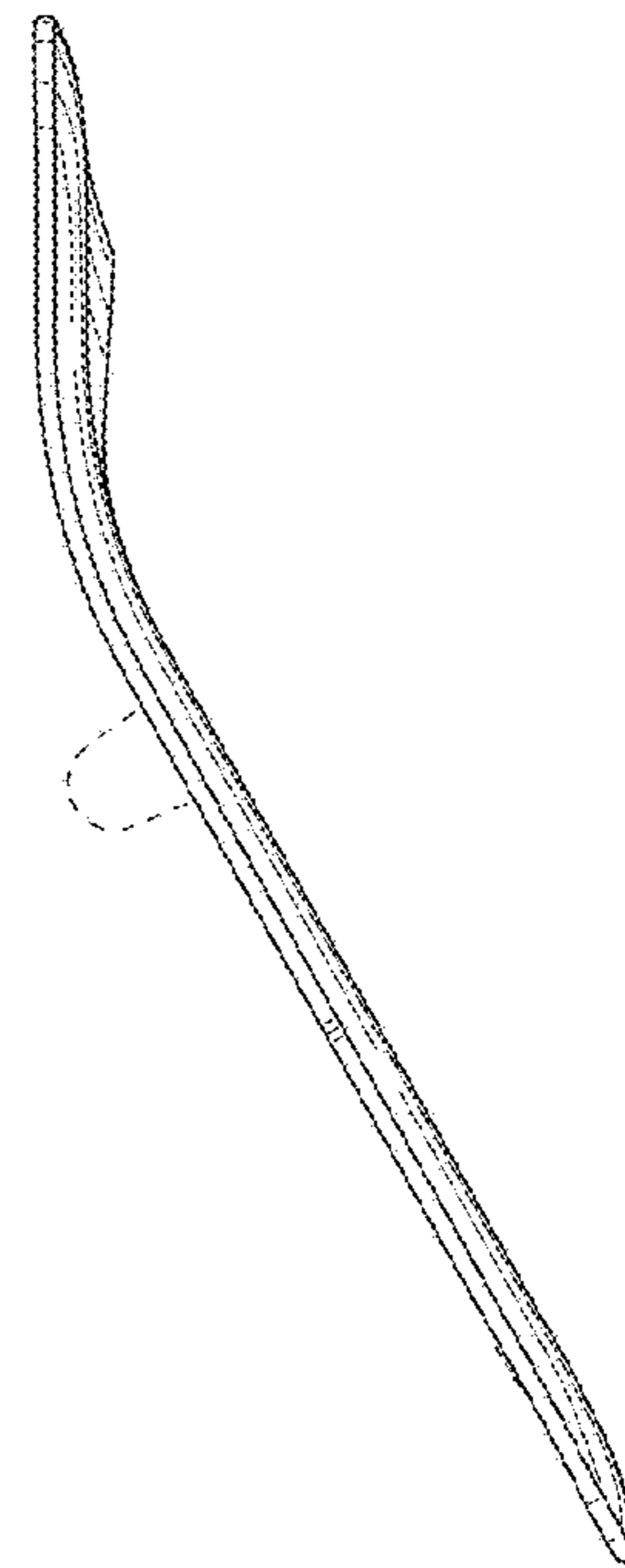


FIG. 6

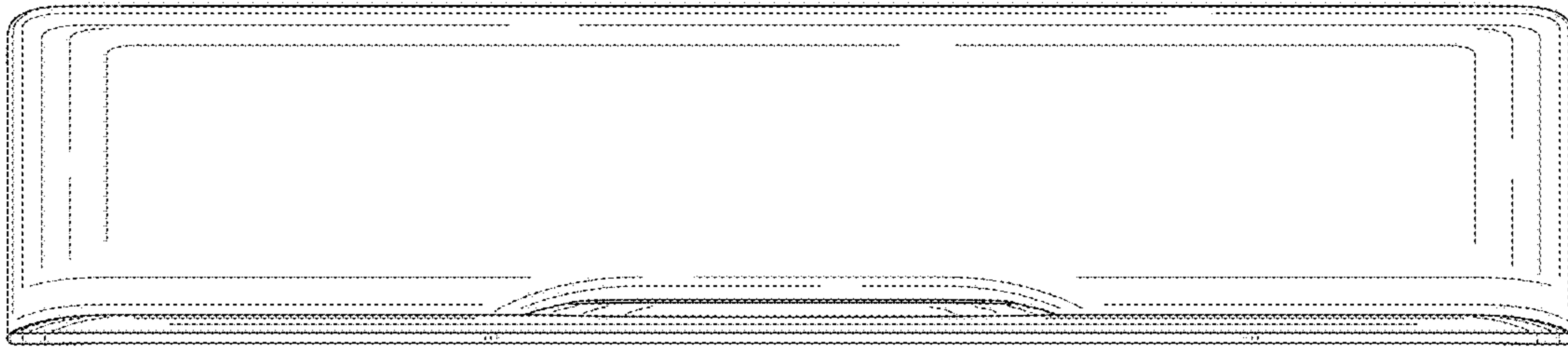


FIG. 7

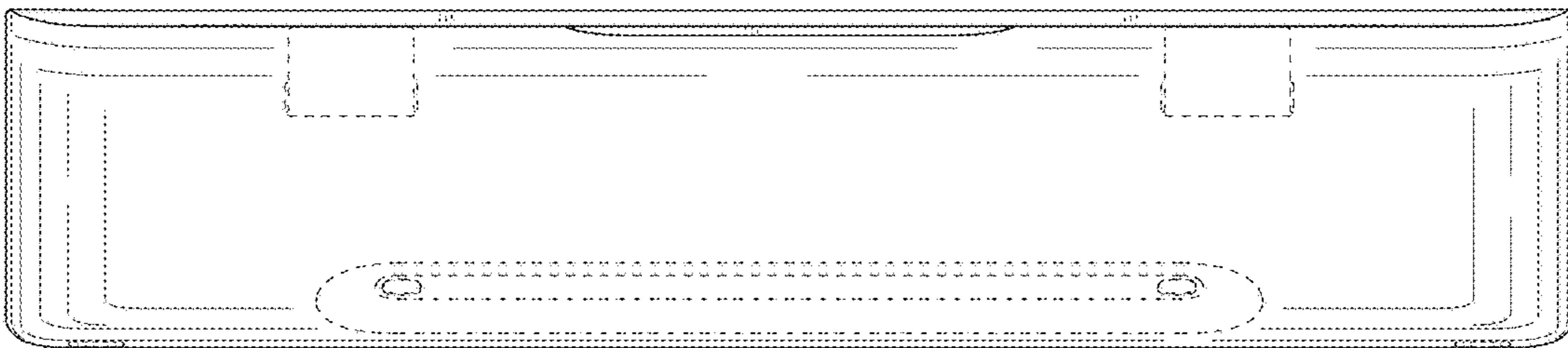


FIG. 8

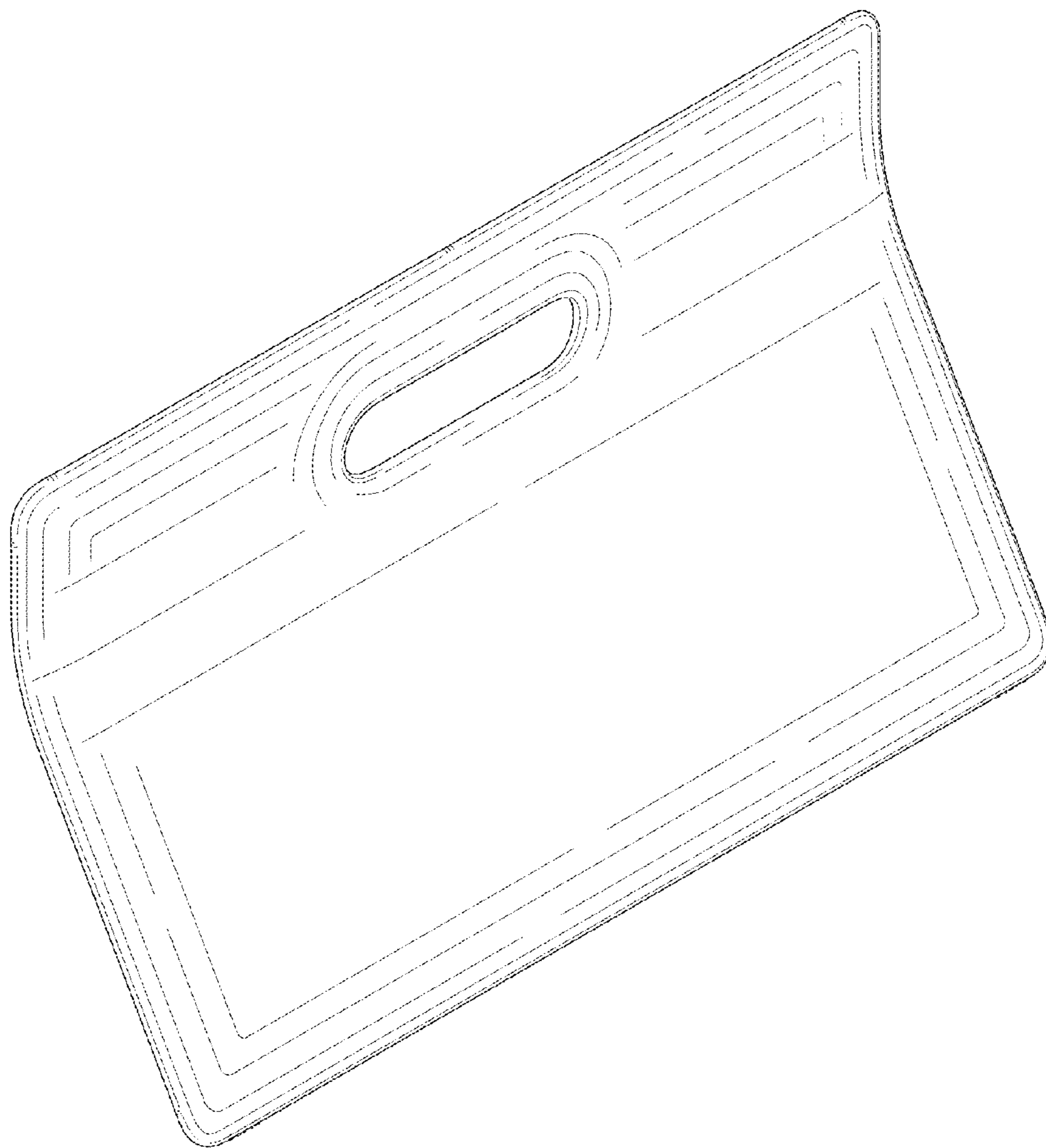


FIG. 9

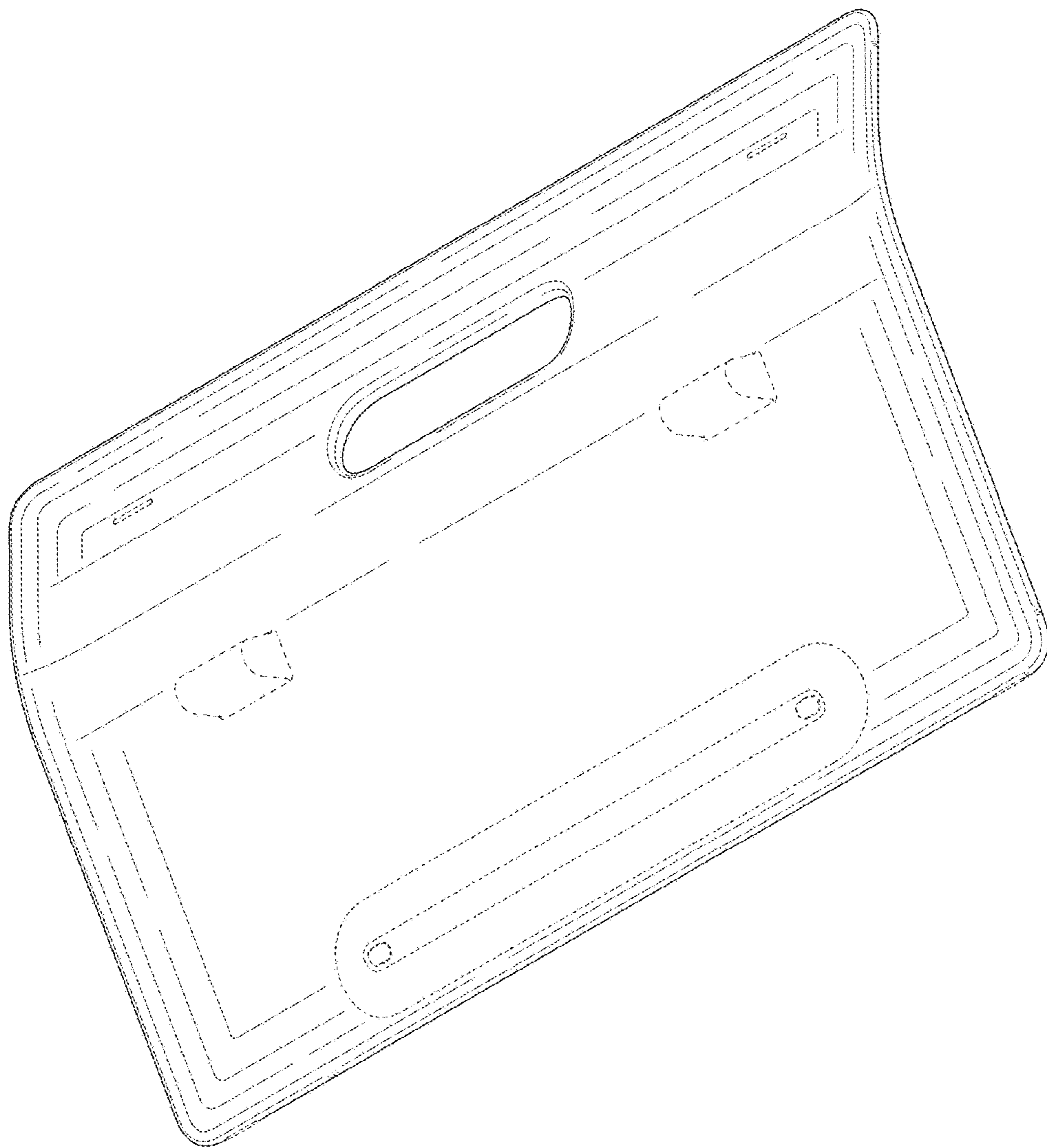


FIG. 10

