



US00D791137S

(12) **United States Design Patent**
Wang et al.

(10) **Patent No.:** **US D791,137 S**
(45) **Date of Patent:** **** Jul. 4, 2017**

(54) **SCANNER**

(71) Applicant: **Hand Held Products, Inc.**, Fort Mill, SC (US)

(72) Inventors: **Chenghao Wang**, Shanghai (CN);
Miansong Chen, Suzhou (CN);
Jindong Liu, Suzhou (CN); **Jingjing Yao**, Suzhou (CN)

(73) Assignee: **Hand Held Products, Inc.**, Fort Mill, SC (US)

(**) Term: **15 Years**

(21) Appl. No.: **29/551,856**

(22) Filed: **Jan. 18, 2016**

(30) **Foreign Application Priority Data**

Jul. 22, 2015 (CN) 2015 3 0265580

(51) **LOC (10) Cl.** **14-02**

(52) **U.S. Cl.**
USPC **D14/428**

(58) **Field of Classification Search**

USPC D14/420, 426-430, 453, 346, 341, 347,
D14/412, 138; D13/107, 184; 358/473;
235/462.43, 462.45, 462.47, 462.48,
235/462.44, 462.46, 487, 472.01, 472.02,
235/145 A, 145 R; D10/78; 324/426;
D3/273; 710/73; D18/7; 361/679, 728,
361/679.56; 382/313, 321; 455/575.1,
455/561, 572; 345/156, 168, 169, 172,
345/173, 87; 705/17, 18, 22-25

CPC G06F 1/626; G06F 1/1626; G06F 1/1656;
G06F 1/1632; G06F 1/1684; G06F
1/1635; G06F 8/63; G06F 17/30091;
G06F 9/4401; G06K 7/10881; G06K
7/1098; G06K 7/10722; G06K 7/1404;
G06K 7/0004; G06K 7/10633; G06K
7/10851; G06K 7/1091; G06K 7/1092;
G06K 7/1093; G06K 7/10; G06K 7/109;
G06K 7/1417; G06K 9/228; G06K

17/0022; G06K 17/00; G06K 2207/1011;
G06K 2207/1013; G06K 2207/1016;
G06K 2207/1018; G06K 2017/0051;
G06K 2017/0067; G06K 2007/10524;
G07G 1/0081; G07G 1/009; G06Q 20/20;
G06Q 20/201; G06Q 20/202; G06Q
20/203; G06Q 20/30; G06Q 20/32; G06Q
20/322; G06Q 20/4014; G06Q 10/087;
H04N 1/00127; H04N 1/00135; H04N
1/00326; H04N 1/00334; H04N 1/00307;
H04N 1/107; H04N 2201/0084; H04N
2101/00; H04M 1/0249; H04M 1/0262;
H04M 1/0266; H04M 1/18; H04M
(Continued)

(56) **References Cited**

U.S. PATENT DOCUMENTS

D362,435 S * 9/1995 Charych D14/428
5,475,206 A * 12/1995 Reddersen G06K 7/10653
235/462.39

(Continued)

Primary Examiner — Susan Moon Lee
(74) *Attorney, Agent, or Firm* — Additon, Higgins &
Pendleton, P.A.

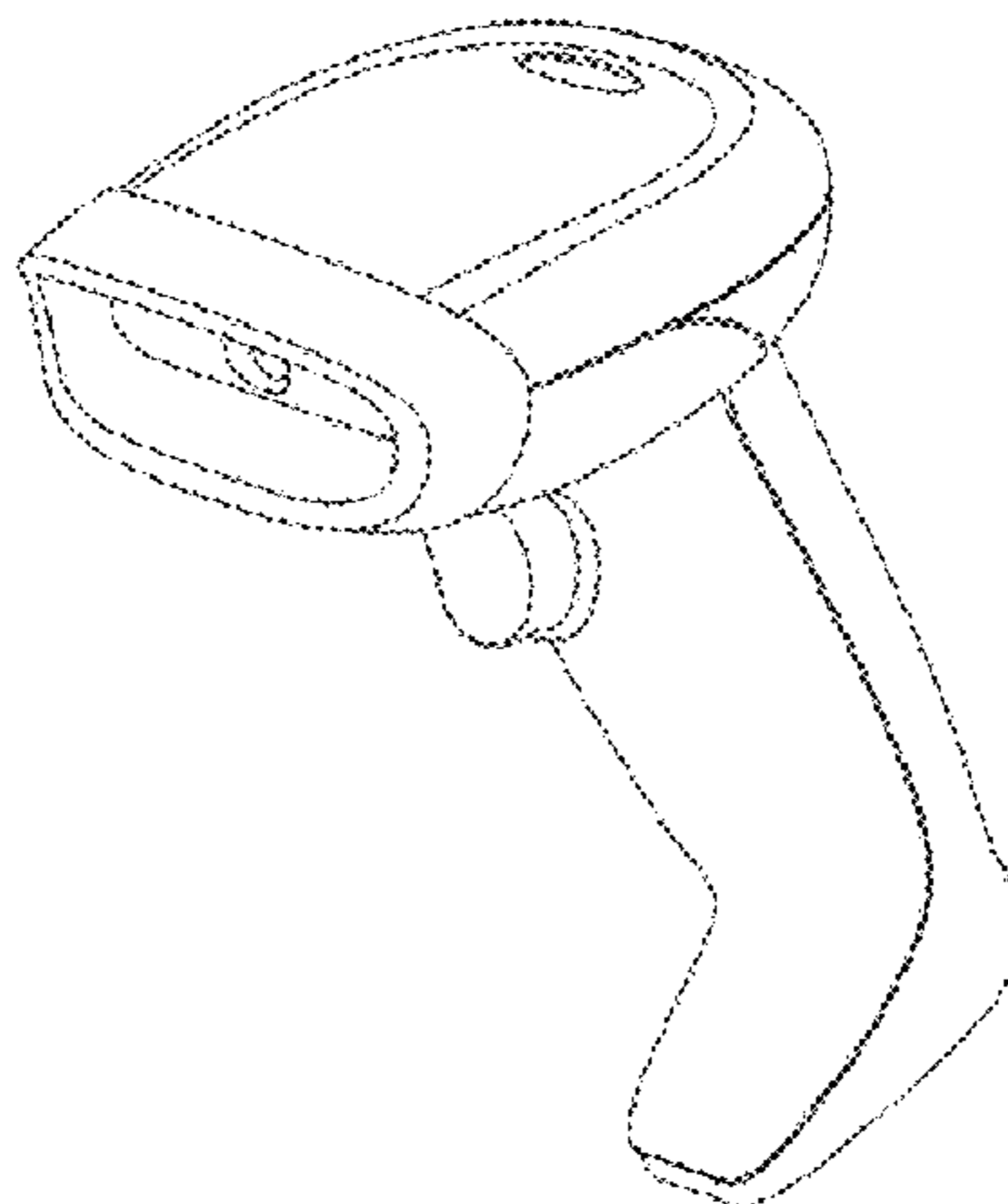
(57) **CLAIM**

The ornamental design for a scanner, as shown and described.

DESCRIPTION

FIG. 1 is a front elevation view of a scanner in accordance with the present design;
FIG. 2 is a back elevation view of the scanner;
FIG. 3 is a left elevation view of the scanner;
FIG. 4 is a right elevation view of the scanner;
FIG. 5 is a top elevation view of the scanner;
FIG. 6 is a bottom elevation view of the scanner; and,
FIG. 7 is a front perspective view of the scanner.

1 Claim, 7 Drawing Sheets



(58) **Field of Classification Search**
 CPC 1/23; H04M 1/236; H04B 1/3827; H04B
 1/3833; H04B 1/3877; H04B 1/3883;
 H04B 1/3888; H04B 2001/3894; H01M
 2/1066
 See application file for complete search history.

(56) **References Cited**

U.S. PATENT DOCUMENTS

5,850,078 A * 12/1998 Giordano G06K 7/10881
 235/462.27
 D414,171 S * 9/1999 Swift D14/428
 6,129,282 A * 10/2000 Reddersen G06K 7/10881
 235/454
 6,230,976 B1 * 5/2001 Sautter G02B 26/10
 235/462.36
 D456,809 S * 5/2002 Schlieffers D14/426
 D456,810 S * 5/2002 Schlieffers D14/426
 D459,728 S * 7/2002 Roberts D14/428
 D470,145 S * 2/2003 Schlieffers D14/428
 6,517,003 B2 * 2/2003 Vassura G06K 7/10881
 235/462.45
 7,090,132 B2 * 8/2006 Havens G06K 7/10584
 235/454
 D542,802 S * 5/2007 Woodcock D14/426
 D562,825 S * 2/2008 Fitch D14/426
 D570,843 S * 6/2008 Mazzone D14/426
 7,461,790 B2 * 12/2008 McQueen G03B 7/093
 235/454
 D588,596 S * 3/2009 Mazzone D14/426
 D603,408 S * 11/2009 Fitch D14/426
 D606,544 S * 12/2009 Di Bari D14/426
 8,424,768 B2 * 4/2013 Rueblinger G06K 7/10881
 235/462.01
 D692,004 S * 10/2013 Man D14/426
 8,640,960 B2 * 2/2014 Wang G06K 7/12
 235/454
 8,825,516 B2 * 9/2014 Grant G06Q 10/08
 235/385
 D726,186 S * 4/2015 Jenkins D14/426
 9,053,378 B1 * 6/2015 Hou G06K 7/10564
 D734,339 S * 7/2015 Zhou D14/428
 9,262,633 B1 * 2/2016 Todeschini G06F 21/56
 D753,660 S * 4/2016 Zhou D14/428
 9,367,723 B1 * 6/2016 Drzymala G06K 7/10881
 9,412,242 B2 * 8/2016 Van Horn G06Q 20/208
 2002/0096566 A1 * 7/2002 Schwartz G06K 7/10742
 235/462.42
 2002/0148902 A1 * 10/2002 Schlieffers G06K 7/10881
 235/472.01

2004/0262394 A1 * 12/2004 Longacre, Jr. G06K 7/10851
 235/462.15
 2005/0023358 A1 * 2/2005 Byun G07G 1/0045
 235/462.45
 2007/0272756 A1 * 11/2007 Brock G06K 7/10722
 235/462.25
 2008/0078839 A1 * 4/2008 Barkan G06K 7/10554
 235/470
 2008/0179402 A1 * 7/2008 Barkan G06K 7/10722
 235/462.41
 2008/0191022 A1 * 8/2008 Barkan G06K 7/14
 235/462.01
 2009/0057413 A1 * 3/2009 Vinogradov G02B 27/20
 235/462.35
 2009/0140050 A1 * 6/2009 Liu G06K 7/10831
 235/462.42
 2010/0065642 A1 * 3/2010 An G06K 7/10881
 235/462.43
 2010/0219249 A1 * 9/2010 Barkan G06K 7/10732
 235/462.42
 2011/0121077 A1 * 5/2011 Joseph G06K 7/10722
 235/462.11
 2012/0111946 A1 * 5/2012 Golant G06K 7/10633
 235/470
 2013/0313325 A1 * 11/2013 Wilz, Sr. G06K 7/10801
 235/462.25
 2014/0197239 A1 * 7/2014 Havens G06K 7/10623
 235/462.38
 2014/0361082 A1 * 12/2014 Xian G06K 7/10821
 235/455
 2015/0001301 A1 * 1/2015 Ouyang G06K 7/10732
 235/455
 2015/0021397 A1 * 1/2015 Rueblinger G06K 7/1443
 235/462.08
 2015/0071819 A1 * 3/2015 Todeschini A61L 2/0052
 422/24
 2015/0102109 A1 * 4/2015 Huck G06K 7/109
 235/462.14
 2015/0144698 A1 * 5/2015 Teng G06K 7/10594
 235/462.1
 2015/0193645 A1 * 7/2015 Colavito G06K 7/1443
 235/472.01
 2015/0220765 A1 * 8/2015 Carnevali G06K 7/10881
 235/462.45
 2015/0379838 A1 * 12/2015 Xie G08B 13/242
 340/572.3
 2016/0104019 A1 * 4/2016 Todeschini G06K 7/10732
 235/472.01
 2016/0163142 A1 * 6/2016 Auger G07D 7/20
 235/375

* cited by examiner

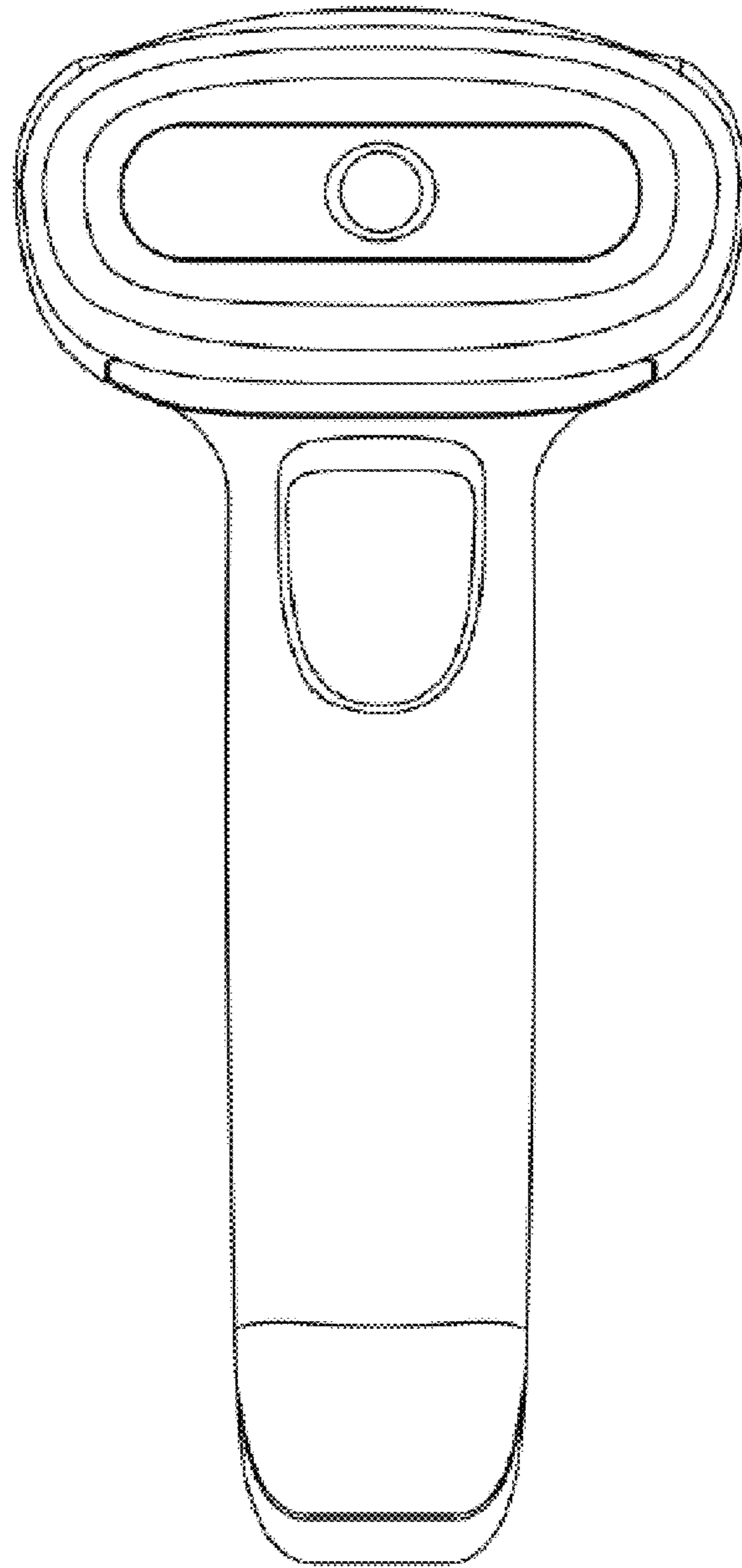


FIGURE 1

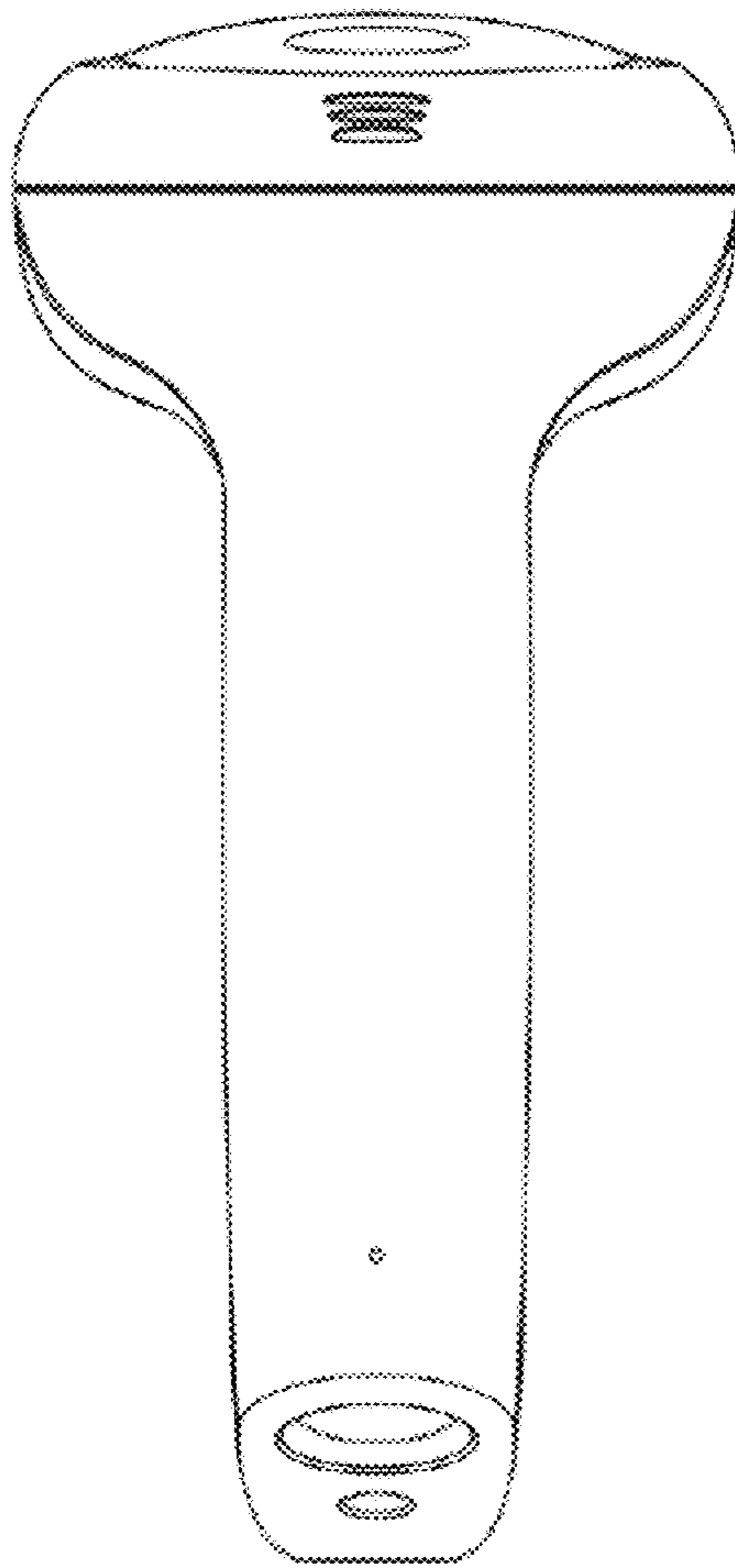


FIGURE 2

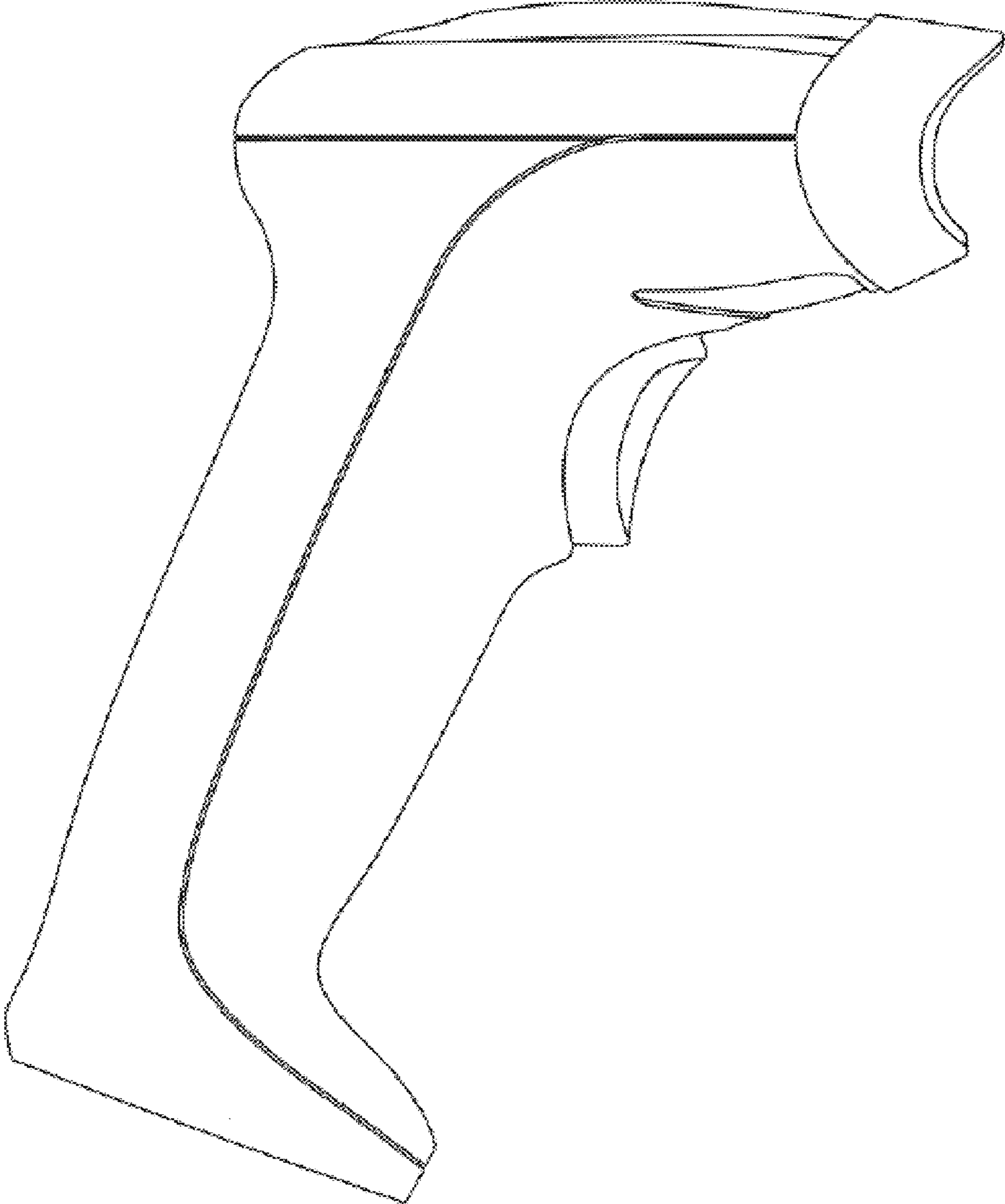


FIGURE 3

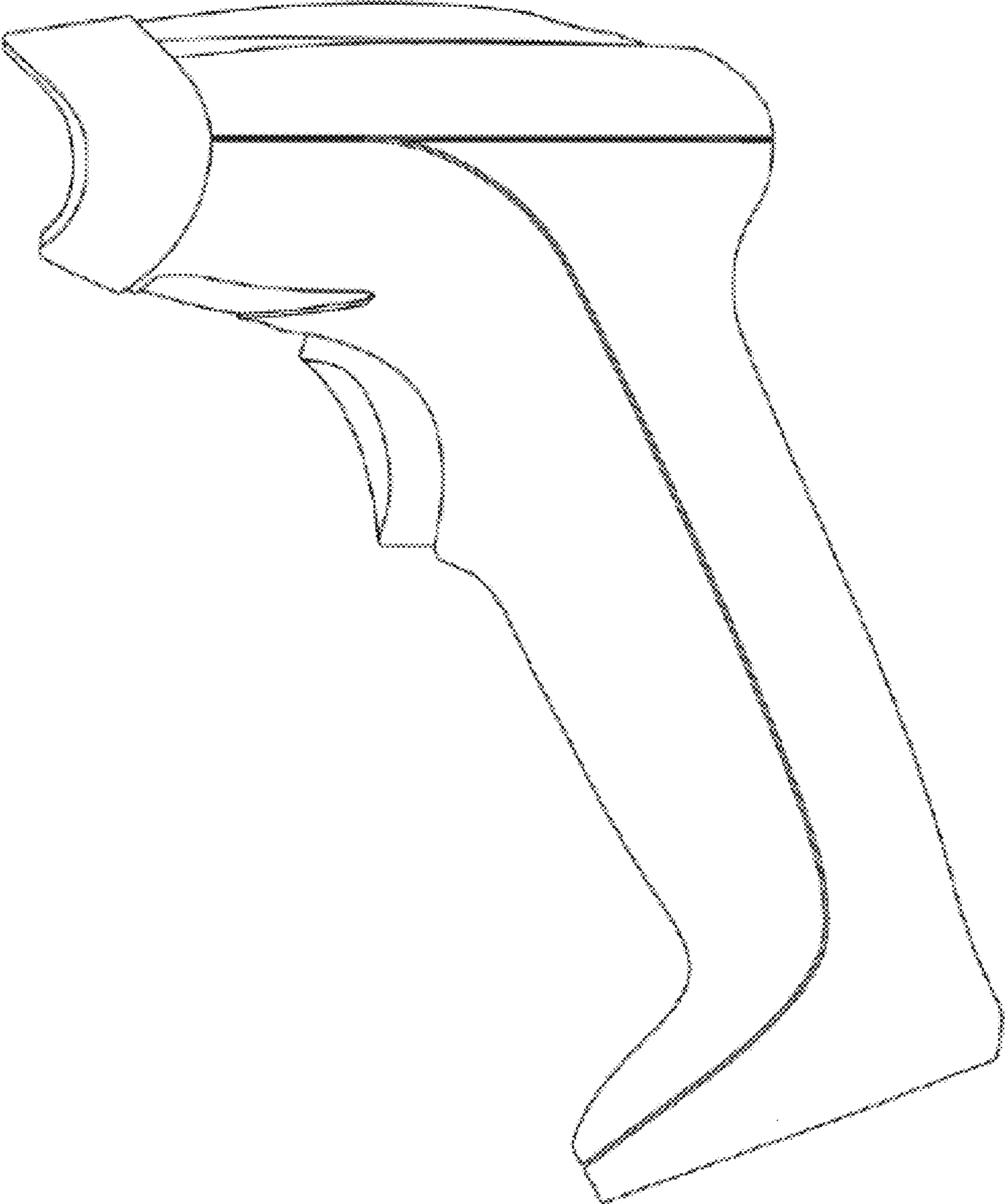


FIGURE 4

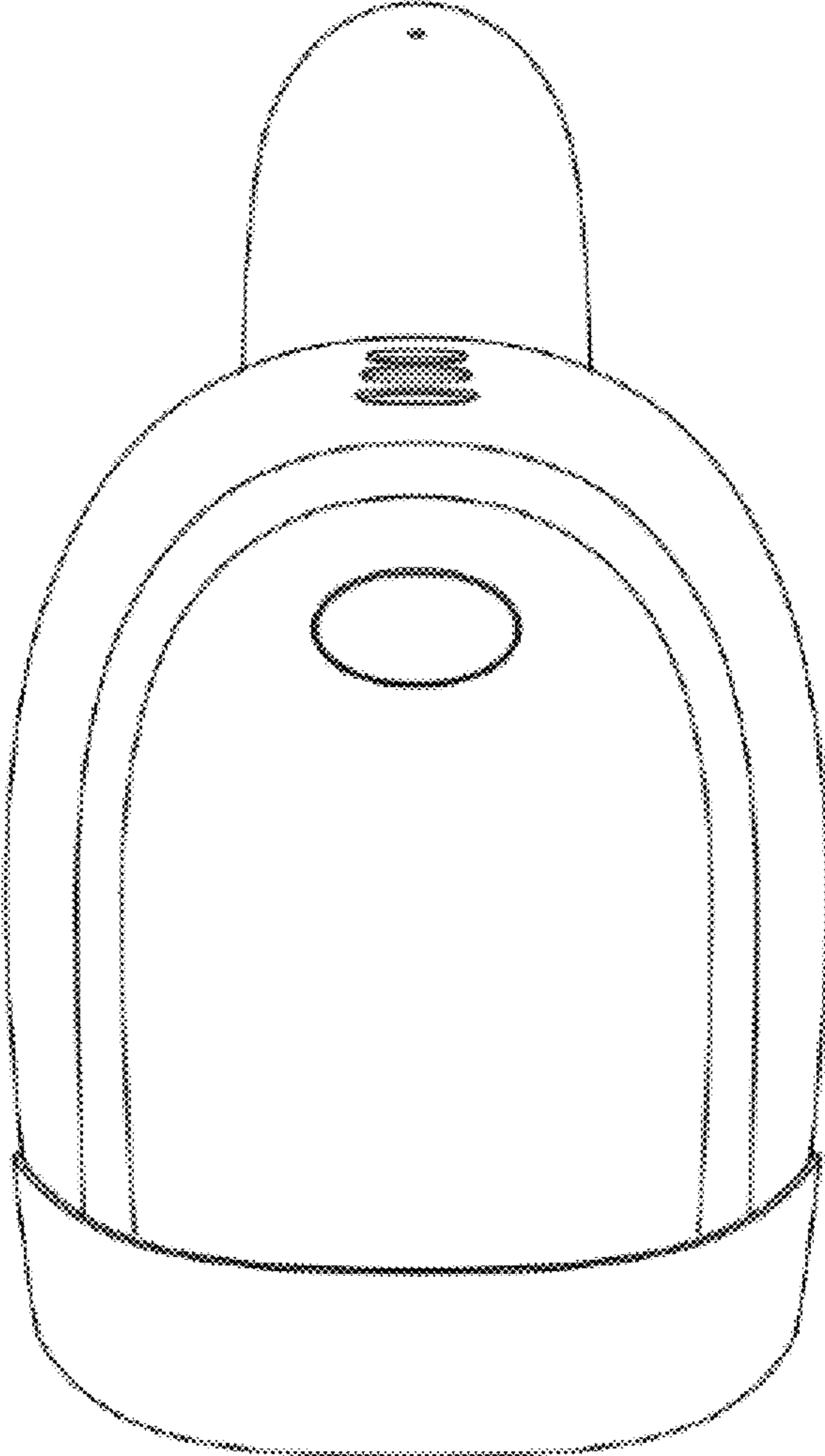


FIGURE 5

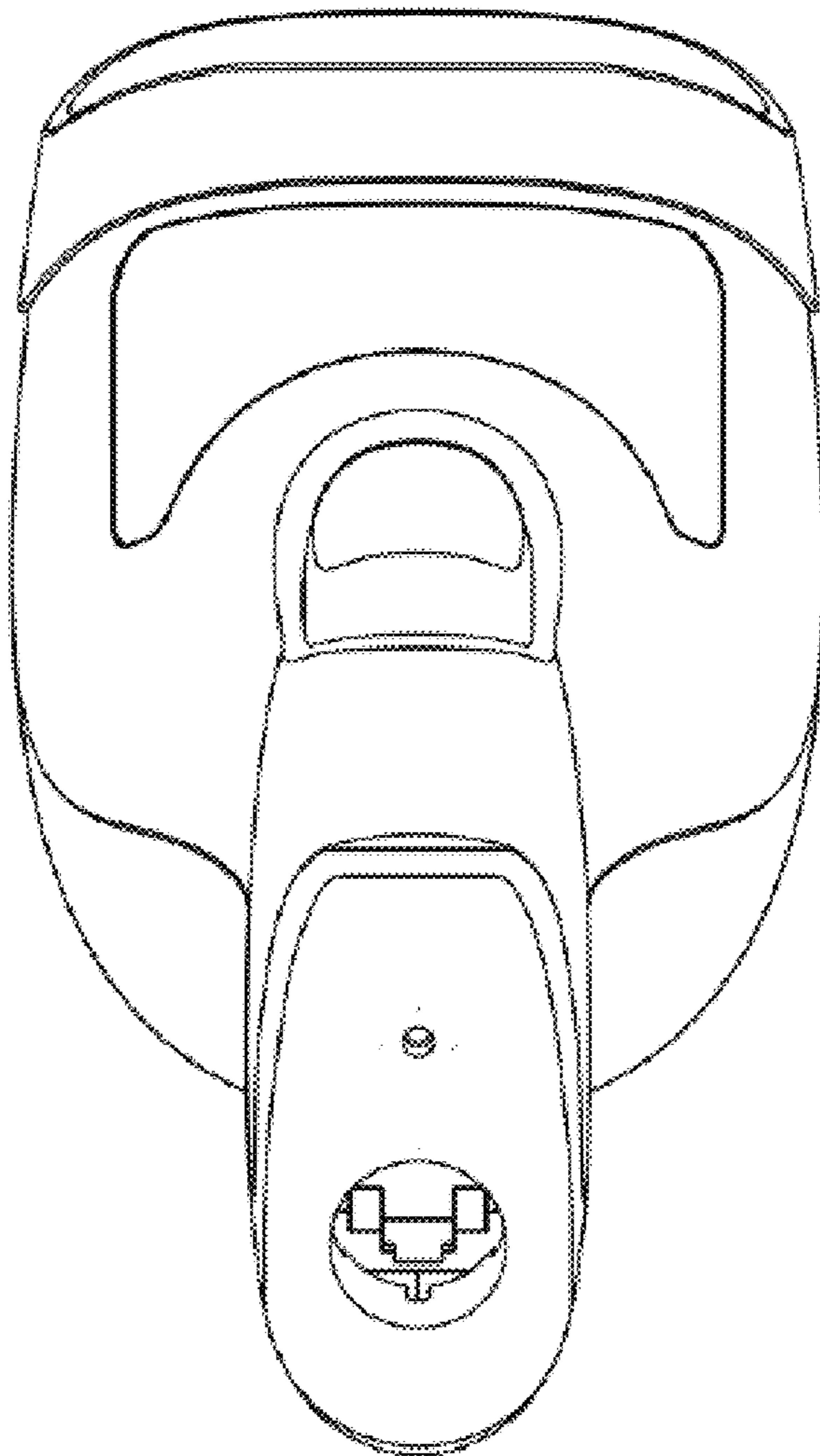


FIGURE 6

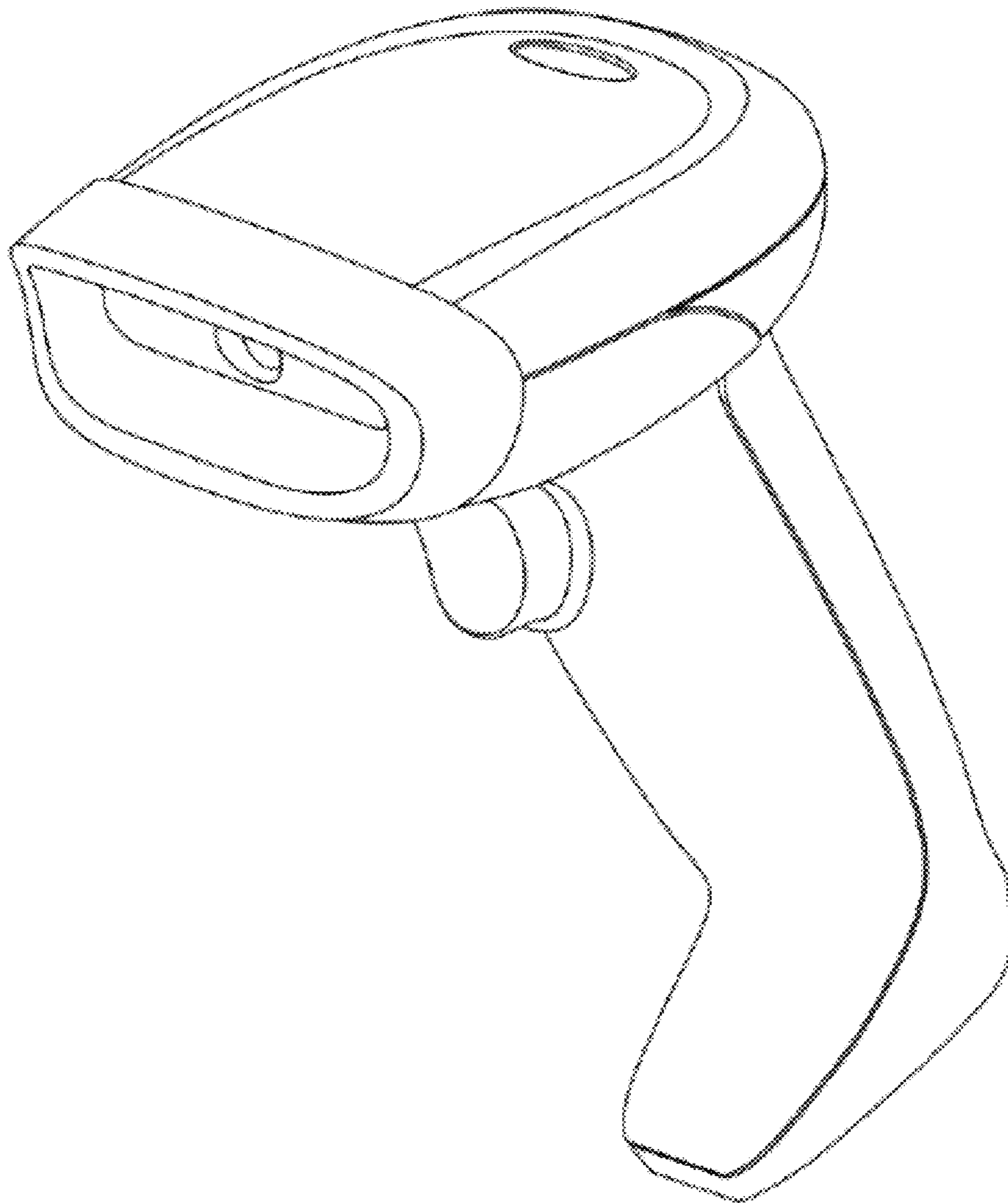


FIGURE 7