



US00D791133S

(12) **United States Design Patent**  
**Brownlee**

(10) **Patent No.:** **US D791,133 S**

(45) **Date of Patent:** **\*\* Jul. 4, 2017**

(54) **FINGERPRINT SCANNER**

(71) Applicant: **Silk ID Systems, Inc.**, Santa Clara, CA  
(US)

(72) Inventor: **Kenneth Brownlee**, Palo Alto, CA (US)

(73) Assignee: **SILK ID SYSTEMS**, Santa Clara, CA  
(US)

(\*\*) Term: **15 Years**

(21) Appl. No.: **29/532,105**

(22) Filed: **Jul. 1, 2015**

(51) **LOC (10) Cl.** ..... **14-02**

(52) **U.S. Cl.**  
USPC ..... **D14/384**

(58) **Field of Classification Search**  
USPC ..... D14/300–302, 313, 314, 341, 348–370,  
D14/383, 385, 432, 436, 496, 125, 135,  
D14/134, 155, 167, 168, 230, 231, 233,  
D14/235, 237, 240–242, 299; D10/65,  
D10/75, 78; D13/103, 149, 162, 184,  
D13/199; D18/4.4–4.6, 12.1, 56;  
361/679.31–679.45, 752; 711/100, 115;  
382/115, 124; 356/71; 235/380, 461,  
235/382, 472.01, 472.02; D3/201, 273  
CPC ..... G06K 9/00006; G06K 7/0013; G06K  
9/00026; G06F 21/00; G06Q 30/00  
See application file for complete search history.

(56) **References Cited**

U.S. PATENT DOCUMENTS

D348,445 S \* 7/1994 Fishbine ..... D14/384  
D425,881 S \* 5/2000 Borza ..... D14/384  
D478,905 S \* 8/2003 Byrne ..... D14/384

D522,510 S \* 6/2006 Su ..... D14/384  
D593,559 S \* 6/2009 Lin ..... D14/384  
D701,860 S \* 4/2014 Daniel ..... D14/307

(Continued)

*Primary Examiner* — Austin Murphy

(74) *Attorney, Agent, or Firm* — Pillsbury Winthrop Shaw  
Pittman LLP

(57) **CLAIM**

The ornamental design for a fingerprint scanner, as shown  
and described.

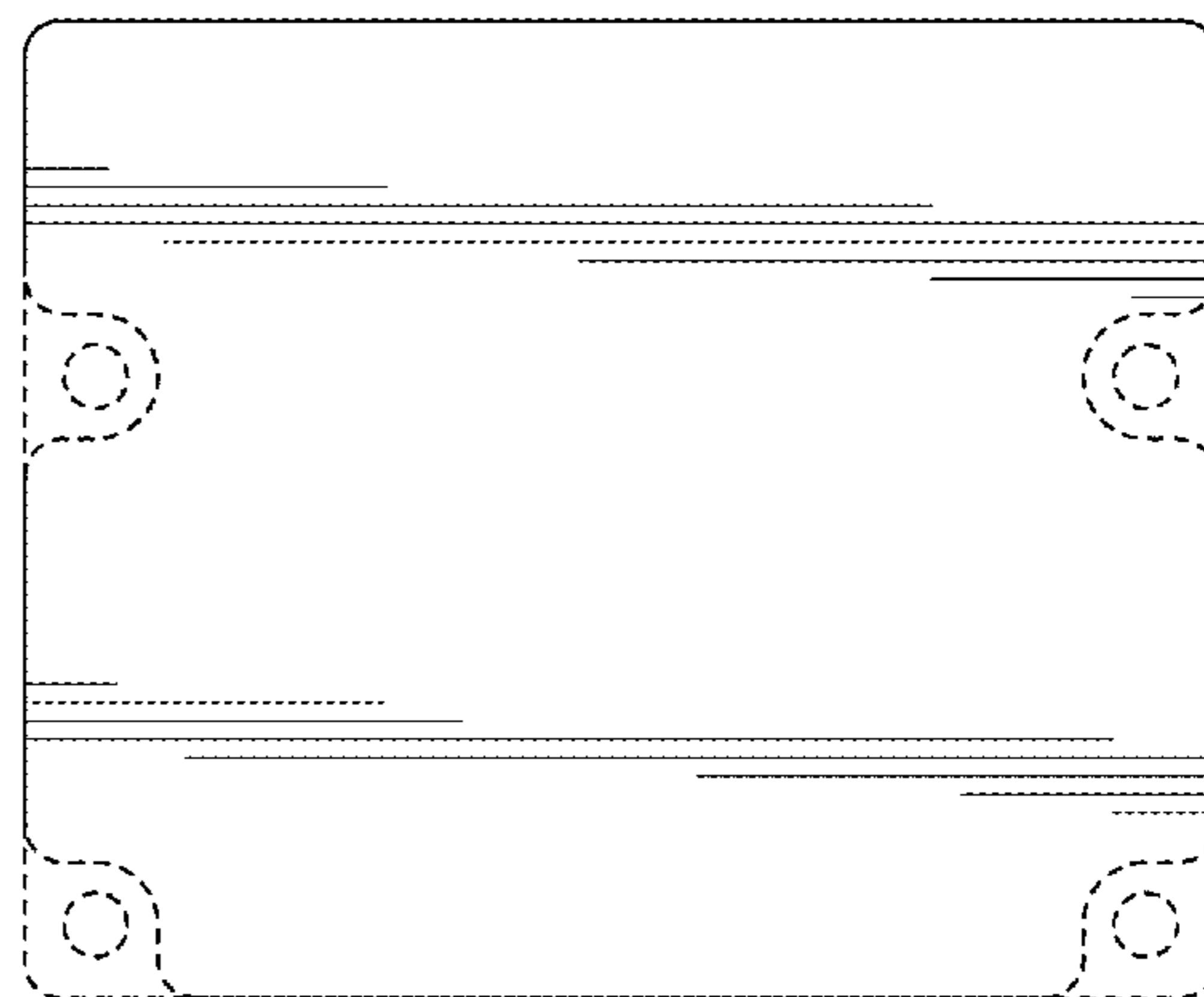
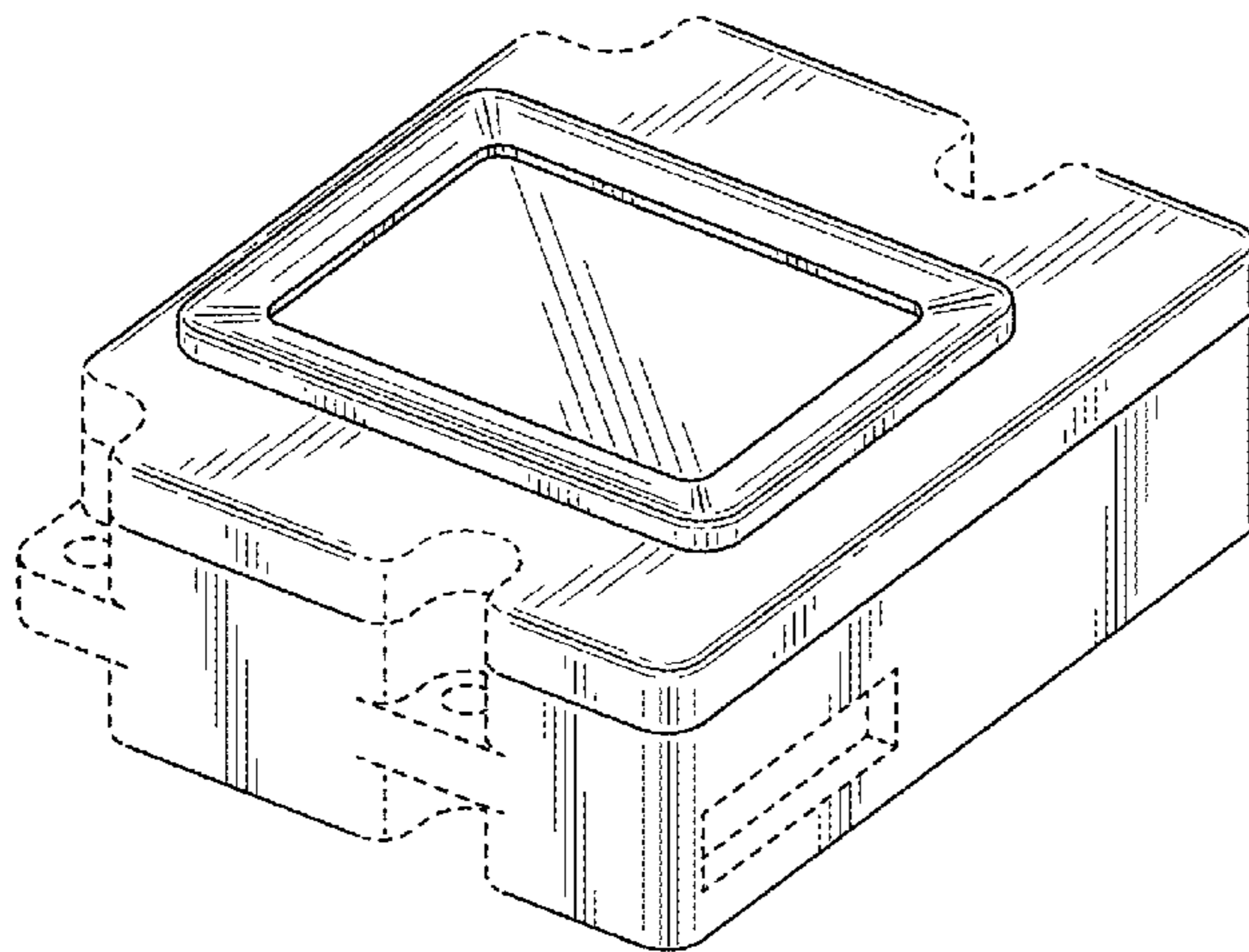
**DESCRIPTION**

FIG. 1 is a perspective view of a fingerprint scanner  
embodying an aspect of the design;  
FIG. 2 is a top view of the fingerprint scanner of FIG. 1;  
FIG. 3 is a bottom view of the fingerprint scanner of FIG. 1;  
FIG. 4 is a front view of the fingerprint scanner of FIG. 1;  
FIG. 5 is a back view of the fingerprint scanner of FIG. 1;  
FIG. 6 is a right side view of the fingerprint scanner of FIG.  
1; and  
FIG. 7 is a left side view of the fingerprint scanner of FIG.  
1.

In accordance with a second embodiment:  
FIG. 8 is a perspective view of a fingerprint scanner  
embodying another aspect of the design incorporating a  
decorative illuminated bar;  
FIG. 9 is a top view of the fingerprint scanner of FIG. 8;  
FIG. 10 is a bottom view of the fingerprint scanner of FIG.  
8;  
FIG. 11 is a front view of the fingerprint scanner of FIG. 8;  
FIG. 12 is a back view of the fingerprint scanner of FIG. 8;  
FIG. 13 is a right side view of the fingerprint scanner of FIG.  
8; and,  
FIG. 14 is a left side view of the fingerprint scanner of FIG.  
8.

The subject matter in broken lines is disclaimed and forms  
no part of the claimed design.

**1 Claim, 6 Drawing Sheets**



(56)

**References Cited**

U.S. PATENT DOCUMENTS

D711,875 S *	8/2014	Daniel .....	D14/385
D715,800 S *	10/2014	Cornelison .....	D14/384
D730,355 S *	5/2015	Daniel .....	D14/307
D741,328 S *	10/2015	Li .....	D14/384
D741,862 S *	10/2015	Beroukhim .....	D14/384
D751,076 S *	3/2016	Buesseler .....	D14/385
D755,179 S *	5/2016	Wong .....	D14/384

\* cited by examiner

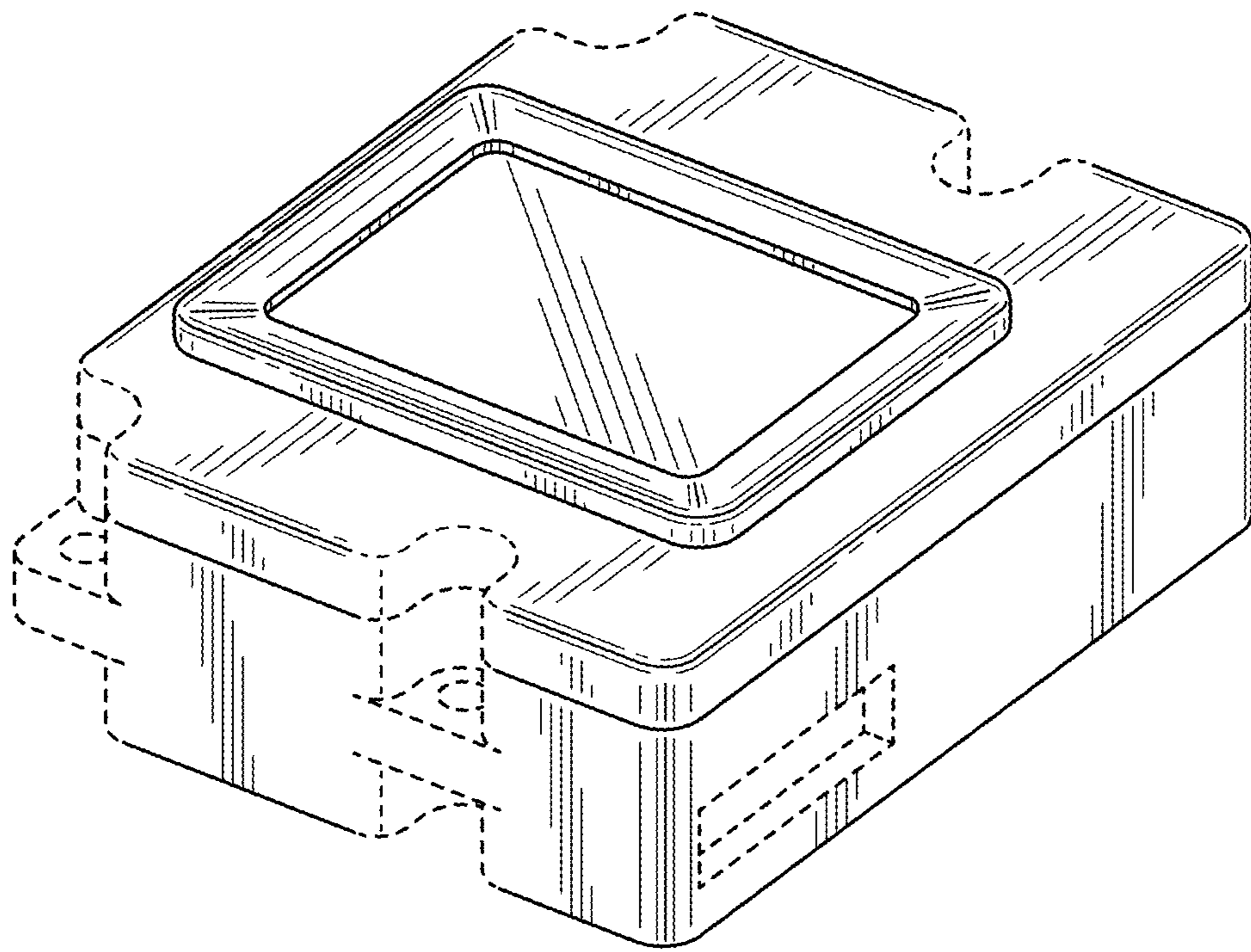


FIG. 1

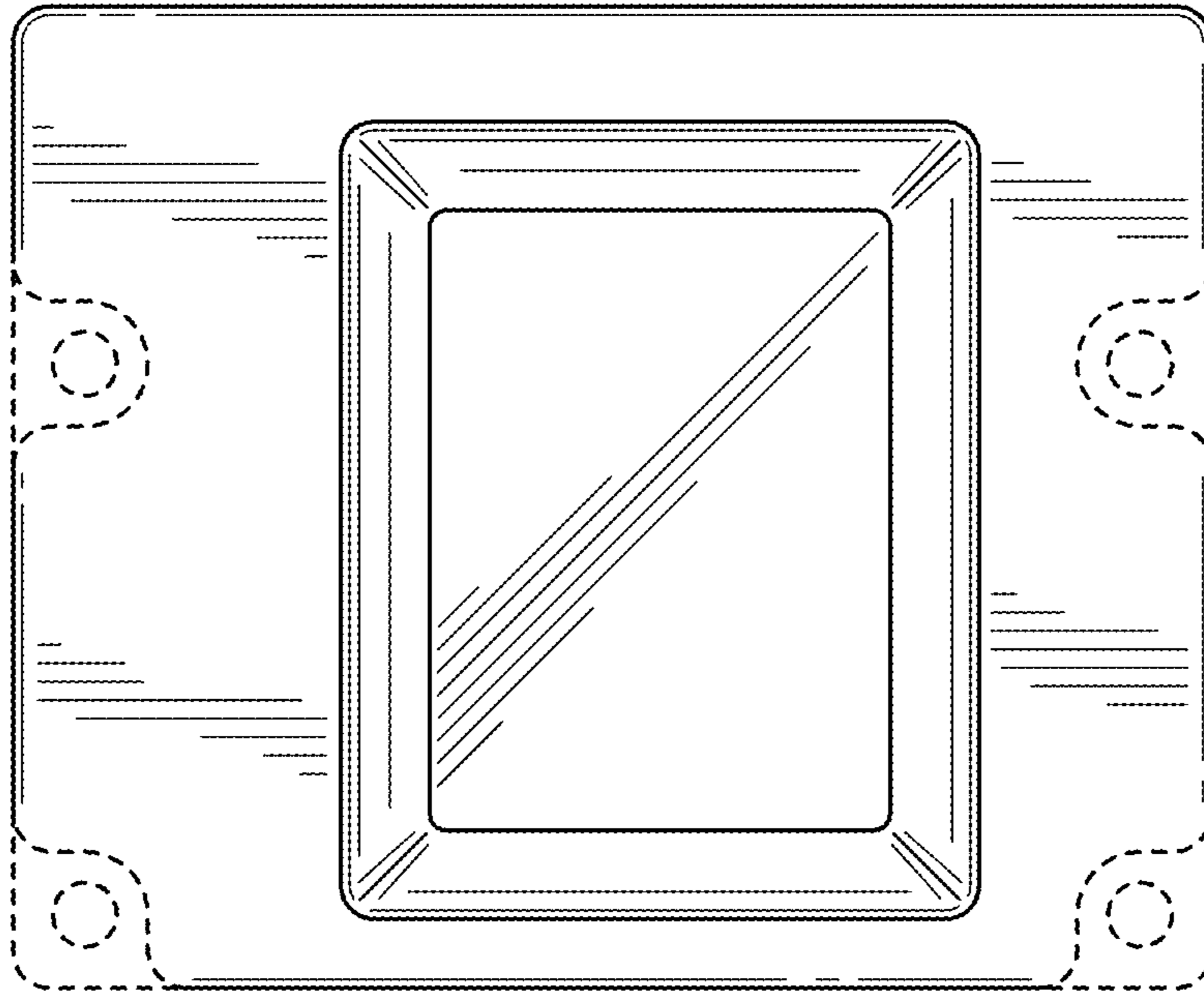


FIG. 2

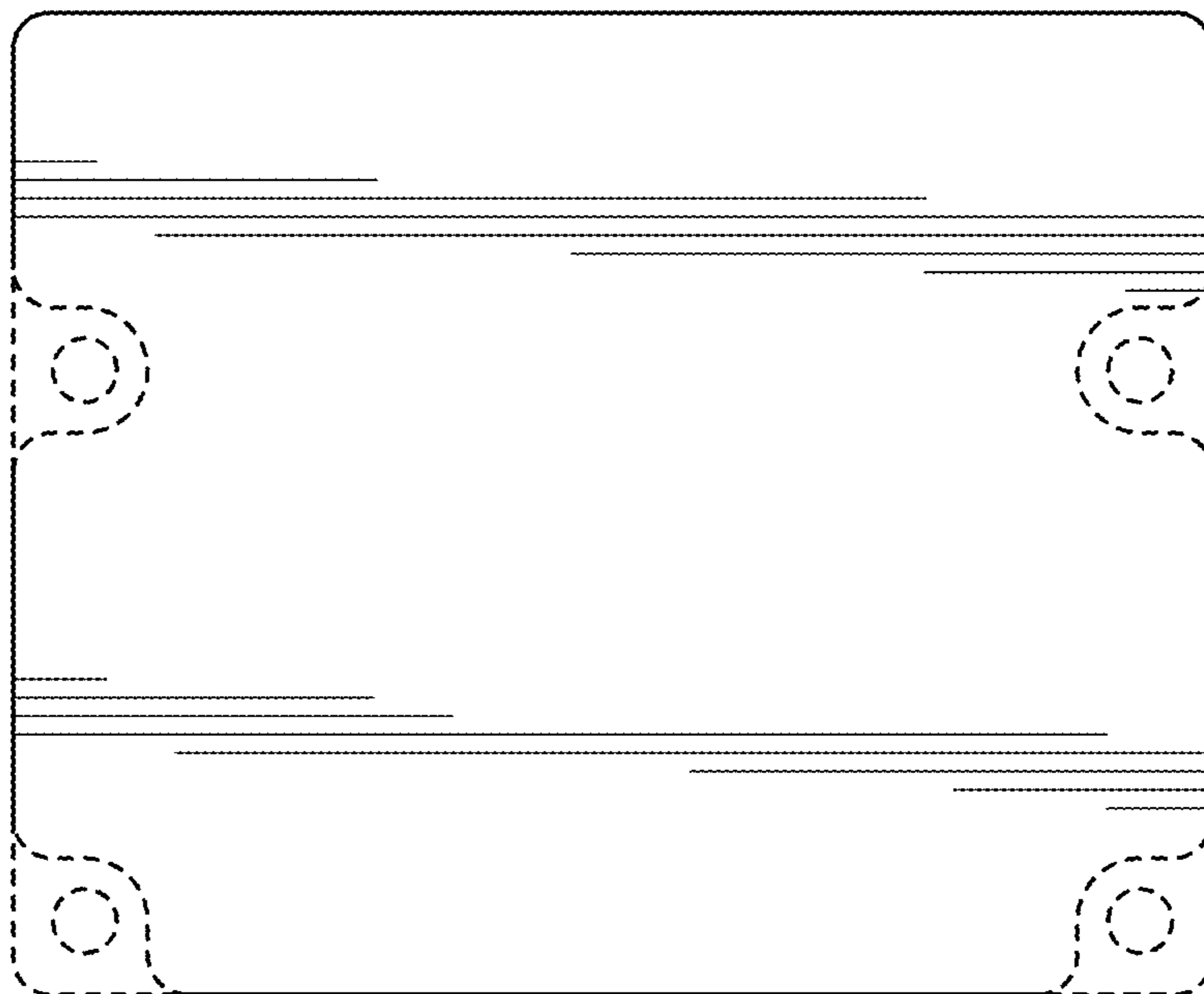


FIG. 3

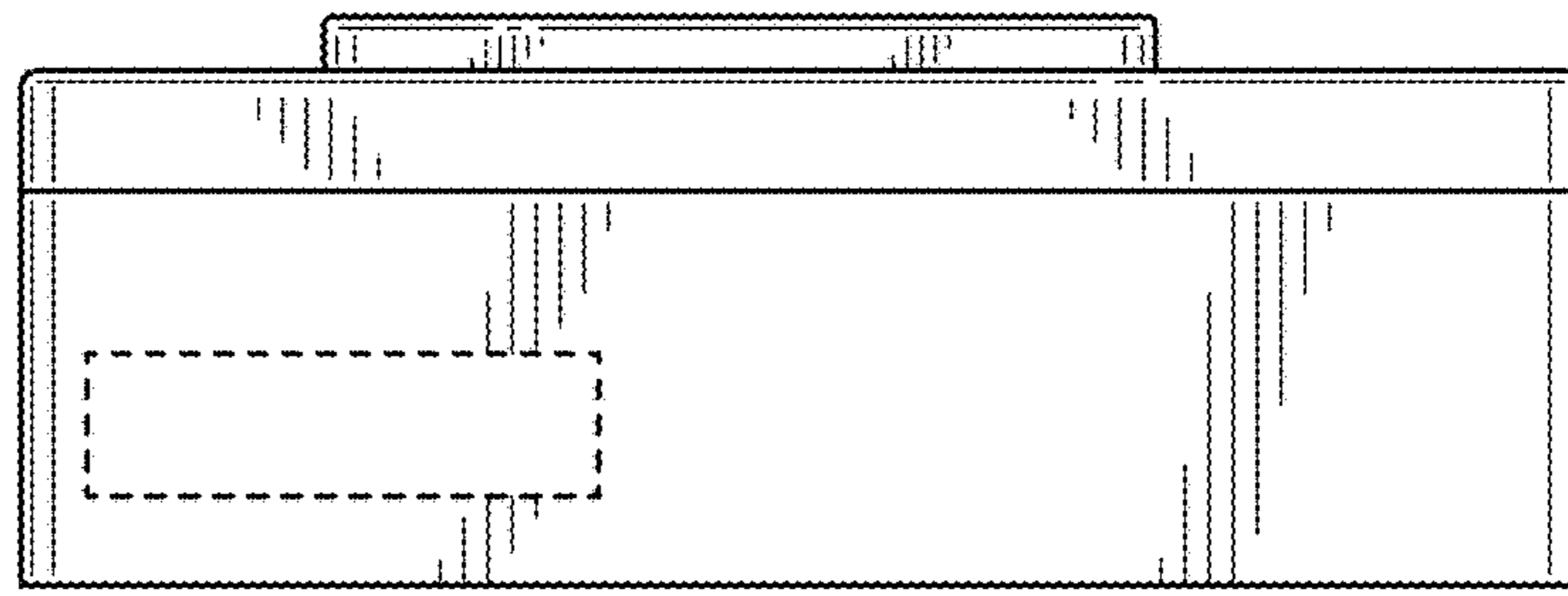


FIG. 4

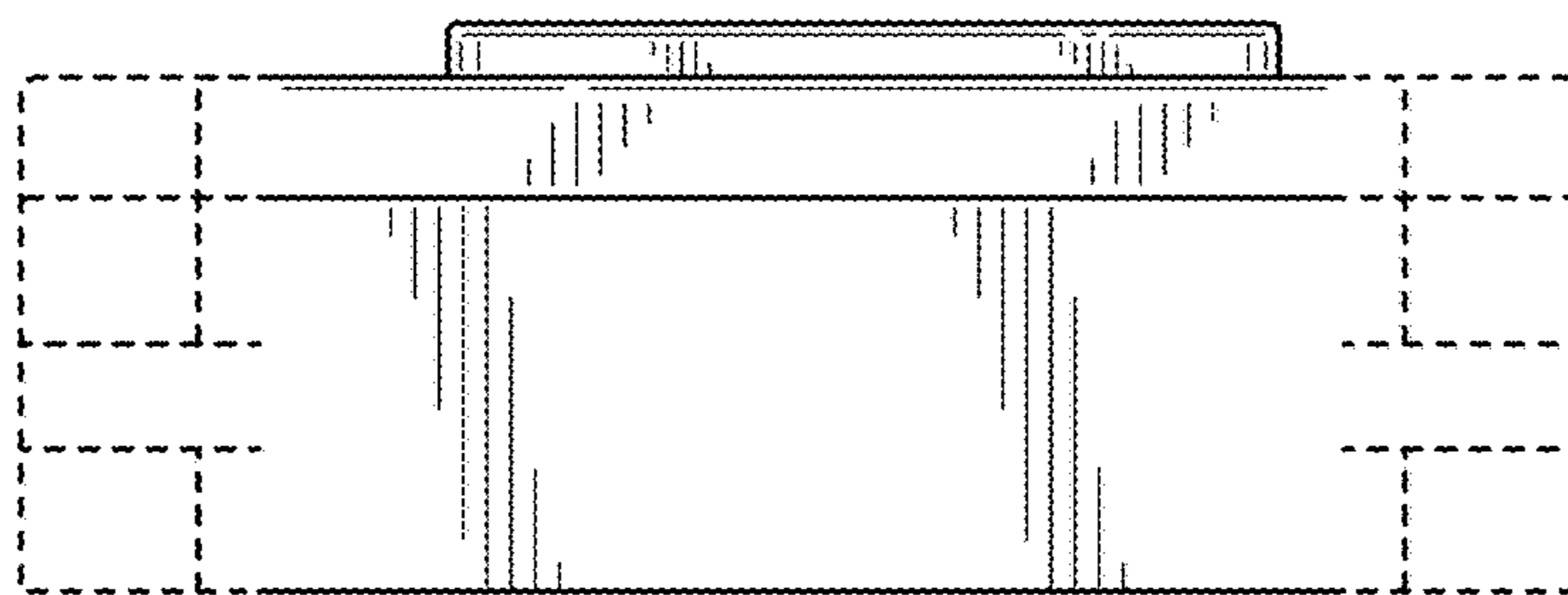


FIG. 5

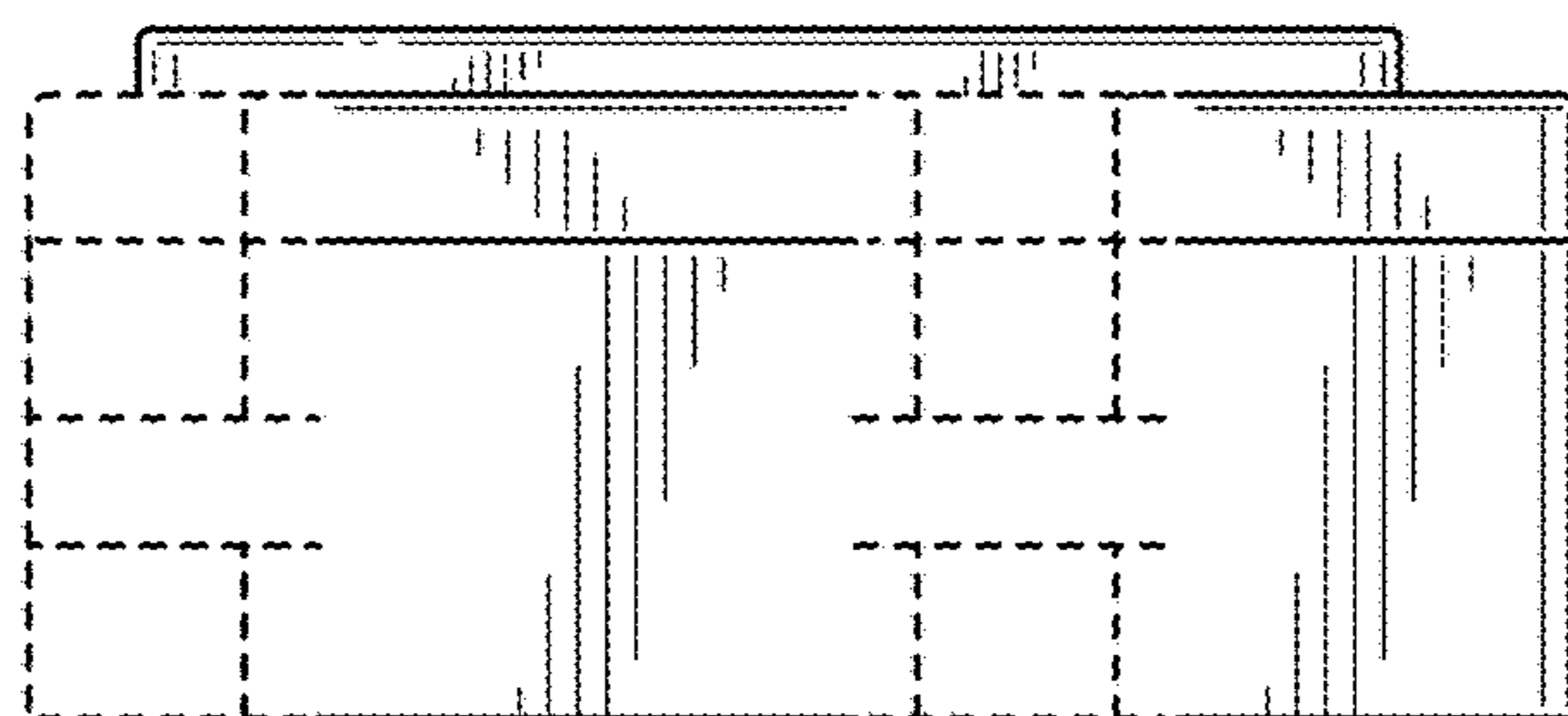


FIG. 6

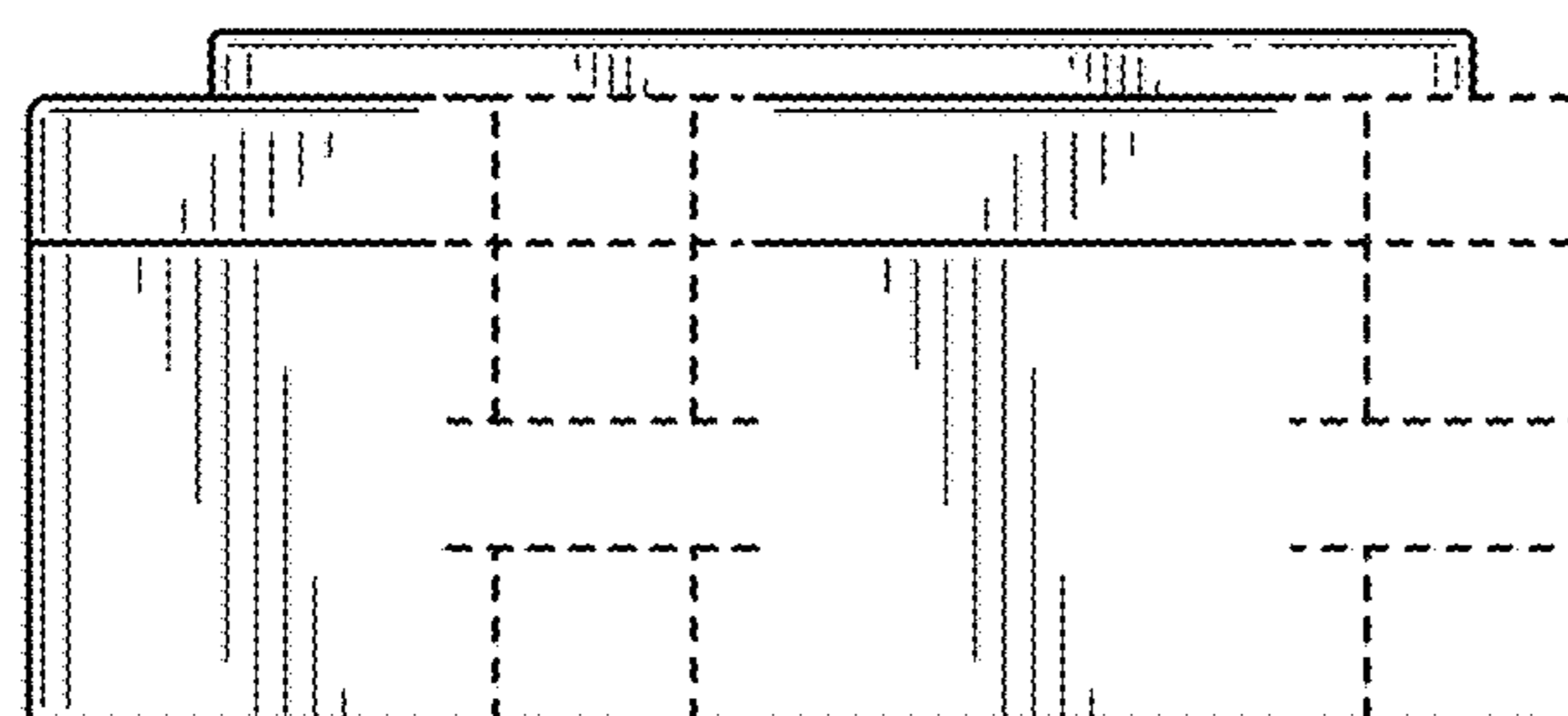


FIG. 7

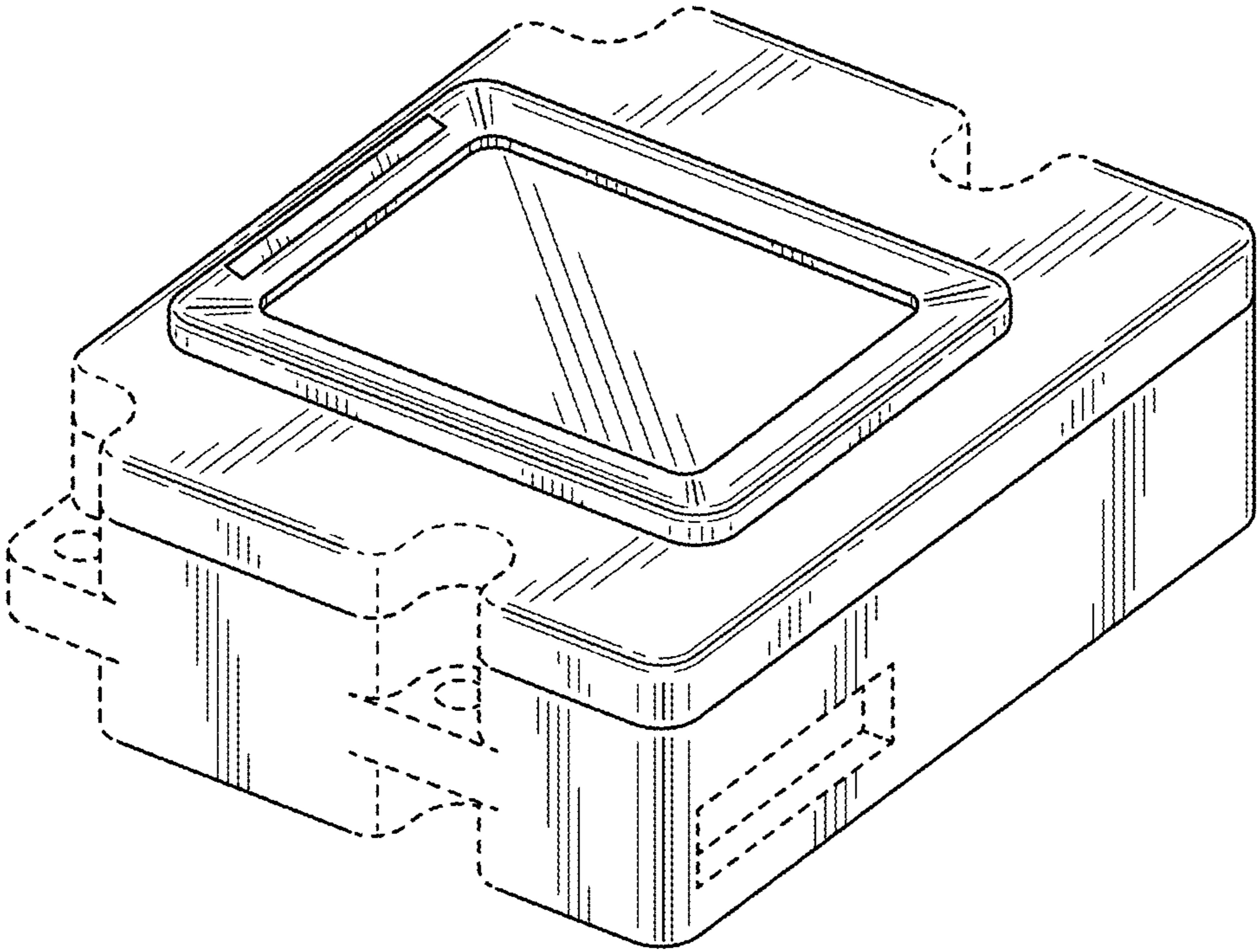


FIG. 8

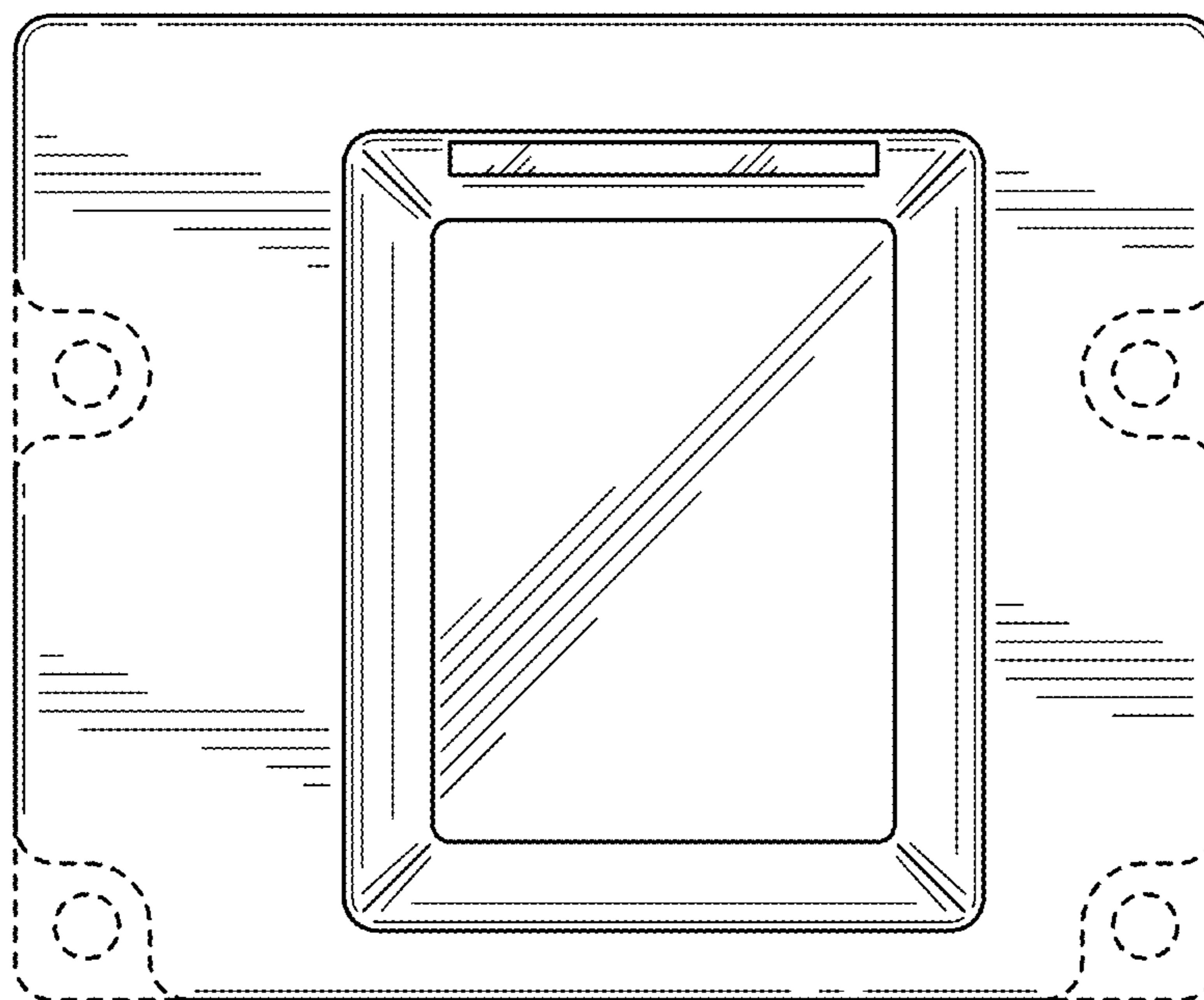


FIG. 9

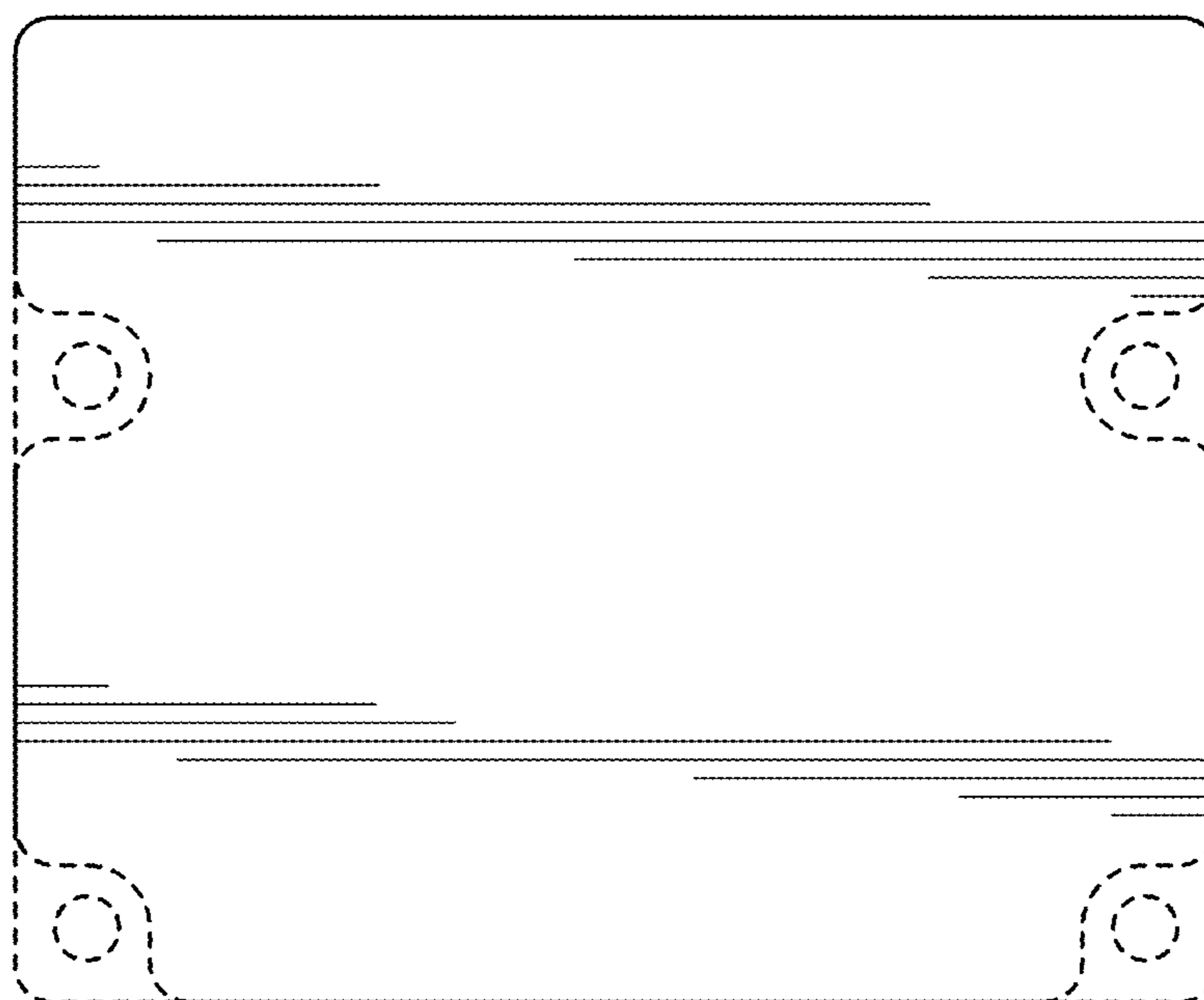


FIG. 10

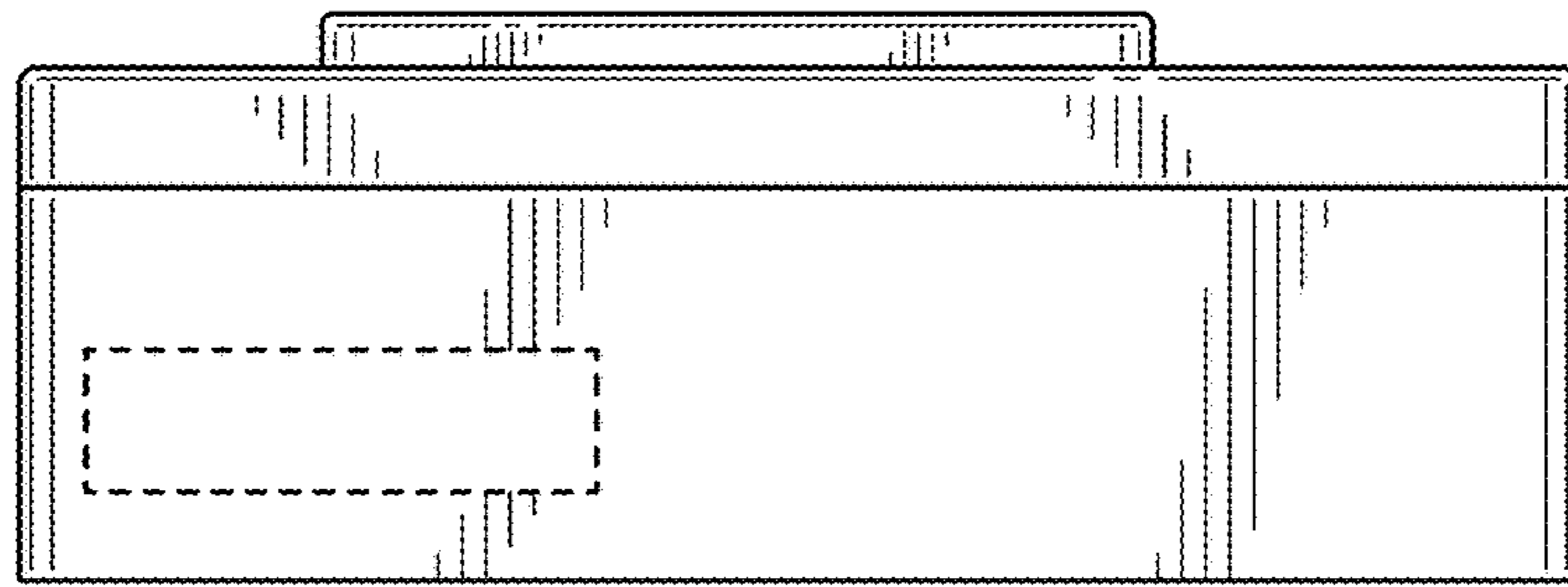


FIG. 11

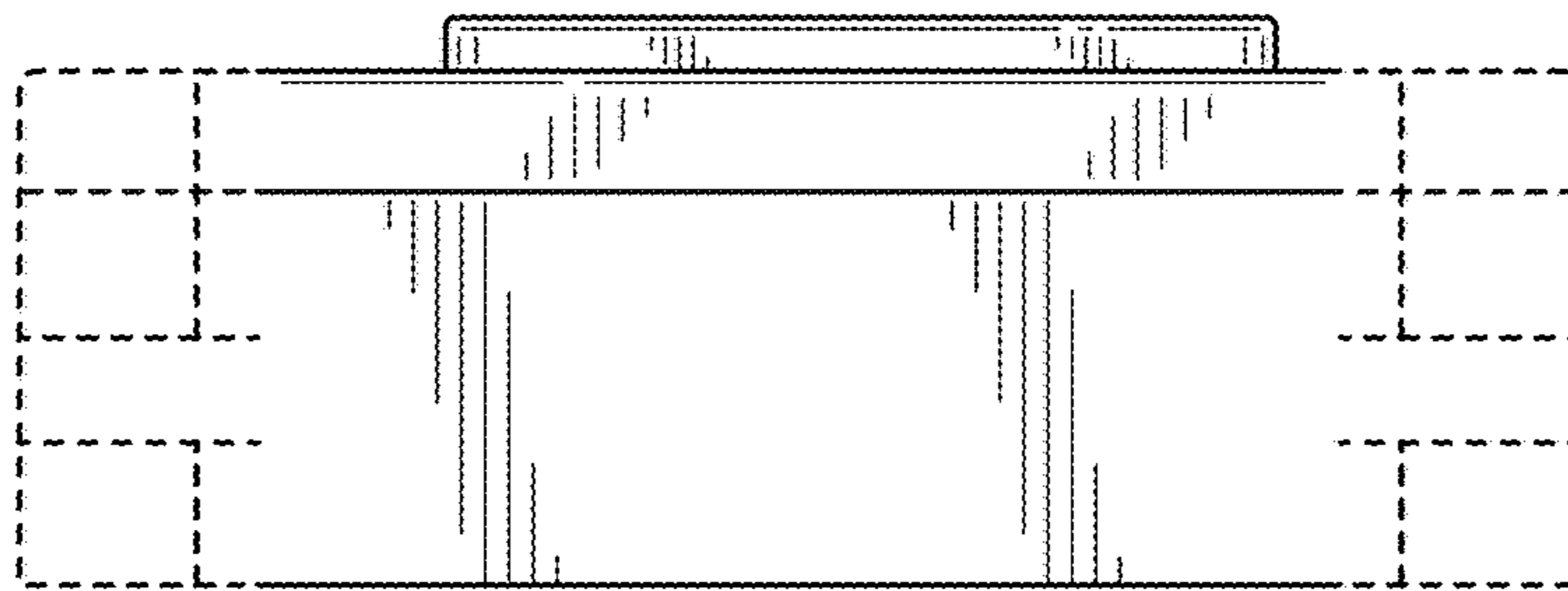


FIG. 12

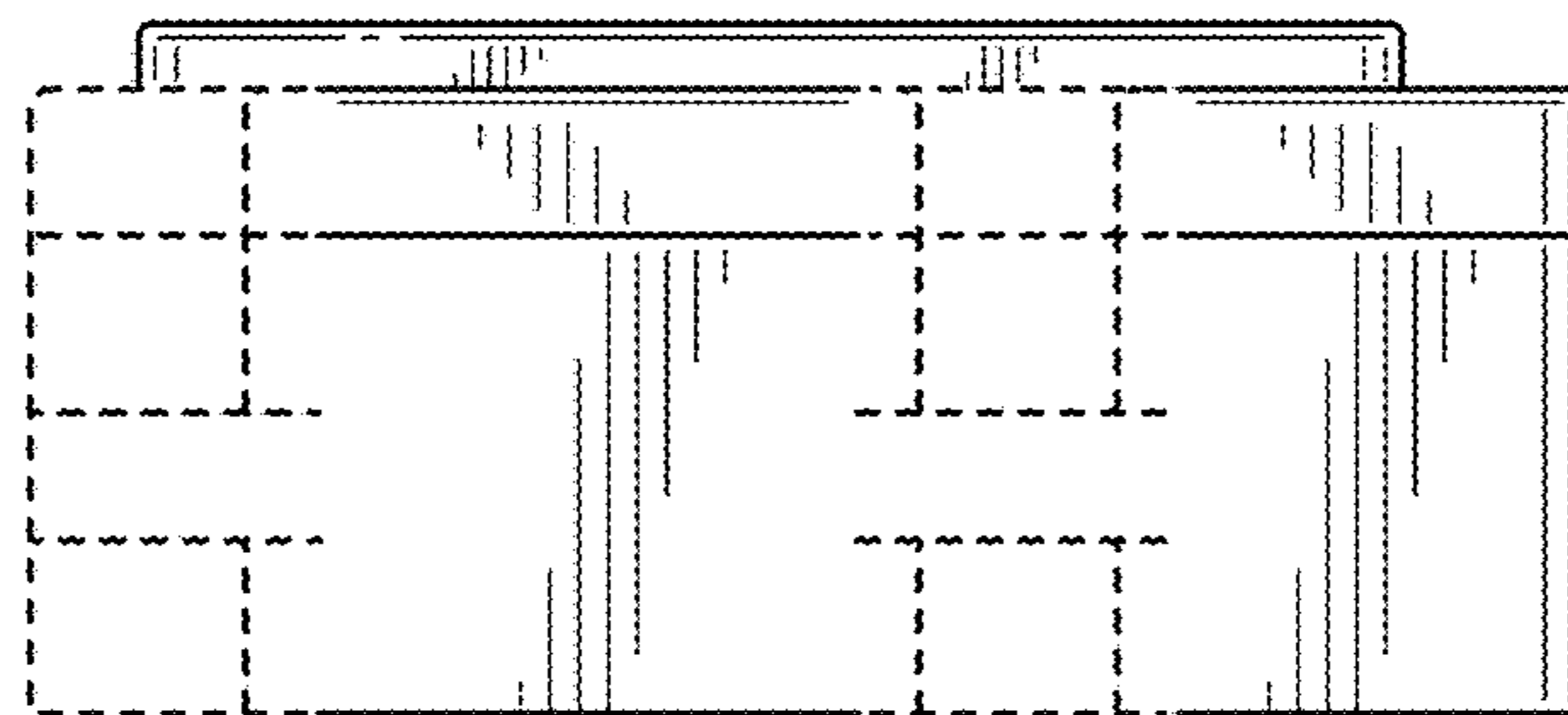


FIG. 13

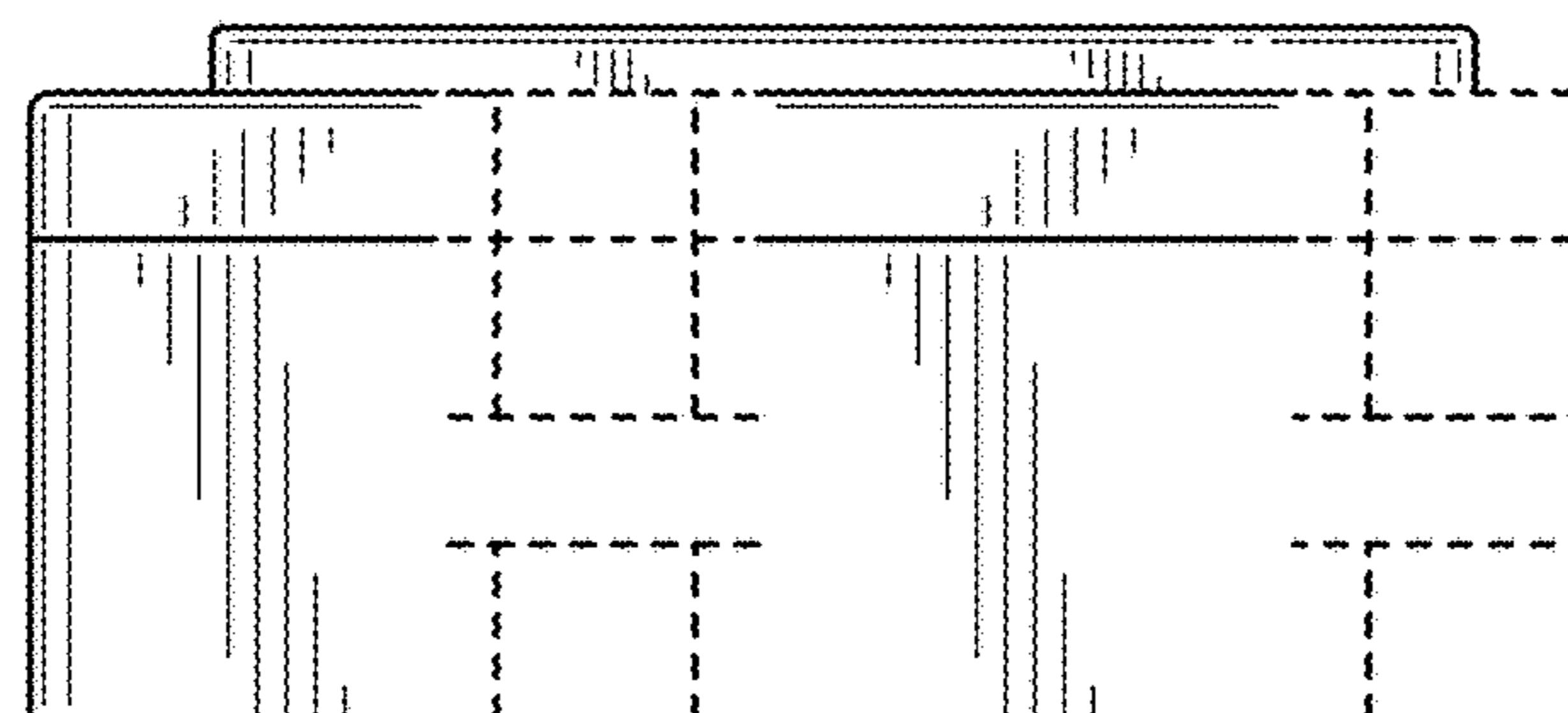


FIG. 14