



US00D791132S

(12) **United States Design Patent** (10) **Patent No.:** **US D791,132 S**
Oh et al. (45) **Date of Patent:** **** Jul. 4, 2017**

(54) **MONITOR**

(71) Applicant: **LG ELECTRONICS INC.**, Seoul (KR)
 (72) Inventors: **Sunghoon Oh**, Seoul (KR); **Sooyoung Park**, Seoul (KR); **Jaeneung Jung**, Seoul (KR)
 (73) Assignee: **LG ELECTRONICS INC.**, Seoul (KR)
 (**) Term: **15 Years**
 (21) Appl. No.: **29/560,324**
 (22) Filed: **Apr. 5, 2016**

(30) **Foreign Application Priority Data**

Oct. 6, 2015 (KR) 30-2015-0050323

(51) **LOC (10) Cl.** **14-02**

(52) **U.S. Cl.**
USPC **D14/374**

(58) **Field of Classification Search**

USPC D14/371-375, 125-129, 336, 337, 341, D14/239; 341/12; 345/104, 156, 168, 345/173; 348/180, 184, 325, 739; 349/1, 349/2, 11, 62; 361/679.05-679.07, 361/679.21; D6/300, 308
 CPC G06F 1/16; G06F 1/1601; G06F 3/037; G06F 1/162; G06F 1/1613; G06F 1/133308; F16M 11/02; F16M 11/10; F16M 11/00; F16M 11/06; F16M 11/18; F16M 11/045; F16M 11/105; F16M 11/041; F16M 11/126

See application file for complete search history.

(56) **References Cited**

U.S. PATENT DOCUMENTS

D620,903 S *	8/2010	Song	D14/126
D643,390 S *	8/2011	Han	D14/126
D659,662 S *	5/2012	Lv	D14/126
D669,870 S *	10/2012	Kim	D14/126
D682,227 S *	5/2013	Lee	D14/126
D710,320 S *	8/2014	Kim	D14/126
D725,616 S *	3/2015	Oh	D14/126
D745,864 S *	12/2015	Jung	D14/239

* cited by examiner

Primary Examiner — Freda S Nunn

(74) *Attorney, Agent, or Firm* — Birch, Stewart, Kolasch & Birch, LLP

(57) **CLAIM**

The ornamental design for a monitor, as shown and described.

DESCRIPTION

FIG. 1 is a front, right side, perspective view of a monitor showing our new design;
 FIG. 2 is a front view thereof;
 FIG. 3 is a rear view thereof;
 FIG. 4 is a left side view thereof;
 FIG. 5 is a right side view thereof;
 FIG. 6 is a top view thereof; and,
 FIG. 7 is a bottom view thereof.
 The broken lines indicate unclaimed portion of the article that form no part of the claimed design.

1 Claim, 6 Drawing Sheets

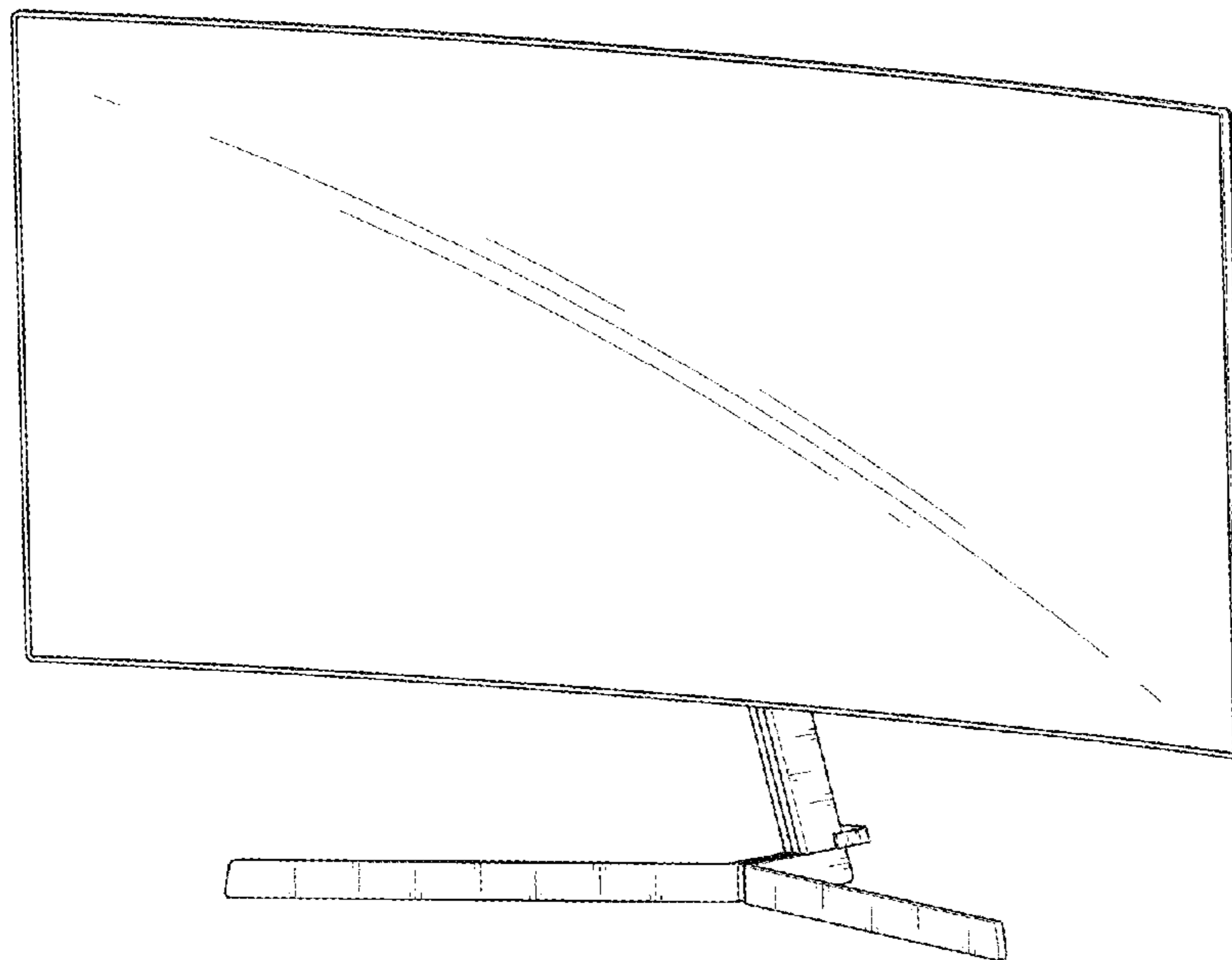


FIG. 1

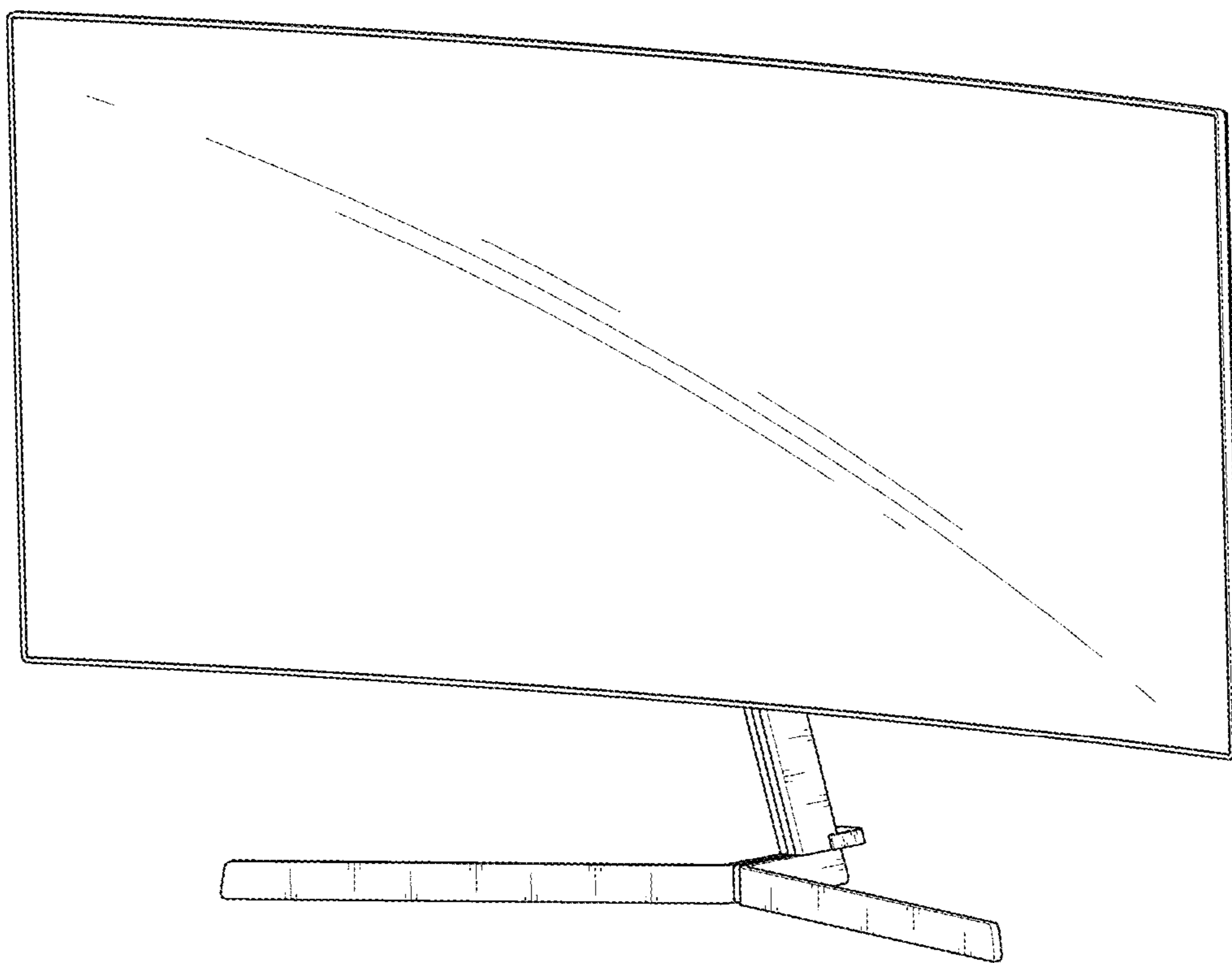


FIG. 2

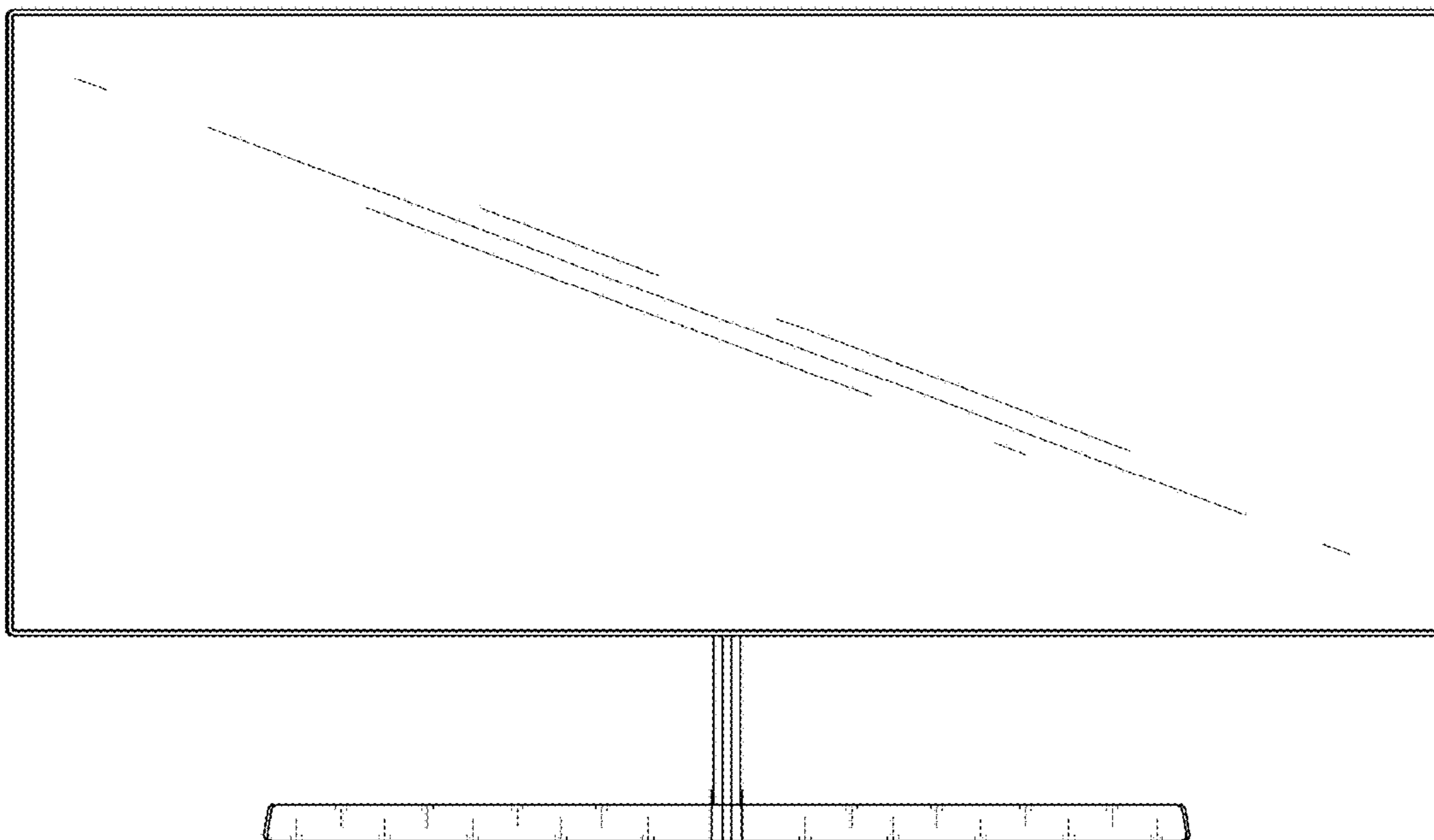


FIG. 3

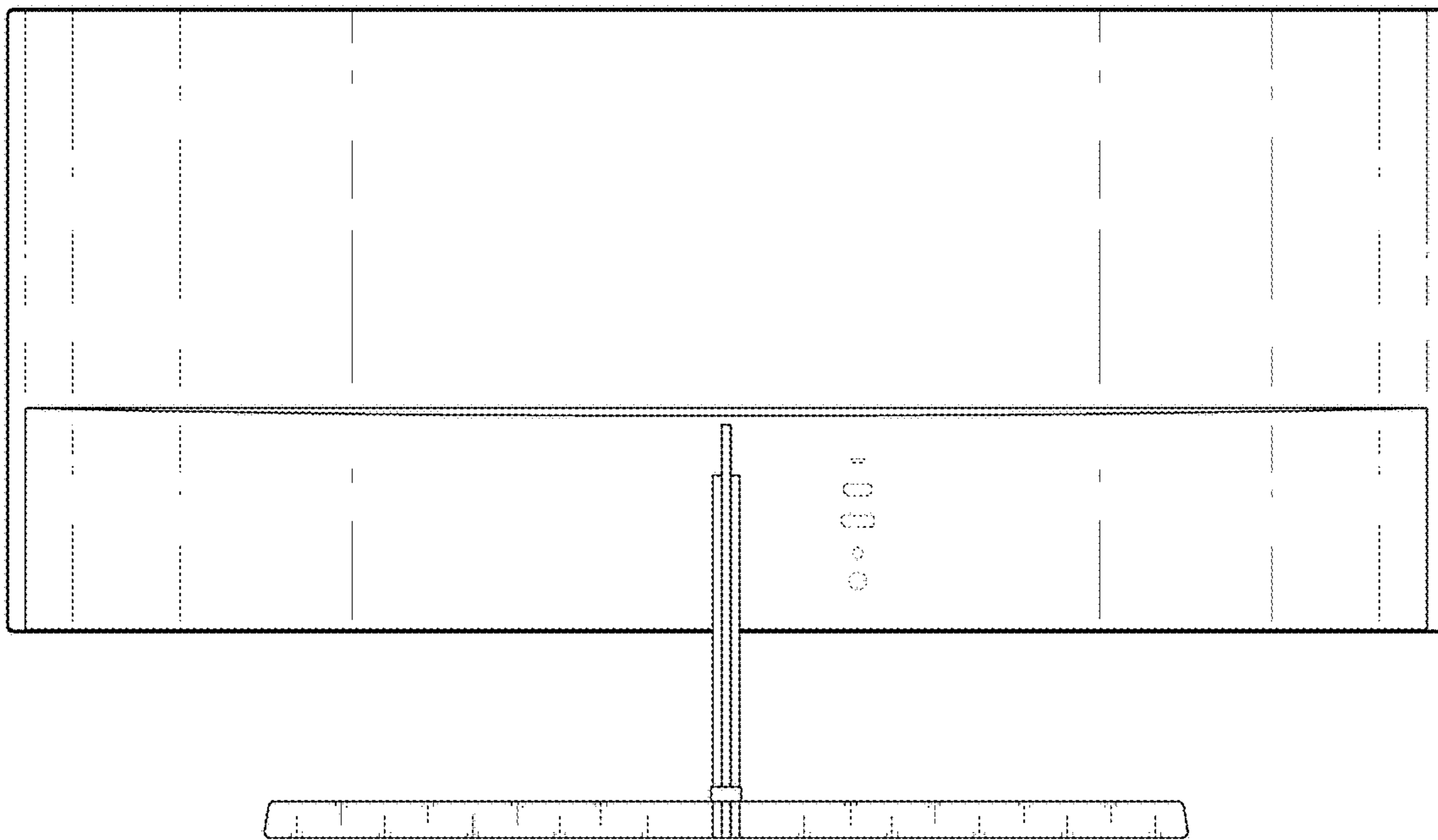


FIG. 4

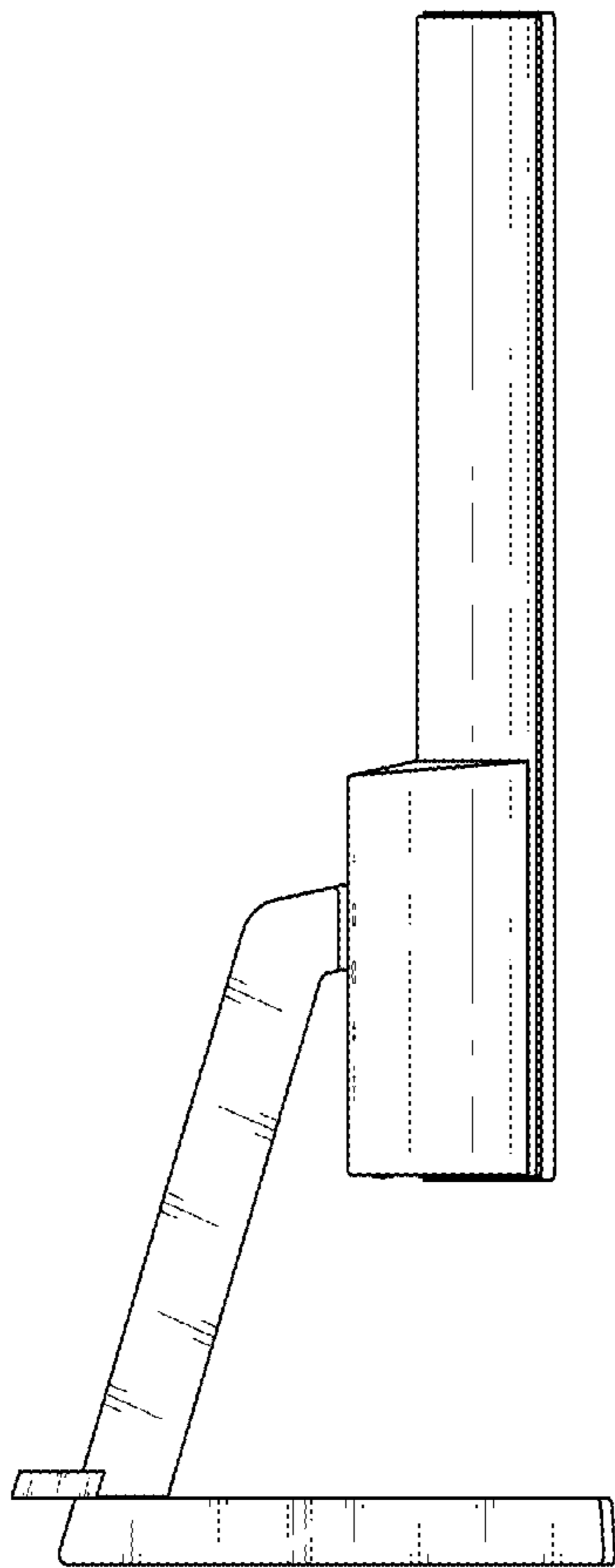


FIG. 5

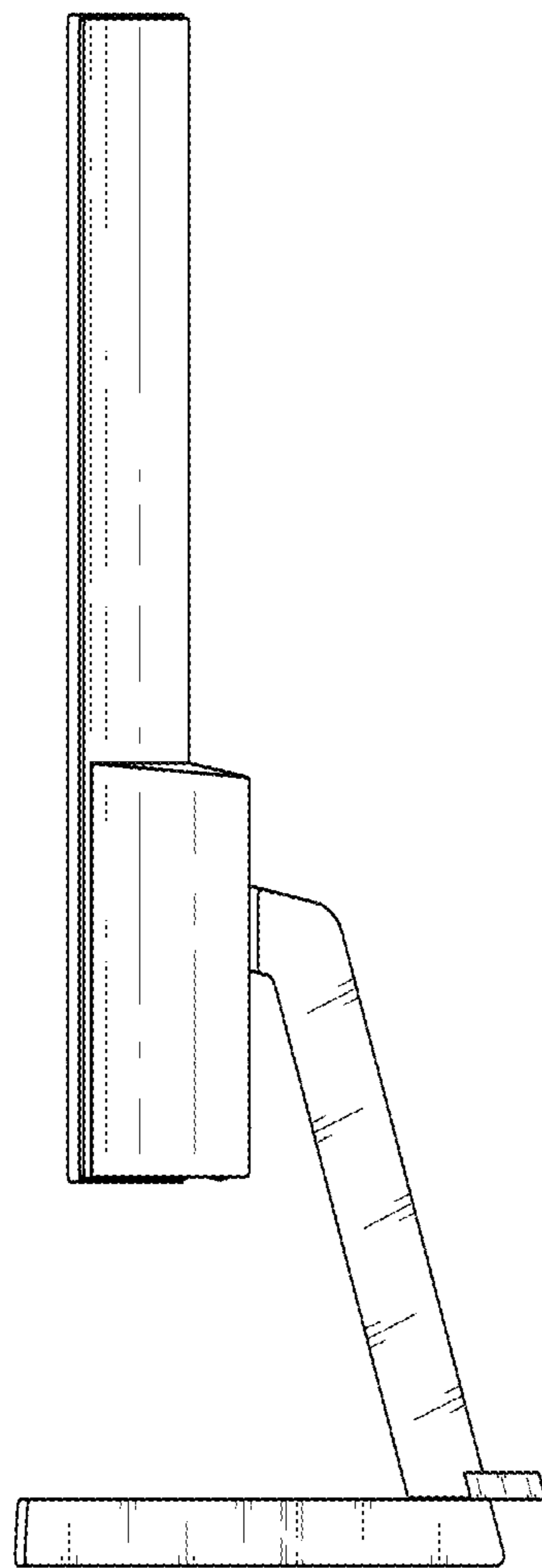


FIG. 6

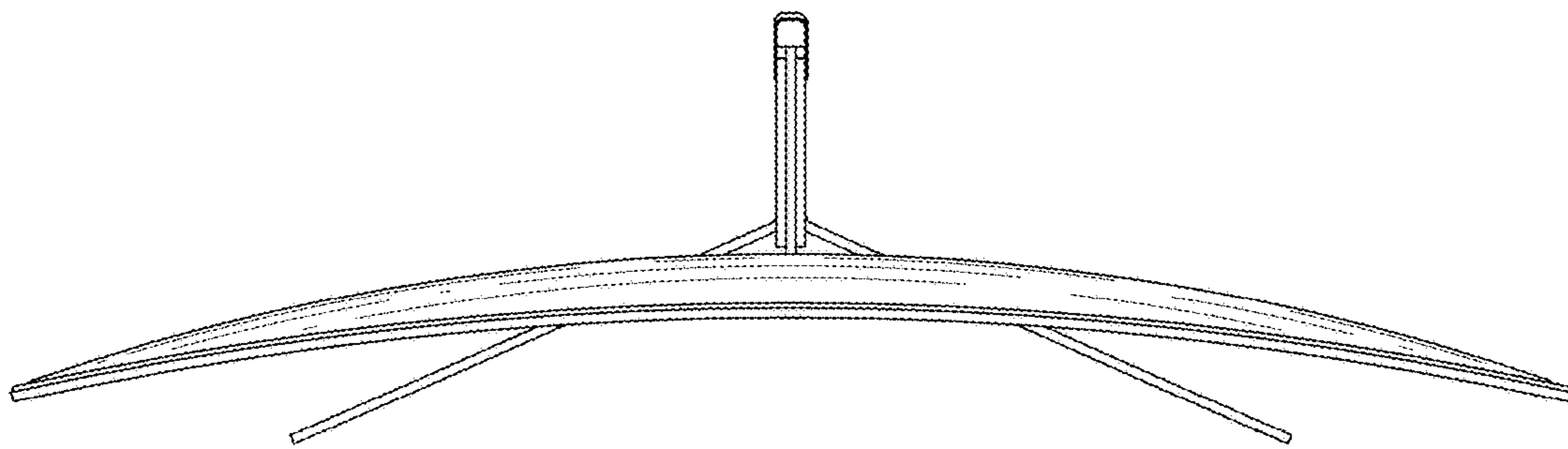


FIG. 7

