



US00D791130S

(12) **United States Design Patent**  
**Oh et al.**

(10) **Patent No.:** **US D791,130 S**  
(45) **Date of Patent:** **\*\* Jul. 4, 2017**

(54) **MONITOR**

F16M 11/045; F16M 11/105; F16M 11/041; F16M 11/126

(71) Applicant: **LG ELECTRONICS INC.**, Seoul (KR)

See application file for complete search history.

(72) Inventors: **Sunghoon Oh**, Seoul (KR); **Sooyoung Park**, Seoul (KR); **Jaeneung Jung**, Seoul (KR)

(56) **References Cited**

U.S. PATENT DOCUMENTS

(73) Assignee: **LG ELECTRONICS INC.**, Seoul (KR)

D545,778	S	*	7/2007	Isshiki	.....	D14/126
D634,323	S	*	3/2011	Park	.....	D14/374
D686,615	S	*	7/2013	Lee	.....	D14/374
D705,225	S	*	5/2014	Huh	.....	D14/374
D722,068	S	*	2/2015	Jung	.....	D14/447

(\*\*) Term: **15 Years**

\* cited by examiner

(21) Appl. No.: **29/560,320**

*Primary Examiner* — Freda S Nunn

(22) Filed: **Apr. 5, 2016**

(74) *Attorney, Agent, or Firm* — Birch, Stewart, Kolasch & Birch, LLP

(30) **Foreign Application Priority Data**

(57) **CLAIM**

Oct. 6, 2015 (KR) ..... 30-2015-0050319

The ornamental design for a monitor, as shown and described.

(51) **LOC (10) Cl.** ..... **14-02**

**DESCRIPTION**

(52) **U.S. Cl.**

USPC ..... **D14/374**

(58) **Field of Classification Search**

USPC ..... D14/371-375, 125-129, 336, 337, 341, D14/239; 341/12; 345/104, 156, 168, 345/173; 348/180, 184, 325, 739; 349/1, 349/2, 11, 62; 361/679.05-679.07, 361/679.21; D6/300, 308

FIG. 1 is a front, right side, perspective view of a monitor showing our new design;  
FIG. 2 is a front view thereof;  
FIG. 3 is a rear view thereof;  
FIG. 4 is a left side view thereof;  
FIG. 5 is a right side view thereof;  
FIG. 6 is a top view thereof; and,  
FIG. 7 is a bottom view thereof.

CPC ..... G06F 1/16; G06F 1/1601; G06F 3/037; G06F 1/162; G06F 1/1613; G06F 1/133308; F16M 11/02; F16M 11/10; F16M 11/00; F16M 11/06; F16M 11/18;

The broken lines indicate unclaimed portion of the article that form no part of the claimed design.

**1 Claim, 4 Drawing Sheets**

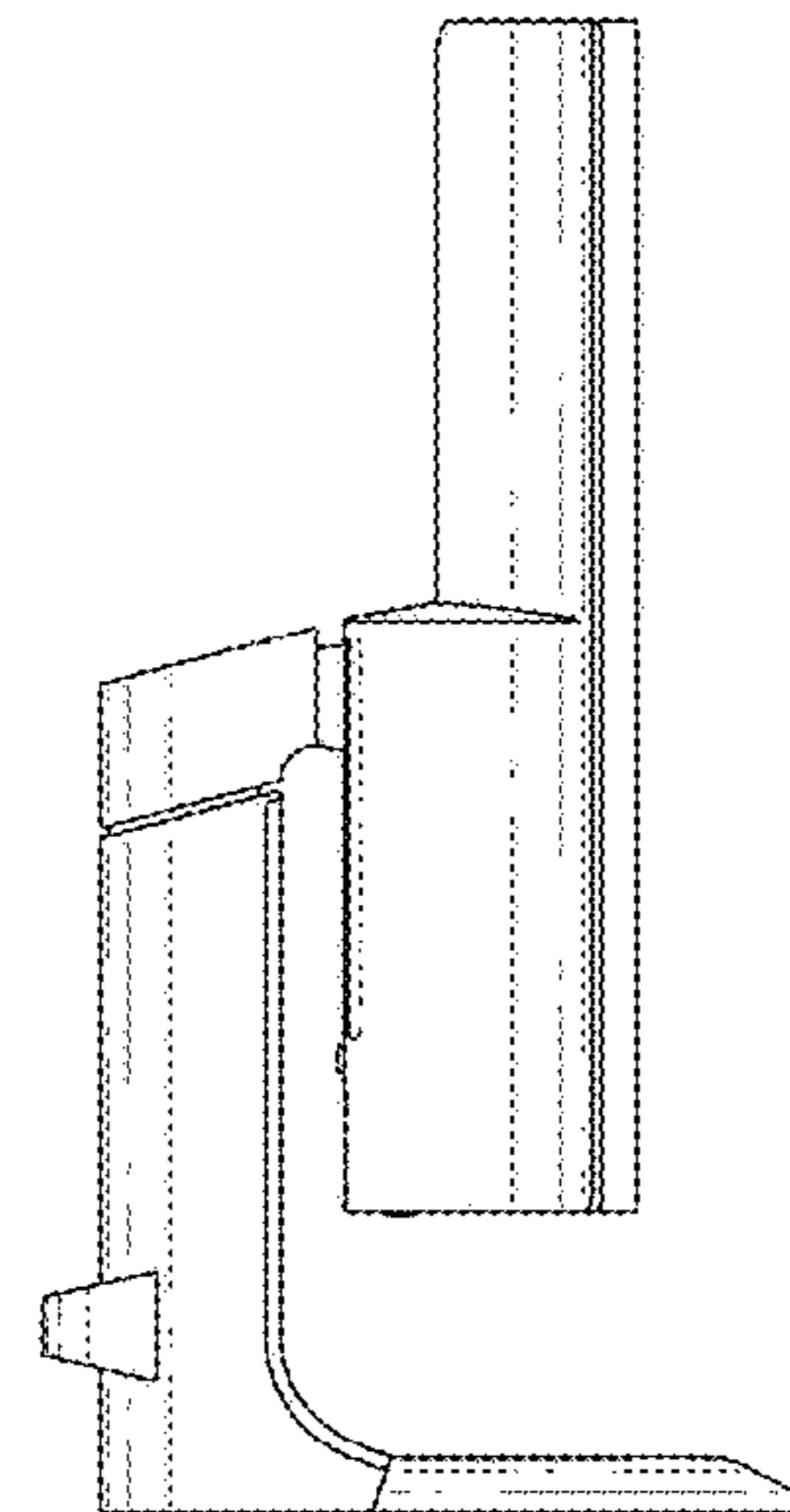
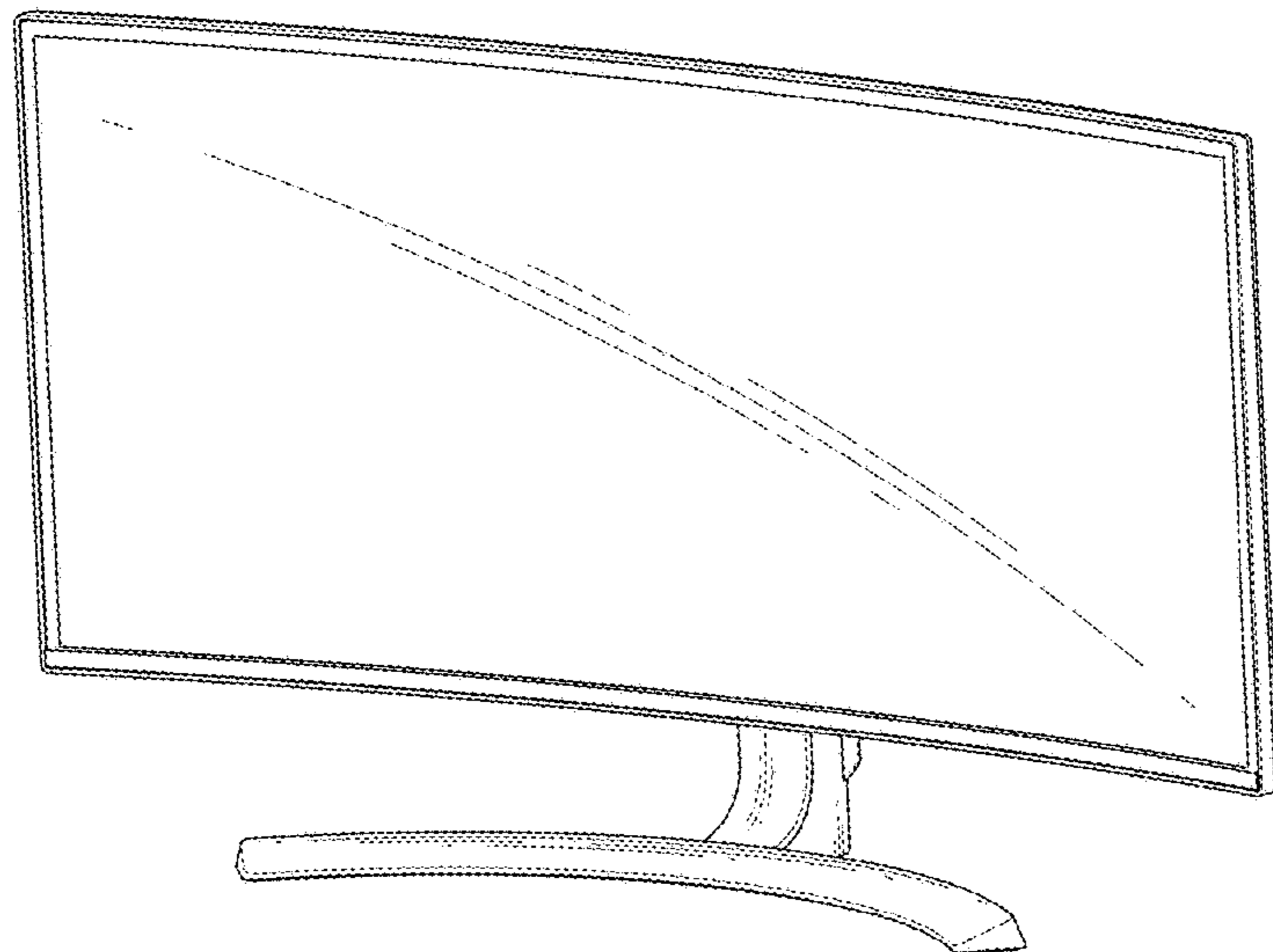


FIG. 1

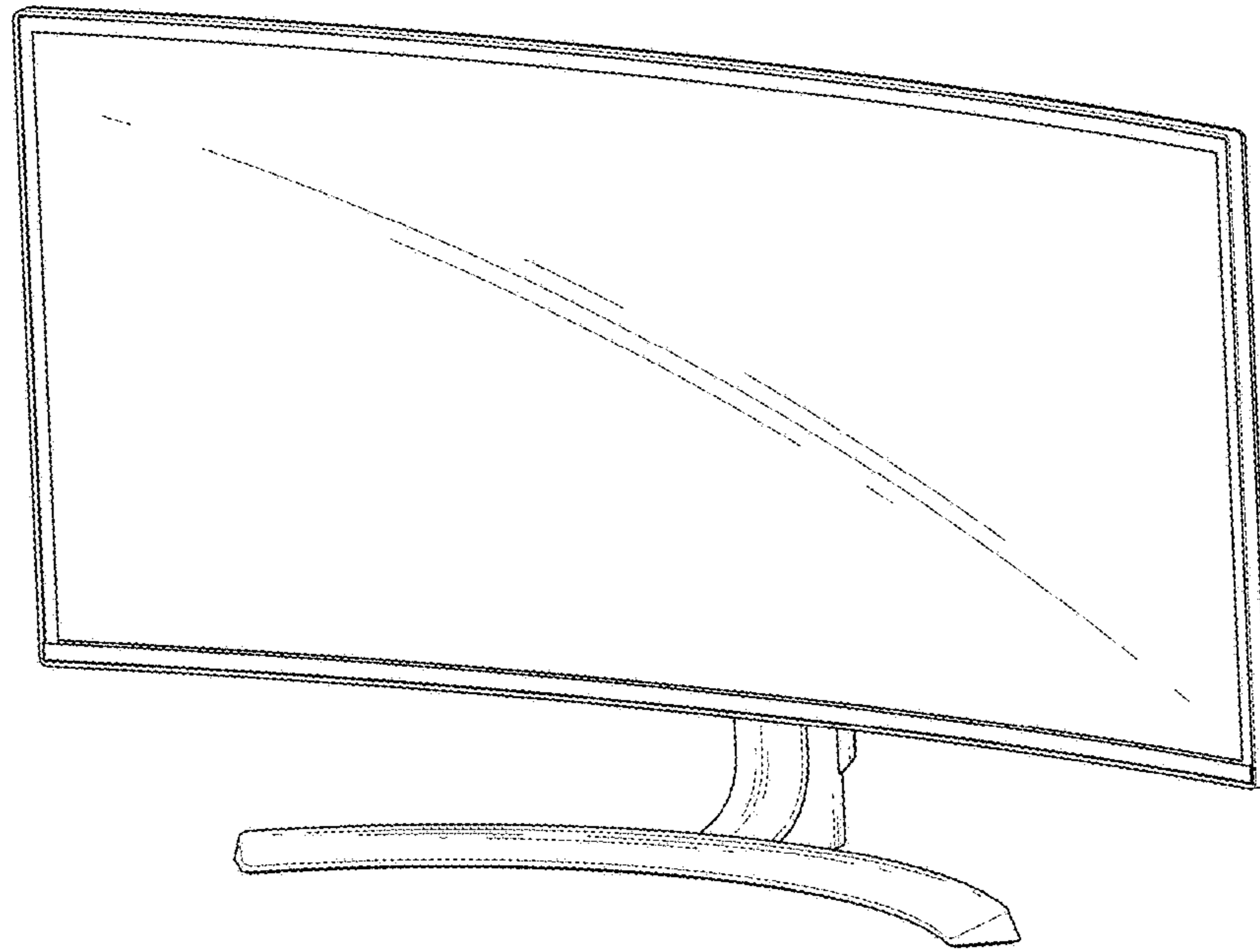


FIG. 2

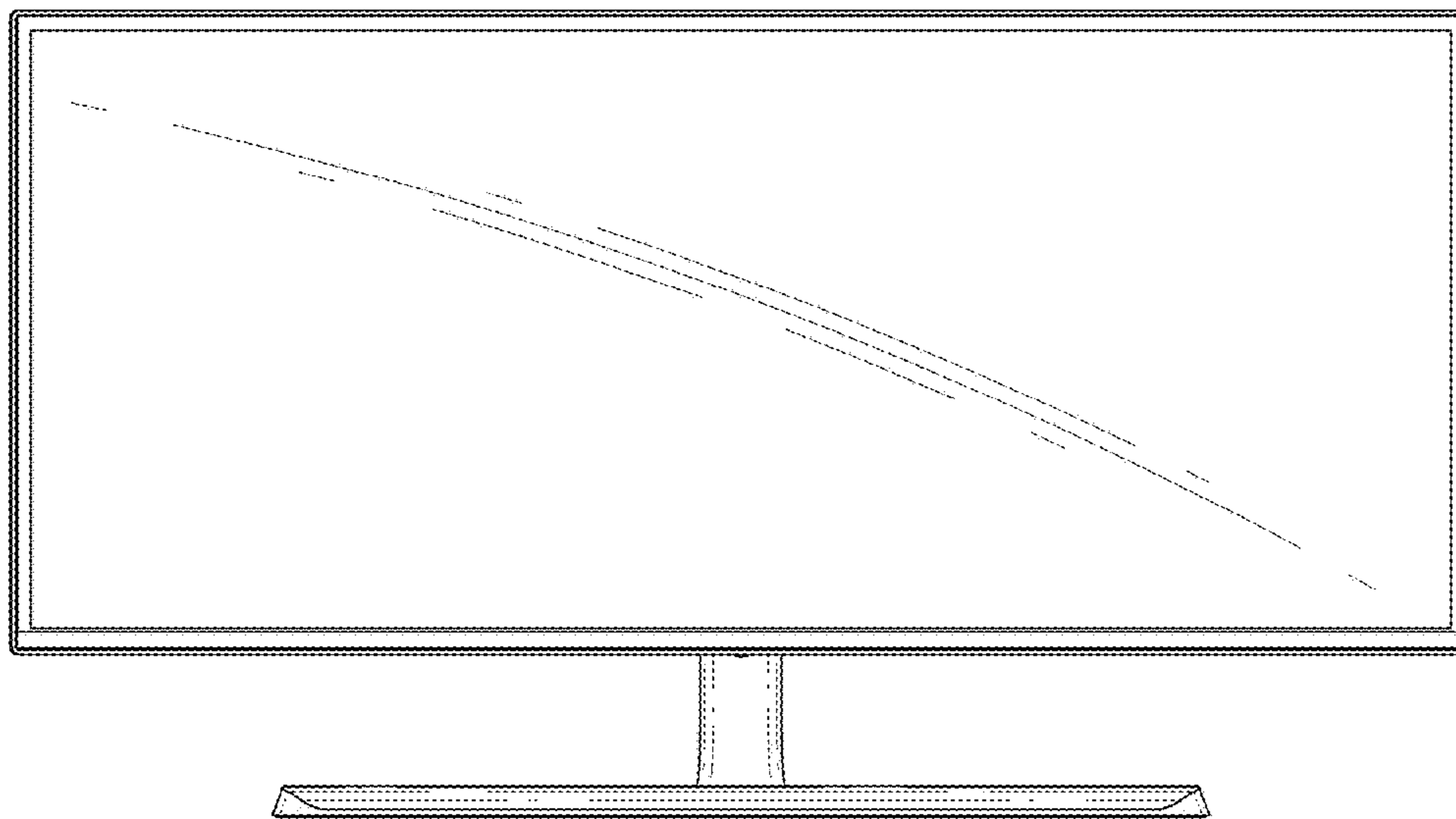


FIG. 3

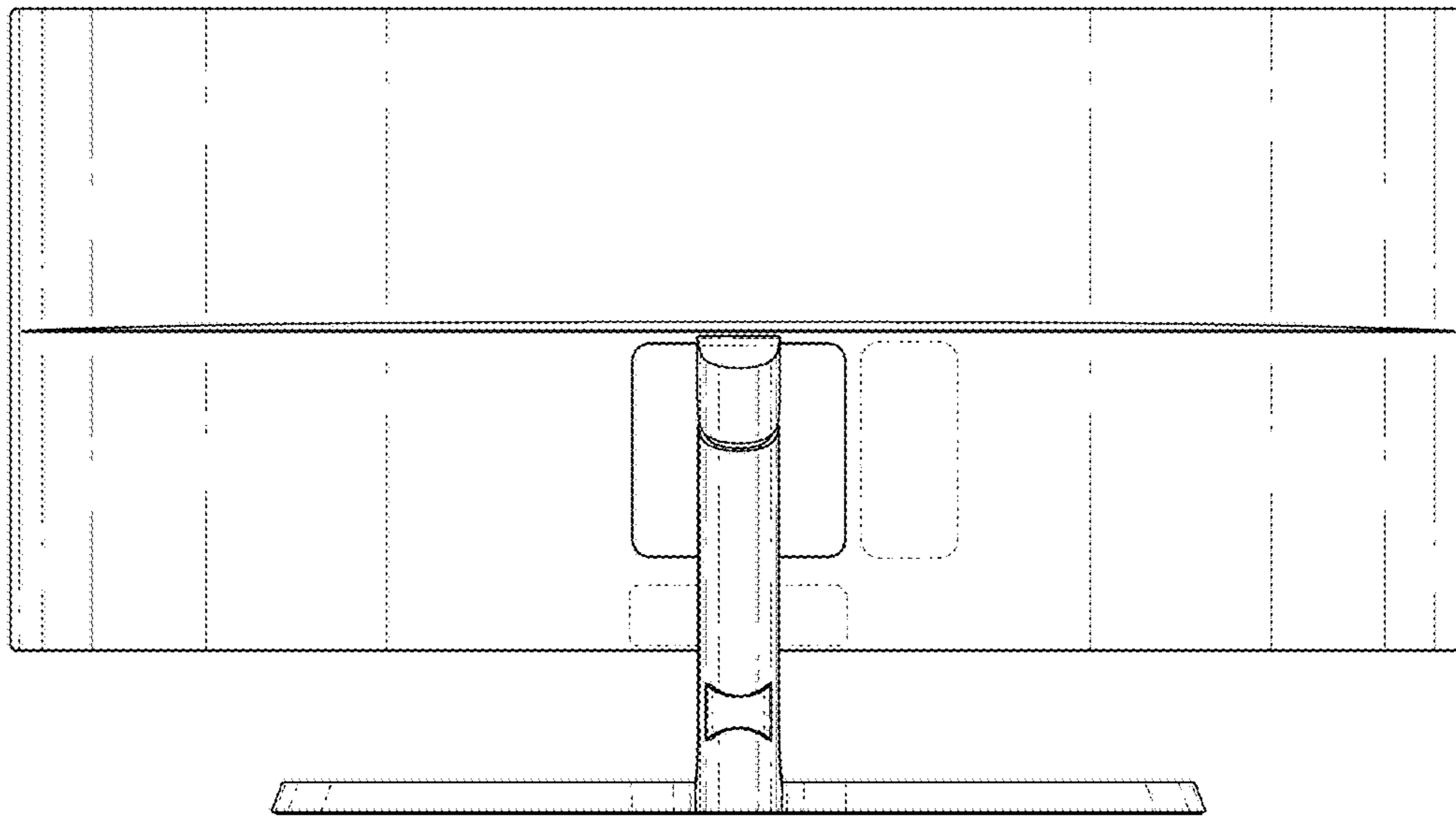


FIG. 4

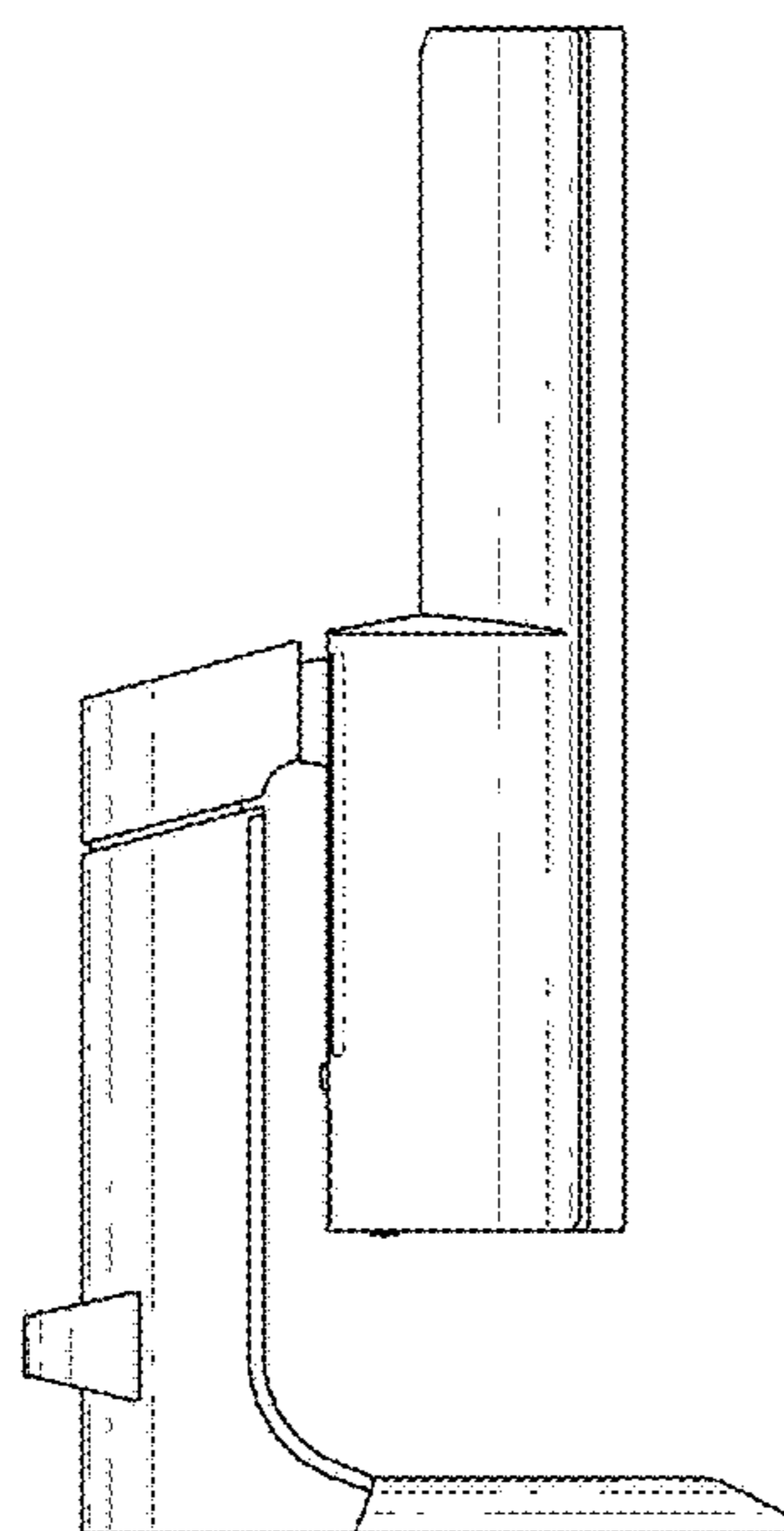


FIG. 5

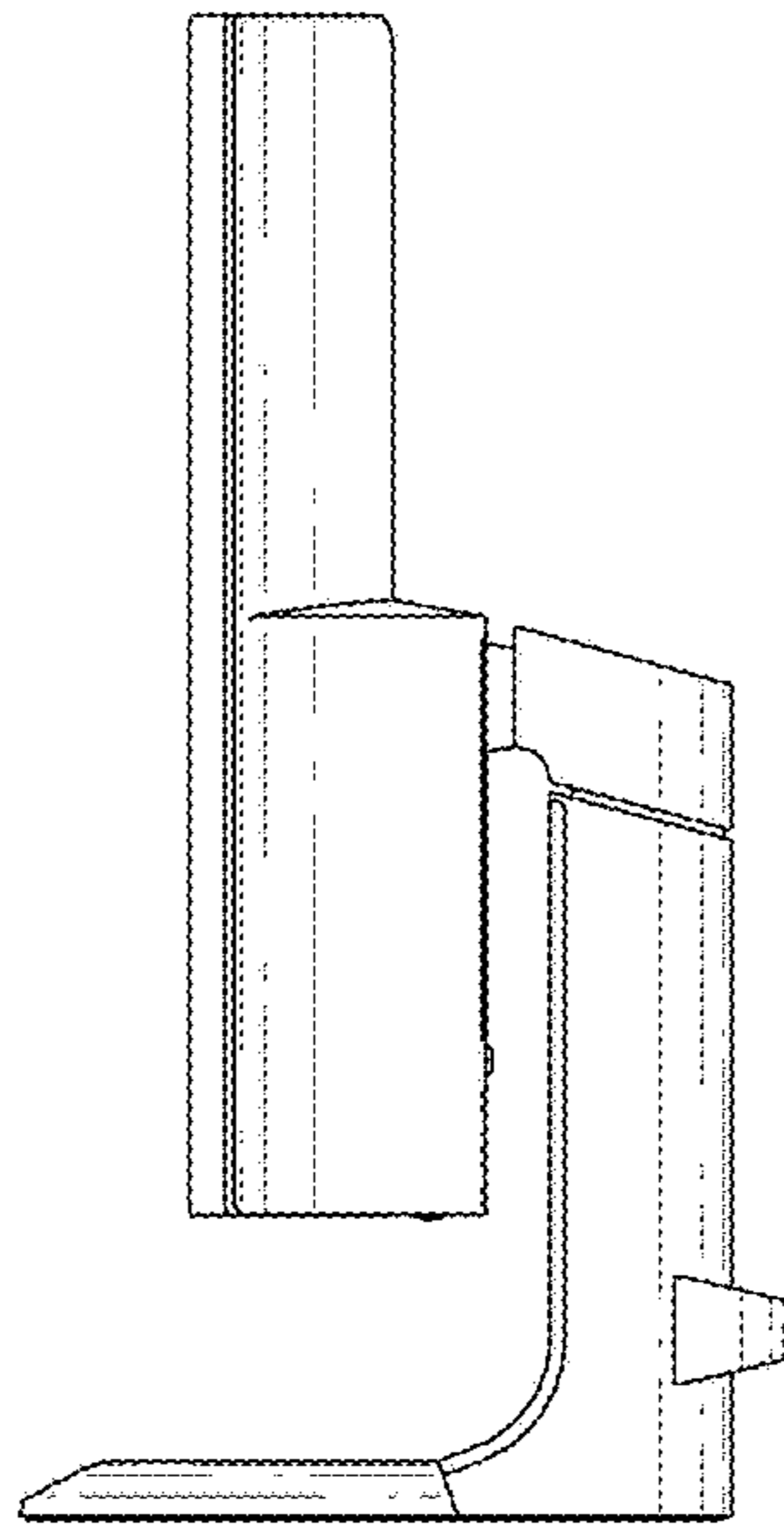


FIG. 6

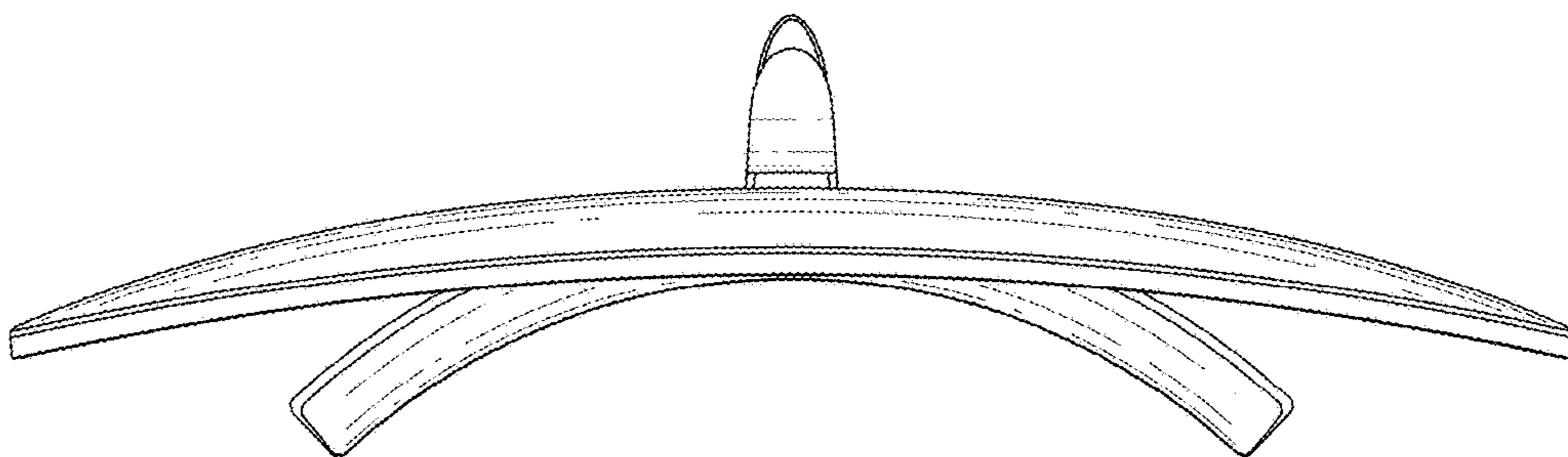


FIG. 7

