



US00D791127S

(12) **United States Design Patent** (10) **Patent No.:** **US D791,127 S**
Sullivan et al. (45) **Date of Patent:** **** Jul. 4, 2017**

(54) **HEAD MOUNTED DISPLAY**
(71) Applicant: **Oculus VR, LLC**, Menlo Park, CA (US)
(72) Inventors: **Joseph Patrick Sullivan**, Issaquah, WA (US); **Yi-yaun Chen**, Seattle, WA (US); **Peter Wesley Bristol**, Seattle, WA (US); **David Michael Pickett**, Seattle, WA (US); **Enric Vial Roig**, Seattle, WA (US)
(73) Assignee: **Oculus VR, LLC**, Menlo Park, CA (US)

D719,953 S 12/2014 Nokuo et al.
D722,054 S * 2/2015 Serota D14/372
D727,896 S * 4/2015 Lалуque D14/372
D735,691 S * 8/2015 Sparks D14/205
D738,374 S * 9/2015 Luckey D14/372
D739,855 S 9/2015 Bosveld et al.
D740,810 S 10/2015 Bosveld et al.
D740,811 S 10/2015 Bosveld et al.
D741,327 S 10/2015 Reznik et al.
D741,860 S 10/2015 Bosveld et al.
D749,580 S 2/2016 Kim et al.

(Continued)

FOREIGN PATENT DOCUMENTS

JP 1175394 A 3/1999

OTHER PUBLICATIONS

Chinese Design Gazette, No. 15-48, (Dec. 2, 2015), CN303479368S (JPO Publicly Known Design No. HH27008199).

(Continued)

(**) Term: **15 Years**

(21) Appl. No.: **29/575,975**

(22) Filed: **Aug. 30, 2016**

Related U.S. Application Data

(62) Division of application No. 29/529,900, filed on Jun. 11, 2015, now Pat. No. Des. 771,625.

(51) **LOC (10) Cl.** **14-02**

(52) **U.S. Cl.**
USPC **D14/372**

(58) **Field of Classification Search**

USPC D14/372, 496, 432, 371, 125, 126, 129, D14/299; D16/300-342; 351/158, 153, 351/144; 345/7-9, 905; 455/344; 348/115, 53, 121, 739

CPC G02B 27/017; G02B 27/0158; G02B 27/0161; G02B 27/0181; G02B 27/0185; G02B 27/0189

See application file for complete search history.

(56) **References Cited**

U.S. PATENT DOCUMENTS

D427,982 S * 7/2000 Ishii D14/372
D499,397 S * 12/2004 Hlas D14/223

Primary Examiner — Austin Murphy

(74) *Attorney, Agent, or Firm* — Perkins Coie LLP

(57) **CLAIM**

The ornamental design for a head mounted display, as shown and described.

DESCRIPTION

FIG. 1 is a front isometric view of a head mounted display showing the new design.

FIG. 2 is a front elevation view thereof.

FIG. 3 is a rear elevation view thereof.

FIG. 4 is a left side elevation view thereof.

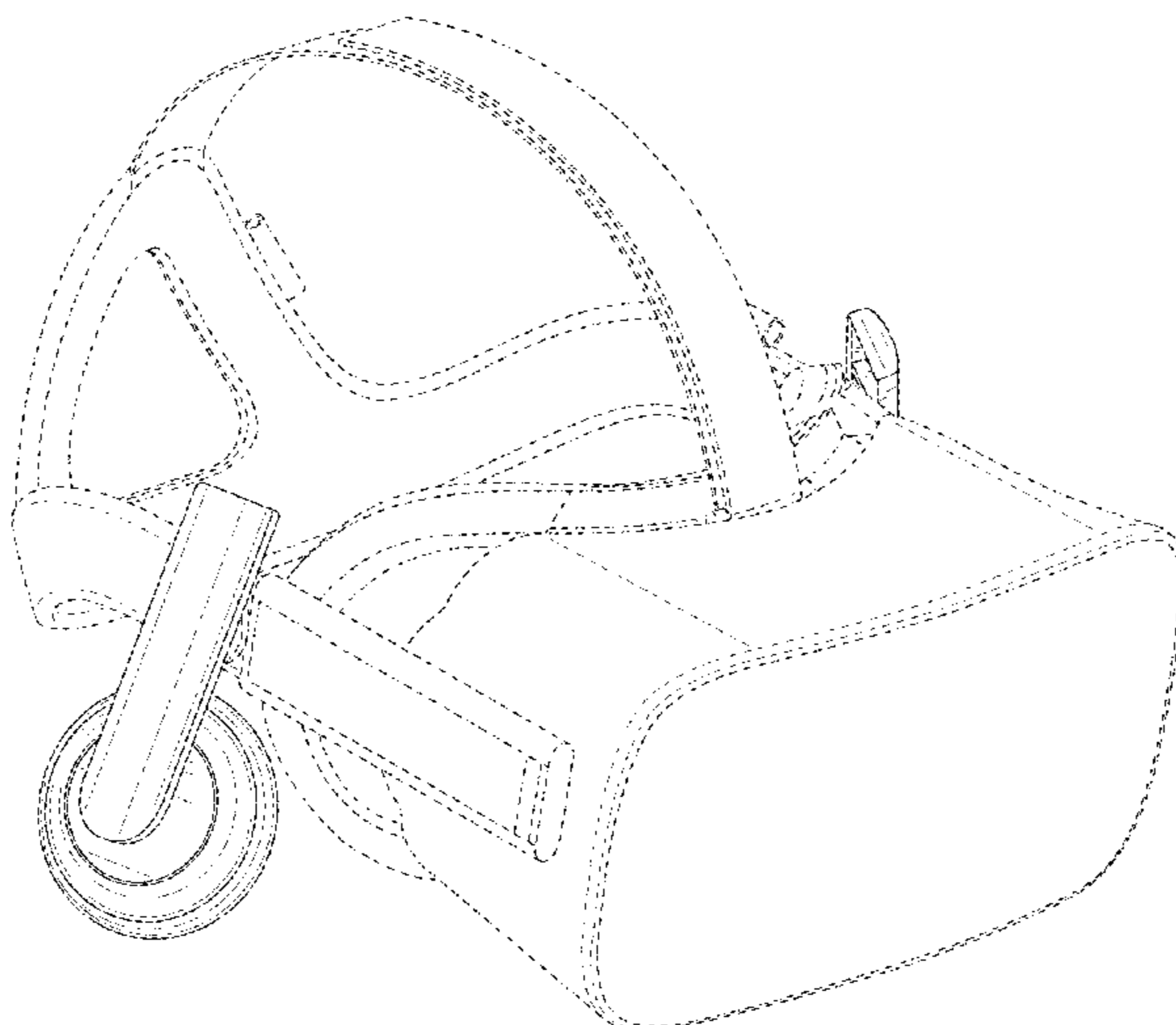
FIG. 5 is a right side elevation view thereof.

FIG. 6 is a top plan view thereof; and,

FIG. 7 is a bottom plan view thereof.

Any broken lines in the Figures are for illustrative purposes only and form no part of the claimed design.

1 Claim, 7 Drawing Sheets



(56)

References Cited

U.S. PATENT DOCUMENTS

| | | | | | | |
|----------|---|---|---------|-----------------|-------|---------|
| D749,583 | S | * | 2/2016 | Luckey | | D14/372 |
| D751,072 | S | | 3/2016 | Lyons | | |
| D753,112 | S | | 4/2016 | Fei | | |
| D759,654 | S | | 6/2016 | Sullivan et al. | | |
| D759,655 | S | | 6/2016 | Sullivan et al. | | |
| D760,225 | S | * | 6/2016 | Passmore | | D14/372 |
| D761,257 | S | * | 7/2016 | Passmore | | D14/372 |
| D764,437 | S | * | 8/2016 | Yang | | D14/206 |
| D765,056 | S | * | 8/2016 | Yang | | D14/205 |
| D771,625 | S | * | 11/2016 | Sullivan | | D14/372 |
| D771,627 | S | * | 11/2016 | Ko | | D14/372 |
| D778,909 | S | * | 2/2017 | Nokuo | | D14/372 |
| D780,751 | S | * | 3/2017 | Park | | D14/372 |
| D781,288 | S | * | 3/2017 | Park | | D14/372 |
| D781,289 | S | * | 3/2017 | Patel | | D14/372 |
| D783,019 | S | * | 4/2017 | Letbetter | | D14/372 |

OTHER PUBLICATIONS

- EU Design Gazette, (Oct. 27, 2015), 002820712-0001 (JPO Publicly Known Design No. HH27205425).
- First Examination Report in India Patent Application No. 278269, mailing date May 4, 2016, 2 pages.
- First Examination Report in India Patent Application No. 278270, mailing date May 4, 2016, 2 pages.
- First Examination Report in India Patent Application No. 278271, mailing date Apr. 21, 2016, 2 pages.
- Form Zeitschrift fur Gestaltung, No. 2, vol. 258, p. 51 (JPO Publicly Known Design No. HB27000746).
- Notice of Allowance in Japanese Patent Application No. 2015-027694, mailing date Dec. 16, 2016, 4 pages, English Translation.
- Notice of Preliminary Rejection in Korean Patent Application No. 30-2015-0063428, mailing date May 13, 2016, 3 pages.
- Examination Report in India Patent Application No. 289400, mailing date Jan. 2, 2017, 2 pages.
- First Examination Report in India Patent Application No. 289399, mailing date Jan. 20, 2017, 2 pages.
- First Examination Report in India Patent Application No. 289401, mailing date Jan. 17, 2017, 2 pages.
- "Oculus Rift Virtual Reality Headset," Uncrate, May 8, 2015, 2 pages.
- Bishop, R., "Tested Demos the Oculus Rift 'Crescent Bay' Virtual Reality Headset Prototype at Oculus Connect," Laughing Squid, Sep. 26, 2014, 2 pages.
- Blain, L., "'Ancient' Oculus Rift concepts leak new controller and front-facing camera," gamesradar, Jun. 9, 2015, 13 pages.
- Design of Head Mounted Display, Goods Press, No. 5, May 10, 2015, JPO Publicly Known Design No. HA27001471, 3 pages.
- Design of headphone, Sound & Vision, No. 3, Apr. 2014, p. 28, JPO Publicly Known Design No. HB26000843.
- Final Examination Report in Israel Patent Application No. 57744, mailing date Aug. 3, 2016.
- First Examination Report in India Patent Application No. 278179, mailing date Apr. 9, 2016, 2 pages.
- First Examination Report in India Patent Application No. 278276, mailing date May 4, 2016, 2 pages.
- First Examination Report in India Patent Application No. 278277, mailing date Mar. 28, 2016, 2 pages.
- First Examiner's Report in Australian Patent Application No. 366106, mailing date Feb. 26, 2016, 2 pages.
- First Examiner's Report in Australian Patent Application No. 366107, mailing date Feb. 26, 2016, 2 pages.
- First Examiner's Report in Australian Patent Application No. 366109, mailing date Feb. 26, 2016, 2 pages.
- First Examiner's Report in Australian Patent Application No. 366110, mailing date Feb. 26, 2016, 2 pages.
- First Examiner's Report in Australian Patent Application No. 366111, mailing date Feb. 26, 2016, 2 pages.
- First Examiner's Report in Australian Patent Application No. 366112, mailing date Feb. 26, 2016, 2 pages.
- First Examiner's Report in Canadian Patent Application No. 163156, mailing date Nov. 24, 2015, 5 pages.
- First Examiner's Report in Canadian Patent Application No. 167488, mailing date Apr. 7, 2016, 5 pages.
- First Examiner's Report in Canadian Patent Application No. 167489, mailing date Apr. 7, 2016, 3 pages.
- First Examiner's Report in Canadian Patent Application No. 167490, mailing date Apr. 7, 2016, 3 pages.
- First Examiner's Report in Canadian Patent Application No. 167491, mailing date Apr. 7, 2016, 3 pages.
- First Examiner's Report in Israel Patent Application No. 57744, mailing date Feb. 4, 2016, 3 pages.
- Japanese Office Action in Patent Application No. 2015-027694, mailing date Jul. 1, 2016, 4 pages, English Translation.
- Lang, B., "Oculus Rift Input Controller Revealed in Leaked 'Placeholder Concept,'" Jun. 9, 2015, 2 pages.
- Moynihan, T., "The Oculus Rift is Coming in Early 2016," Wired, May 6, 2015, 2 pages.
- Notice of Allowance mailed Oct. 5, 2016, for U.S. Patent Application No. 29/529,900, of Sullivan, J. filed Jun. 11, 2015.
- Orland, K., "Leaked images could point to Oculus controller, final Rift design," arstechnica, Jun. 9, 2015, 3 pages.
- Pro Audio Japan, "Product Information: MPC Headphones: AKAI Professional," Mar. 4, 2014, retrieved online at <<http://akai-pro.jp/mpc-headphones/>>, JPO Publicly Known Design No. HJ25065259, 3 pages.
- Restriction Requirement mailed Aug. 8, 2016, for U.S. Appl. No. 29/529,900, of Sullivan, J. filed Jun. 11, 2015.
- Second Examiner's Report in Australian Patent Application No. 366106, mailing date Jul. 19, 2016, 2 pages.
- Seppala, T., "Oculus Rift goes mainstream early 2016," Engadget, May 6, 2015, 9 pages.
- U.S. Appl. No. 29/529,900 by Sullivan, J., et al., filed Jun. 11, 2015.
- U.S. Appl. No. 29/575,968 by Sullivan, J., et al., filed Aug. 30, 2016.
- U.S. Appl. No. 29/575,971 by Sullivan, J., et al., filed Aug. 30, 2016.
- U.S. Appl. No. 29/575,981 by Sullivan, J., et al., filed Aug. 30, 2016.
- U.S. Appl. No. 29/575,982 by Sullivan, J., et al., filed Aug. 30, 2016.
- First Examiner's Report in Canadian Patent Application No. 167487, mailing date Sep. 13, 2016, 4 pages.
- Further Examiner's Report in Canadian Patent Application No. 163156, mailing date Aug. 18, 2016, 4 pages.
- Further Examiner's Report in Canadian Patent Application No. 167488, mailing date Aug. 15, 2016, 4 pages.
- Further Examiner's Report in Canadian Patent Application No. 167489, mailing date Aug. 18, 2016, 3 pages.
- Further Examiner's Report in Canadian Patent Application No. 167490, mailing date Aug. 18, 2016, 3 pages.
- Further Examiner's Report in Canadian Patent Application No. 167491, mailing date Aug. 18, 2016, 3 pages.
- U.S. Appl. No. 29/579,866 by Yee, P., et al., filed Oct. 4, 2016.
- U.S. Appl. No. 29/579,868 by Yee, P., et al., filed Oct. 4, 2016.
- U.S. Appl. No. 29/579,873 by Yee, P., et al., filed Oct. 4, 2016.
- U.S. Appl. No. 29/579,896 by Yee, P., et al., filed Oct. 4, 2016.
- U.S. Appl. No. 29/579,881 by Yee, P., et al., filed Oct. 4, 2016.
- U.S. Appl. No. 29/579,890 by Yee, P., et al., filed Oct. 4, 2016.
- U.S. Appl. No. 29/579,870 by Yee, P., et al., filed Oct. 4, 2016.
- U.S. Appl. No. 29/579,875 by Hammerstein, J., et al., filed Oct. 4, 2016.

* cited by examiner

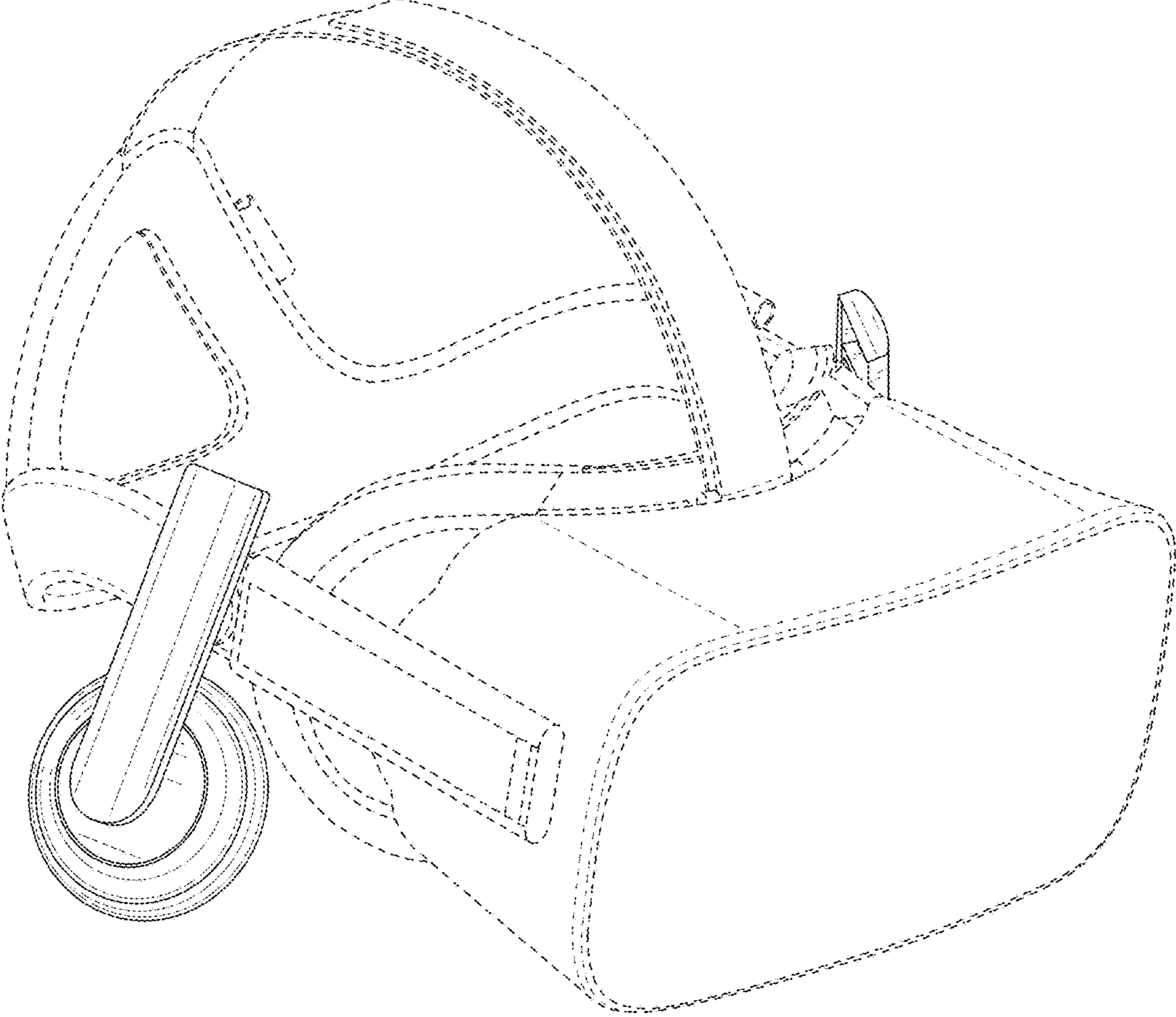


Fig. 1

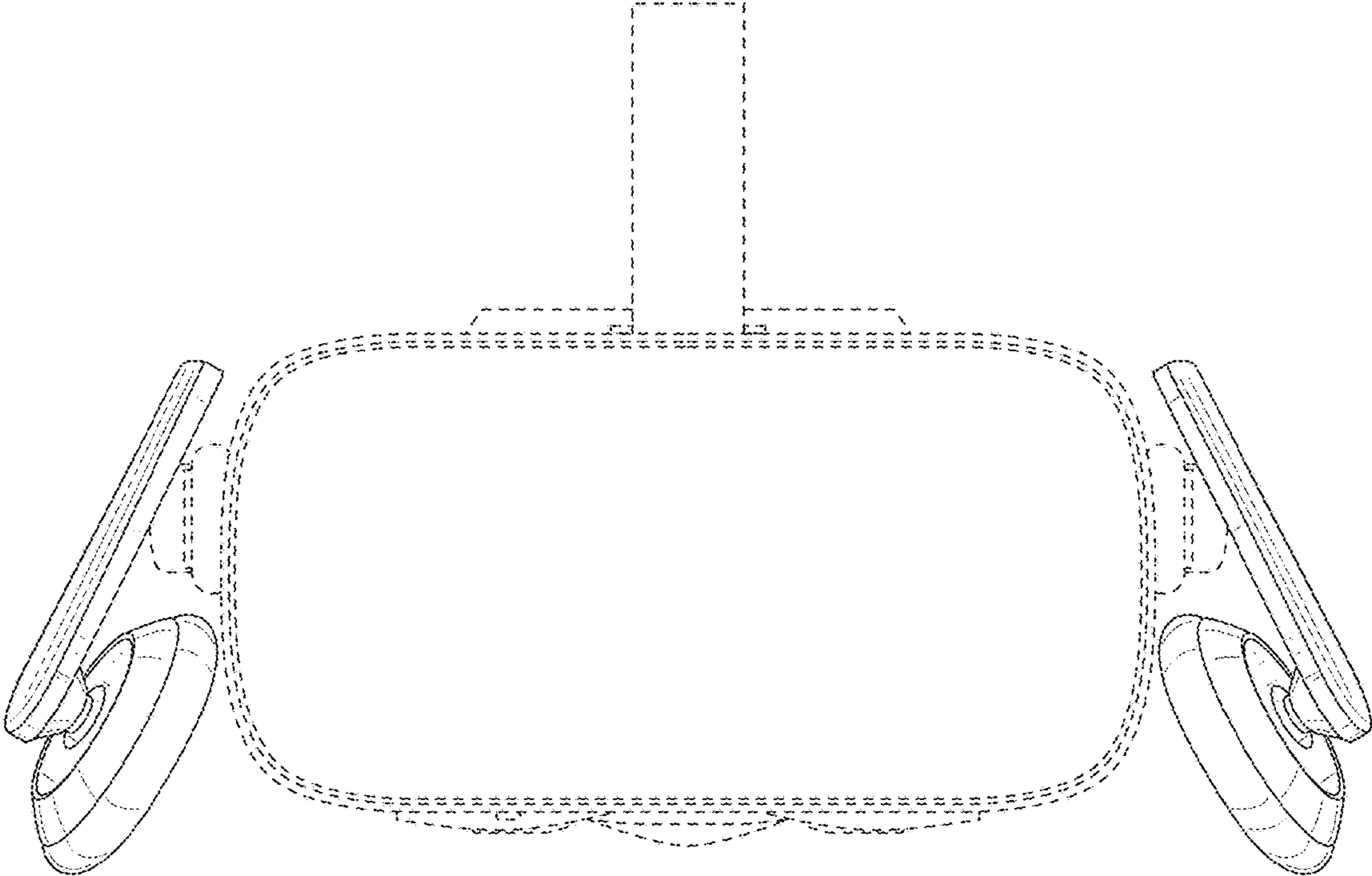


Fig. 2

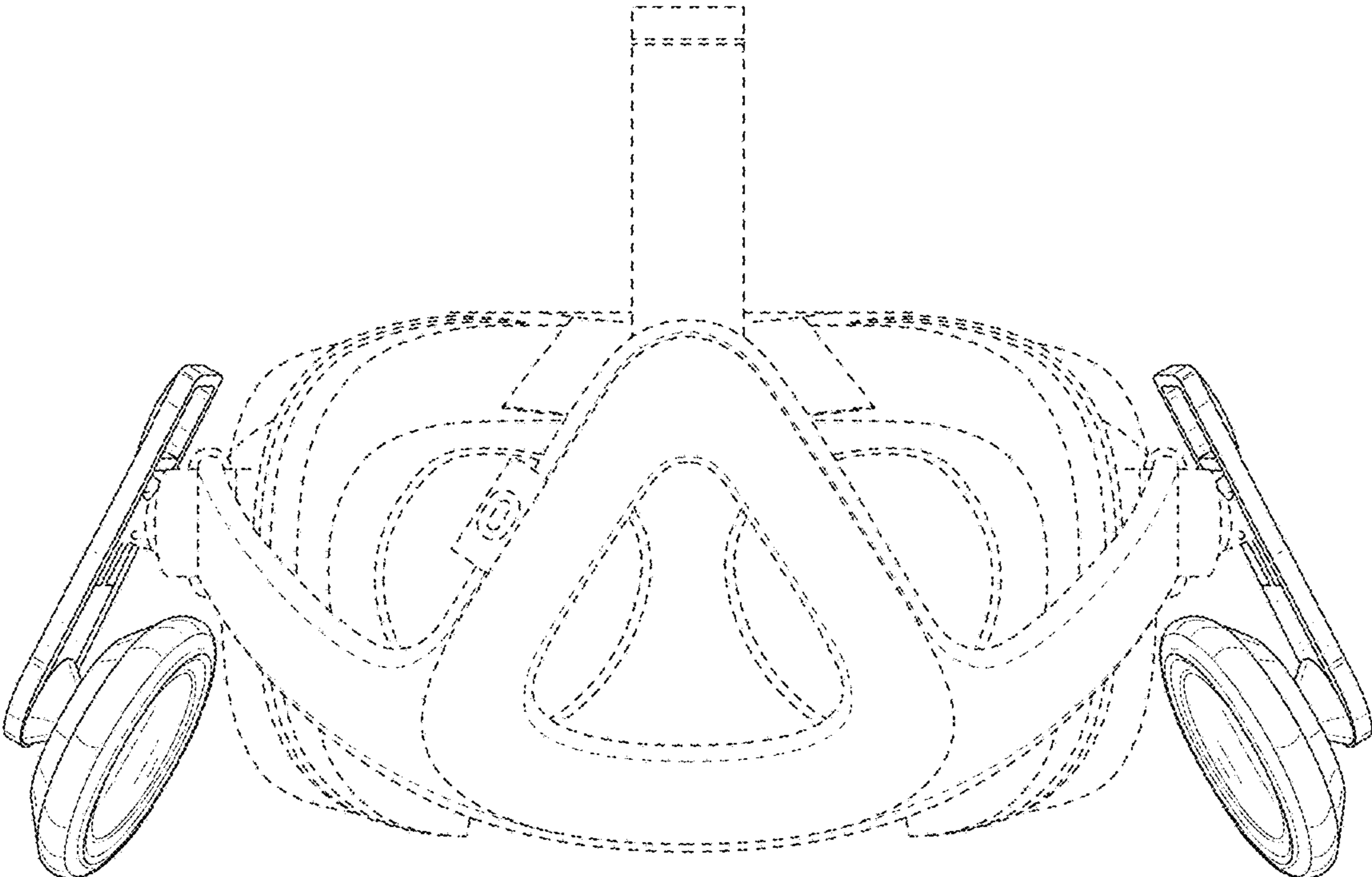


Fig. 3

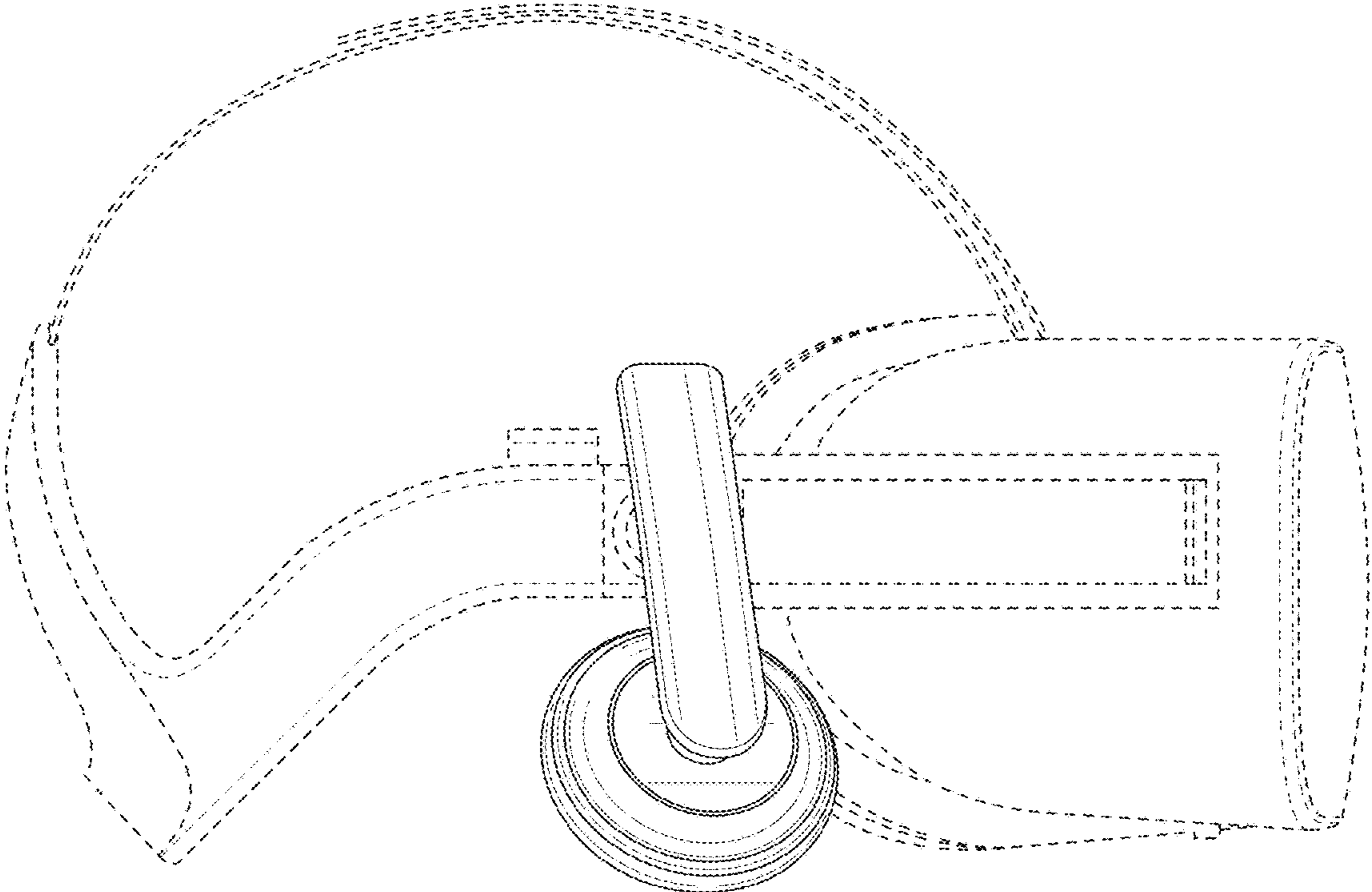


Fig. 4

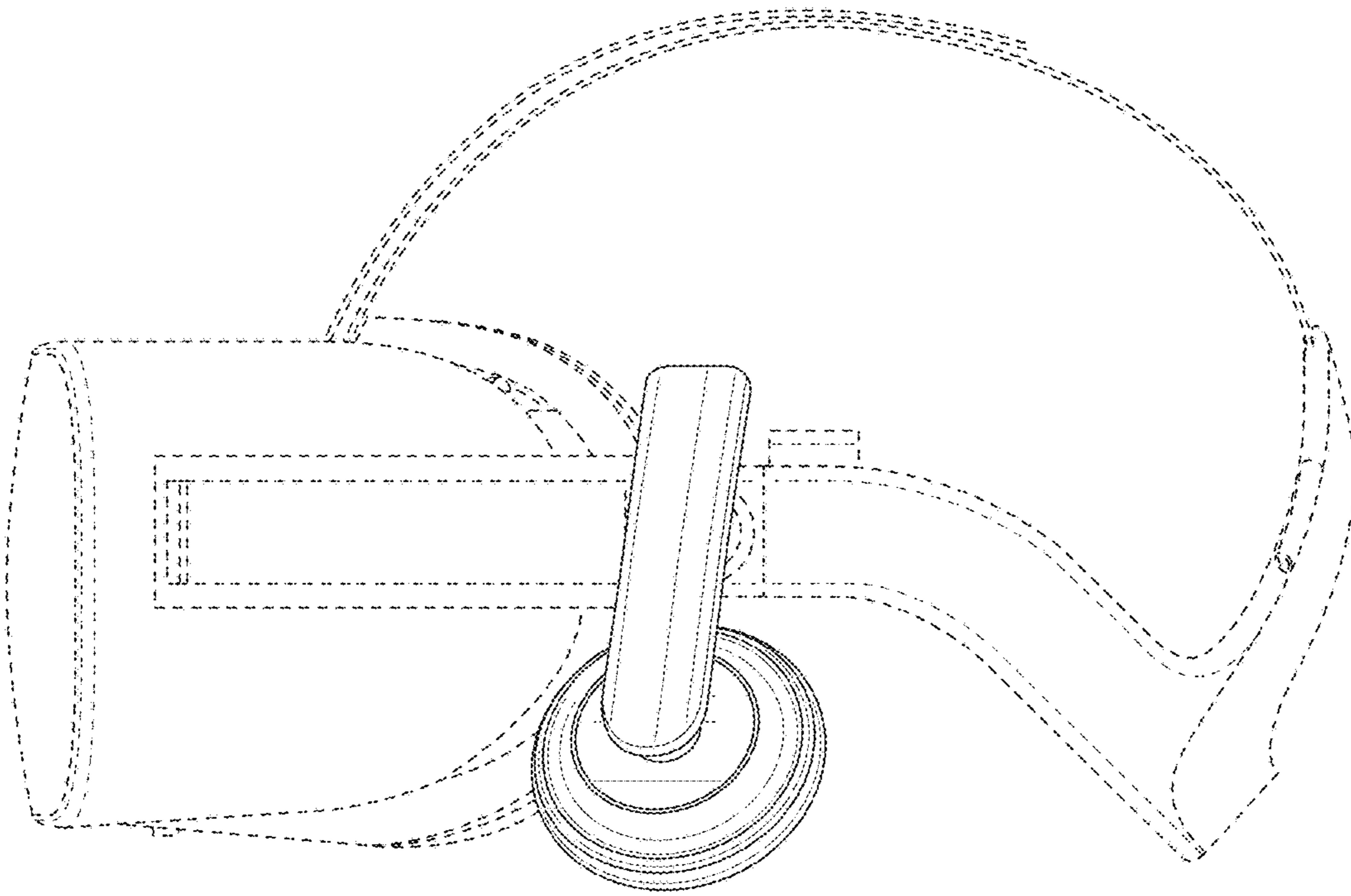


Fig. 5

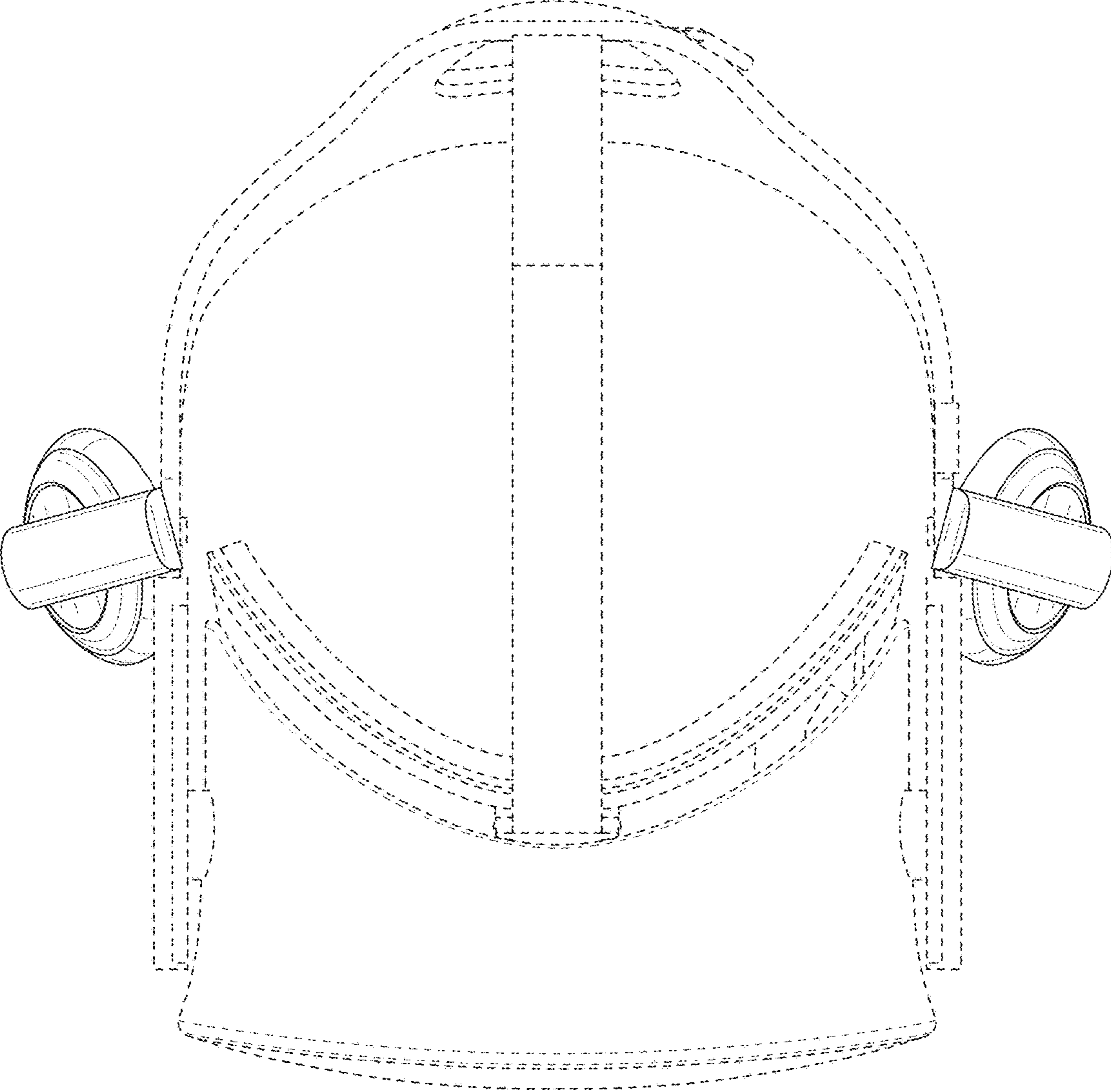


Fig. 6

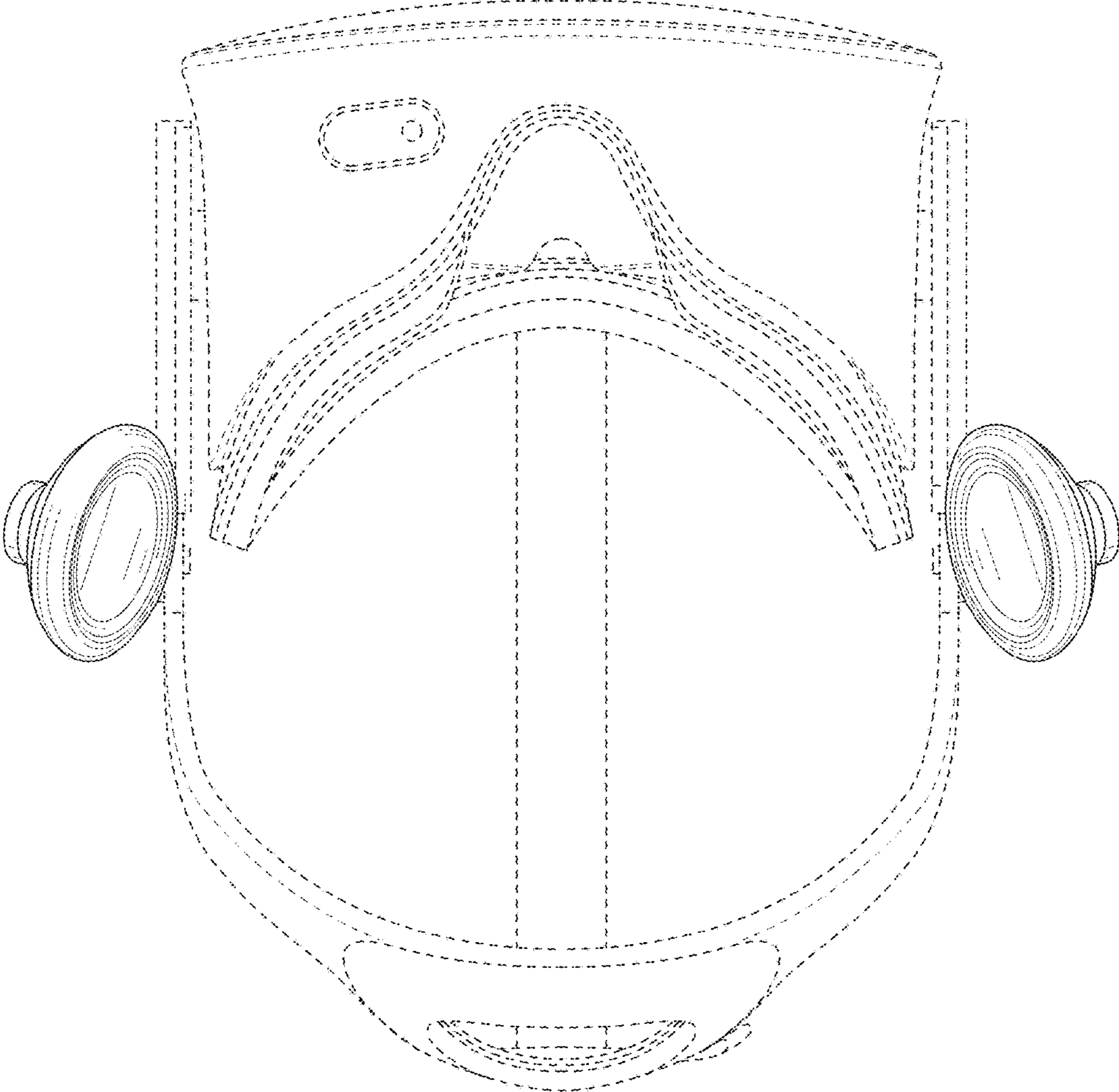


Fig. 7