



US00D791126S

(12) **United States Design Patent** (10) **Patent No.:** **US D791,126 S**
Sullivan et al. (45) **Date of Patent:** **** Jul. 4, 2017**

(54) **HEAD MOUNTED DISPLAY**
(71) Applicant: **Oculus VR, LLC**, Menlo Park, CA (US)
(72) Inventors: **Joseph Patrick Sullivan**, Issaquah, WA (US); **Yi-yaun Chen**, Seattle, WA (US); **Peter Wesley Bristol**, Seattle, WA (US); **David Michael Pickett**, Seattle, WA (US); **Enric Vial Roig**, Seattle, WA (US)

D727,896 S 4/2015 Laluque et al.
D738,374 S * 9/2015 Luckey D14/372
D739,855 S 9/2015 Bosveld et al.
D740,810 S 10/2015 Bosveld et al.
D740,811 S 10/2015 Bosveld et al.
D741,327 S 10/2015 Reznik et al.
D741,860 S 10/2015 Bosveld et al.
D749,580 S 2/2016 Kim et al.
D749,583 S * 2/2016 Luckey D14/372
D751,072 S 3/2016 Lyons
D753,112 S 4/2016 Fei
(Continued)

(73) Assignee: **Oculus VR, LLC**, Menlo Park, CA (US)

FOREIGN PATENT DOCUMENTS

JP 1175394 A 3/1999

(**) Term: **15 Years**

OTHER PUBLICATIONS

(21) Appl. No.: **29/575,971**

“Oculus Rift Virtual Reality Headset,” Uncrate, May 8, 2015, 2 pages.

(22) Filed: **Aug. 30, 2016**

(Continued)

Related U.S. Application Data

(62) Division of application No. 29/529,900, filed on Jun. 11, 2015, now Pat. No. Des. 771,625.

Primary Examiner — Austin Murphy

(74) *Attorney, Agent, or Firm* — Perkins Coie LLP

(51) **LOC (10) Cl.** **14-02**

(57) **CLAIM**

(52) **U.S. Cl.**
USPC **D14/372**

The ornamental design for a head mounted display, as shown and described.

(58) **Field of Classification Search**
USPC D14/372, 496, 432, 371, 125, 126, 129, D14/299; D16/300–342; 351/158, 153, 351/144; 345/7–9, 905; 455/344; 348/115, 53, 121, 739
CPC G02B 27/017; G02B 27/0158; G02B 27/0161; G02B 27/0181; G02B 27/0185; G02B 27/0189

DESCRIPTION

See application file for complete search history.

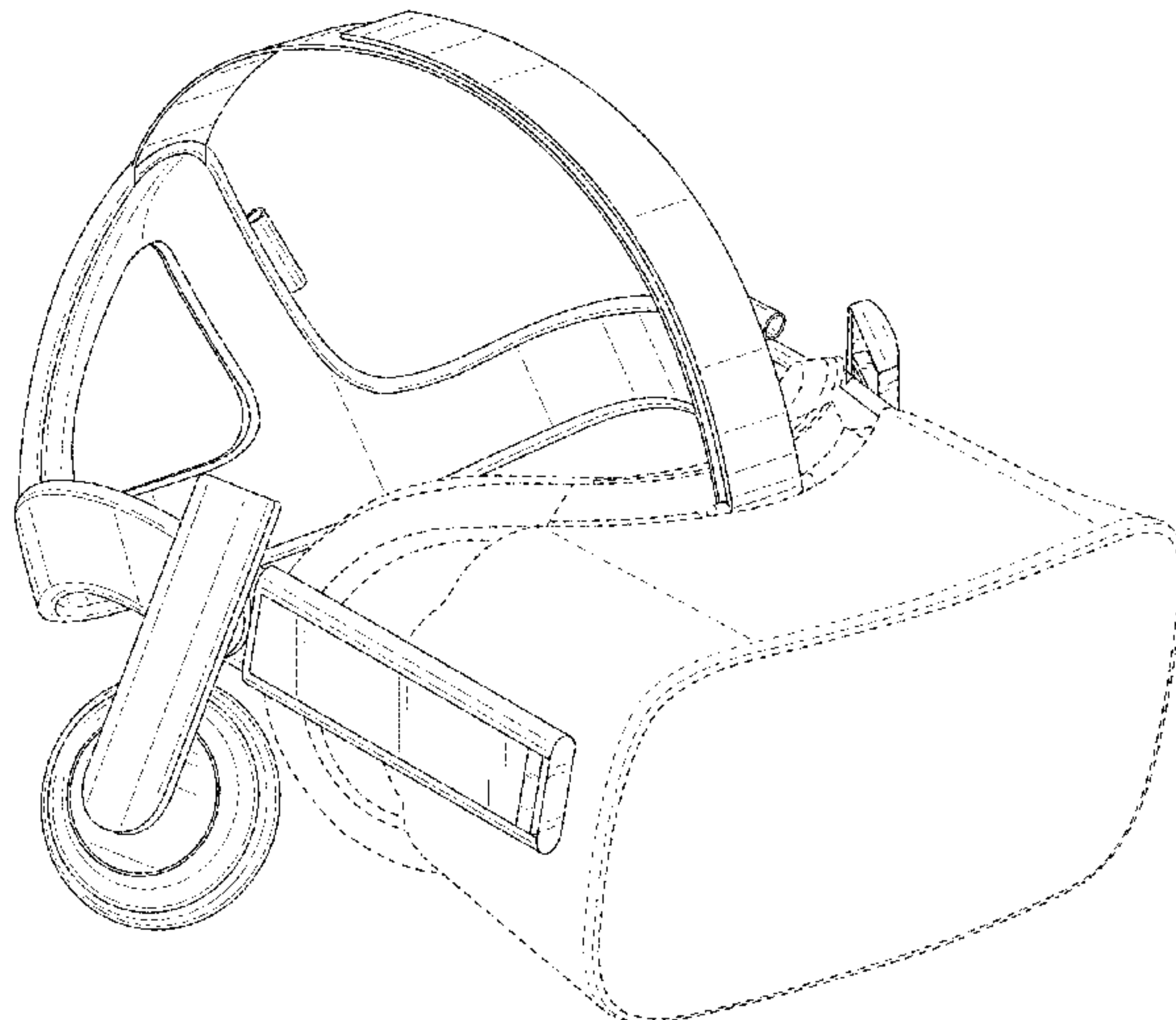
FIG. 1 is a front isometric view of a head mounted display showing the new design.
FIG. 2 is a front elevation view thereof.
FIG. 3 is a rear elevation view thereof.
FIG. 4 is a left side elevation view thereof.
FIG. 5 is a right side elevation view thereof.
FIG. 6 is a top plan view thereof; and,
FIG. 7 is a bottom plan view thereof.
Any broken lines in the Figures are for illustrative purposes only and form no part of the claimed design.

(56) **References Cited**

U.S. PATENT DOCUMENTS

D427,982 S * 7/2000 Ishii D14/372
D719,953 S 12/2014 Nokuo et al.

1 Claim, 7 Drawing Sheets



(56)

References Cited

U.S. PATENT DOCUMENTS

D759,654 S	6/2016	Sullivan et al.	
D759,655 S	6/2016	Sullivan et al.	
D760,225 S	6/2016	Passmore et al.	
D761,257 S	7/2016	Passmore et al.	
D771,625 S	* 11/2016	Sullivan	D14/372
D771,627 S	* 11/2016	Ko	D14/372
D778,909 S	* 2/2017	Nokuo	D14/372
D780,751 S	* 3/2017	Park	D14/372
D781,288 S	* 3/2017	Park	D14/372
D781,289 S	* 3/2017	Patel	D14/372
D783,019 S	* 4/2017	Letbetter	D14/372

OTHER PUBLICATIONS

Bishop, R., "Tested Demos the Oculus Rift 'Crescent Bay' Virtual Reality Headset Prototype at Oculus Connect," *Laughing Squid*, Sep. 26, 2014, 2 pages.

Blain, L., "'Ancient' Oculus Rift concepts leak new controller and front-facing camera," *gamesradar*, Jun. 9, 2015, 13 pages.

Design of Head Mounted Display, *Goods Press*, No. 5, May 10, 2015, JPO Publicly Known Design No. HA27001471, 3 pages.

Design of headphone, *Sound & Vision*, No. 3, Apr. 2014, p. 28, JPO Publicly Known Design No. HB26000843.

Final Examination Report in Israel Patent Application No. 57744, mailing date Aug. 3, 2016.

First Examination Report in India Patent Application No. 278179, mailing date Apr. 9, 2016, 2 pages.

First Examination Report in India Patent Application No. 278276, mailing date May 4, 2016, 2 pages.

First Examination Report in India Patent Application No. 278277, mailing date Mar. 28, 2016, 2 pages.

First Examiner's Report in Australian Patent Application No. 366106, mailing date Feb. 26, 2016, 2 pages.

First Examiner's Report in Australian Patent Application No. 366107, mailing date Feb. 26, 2016, 2 pages.

First Examiner's Report in Australian Patent Application No. 366109, mailing date Feb. 26, 2016, 2 pages.

First Examiner's Report in Australian Patent Application No. 366110, mailing date Feb. 26, 2016, 2 pages.

First Examiner's Report in Australian Patent Application No. 366111, mailing date Feb. 26, 2016, 2 pages.

First Examiner's Report in Australian Patent Application No. 366112, mailing date Feb. 26, 2016, 2 pages.

First Examiner's Report in Canadian Patent Application No. 163156, mailing date Nov. 24, 2015, 5 pages.

First Examiner's Report in Canadian Patent Application No. 167488, mailing date Apr. 7, 2016, 5 pages.

First Examiner's Report in Canadian Patent Application No. 167489, mailing date Apr. 7, 2016, 3 pages.

First Examiner's Report in Canadian Patent Application No. 167490, mailing date Apr. 7, 2016, 3 pages.

First Examiner's Report in Canadian Patent Application No. 167491, mailing date Apr. 7, 2016, 3 pages.

First Examiner's Report in Israel Patent Application No. 57744, mailing date Feb. 4, 2016, 3 pages.

Japanese Office Action in Patent Application No. 2015-027694, mailing date Jul. 1, 2016, 4 pages, English Translation.

Lang, B., "Oculus Rift Input Controller Revealed in Leaked 'Placeholder Concept,'" Jun. 9, 2015, 2 pages.

Moynihan, T., "The Oculus Rift is Coming in Early 2016," *Wired*, May 6, 2015, 2 pages.

Notice of Allowance mailed Oct. 5, 2016, for U.S. Appl. No. 29/529,900, of Sullivan, J. filed Jun. 11, 2015.

Orland, K., "Leaked images could point to Oculus controller, final Rift design," *arstechnica*, Jun. 9, 2015, 3 pages.

Pro Audio Japan, "Product Information: MPC Headphones: Akai Professional," Mar. 4, 2014, retrieved online at <<http://akai-pro.jp/mpc-headphones/>>, JPO Publicly Known Design No. HJ25065259, 3 pages.

Restriction Requirement mailed Aug. 8, 2016, for U.S. Appl. No. 29/529,900, of Sullivan, J. filed Jun. 11, 2015.

Second Examiner's Report in Australian Patent Application No. 366106, mailing date Jul. 19, 2016, 2 pages.

Seppala, T., "Oculus Rift goes mainstream early 2016," *Engadget*, May 6, 2015, 9 pages.

U.S. Appl. No. 29/529,900 by Sullivan, J., et al., filed Jun. 11, 2015.

U.S. Appl. No. 29/575,968 by Sullivan, J., et al., filed Aug. 30, 2016.

U.S. Appl. No. 29/575,975 by Sullivan, J., et al., filed Aug. 30, 2016.

U.S. Appl. No. 29/575,981 by Sullivan, J., et al., filed Aug. 30, 2016.

U.S. Appl. No. 29/575,982 by Sullivan, J., et al., filed Aug. 30, 2016.

First Examiner's Report in Canadian Patent Application No. 167487, mailing date Sep. 13, 2016, 4 pages.

Further Examiner's Report in Canadian Patent Application No. 163156, mailing date Aug. 18, 2016, 4 pages.

Further Examiner's Report in Canadian Patent Application No. 167488, mailing date Aug. 15, 2016, 4 pages.

Further Examiner's Report in Canadian Patent Application No. 167489, mailing date Aug. 18, 2016, 3 pages.

Further Examiner's Report in Canadian Patent Application No. 167490, mailing date Aug. 18, 2016, 3 pages.

Further Examiner's Report in Canadian Patent Application No. 167491, mailing date Aug. 18, 2016, 3 pages.

U.S. Appl. No. 29/579,866 by Yee, P., et al., filed Oct. 4, 2016.

U.S. Appl. No. 29/579,868 by Yee, P., et al., filed Oct. 4, 2016.

U.S. Appl. No. 29/579,873 by Yee, P., et al., filed Oct. 4, 2016.

U.S. Appl. No. 29/579,896 by Yee, P., et al., filed Oct. 4, 2016.

U.S. Appl. No. 29/579,881 by Yee, P., et al., filed Oct. 4, 2016.

U.S. Appl. No. 29/579,890 by Yee, P., et al., filed Oct. 4, 2016.

U.S. Appl. No. 29/579,870 by Yee, P., et al., filed Oct. 4, 2016.

U.S. Appl. No. 29/579,875 by Hammerstein, J., et al., filed Oct. 4, 2016.

Chinese Design Gazette, No. 15-48, (Dec. 2, 2015), CN303479368S (JPO Publicly Known Design No. HH27008199).

EU Design Gazette, (Oct. 27, 2015), 002820712-0001 (JPO Publicly Known Design No. HH27205425).

First Examination Report in India Patent Application No. 278269, mailing date May 4, 2016, 2 pages.

First Examination Report in India Patent Application No. 278270, mailing date May 4, 2016, 2 pages.

First Examination Report in India Patent Application No. 278271, mailing date Apr. 21, 2016, 2 pages.

Form Zeitschrift fur Gestaltung, No. 2, vol. 258, p. 51 (JPO Publicly Known Design No. HB27000746).

Notice of Allowance in Japanese Patent Application No. 2015-027694, mailing date Dec. 16, 2016, 4 pages, English Translation.

Notice of Preliminary Rejection in Korean Patent Application No. 30-2015-0063428, mailing date May 13, 2016, 3 pages.

Examination Report in India Patent Application No. 289400, mailing date Jan. 2, 2017, 2 pages.

First Examination Report in India Patent Application No. 289399, mailing date Jan. 20, 2017, 2 pages.

First Examination Report in India Patent Application No. 289401, mailing date Jan. 17, 2017, 2 pages.

* cited by examiner

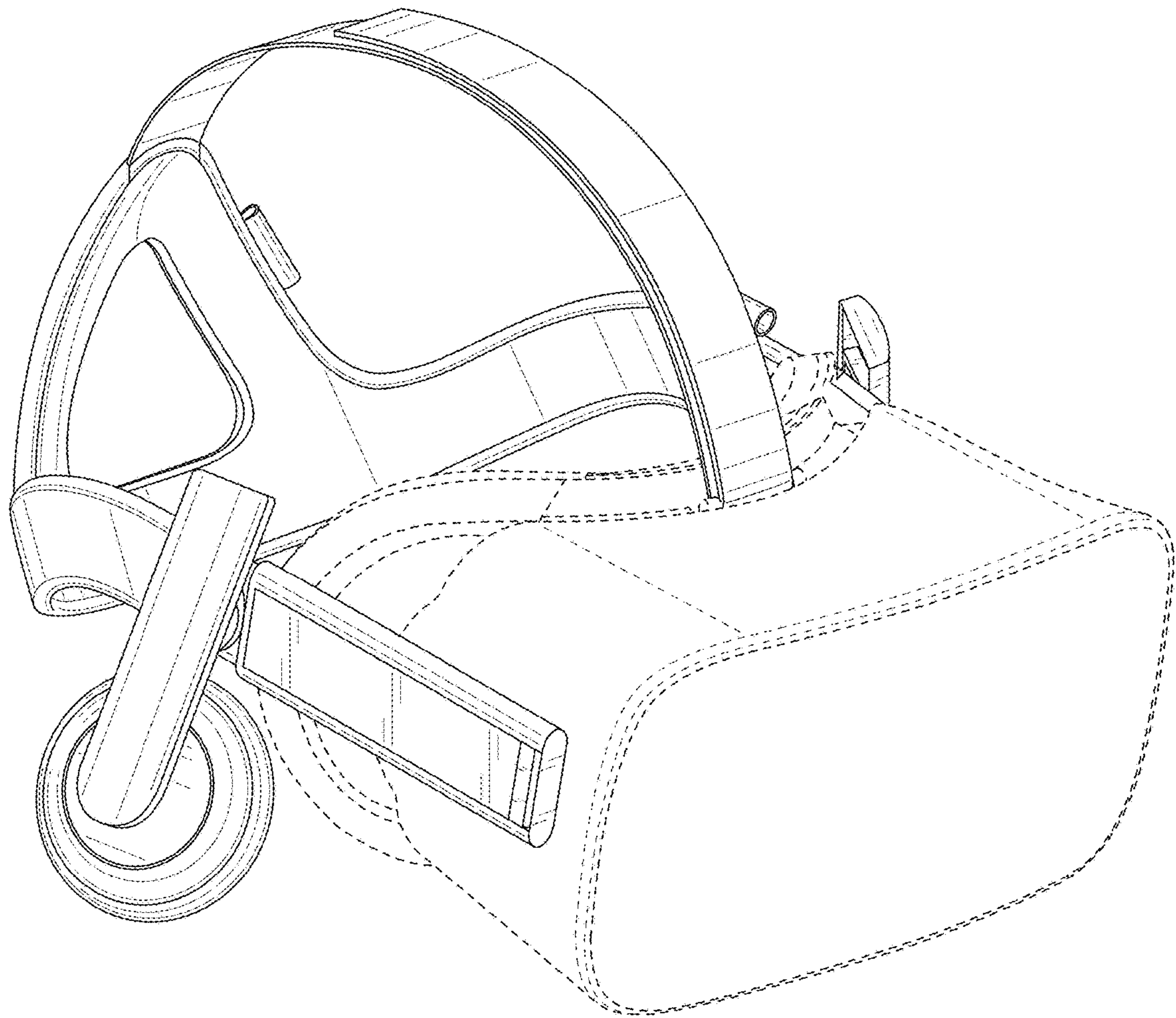


Fig. 1

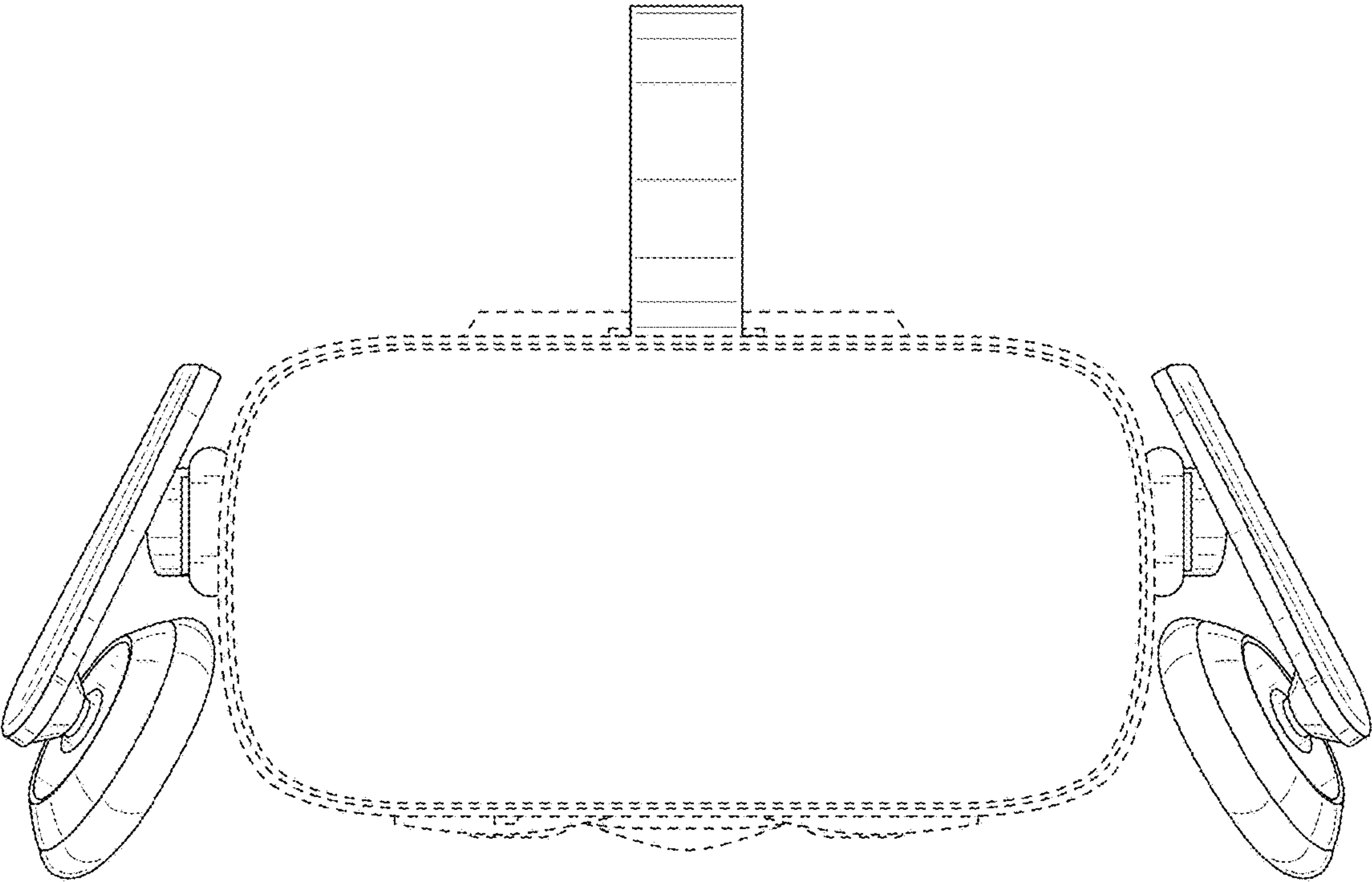


Fig. 2

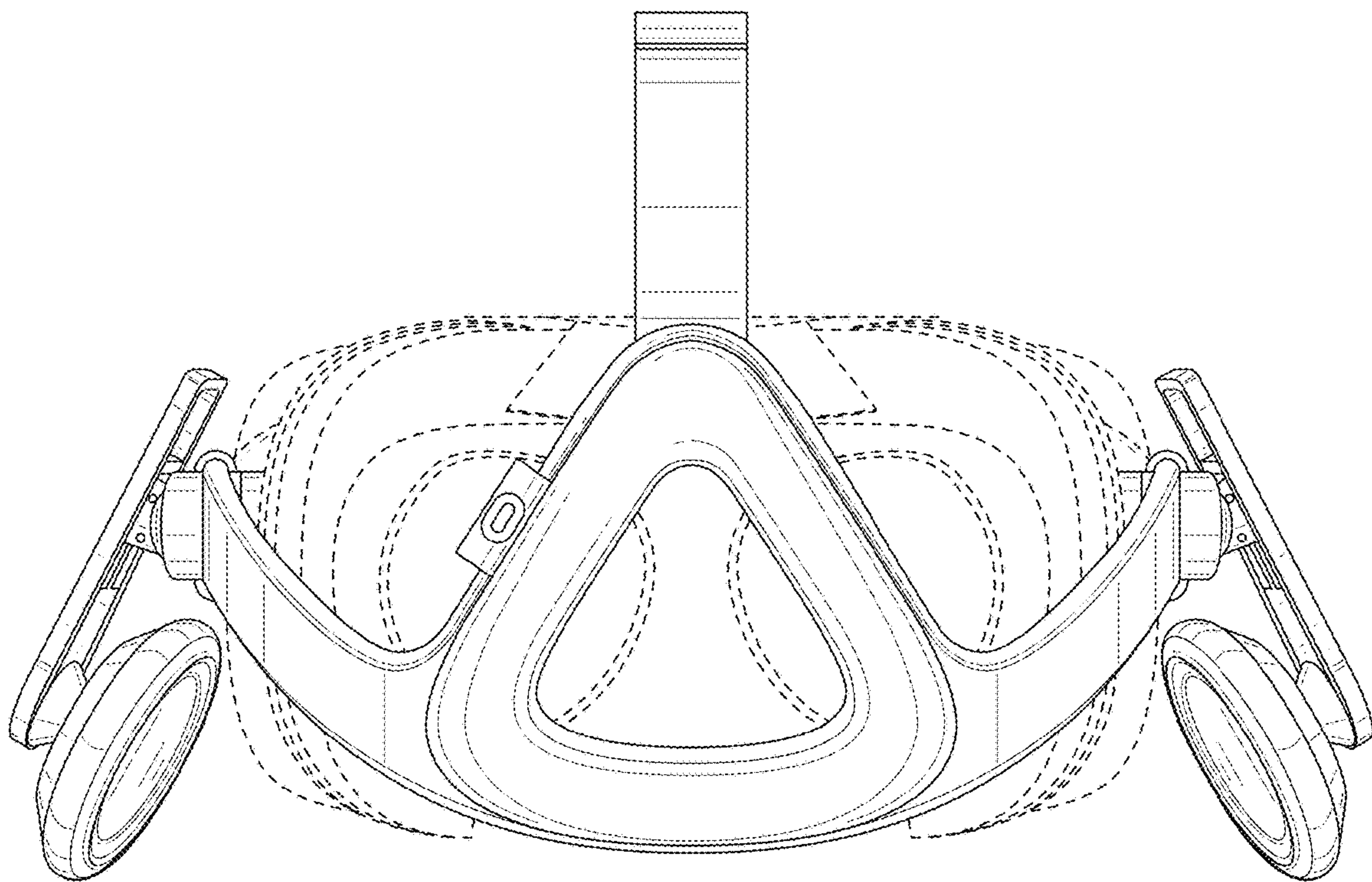


Fig. 3

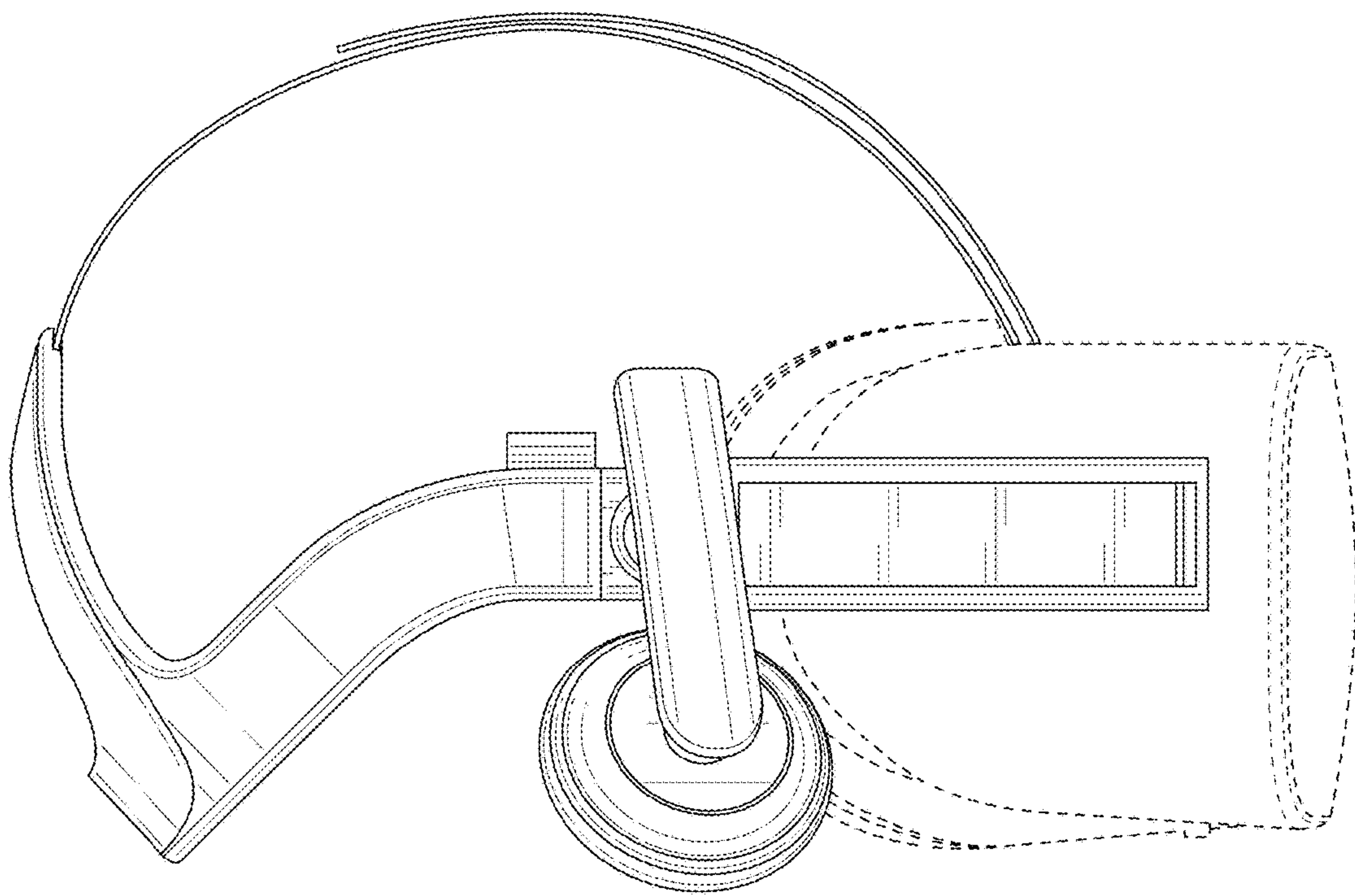


Fig. 4

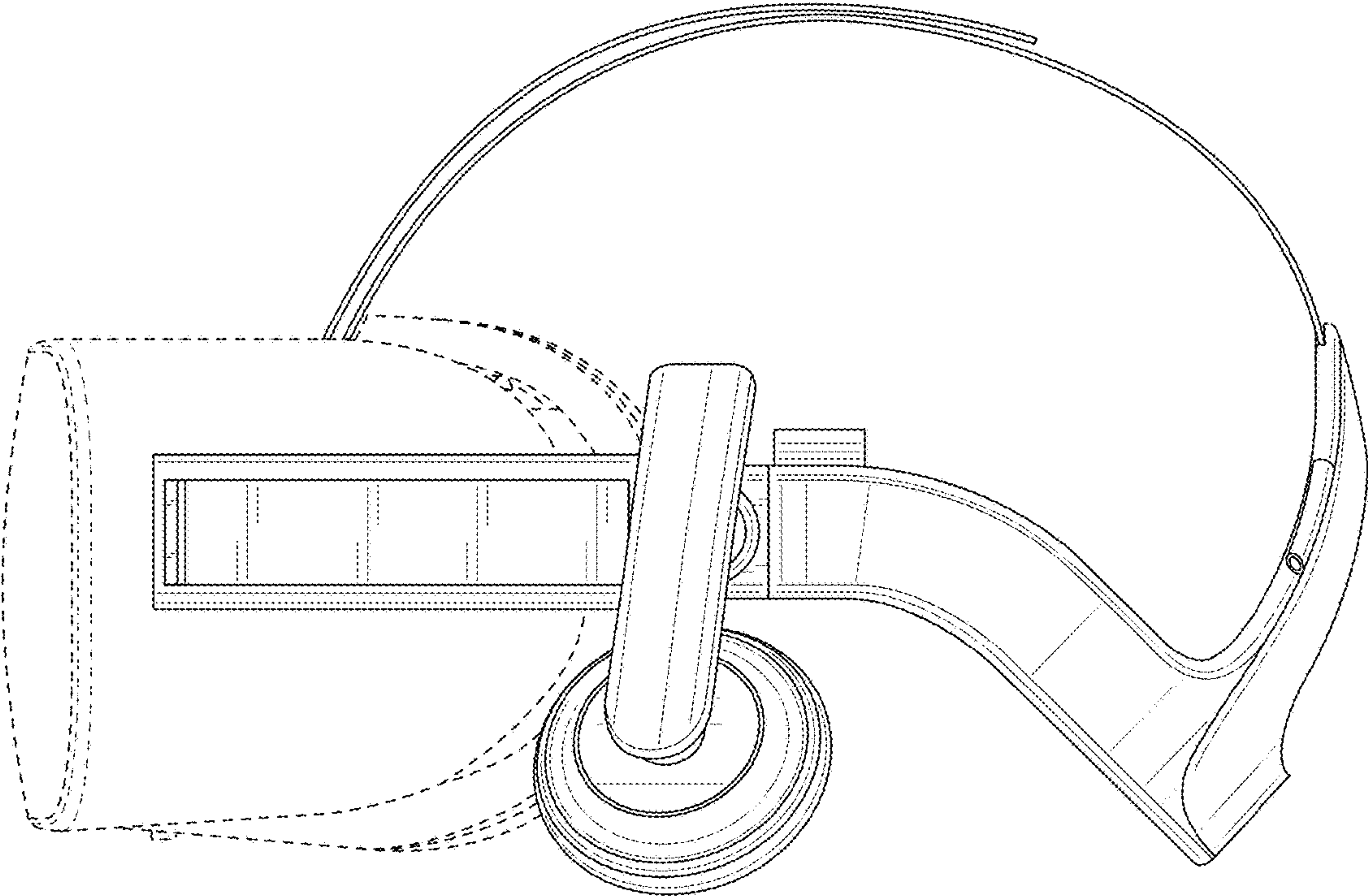


Fig. 5

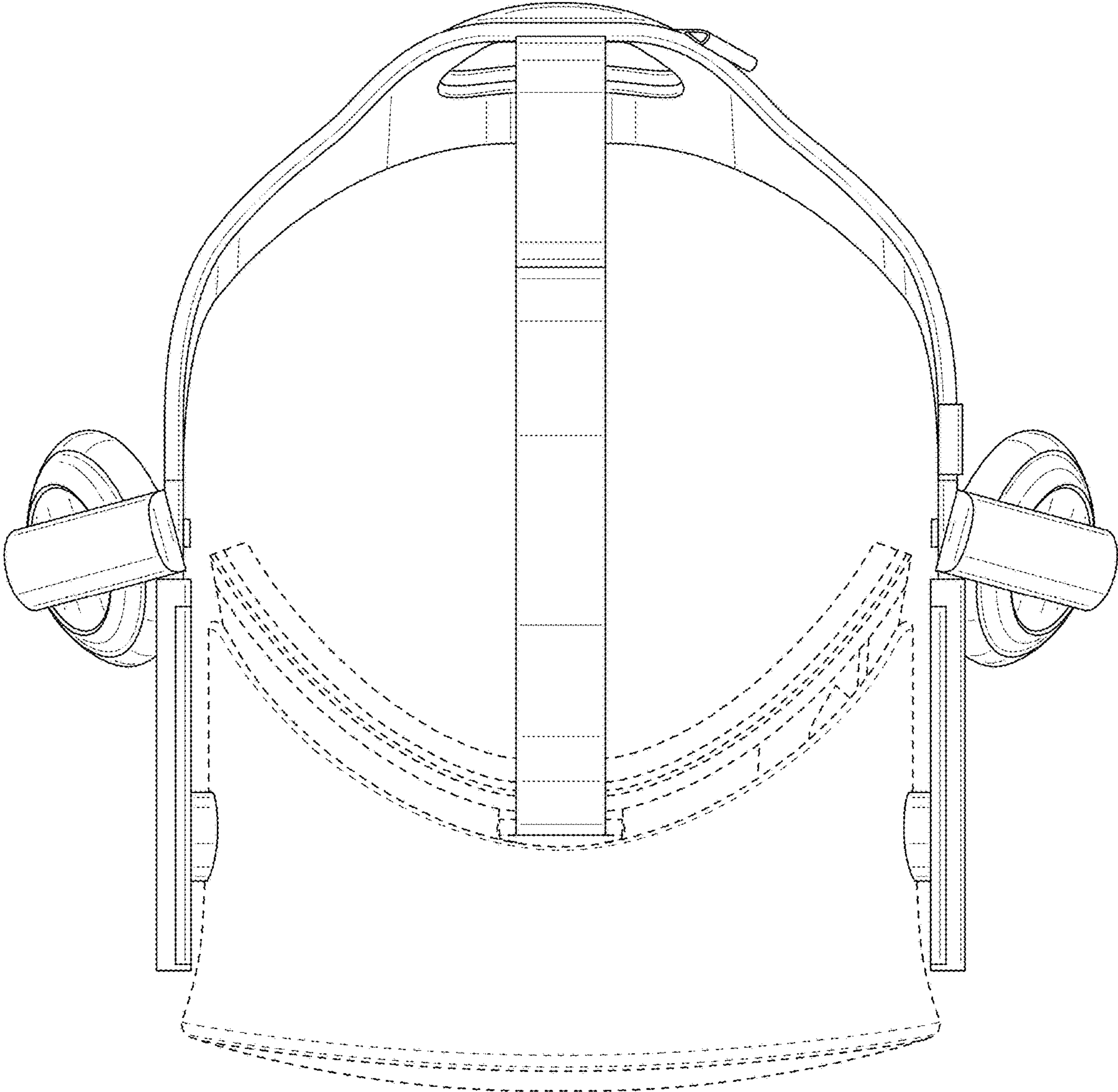


Fig. 6

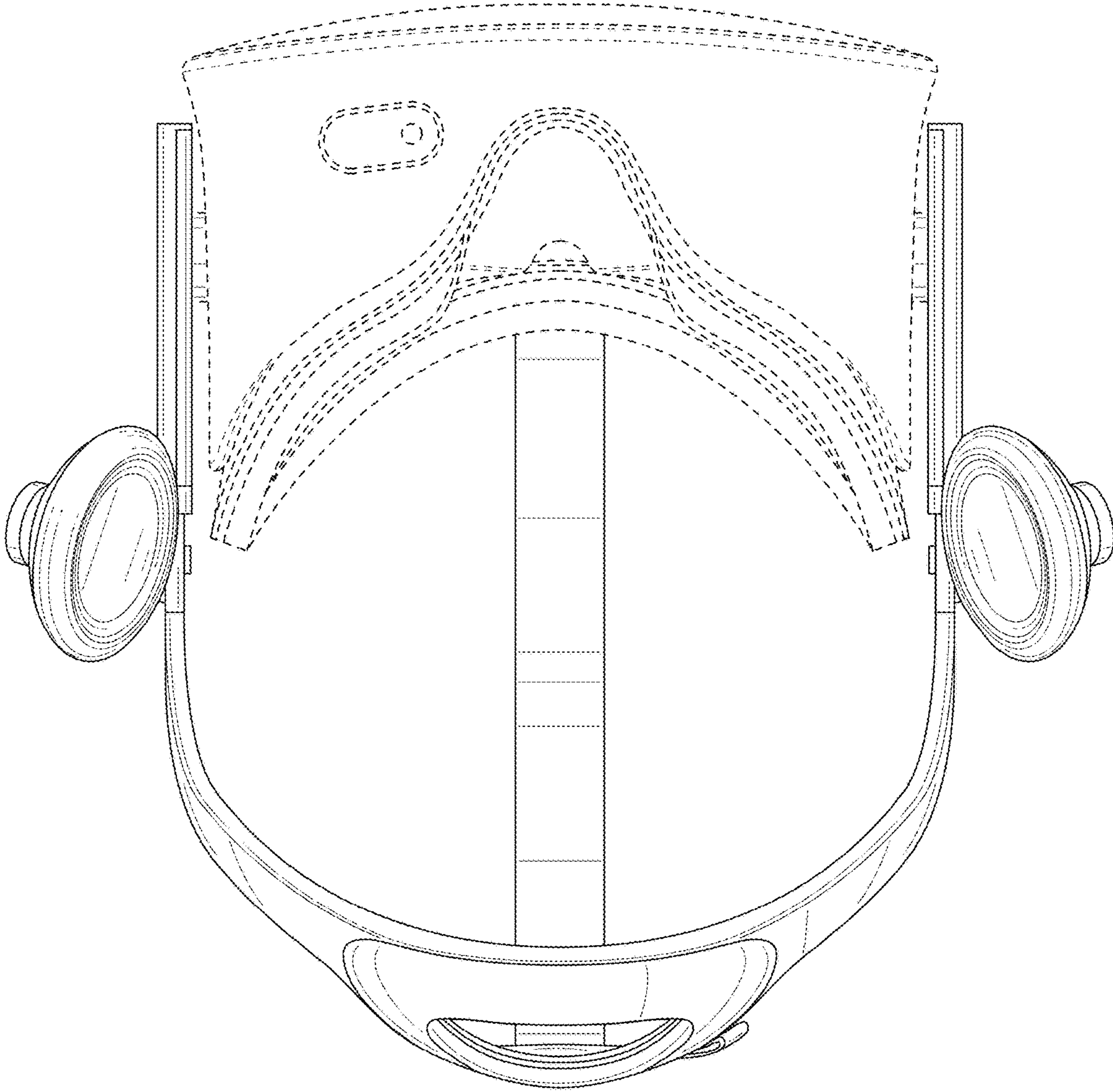


Fig. 7