

US00D791124S

(12) **United States Design Patent** (10) **Patent No.:** **US D791,124 S**
Seki (45) **Date of Patent:** **** Jul. 4, 2017**

(54) **IMAGE DISPLAY DEVICE**
(71) Applicant: **BROTHER INDUSTRIES, LTD.**,
Nagoya-shi, Aichi-ken (JP)
(72) Inventor: **Yusaku Seki**, Nagoya (JP)
(73) Assignee: **BROTHER INDUSTRIES, LTD.**,
Nagoya (JP)
(**) Term: **15 Years**
(21) Appl. No.: **29/568,942**
(22) Filed: **Jun. 22, 2016**
(30) **Foreign Application Priority Data**
Dec. 22, 2015 (JP) 2015-28476
(51) **LOC (10) Cl.** **14-02**
(52) **U.S. Cl.**
USPC **D14/372**
(58) **Field of Classification Search**
USPC D14/372, 496, 432, 371, 125, 126, 129,
D14/299; D16/300-342; 351/158, 153,
351/144; 345/7-9, 905; 455/344;
348/115, 53, 121, 739
CPC G02B 27/017; G02B 27/0158; G02B
27/0161; G02B 27/0181; G02B 27/0185;
G02B 27/0189
See application file for complete search history.

(56) **References Cited**
U.S. PATENT DOCUMENTS
D692,424 S * 10/2013 Pombo D14/372
D702,234 S * 4/2014 Pombo D14/372

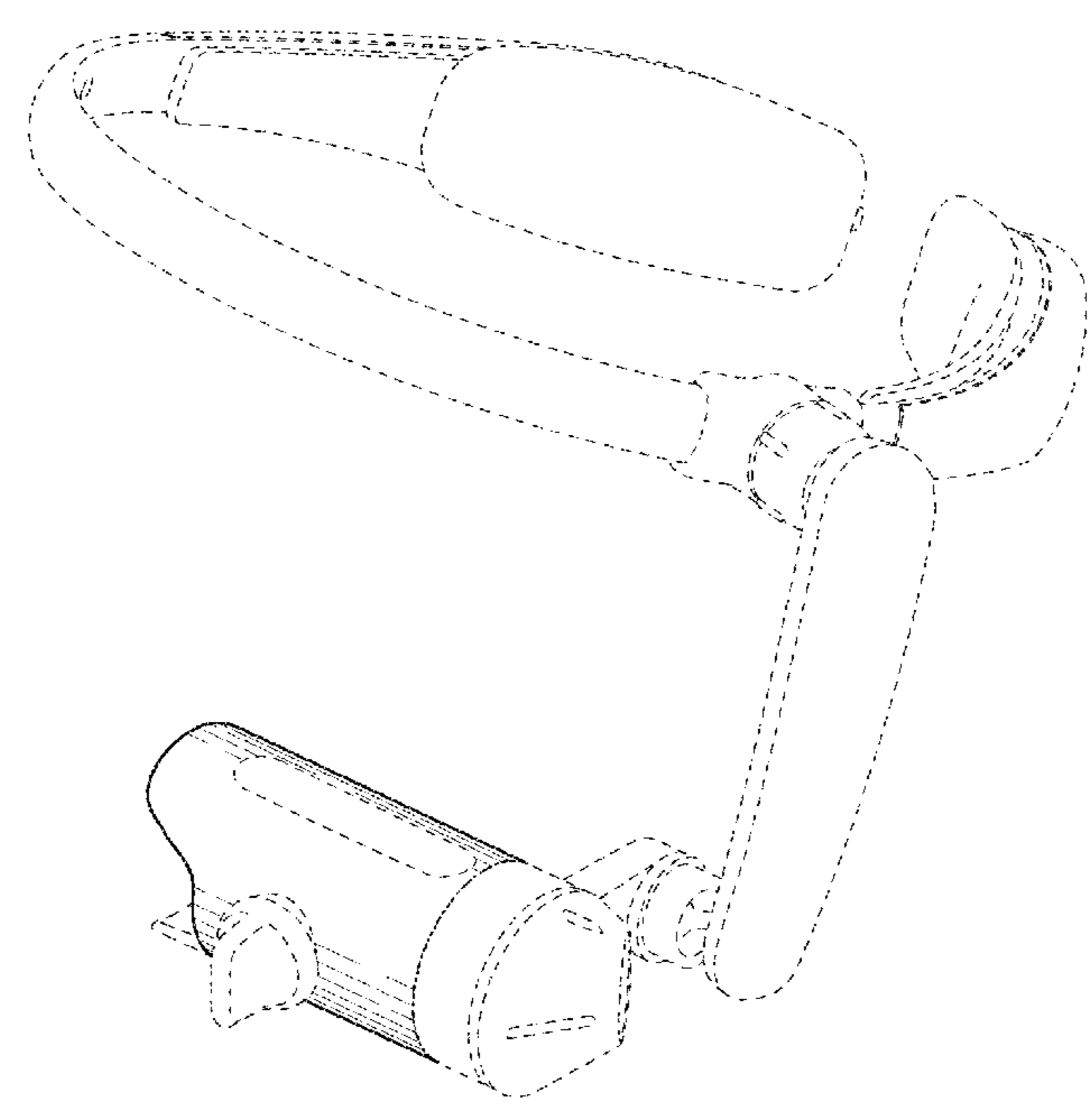
D713,406 S * 9/2014 Pombo D14/372
D714,786 S * 10/2014 Pombo D14/372
D727,896 S * 4/2015 Lалуque D14/372
D730,352 S * 5/2015 Chow D14/372
D735,193 S * 7/2015 Lee D14/372
D751,073 S * 3/2016 Nagao D14/372
D762,212 S * 7/2016 Iritani D14/372
D769,873 S * 10/2016 Cazalet D14/372
D771,040 S * 11/2016 Nuovo D14/372
D778,907 S * 2/2017 Maeda D14/372
D778,908 S * 2/2017 Mase D14/372
2013/0285886 A1* 10/2013 Pombo G02B 27/0149
345/8

* cited by examiner
Primary Examiner — Austin Murphy
(74) *Attorney, Agent, or Firm* — Oliff PLC

(57) **CLAIM**
The ornamental design for an image display device, as shown and described.

DESCRIPTION
FIG. 1 is a rear, top, right-side perspective view of an image display device;
FIG. 2 is a front, bottom, left-side perspective view thereof;
FIG. 3 is a front view thereof;
FIG. 4 is a top view thereof;
FIG. 5 is a right-side view thereof;
FIG. 6 is a left-side view thereof;
FIG. 7 is a rear view thereof; and,
FIG. 8 is a bottom view thereof.
The broken lines depict environmental subject matter only and form no part of the claimed design. The dot-dash lines depict a boundary between claimed and unclaimed subject matter, and form no party of the claimed design.

1 Claim, 7 Drawing Sheets



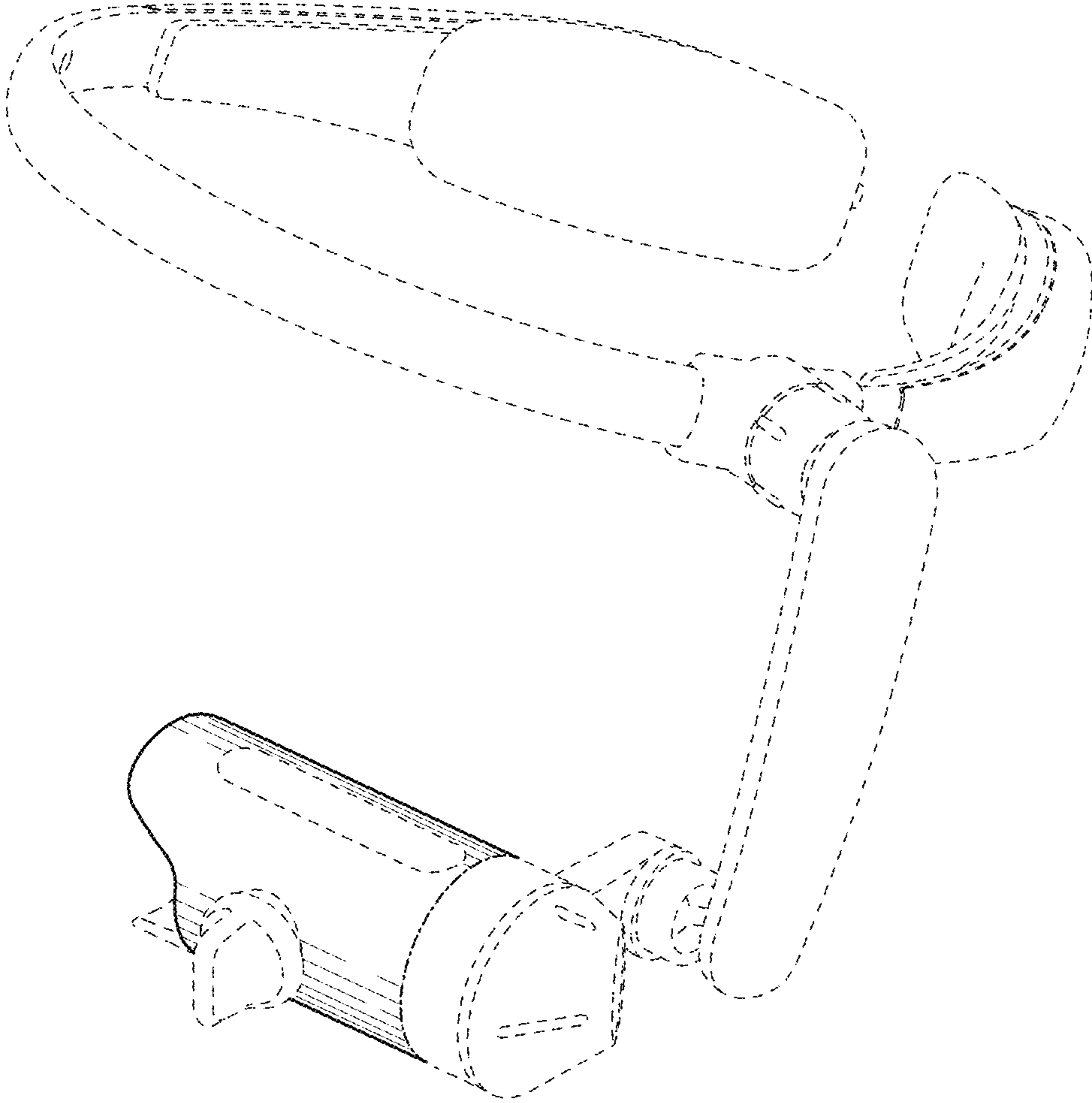


FIG. 1

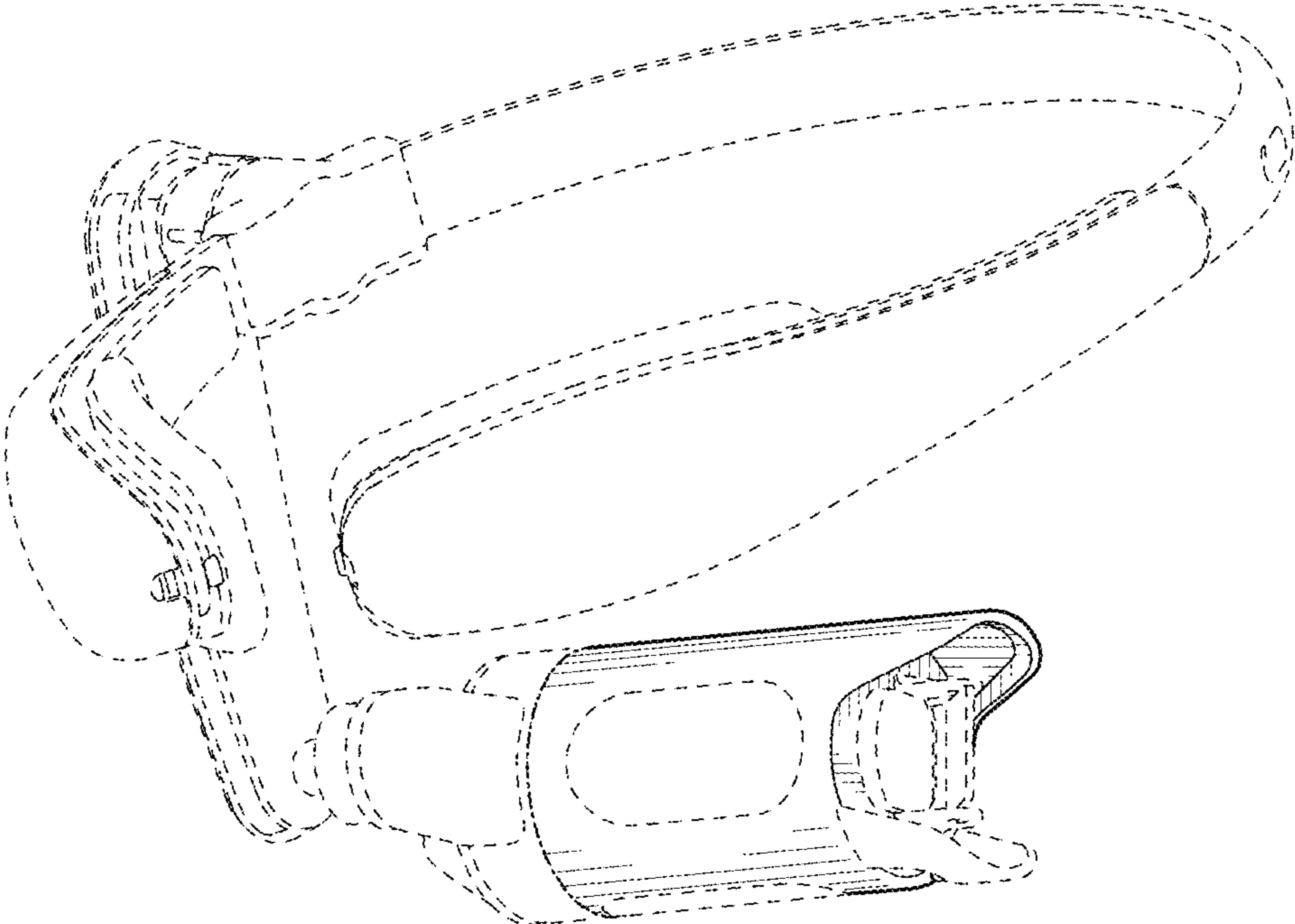


FIG. 2

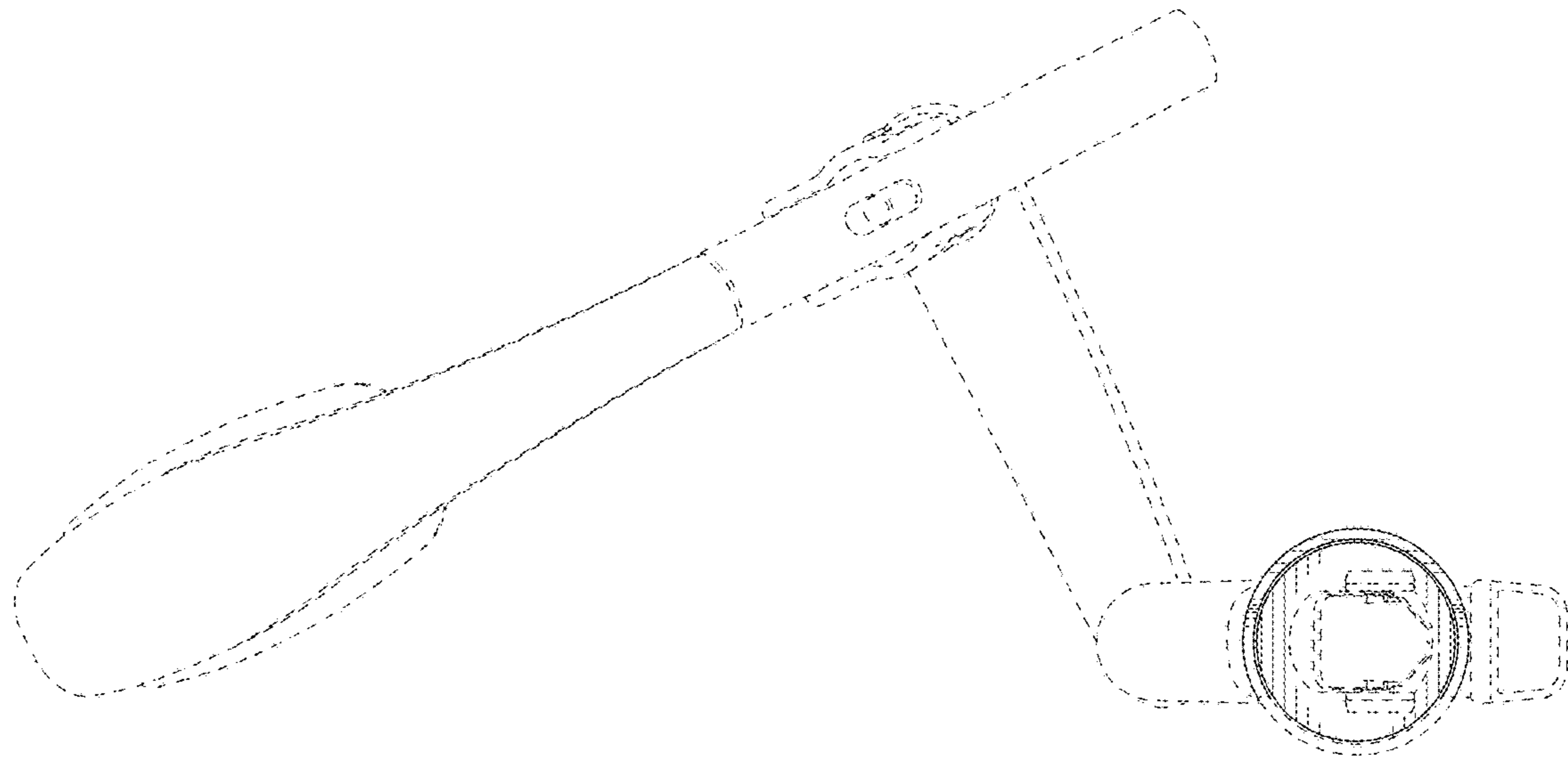


FIG. 3

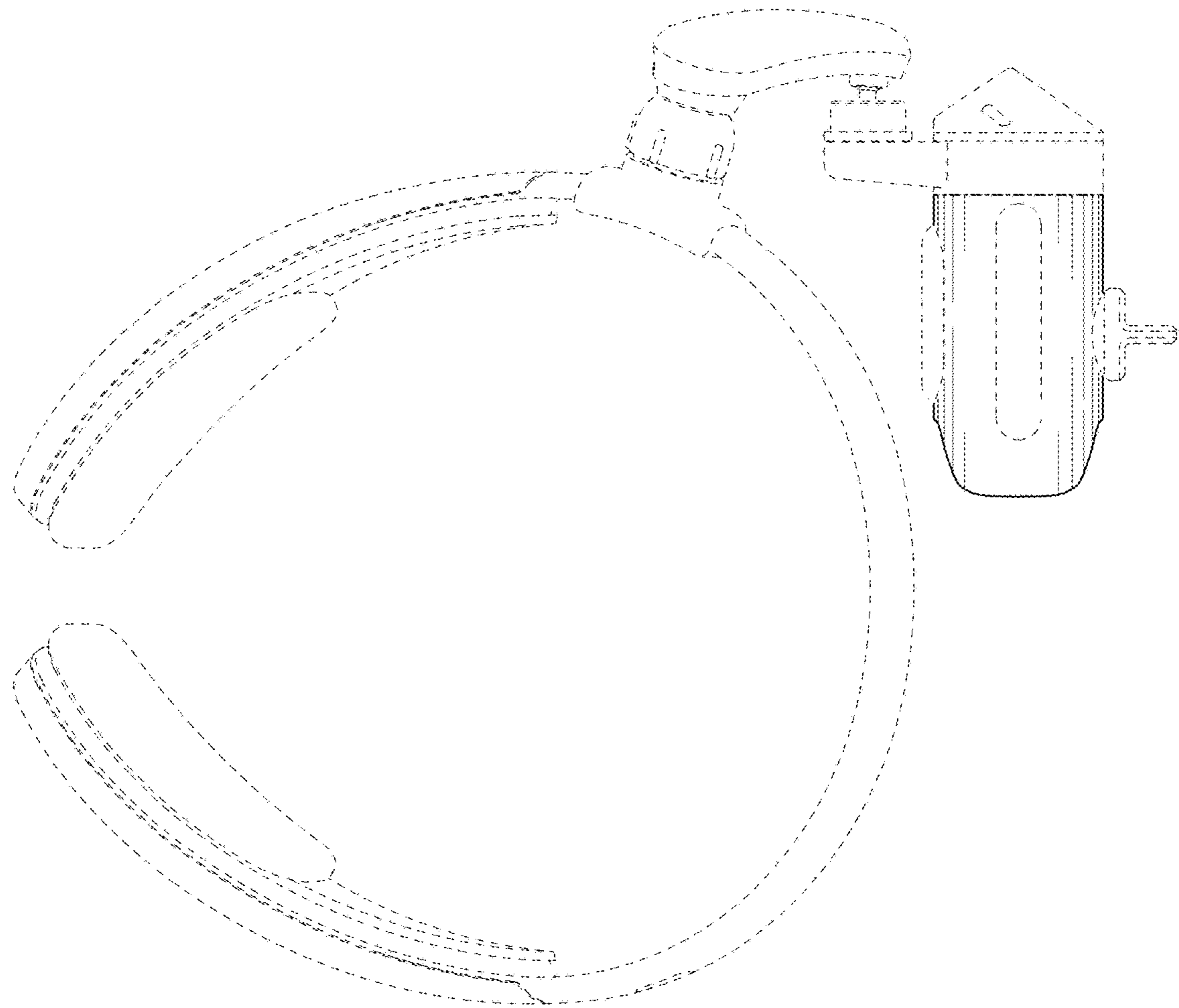


FIG. 4

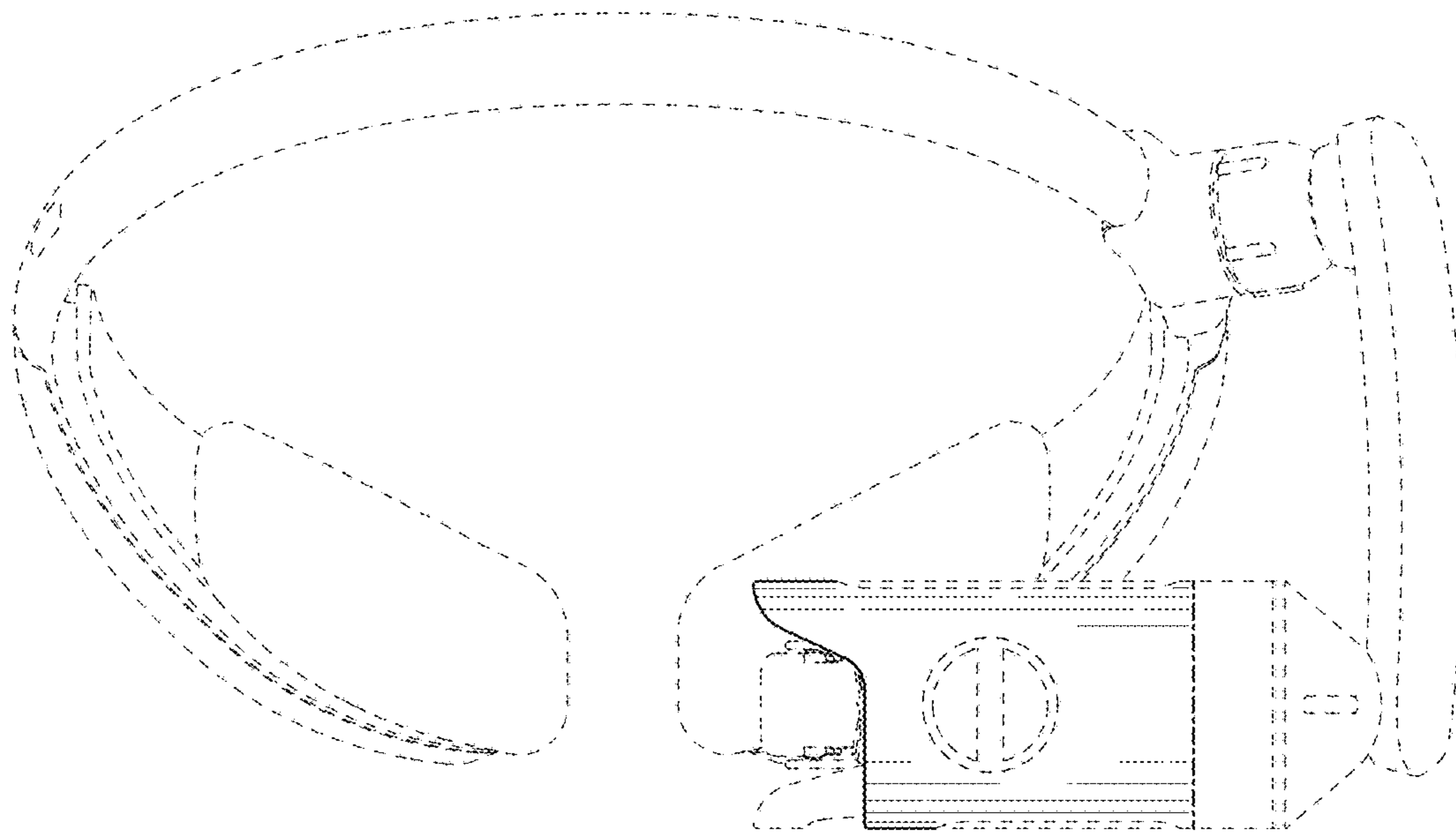


FIG. 5

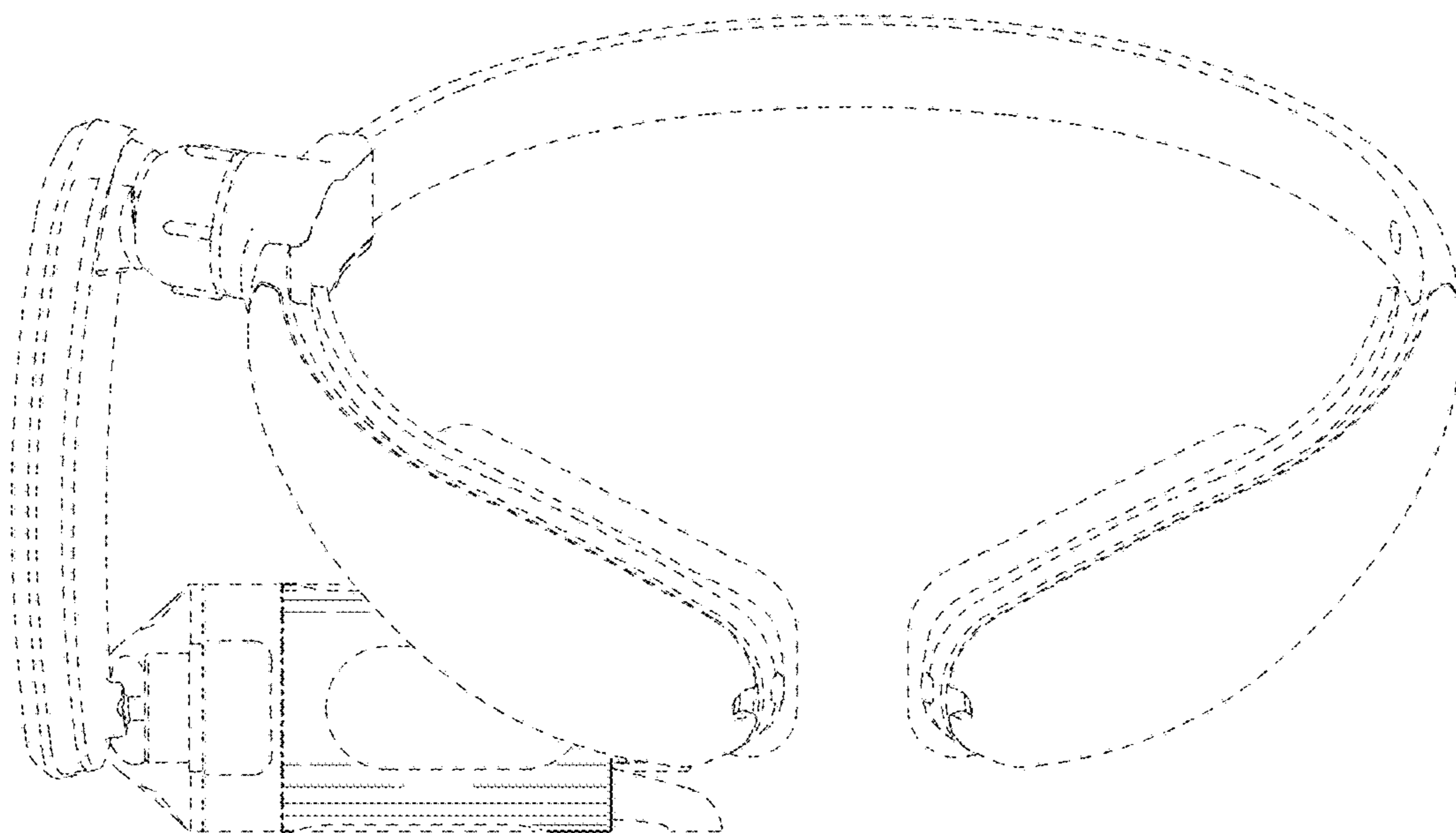


FIG. 6

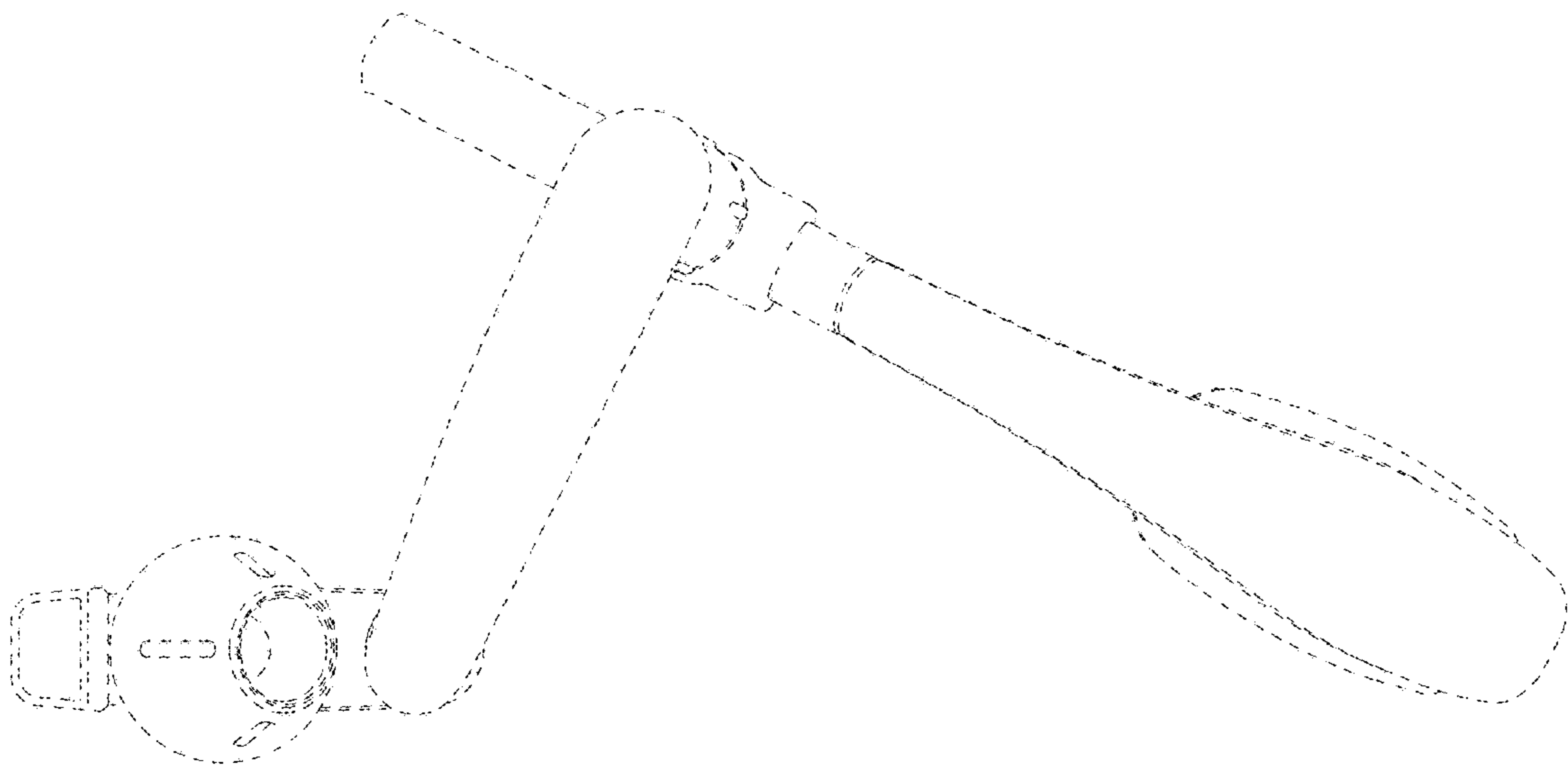


FIG. 7

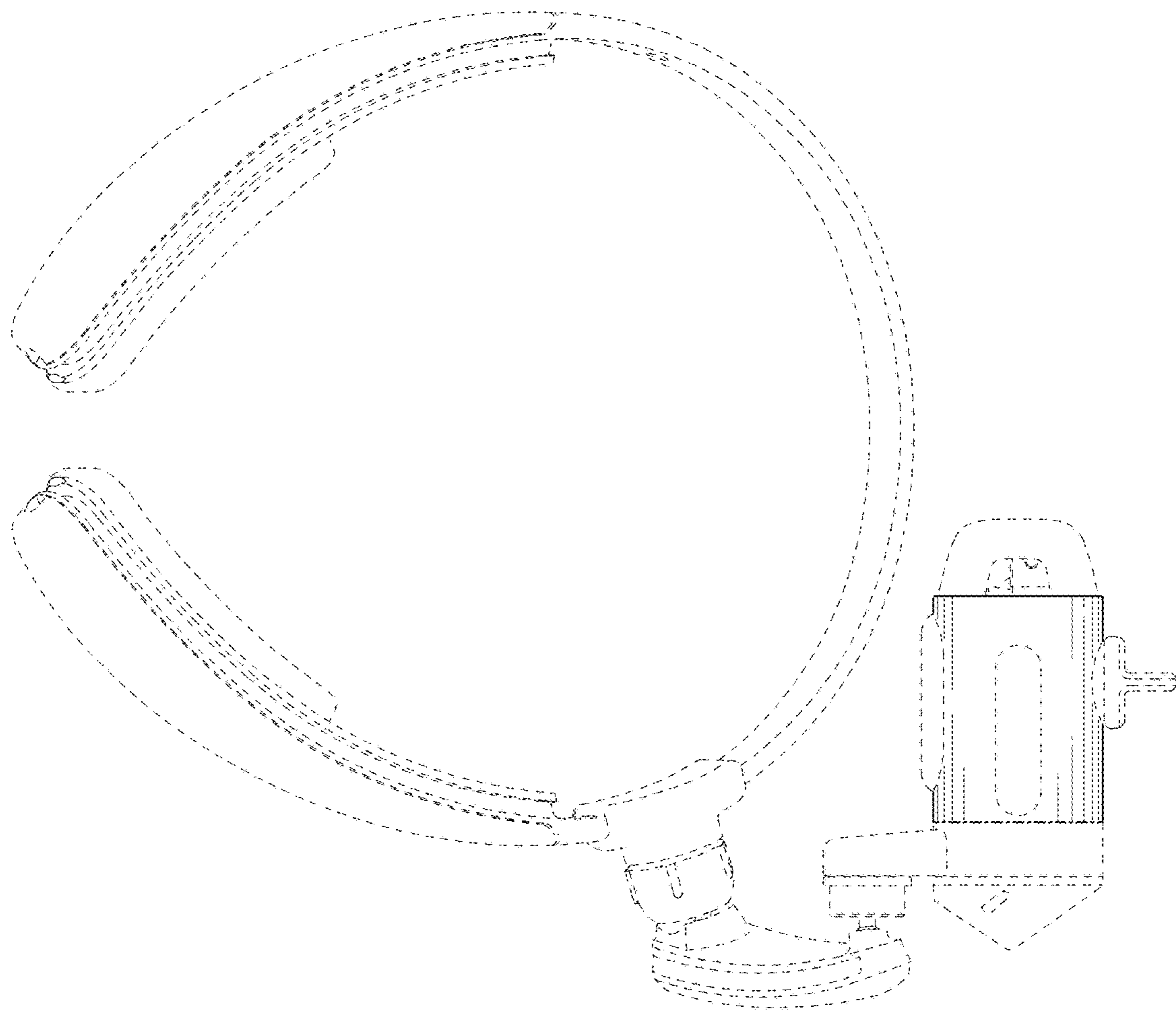


FIG. 8