



US00D791120S

(12) **United States Design Patent** (10) **Patent No.:** **US D791,120 S**
Leonard et al. (45) **Date of Patent:** **** Jul. 4, 2017**

- (54) **INFORMATION HANDLING SYSTEM HOUSING**
- (71) Applicant: **Dell Products L.P.**, Round Rock, TX (US)
- (72) Inventors: **Brian Hargove Leonard**, Austin, TX (US); **Andrew P. Tosh**, Cedar Park, TX (US); **Jung-Hwan Hong**, Austin, TX (US); **Tzu-Wei Tai**, Taipei (TW)
- (73) Assignee: **Dell Products L.P.**, Round Rock, TX (US)
- (**) Term: **15 Years**
- (21) Appl. No.: **29/553,211**
- (22) Filed: **Jan. 29, 2016**
- (51) **LOC (10) Cl.** **14-02**
- (52) **U.S. Cl.**
USPC **D14/316**
- (58) **Field of Classification Search**
USPC D14/315–327; D18/1, 2, 7, 11; 235/145 A, 145 R; 341/22, 23; 345/104, 345/156, 168, 169, 173; 361/679.08, 361/679.09, 679.11, 679.26, 679.27
CPC G06F 1/16; G06F 1/1616; G06F 1/1626; G06F 1/1632; G06F 1/1613; G06F 1/1601; G06F 1/1618; G06F 1/162; G06F 1/166; G06F 1/1654; G06F 1/1681; G06F 1/1637; G06F 1/1688; G06F 1/1656; H01R 35/02; H03M 11/00; G09B 13/04; H03K 17/94; G09G 5/00; F16M 11/10; H05K 5/00; H04M 1/0237
See application file for complete search history.

- D395,039 S * 6/1998 Murphy D14/342
- 6,714,403 B2 * 3/2004 Furuki G06F 3/0221 345/168
- D494,176 S * 8/2004 Porter D14/336
- 6,775,129 B1 * 8/2004 Ghosh G06F 1/162 361/679.09
- D587,296 S * 2/2009 Kuramochi D18/4.5
- 7,690,576 B2 * 4/2010 Ladouceur H04M 1/0237 235/472.01
- D705,773 S * 5/2014 Tian D14/316
- D708,177 S * 7/2014 Honda D14/316

(Continued)

Primary Examiner — Freda S Nunn
(74) *Attorney, Agent, or Firm* — Terrile, Cannatti, Chambers & Holland, LLP; Robert W. Holland

(57) **CLAIM**

The ornamental design for an information handling system housing, as shown and described.

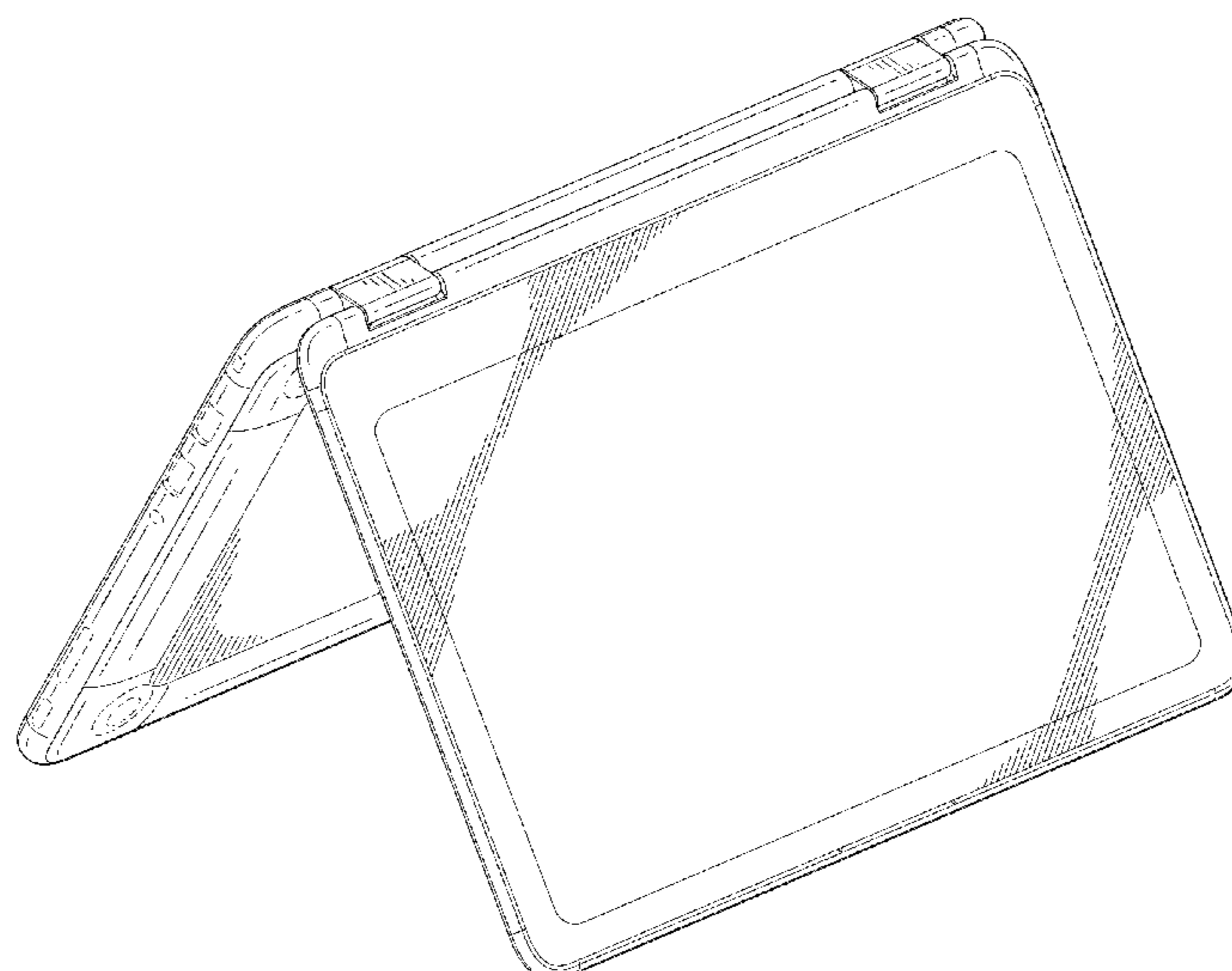
DESCRIPTION

FIG. 1 is a front perspective view of the information handling system housing in a closed position comprising the present invention;
FIG. 2 is a front view thereof;
FIG. 3 is a rear view thereof;
FIG. 4 is a right side view thereof;
FIG. 5 is a left side view thereof;
FIG. 6 is a top view thereof;
FIG. 7 is a bottom view thereof;
FIG. 8 is a rear perspective view thereof in a reversed closed position showing the tablet;
FIG. 9 is a front perspective view thereof in an open position; and,
FIG. 10 is a rear perspective view thereof in a reversed opened position showing the tablet while the main body of the housing serves as a stand.
Broken lines shown in the drawings illustrate portions of the information handling system housing, and form no part of the claimed design.

1 Claim, 8 Drawing Sheets

(56) **References Cited**
U.S. PATENT DOCUMENTS

- D330,197 S * 10/1992 Kajita D14/320
- D355,170 S * 2/1995 Mizusugi D14/336



(56)

References Cited

U.S. PATENT DOCUMENTS

D717,296 S * 11/2014 Oh D14/316
D729,792 S * 5/2015 Kurimoto D14/315

* cited by examiner

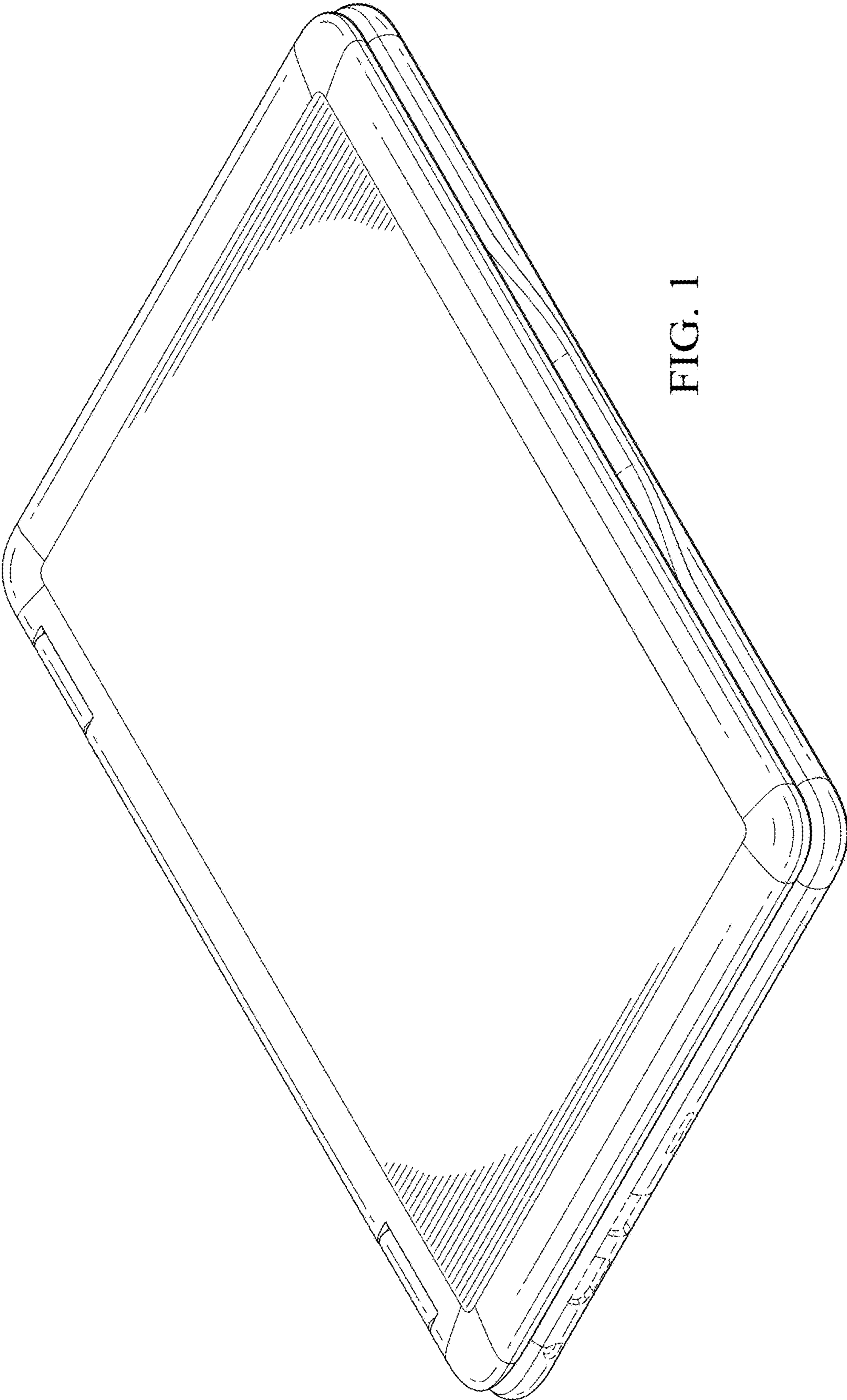


FIG. 1

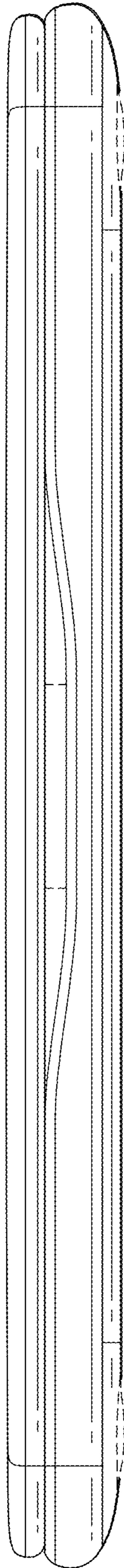


FIG. 2

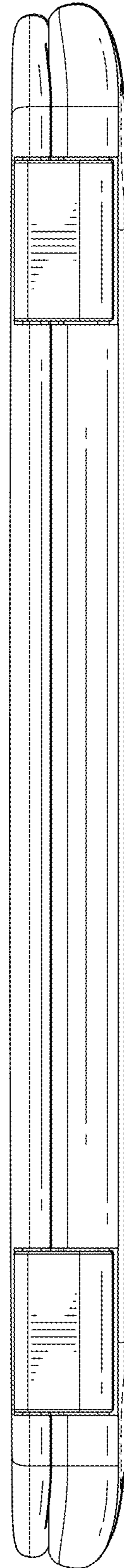


FIG. 3

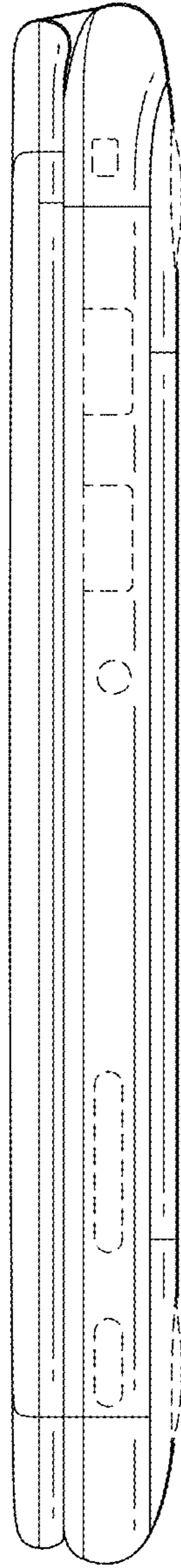


FIG. 4

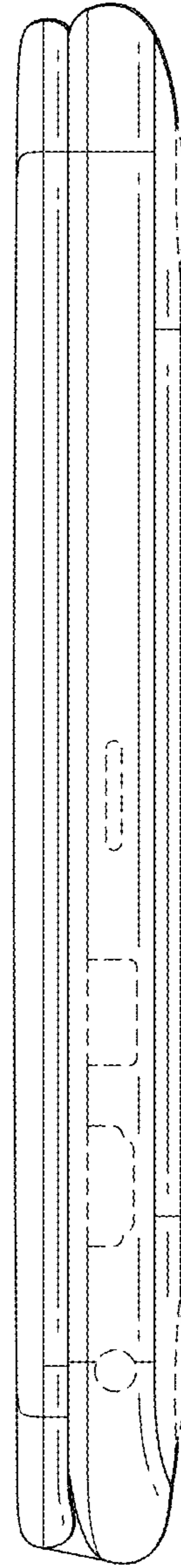


FIG. 5

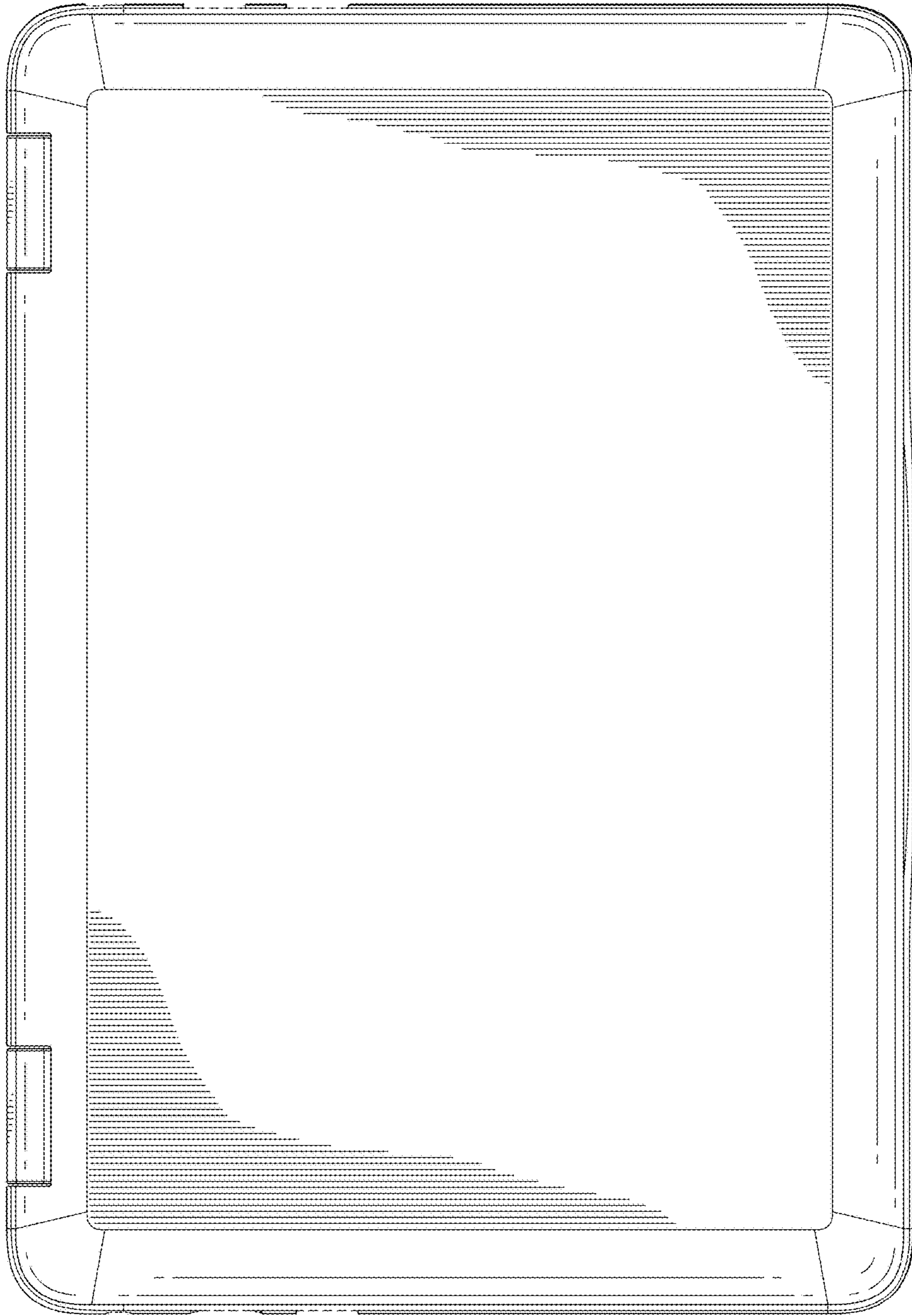


FIG. 6

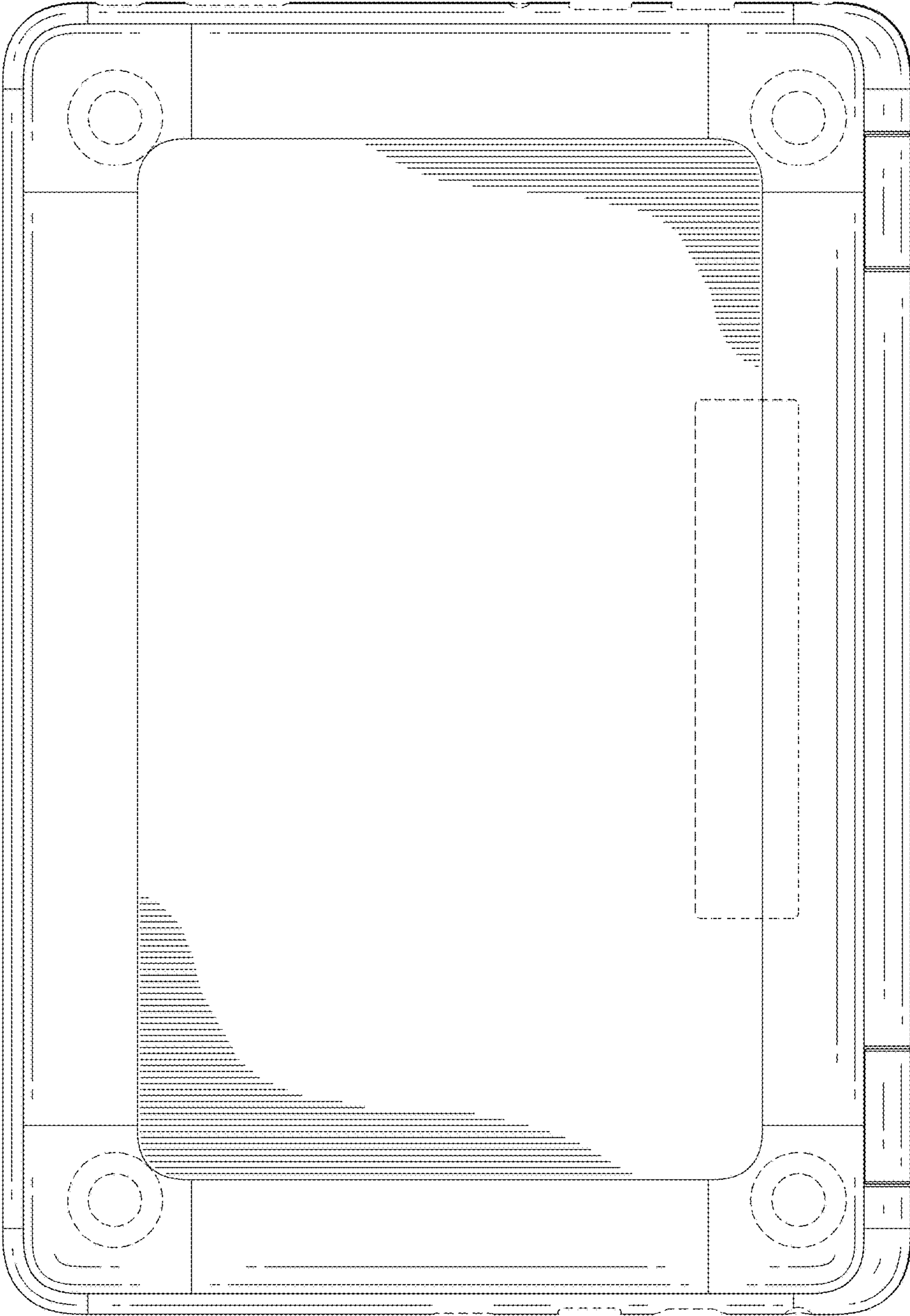


FIG. 7

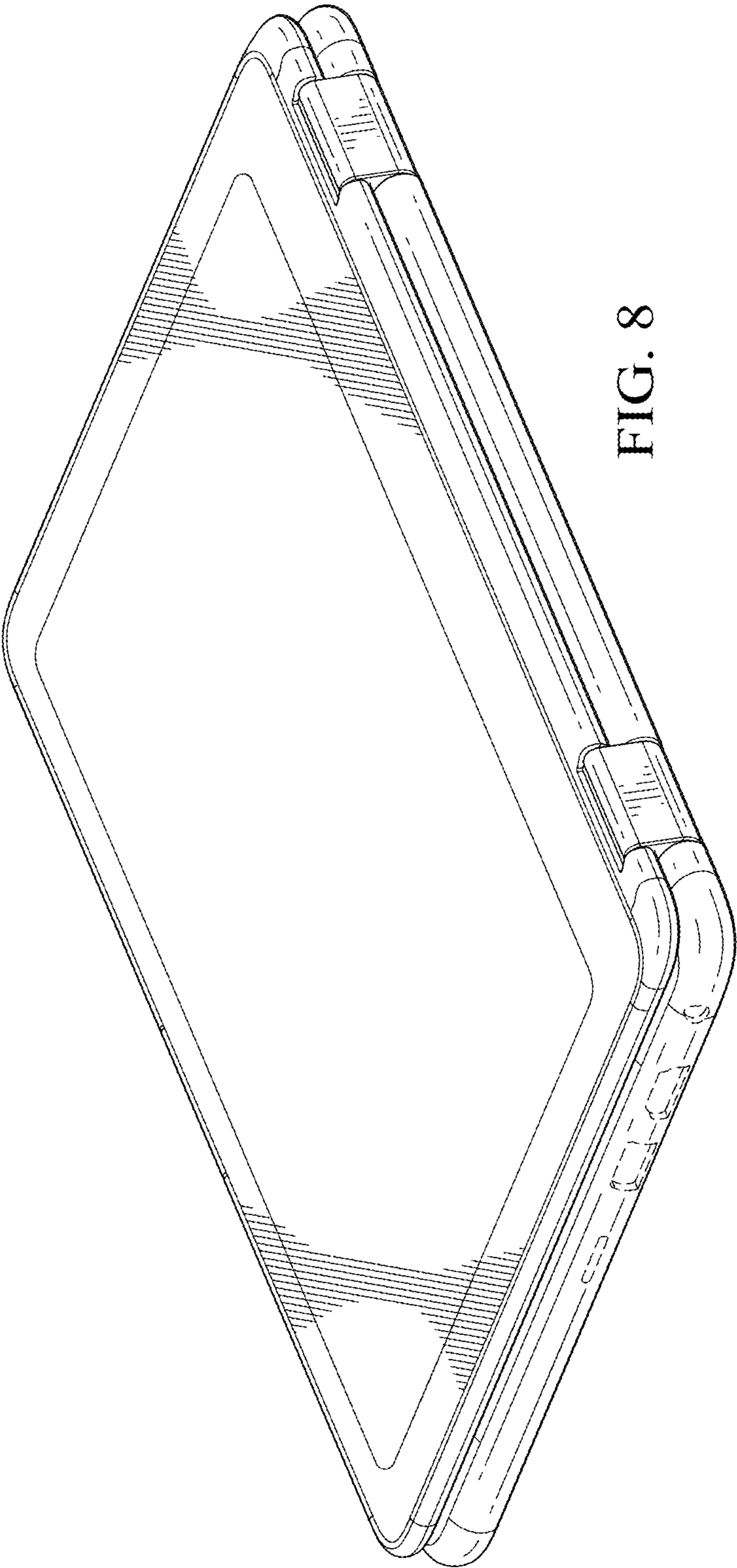


FIG. 8

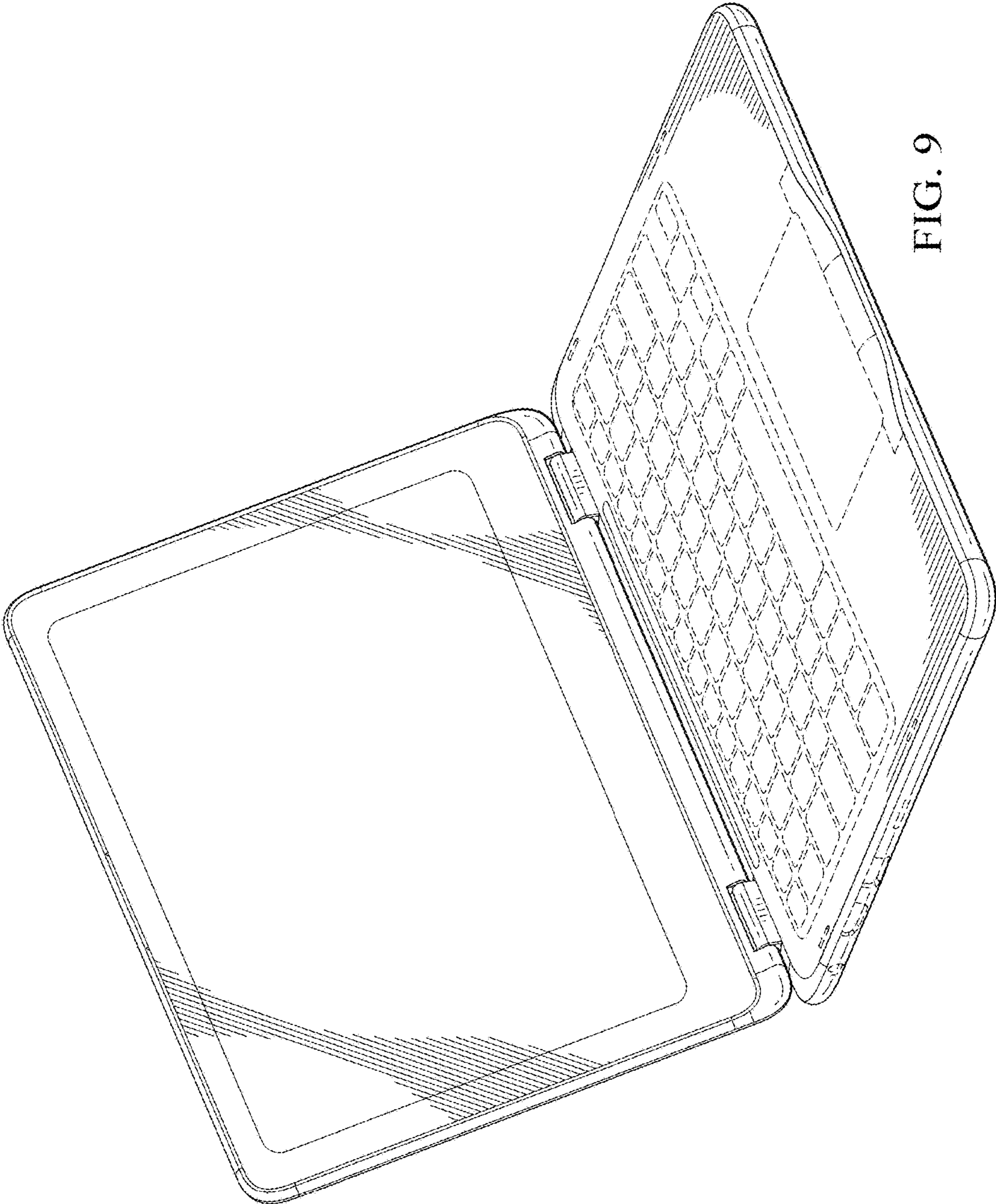


FIG. 9

