

US00D791119S

(12) **United States Design Patent** (10) **Patent No.:** **US D791,119 S**
Quilling (45) **Date of Patent:** **** Jul. 4, 2017**

(54) **AUTO STEREO MOUNTING DEVICE**
(71) Applicant: **Metra Electronics Corporation**, Holly Hill, FL (US)
(72) Inventor: **R. Spencer Quilling**, Holly Hill, FL (US)
(73) Assignee: **Metra Electronics Corporation**, Holly Hill, FL (US)
(**) Term: **15 Years**
(21) Appl. No.: **29/562,459**

D550,270 S *	9/2007	Astill	D6/300
D562,780 S *	2/2008	Egea Soler	D13/177
D581,408 S *	11/2008	Fiore, IV	D14/258
D602,930 S *	10/2009	Quilling, II	D14/258
D625,928 S *	10/2010	Lee	D6/300
D632,346 S *	2/2011	Hardstaff	D21/501
D638,832 S *	5/2011	Quilling, II	D14/258
D639,287 S *	6/2011	Quilling, II	D14/258
D639,291 S *	6/2011	Quilling, II	D14/258
D639,637 S *	6/2011	Marrero	D8/353
D639,793 S *	6/2011	Quilling, II	D14/258
D639,796 S *	6/2011	Quilling, II	D14/258
D640,684 S *	6/2011	Fiore, IV	D14/258
D725,094 S *	3/2015	Fiore, IV	D14/258
D725,096 S *	3/2015	Quilling, II	D14/258

* cited by examiner

(22) Filed: **Apr. 26, 2016**
(51) **LOC (10) Cl.** **14-03**
(52) **U.S. Cl.**
USPC **D14/258**
(58) **Field of Classification Search**
USPC D12/192-193, 195, 415, 420; D14/496, D14/498-506, 154, 157, 168-171, D14/188-198, 257-258; 248/27.1, 27.3, 248/558; 455/347, 350; D8/353; D6/300, 309
CPC B60R 11/02; B60K 37/04; B60K 37/06; H04B 1/08; H04B 1/082
See application file for complete search history.

Primary Examiner — Sandra Morris
(74) *Attorney, Agent, or Firm* — J. Wiley Horton

(57) **CLAIM**

The ornamental design for an “auto stereo mounting device,” as shown and described.

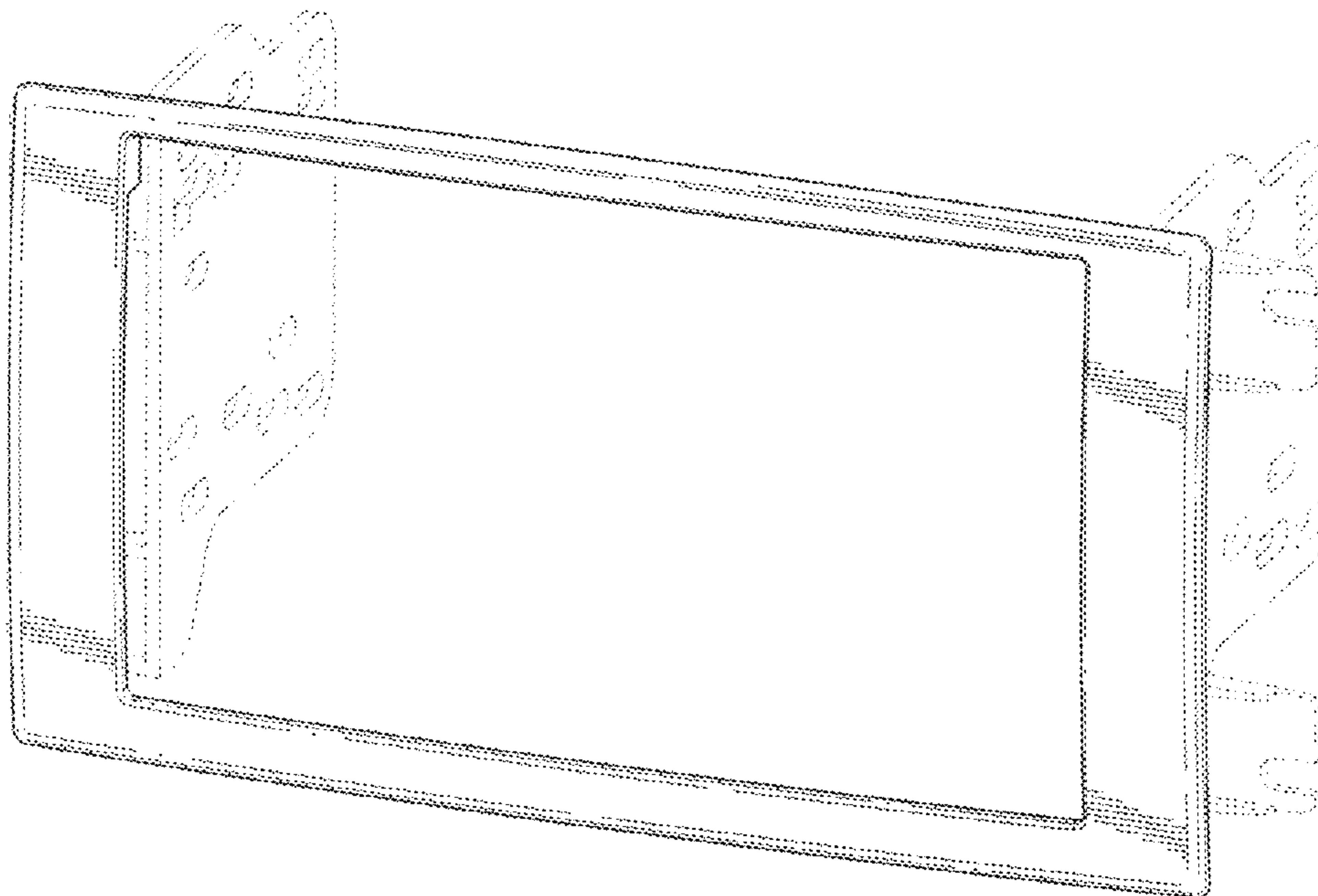
DESCRIPTION

FIG. 1 is a perspective view of an auto stereo mounting device, showing my design;
FIG. 2 is a front elevation view of FIG. 1;
FIG. 3 is a rear elevation view of FIG. 1;
FIG. 4 is a right side elevation view of FIG. 1;
FIG. 5 is a left side elevation view of FIG. 1;
FIG. 6 is a top plan view of FIG. 1; and,
FIG. 7 is a bottom plan view of FIG. 1.
The broken lines shown in all views illustrate mounting features which form no part of the claimed design.

1 Claim, 7 Drawing Sheets

(56) **References Cited**
U.S. PATENT DOCUMENTS

D294,353 S *	2/1988	Sprague	D12/415
D488,160 S *	4/2004	Korpai	D6/300
D496,028 S *	9/2004	Quilling, II	D14/224
D533,049 S *	12/2006	Fabrizi	D8/353
D545,661 S *	7/2007	Quilling, II	D14/258



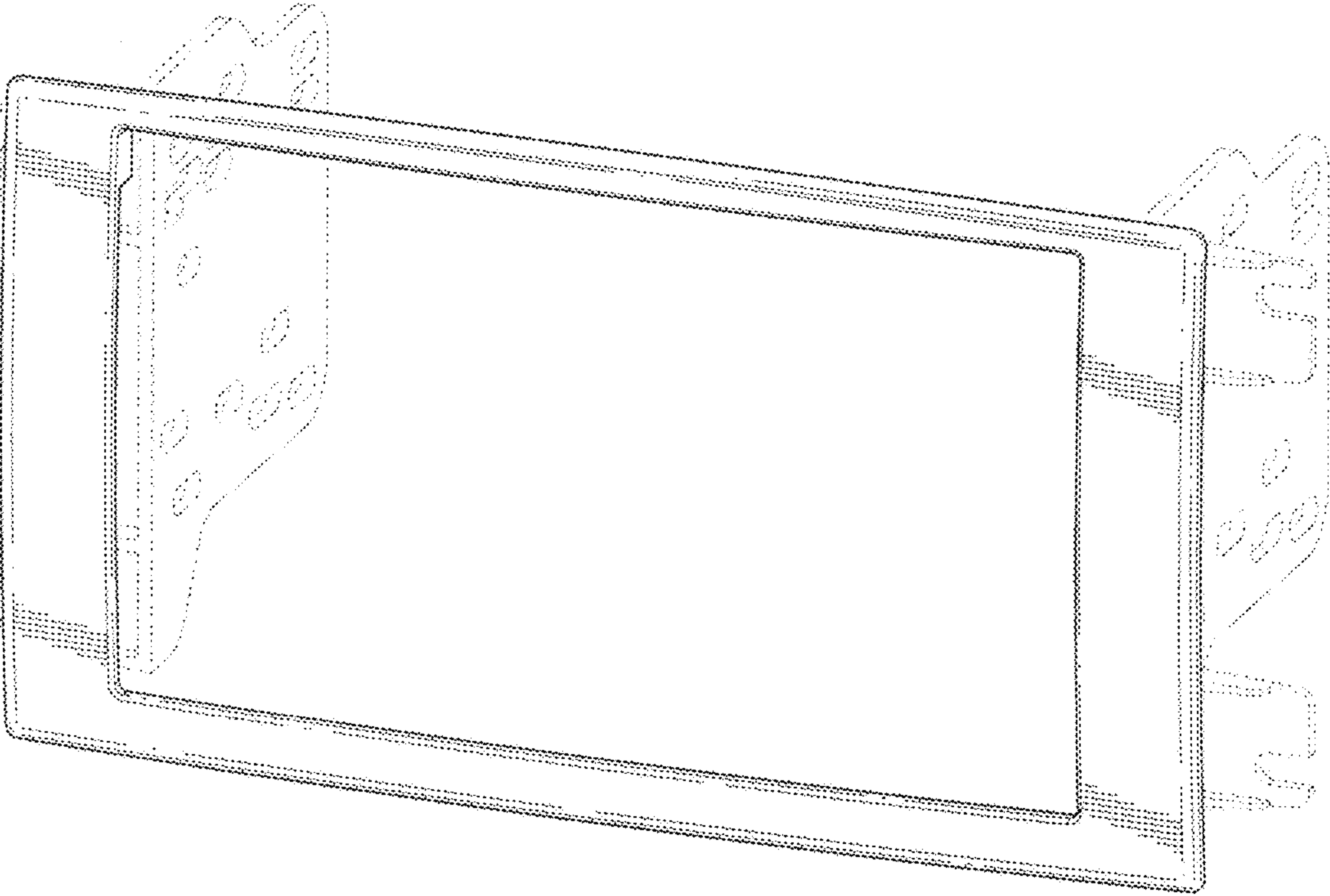


FIG. 1

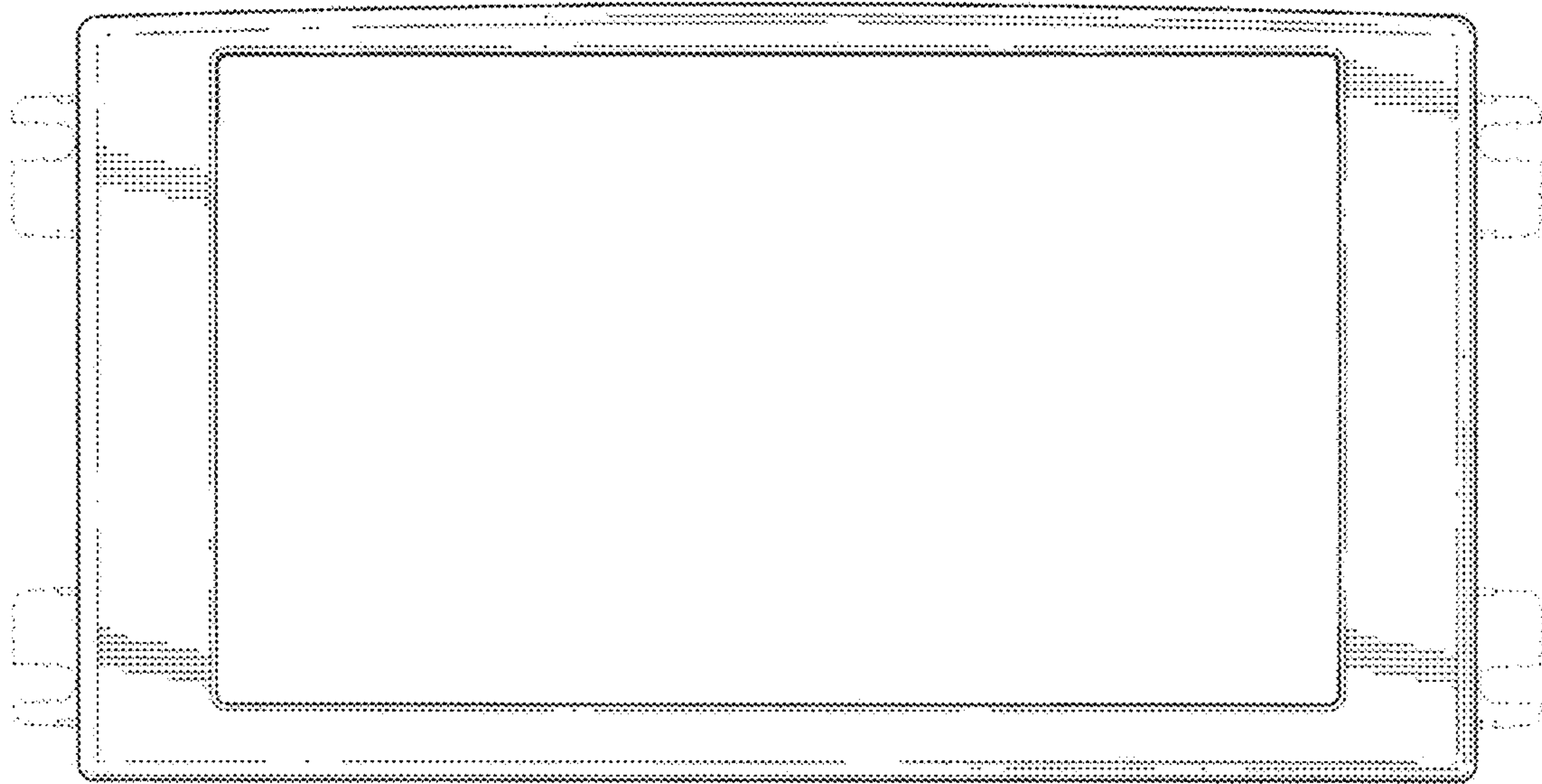


FIG. 2

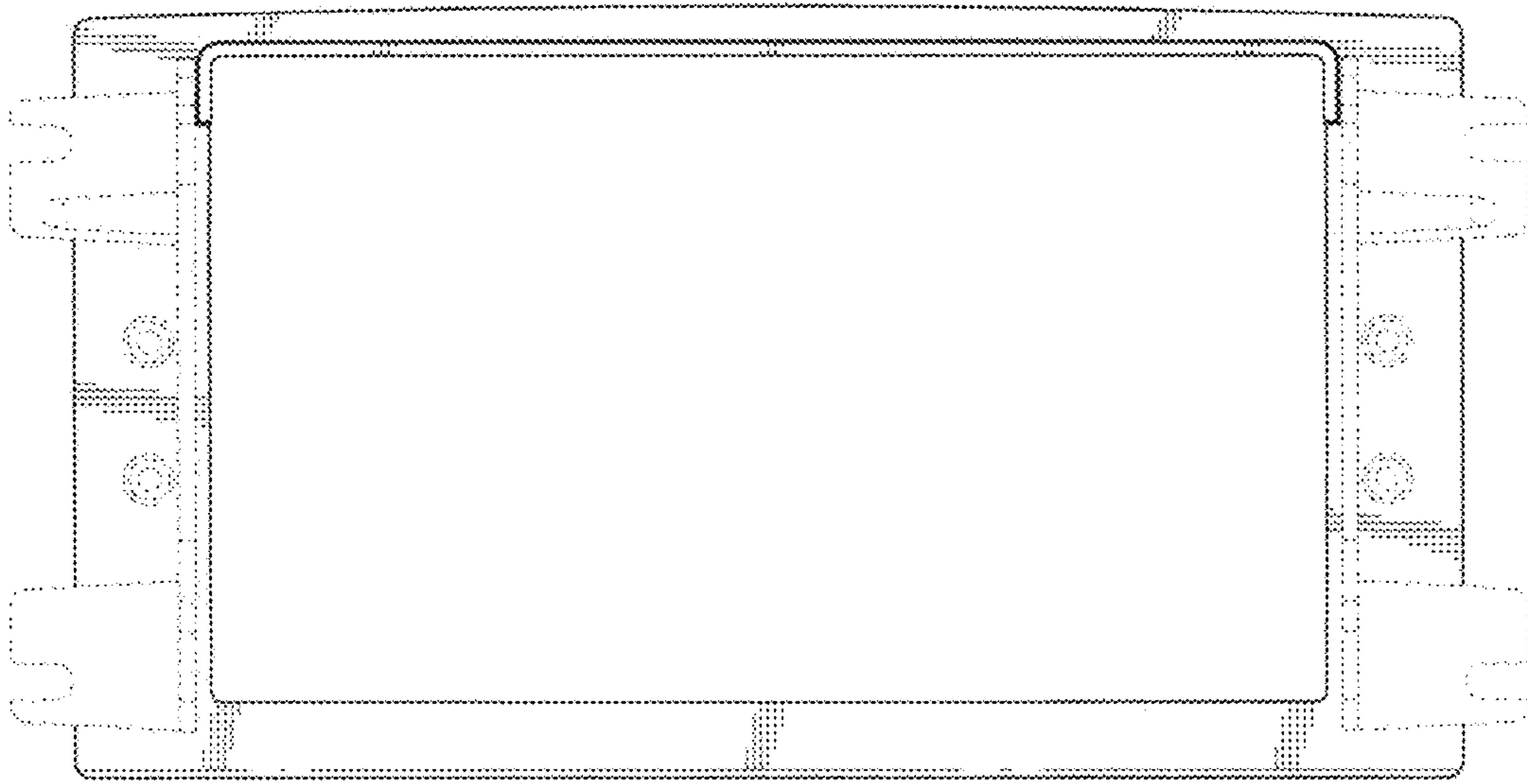


FIG. 3

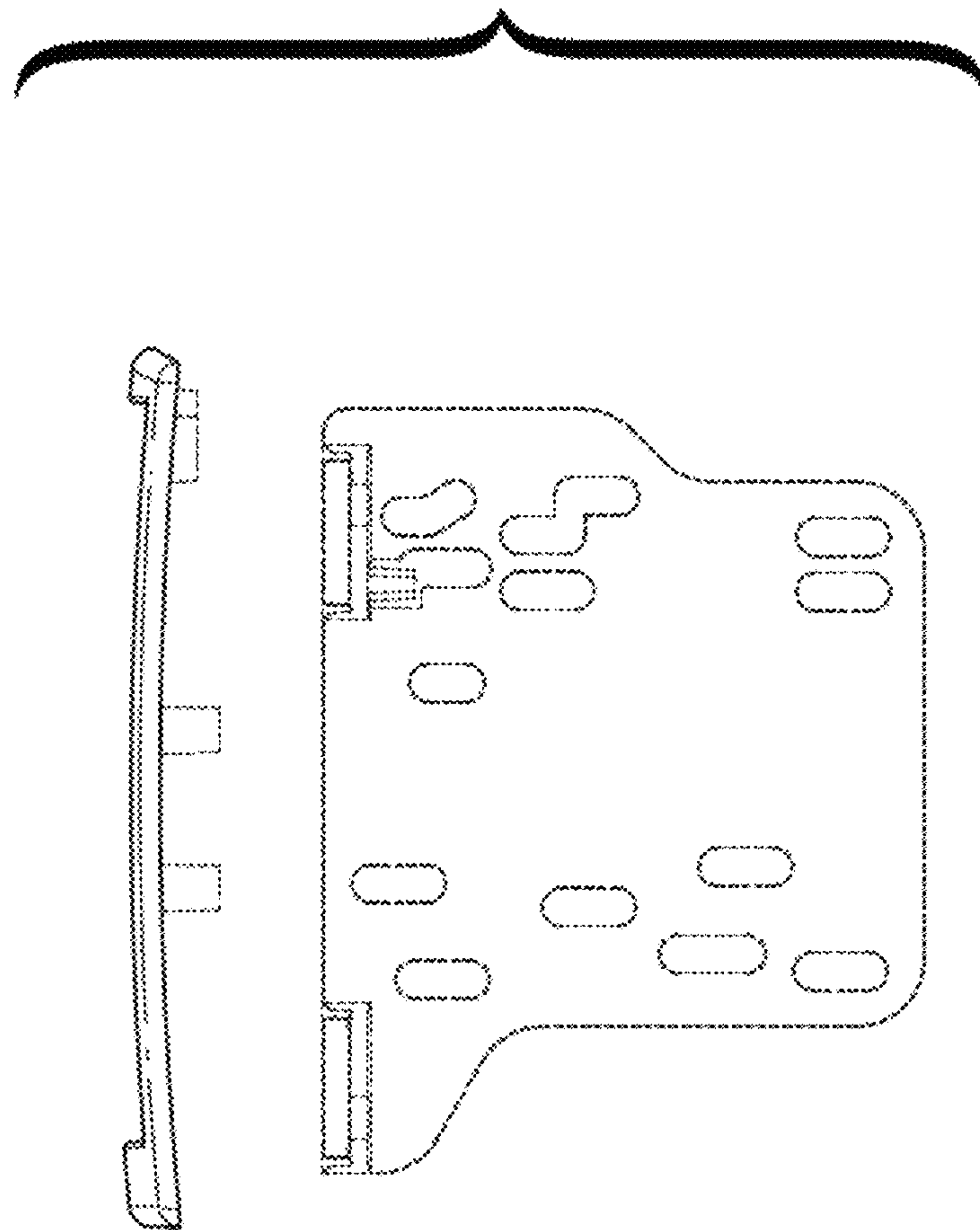


FIG. 4

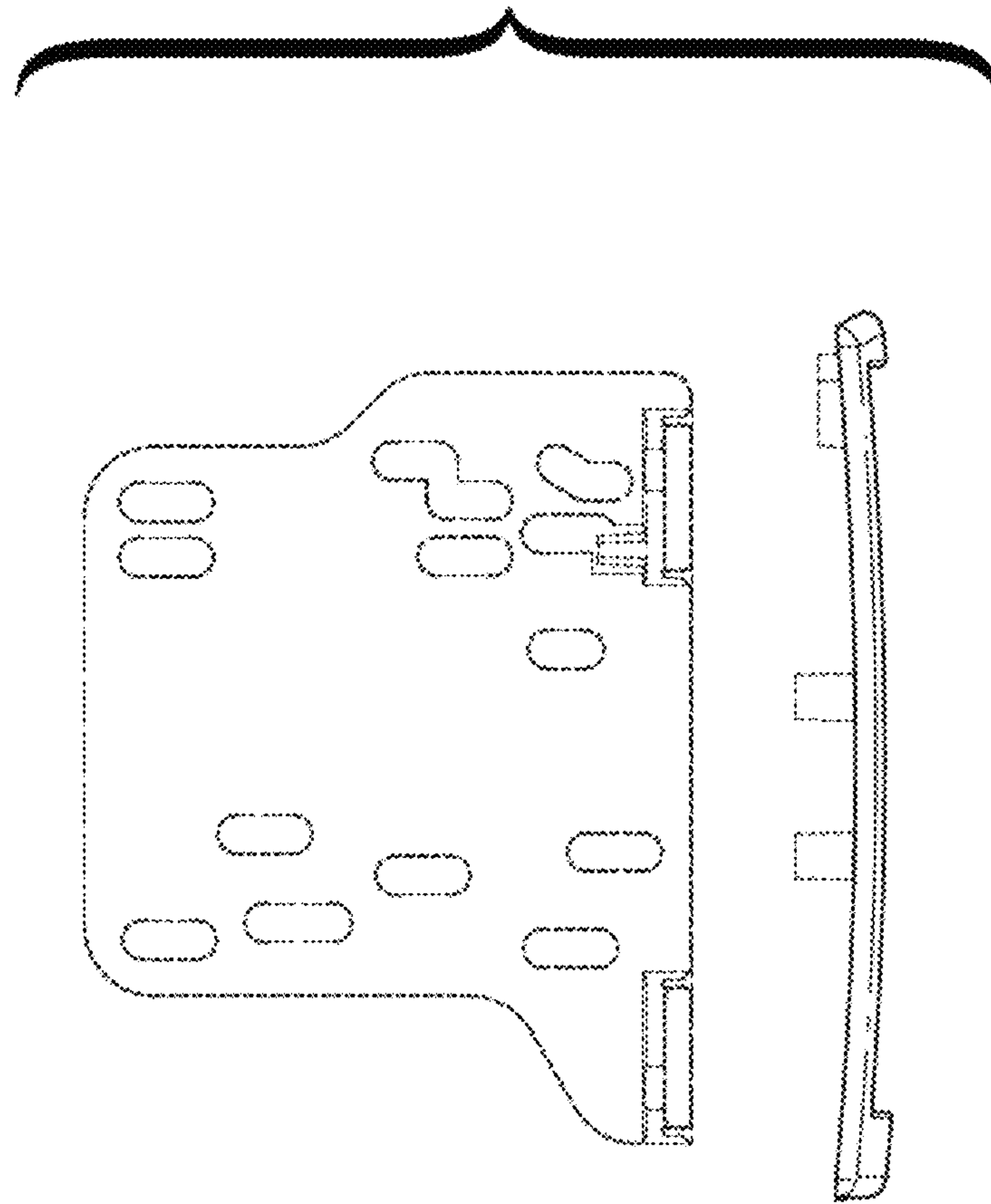


FIG. 5

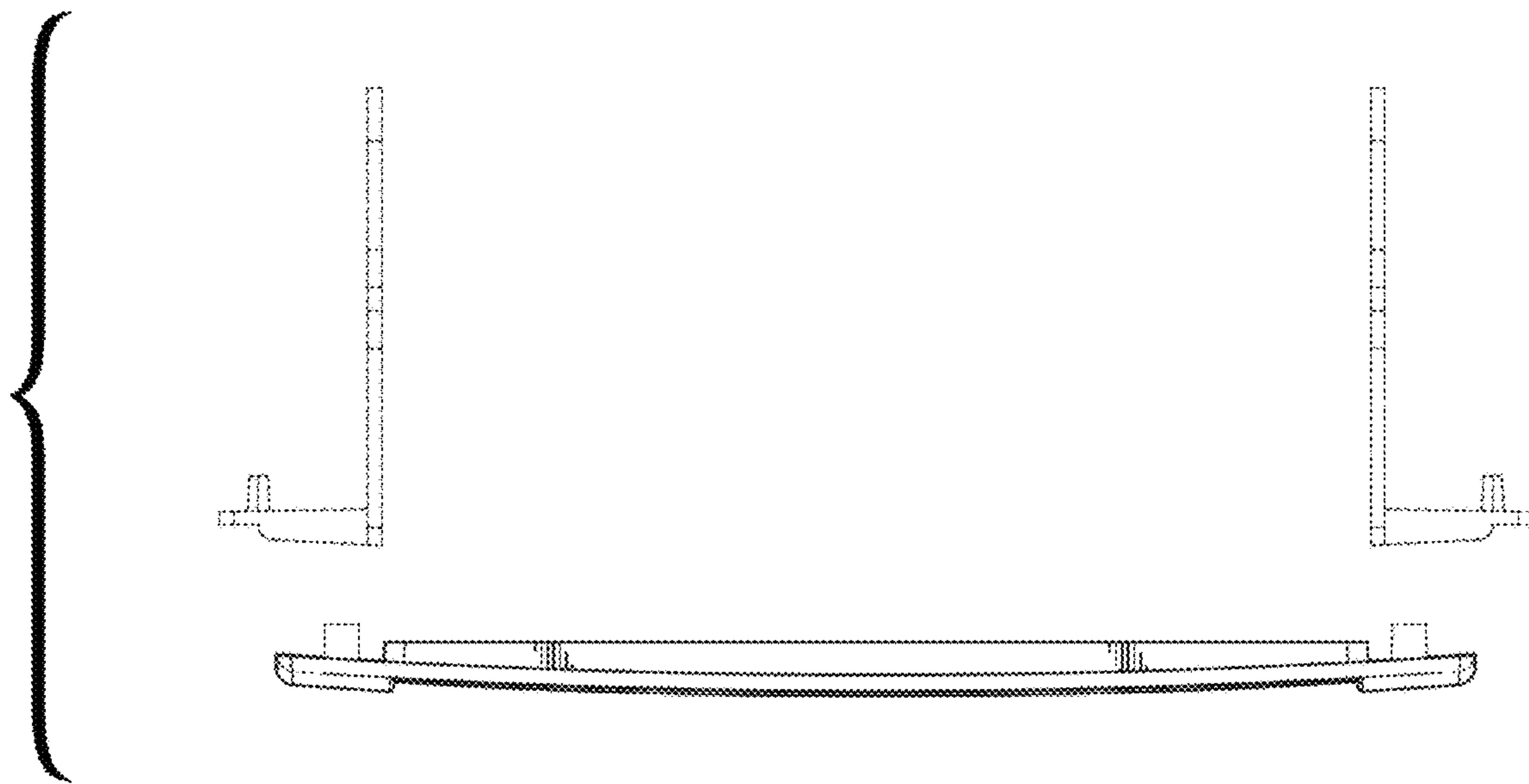


FIG. 6

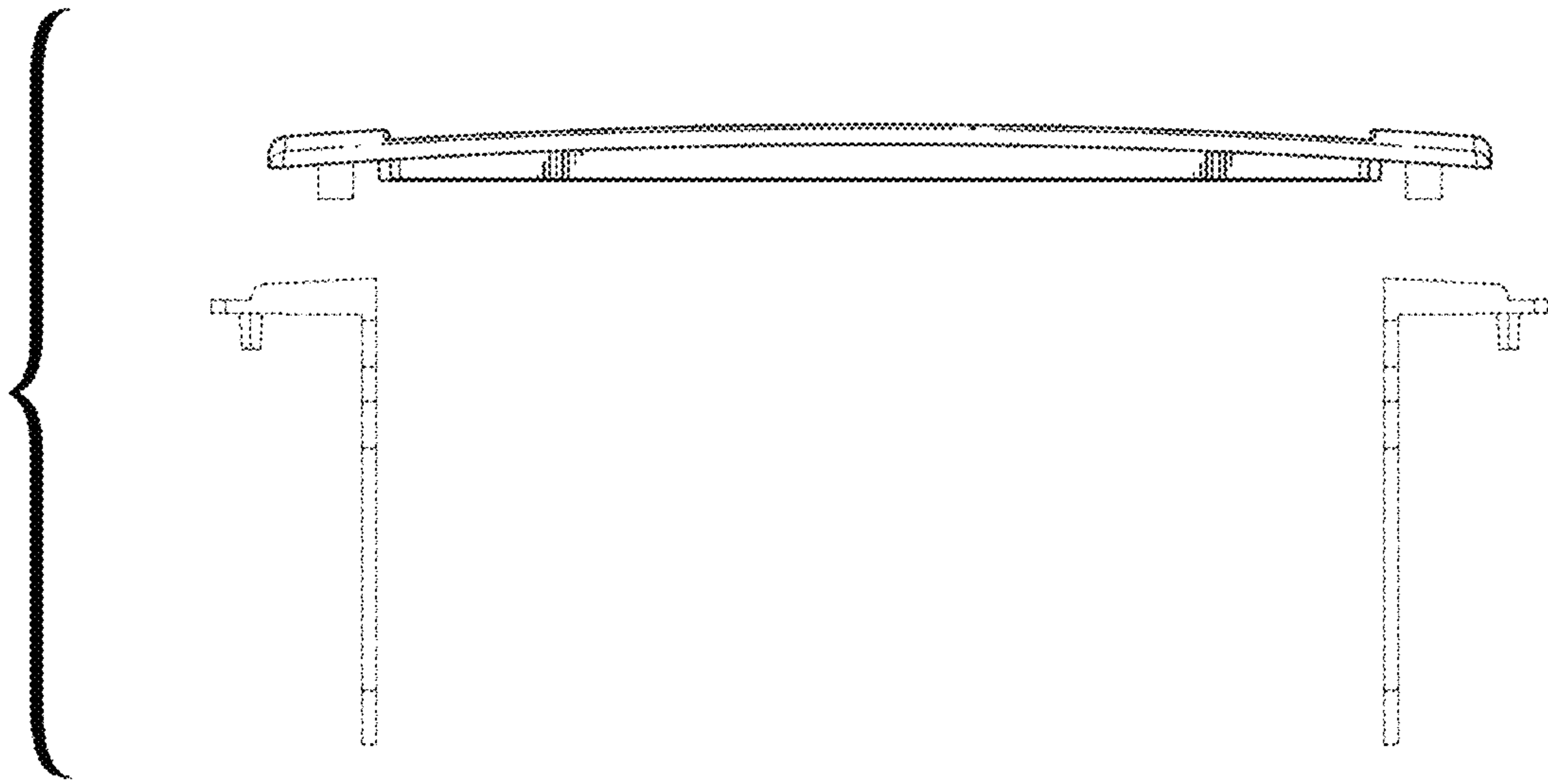


FIG. 7