

US00D791117S

(12) **United States Design Patent** (10) **Patent No.:** **US D791,117 S**
Silva et al. (45) **Date of Patent:** **** *Jul. 4, 2017**

(54) **HOLDING DEVICE FOR VIDEO RECORDER**

(56)

References Cited

(71) Applicant: **Stinger Tees, Inc.**, Warrensville Heights, OH (US)

(72) Inventors: **William A. Silva**, Greer, SC (US); **Michael H. Maness**, Greenville, SC (US); **Ben S. Corley, Jr.**, Greenville, SC (US)

(73) Assignee: **STINGER TEES, INC.**, Warrensville Heights, OH (US)

(*) Notice: This patent is subject to a terminal disclaimer.

(**) Term: **14 Years**

(21) Appl. No.: **29/448,169**

(22) Filed: **Mar. 11, 2013**

U.S. PATENT DOCUMENTS

D468,733	S	*	1/2003	Narducci et al.	D14/253
D669,065	S	*	10/2012	Fromm	D14/253
D685,795	S	*	7/2013	Paschke et al.	D14/434
D685,796	S	*	7/2013	Paschke et al.	D14/434
D685,797	S	*	7/2013	Fahrendorff et al.	D14/434
D693,892	S	*	11/2013	Bentley et al.	D21/796
D694,706	S	*	12/2013	Kuo	D13/108
D697,514	S	*	1/2014	Davis et al.	D14/447
D706,785	S	*	6/2014	Brittain et al.	D14/447
D710,363	S	*	8/2014	Wengreen	D14/432
D716,215	S	*	10/2014	Dunn	D12/415
D719,159	S	*	12/2014	Nguyen	D14/385
D720,338	S	*	12/2014	Nousiainen	D14/248
2014/0209777	A1	*	7/2014	Klemin et al.	248/544

* cited by examiner

Primary Examiner — Susan Bennett Hattan

Assistant Examiner — Leanne Was-Englehart

(74) *Attorney, Agent, or Firm* — Pearne & Gordon LLP

(57)

CLAIM

We claim the ornamental design for a holding device for video recorder, as shown and described.

DESCRIPTION

FIG. 1 is a front perspective view of a holding device for video recorder;

FIG. 2 is a rear perspective view thereof;

FIG. 3 is a front elevation view thereof;

FIG. 4 is a rear elevation view thereof;

FIG. 5 is a right side elevation view thereof;

FIG. 6 is a left side elevation view thereof;

FIG. 7 is a top view thereof; and,

FIG. 8 is a bottom view thereof.

Dark broken lines depict the bounds of the Claim. Light broken lines depict portions of the holding device for video recorder that form no part of the claimed design.

Related U.S. Application Data

(63) Continuation of application No. PCT/US2013/029577, filed on Mar. 7, 2013.

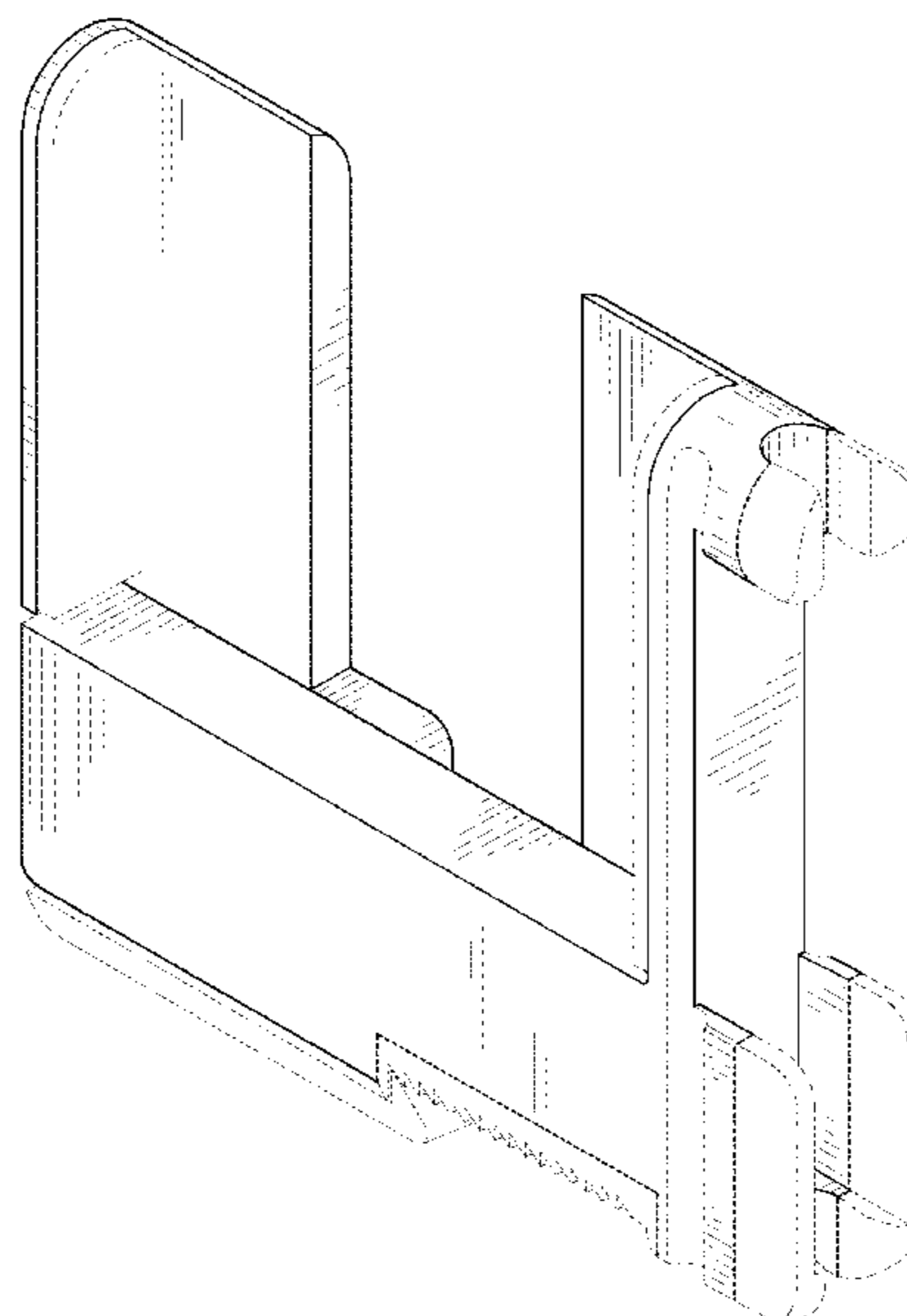
(51) **LOC (10) Cl.** **14-03**

(52) **U.S. Cl.**
USPC **D14/253**

(58) **Field of Classification Search**
USPC D3/218; D8/355; D14/240, 250, 251, D14/252, 253, 256, 432, 433, 434, 447, D14/451, 452; D16/237, 242, 245; D21/791, 796; 248/121, 122.1, 127, 248/176.1, 177.1, 187.1, 309.1; 348/373, 348/375, 376; 379/449, 454, 455; 455/575.1, 575.4

See application file for complete search history.

1 Claim, 4 Drawing Sheets



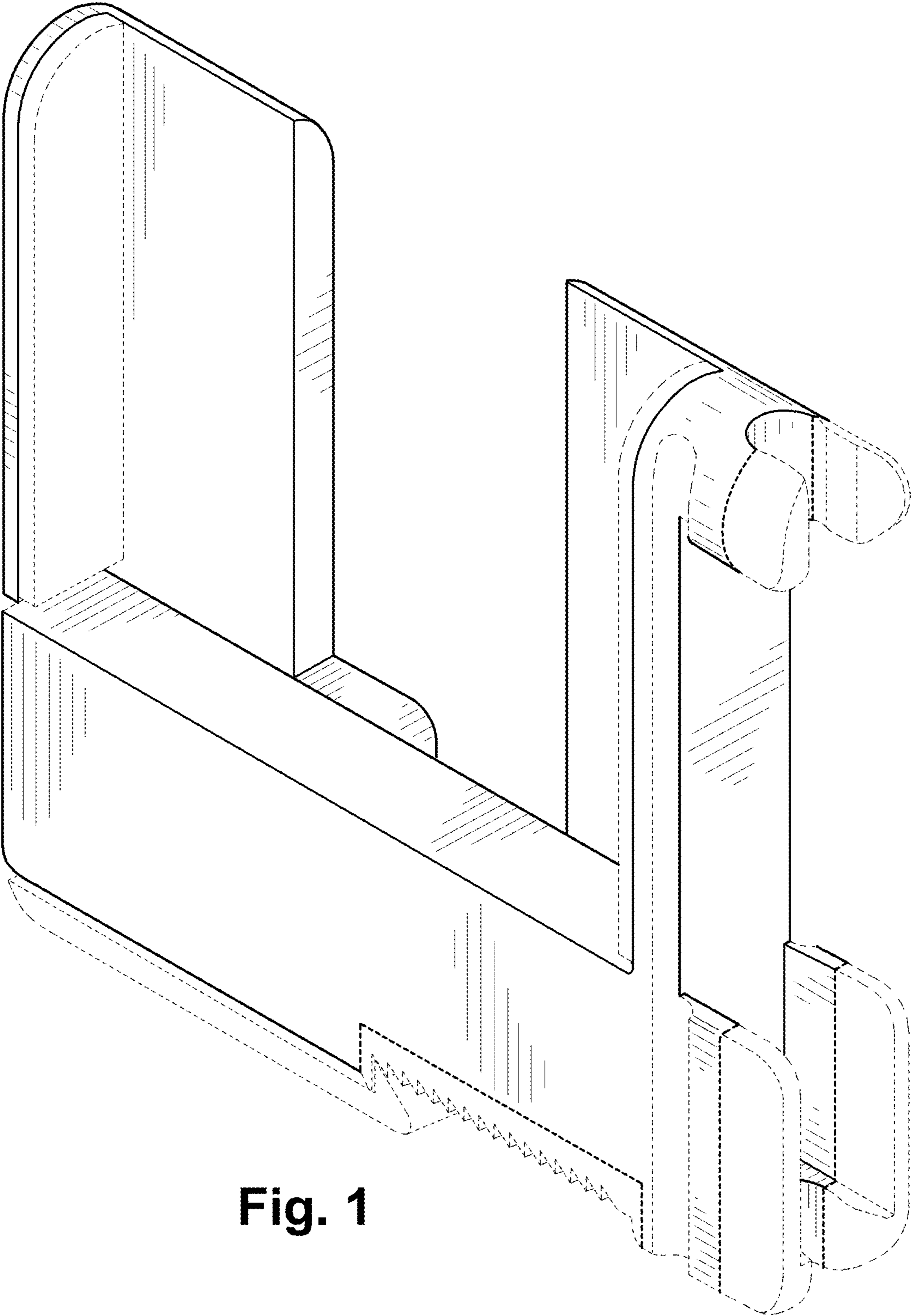


Fig. 1

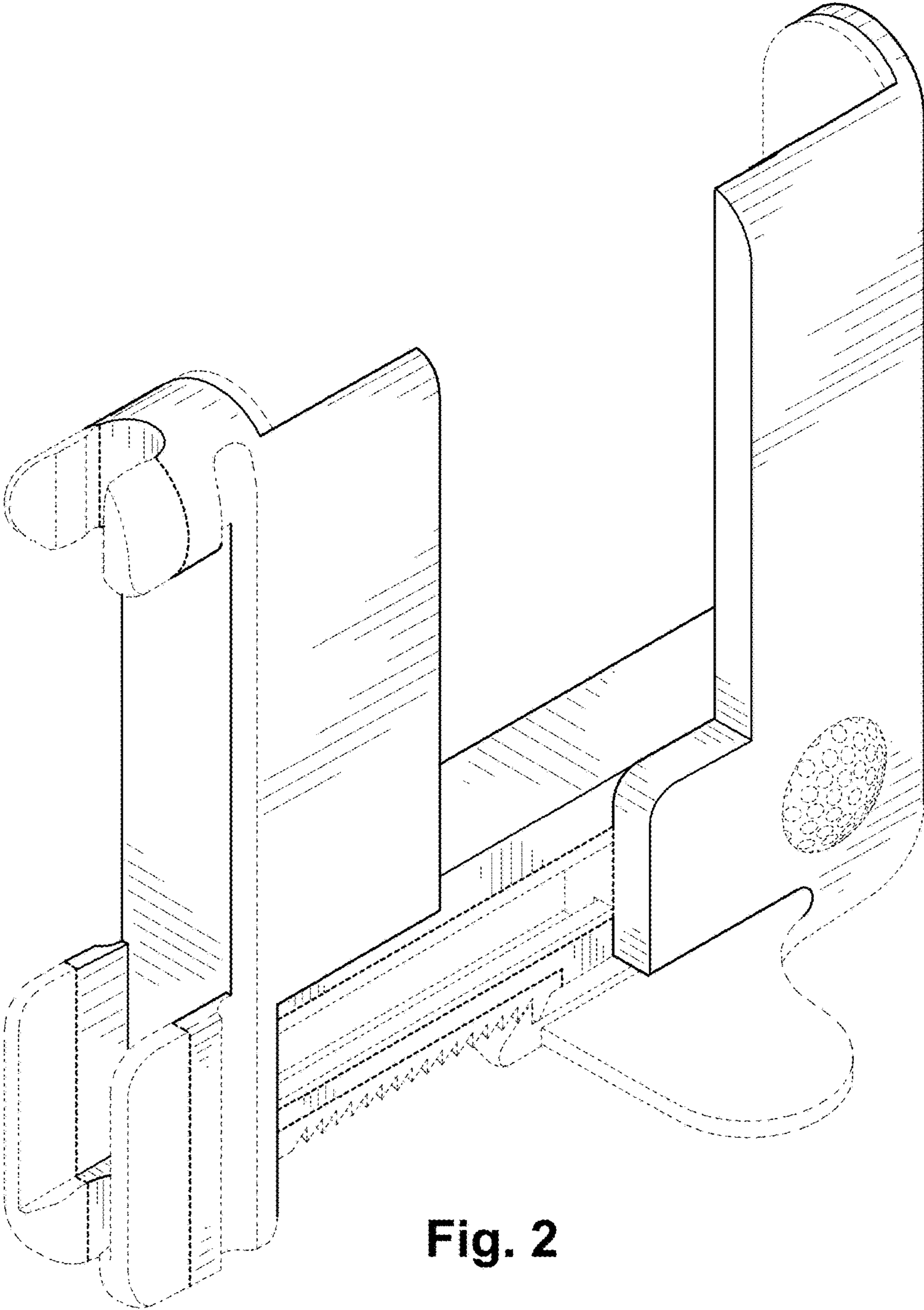


Fig. 2

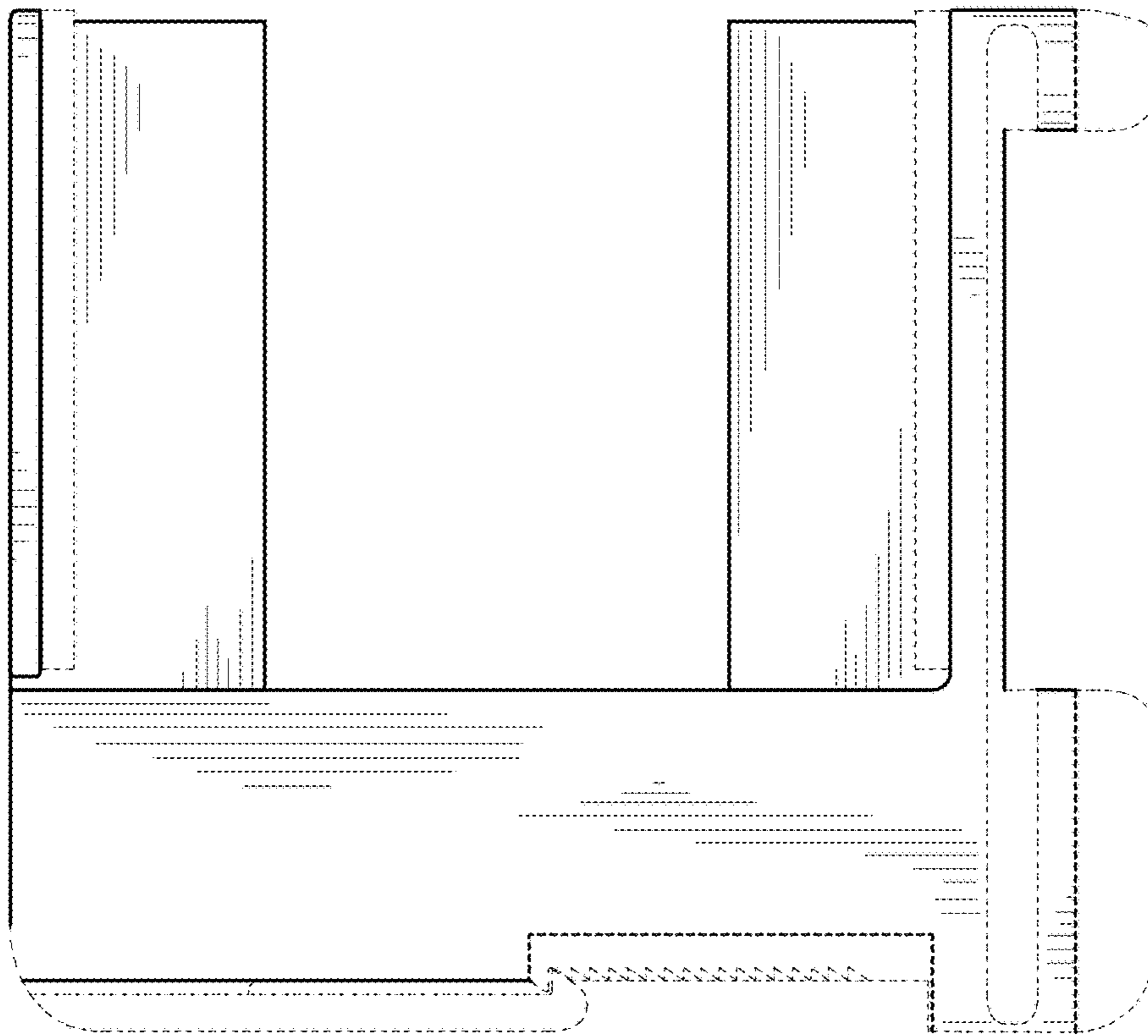


Fig. 3

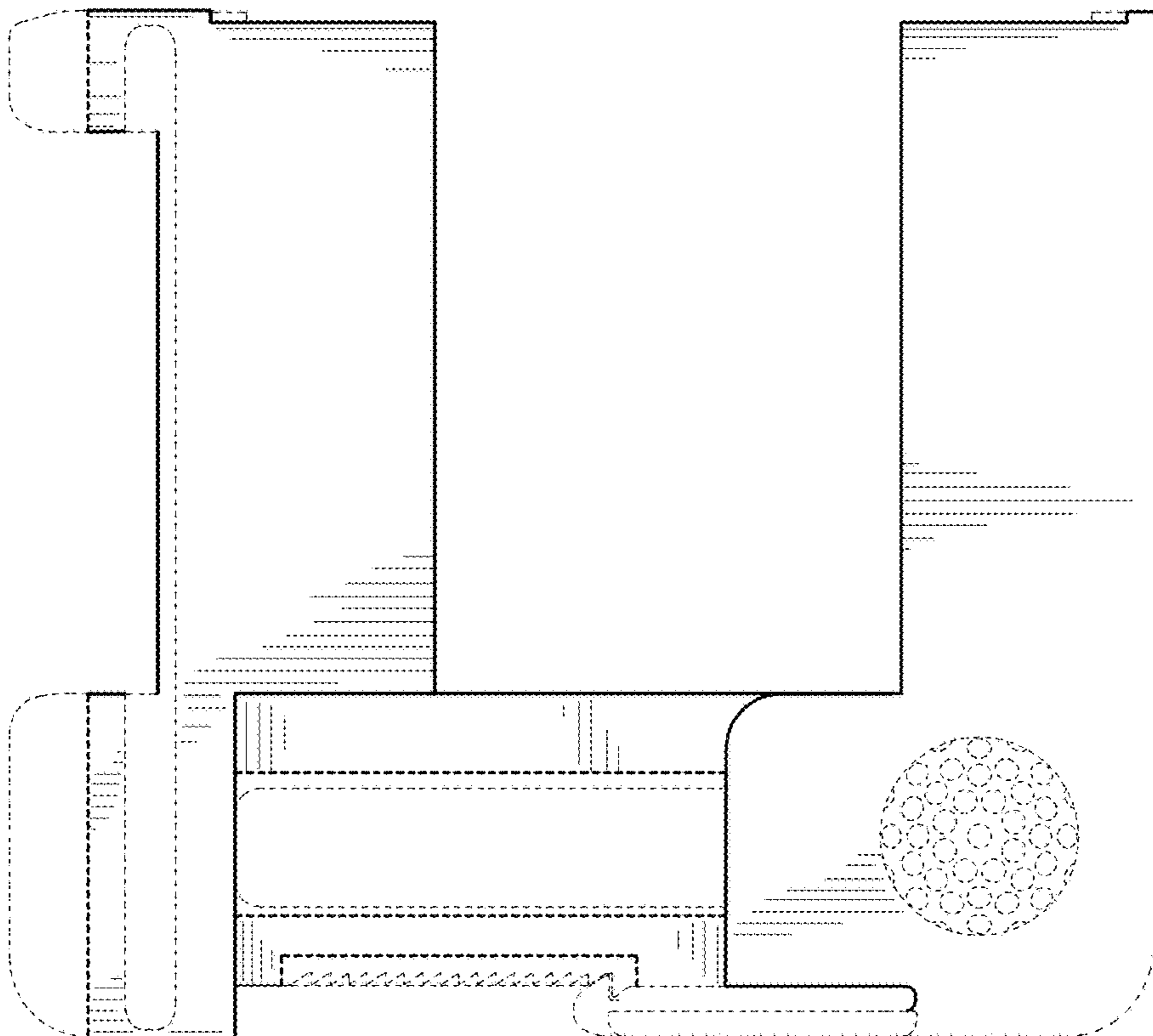


Fig. 4

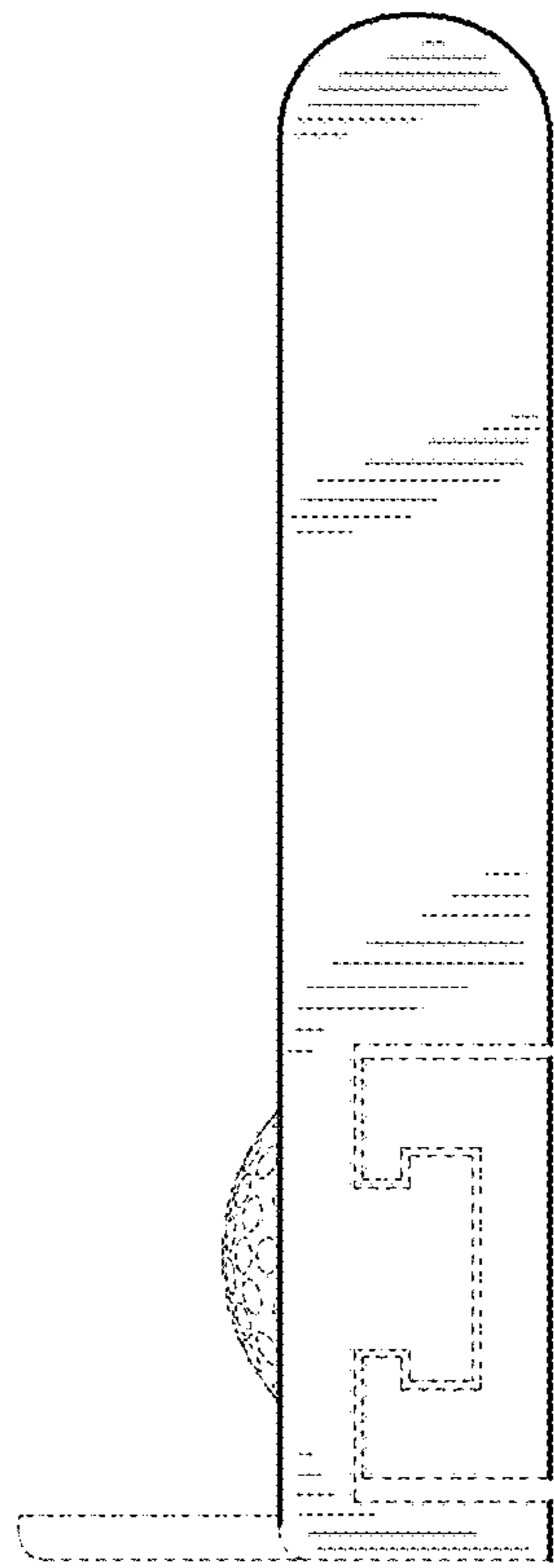


Fig. 5

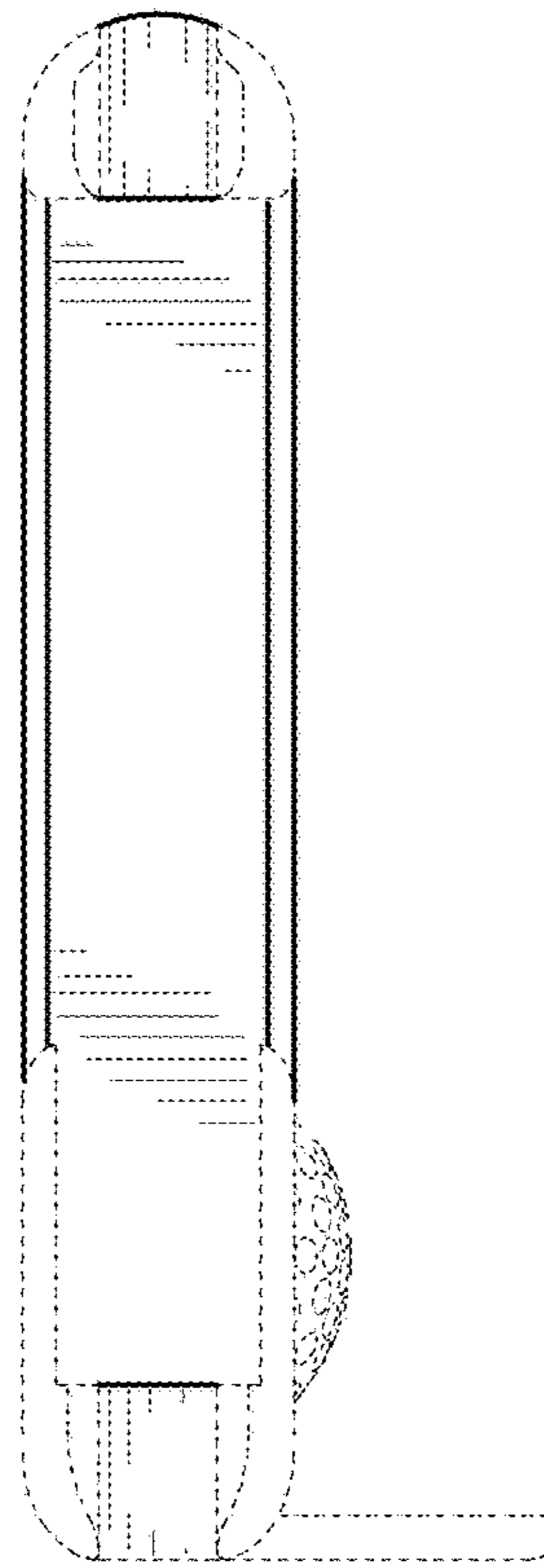


Fig. 6

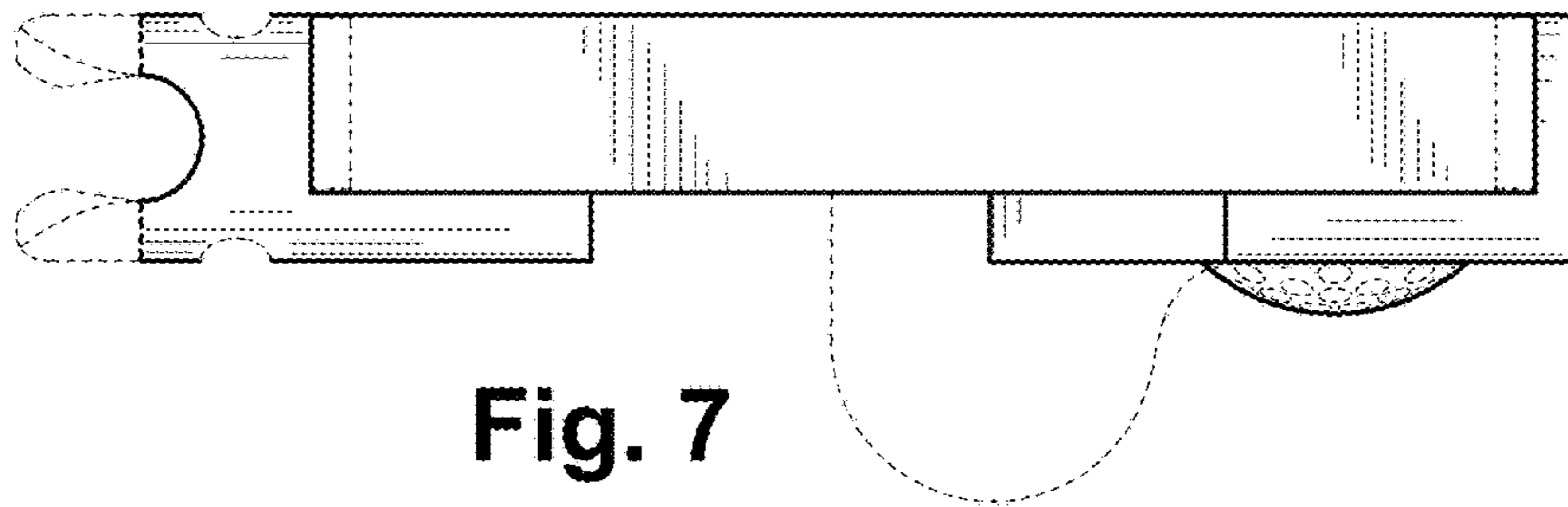


Fig. 7

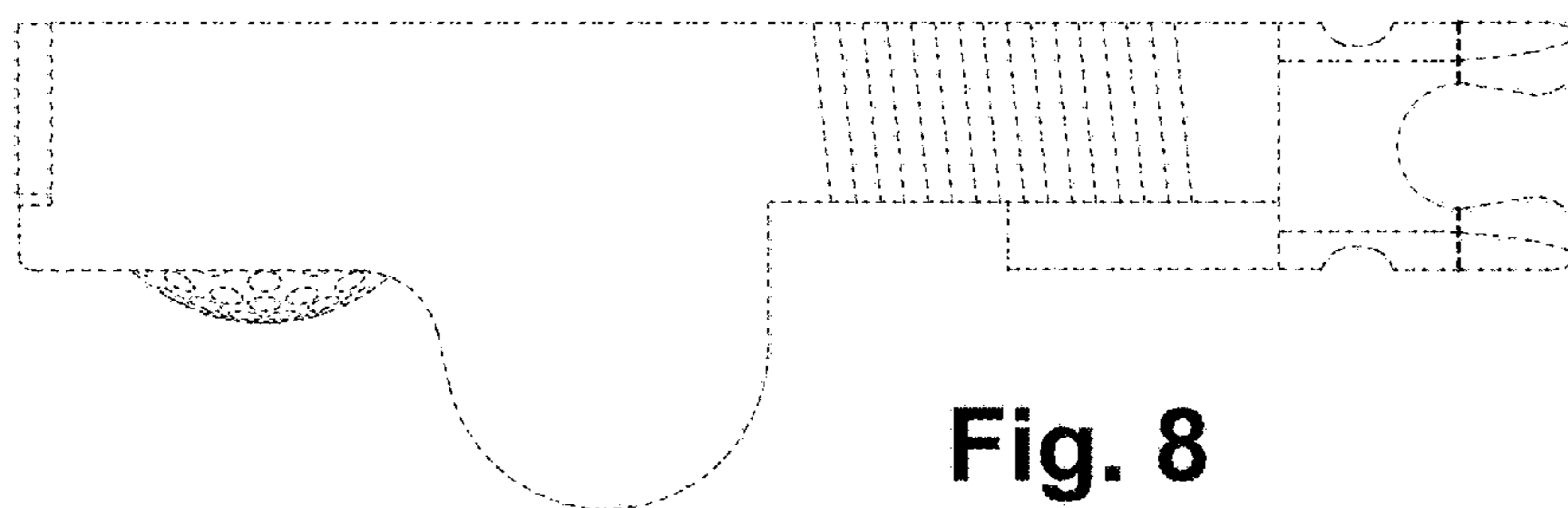


Fig. 8