



US00D791115S

(12) **United States Design Patent**
Schilling

(10) **Patent No.:** **US D791,115 S**
(45) **Date of Patent:** **** Jul. 4, 2017**

(54) **CASE WITH POWER SUPPLY AND CABLE STORAGE COMPARTMENT FOR A MOBILE COMMUNICATIONS DEVICE**

(71) Applicant: **Ryan Schilling**, Morris Plains, NJ (US)

(72) Inventor: **Ryan Schilling**, Morris Plains, NJ (US)

(73) Assignee: **Ryan Schilling**, Morris Plains, NJ (US)

(**) Term: **15 Years**

(21) Appl. No.: **29/548,098**

(22) Filed: **Dec. 10, 2015**

(51) **LOC (10) Cl.** **14-03**

(52) **U.S. Cl.**
USPC **D14/250**

(58) **Field of Classification Search**
USPC D14/238.1, 248, 440, 203.3–203.7, 217, D14/240, 447, 496, 250, 251–253; D3/201, 218, 247, 269, 273, 301, 303; D13/103, 107–108, 119
CPC H04B 1/3888; H04M 1/0283; H04M 1/0202; A45C 1/06; A45C 2011/002; A45C 11/00; A45C 13/02; A45F 2005/026; A45F 2200/0525; A45F 2200/0516

See application file for complete search history.

(56) **References Cited**

U.S. PATENT DOCUMENTS

D556,681 S *	12/2007	Kim	D13/103
D576,785 S *	9/2008	TerMeer	D3/201
D609,463 S *	2/2010	Bullen	D3/218
D654,931 S *	2/2012	Lemelman	D14/496
D663,263 S *	7/2012	Gupta	D13/103
D664,091 S *	7/2012	Pliner	D13/108
D665,735 S *	8/2012	Kang	D13/108
D674,748 S *	1/2013	Ferber	D13/108

D677,249 S *	3/2013	Li	D14/250
D681,620 S *	5/2013	Huskinson	D14/250
D688,654 S *	8/2013	Stevinson	D14/250
8,644,895 B2 *	2/2014	Heywood	H04M 1/185 455/557
D703,650 S *	4/2014	Ehrlich	D14/250
8,759,675 B2 *	6/2014	Rajeswaran	G06F 1/1626 174/50
D714,274 S *	9/2014	Jung	D14/250
D716,785 S *	11/2014	White	D14/250
D720,740 S *	1/2015	Wicks	D14/250
D721,064 S *	1/2015	Sun	D14/250
D721,687 S *	1/2015	To	D14/250

(Continued)

Primary Examiner — Carla Jobe Wright

(74) *Attorney, Agent, or Firm* — M&B IP Analysts, LLC

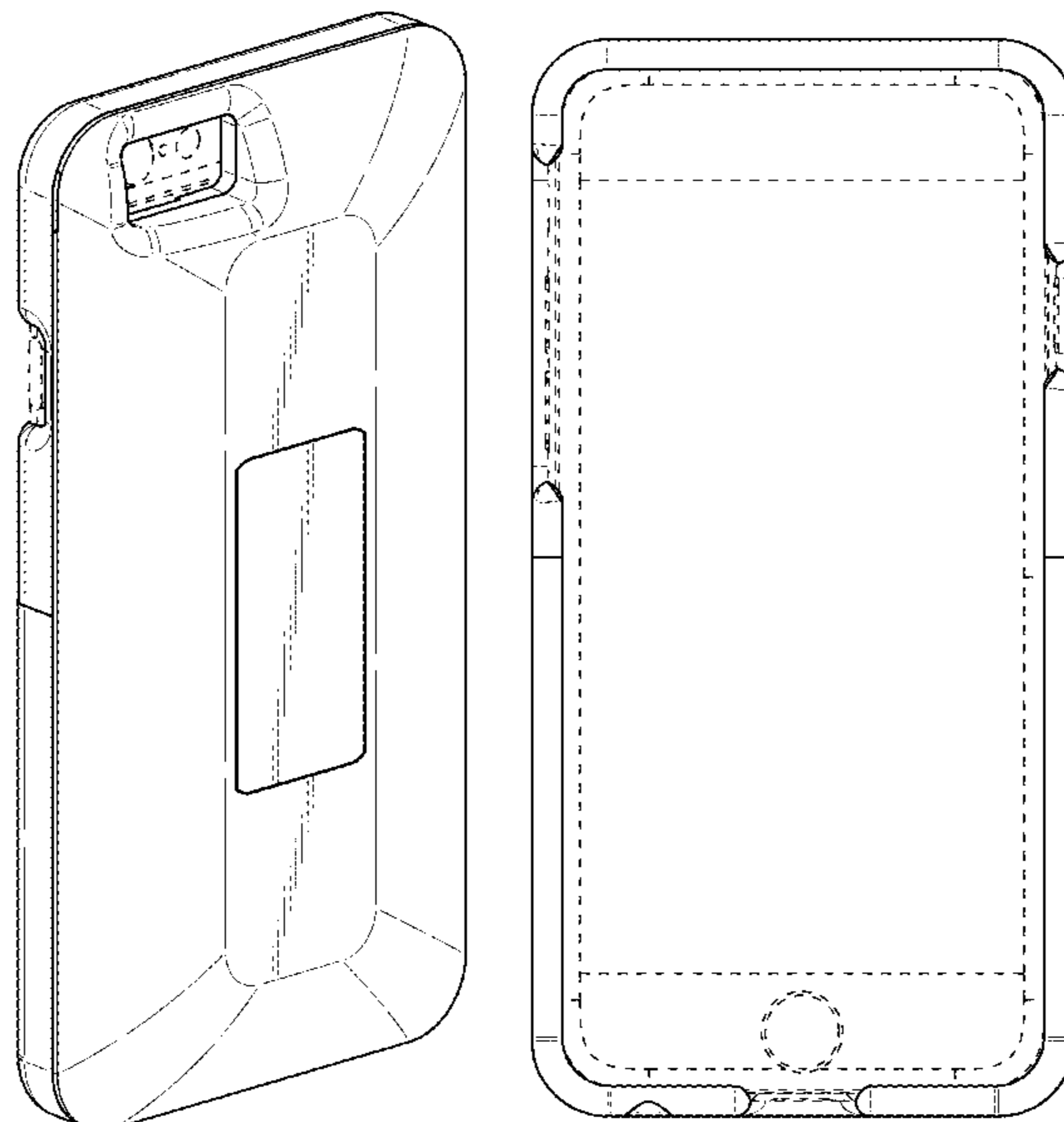
(57) **CLAIM**

I claim the ornamental design for a case with power supply and cable storage compartment for a mobile communications device, as shown and described.

DESCRIPTION

FIG. 1 is a front isometric view of a case with power supply and cable storage compartment for a mobile communications device showing my new design. FIG. 2 is a rear isometric view thereof; FIG. 3 is a front elevation view thereof; FIG. 4 is a left side elevation view thereof; FIG. 5 is a right side elevation view thereof; FIG. 6 is a top view thereof; FIG. 7 is a bottom view thereof; FIG. 8 is a rear elevation view thereof; and, FIG. 9 is an exploded isometric view thereof with the rear and front portions of the case separated to clearly disclose the rear power supply and cable storage compartment. The broken lines throughout the drawing figures depict an environmental mobile communications device and an environmental cable that form no part of the claimed design.

1 Claim, 4 Drawing Sheets



(56)

References Cited

U.S. PATENT DOCUMENTS

D725,091	S *	3/2015	Wen	D14/250
9,088,029	B2 *	7/2015	Huang	H01M 2/1022
D751,542	S *	3/2016	Daniel	D14/250
D760,211	S *	6/2016	Mao	D14/250
D760,710	S *	7/2016	Ozolins	D14/250
2014/0079237	A1 *	3/2014	Cataldo	H04R 1/1033
					381/74
2015/0141082	A1 *	5/2015	Ehrlich	H04B 1/3888
					455/575.1

* cited by examiner

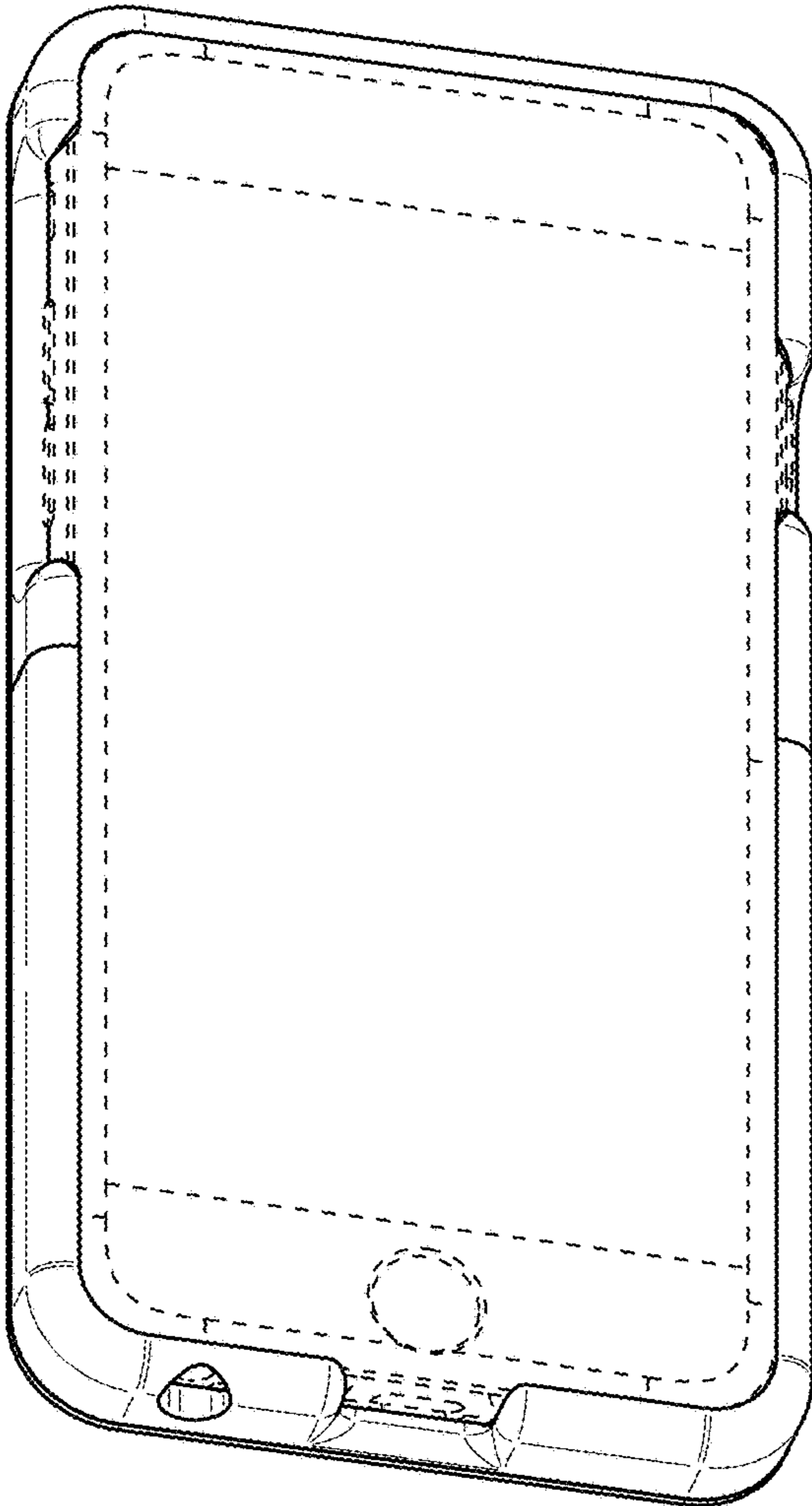


FIG. 1

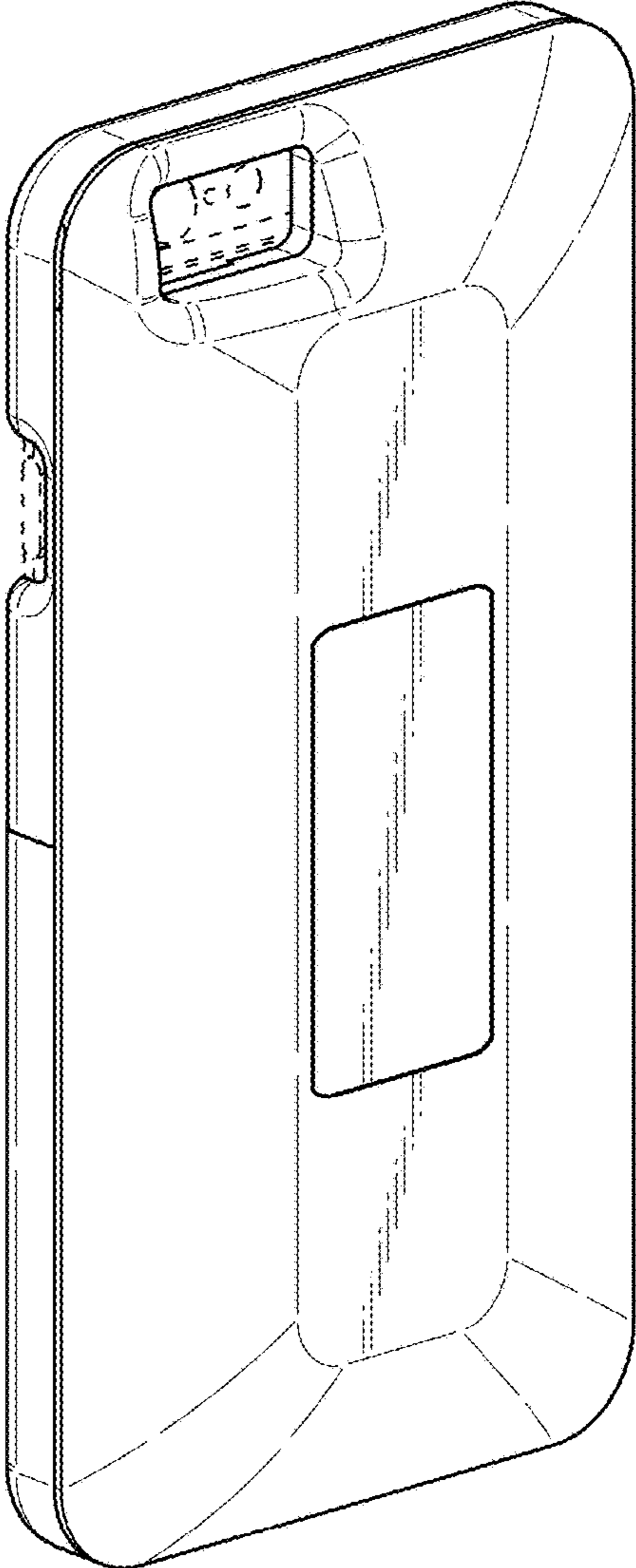


FIG. 2

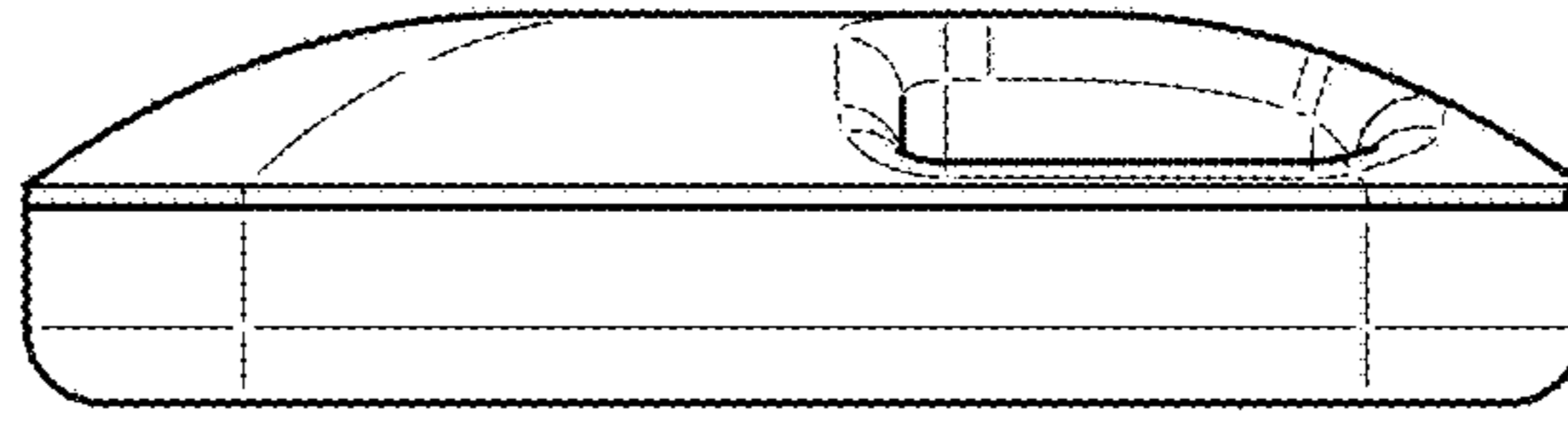


FIG. 6

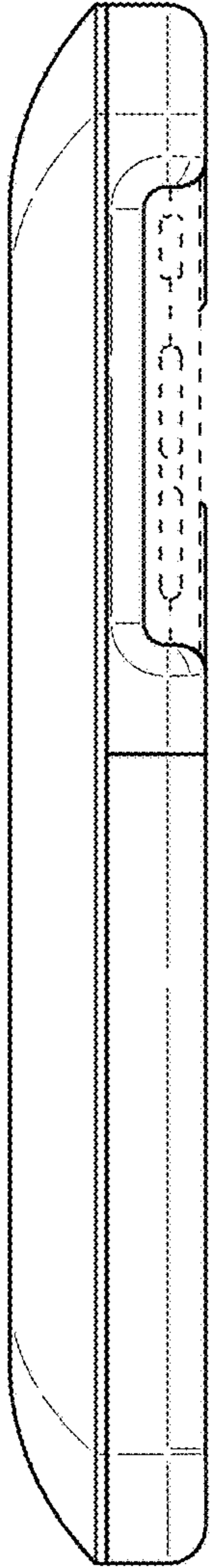


FIG. 4

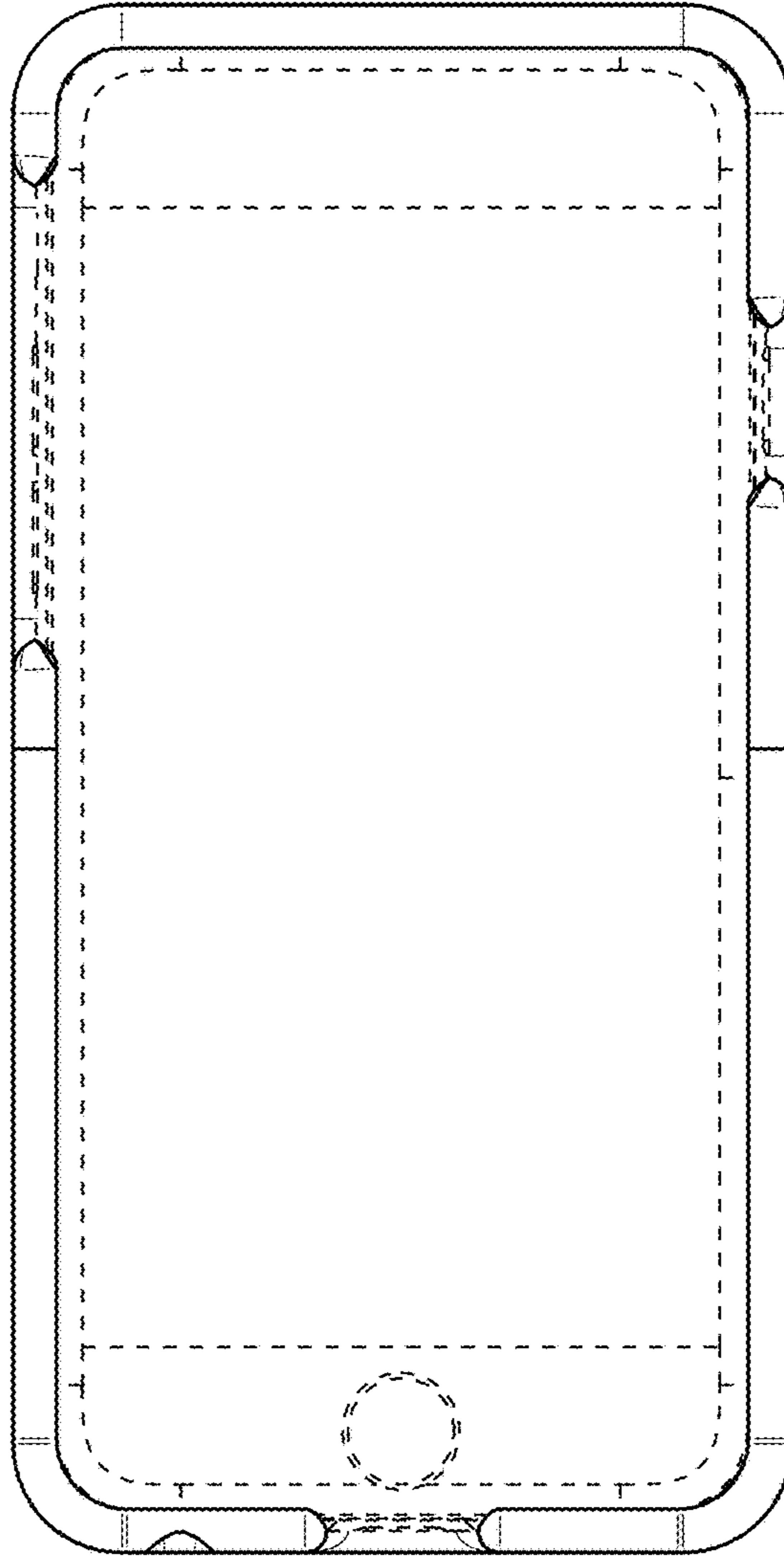


FIG. 3

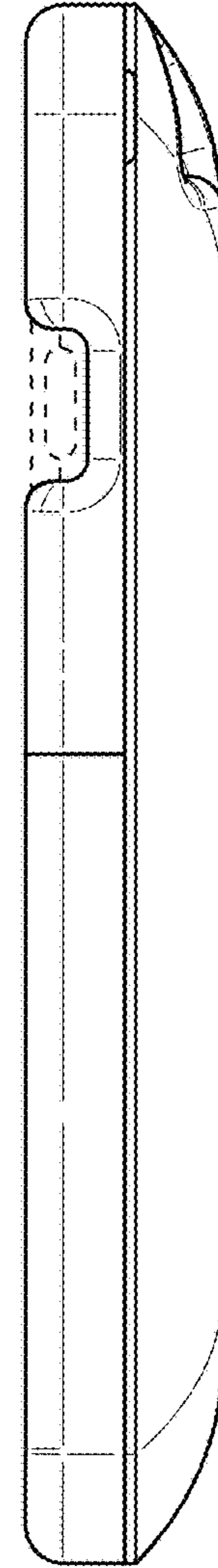


FIG. 5

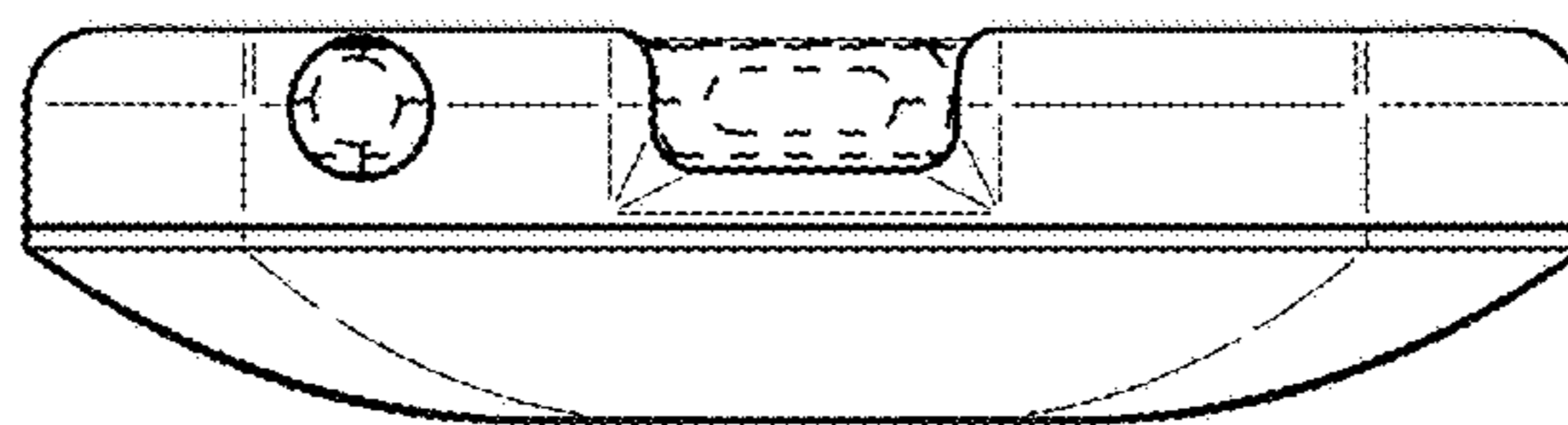


FIG. 7

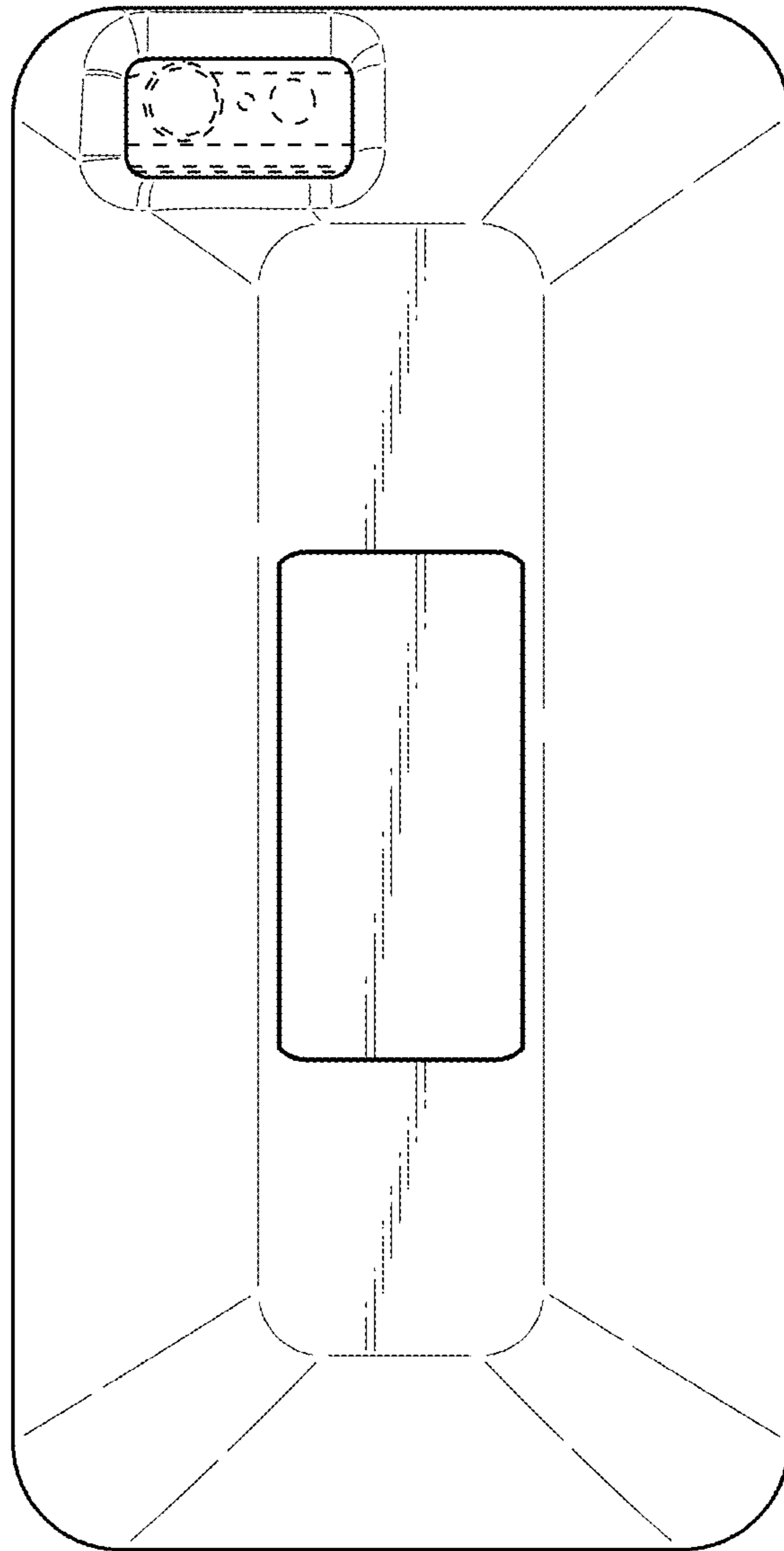


FIG. 8

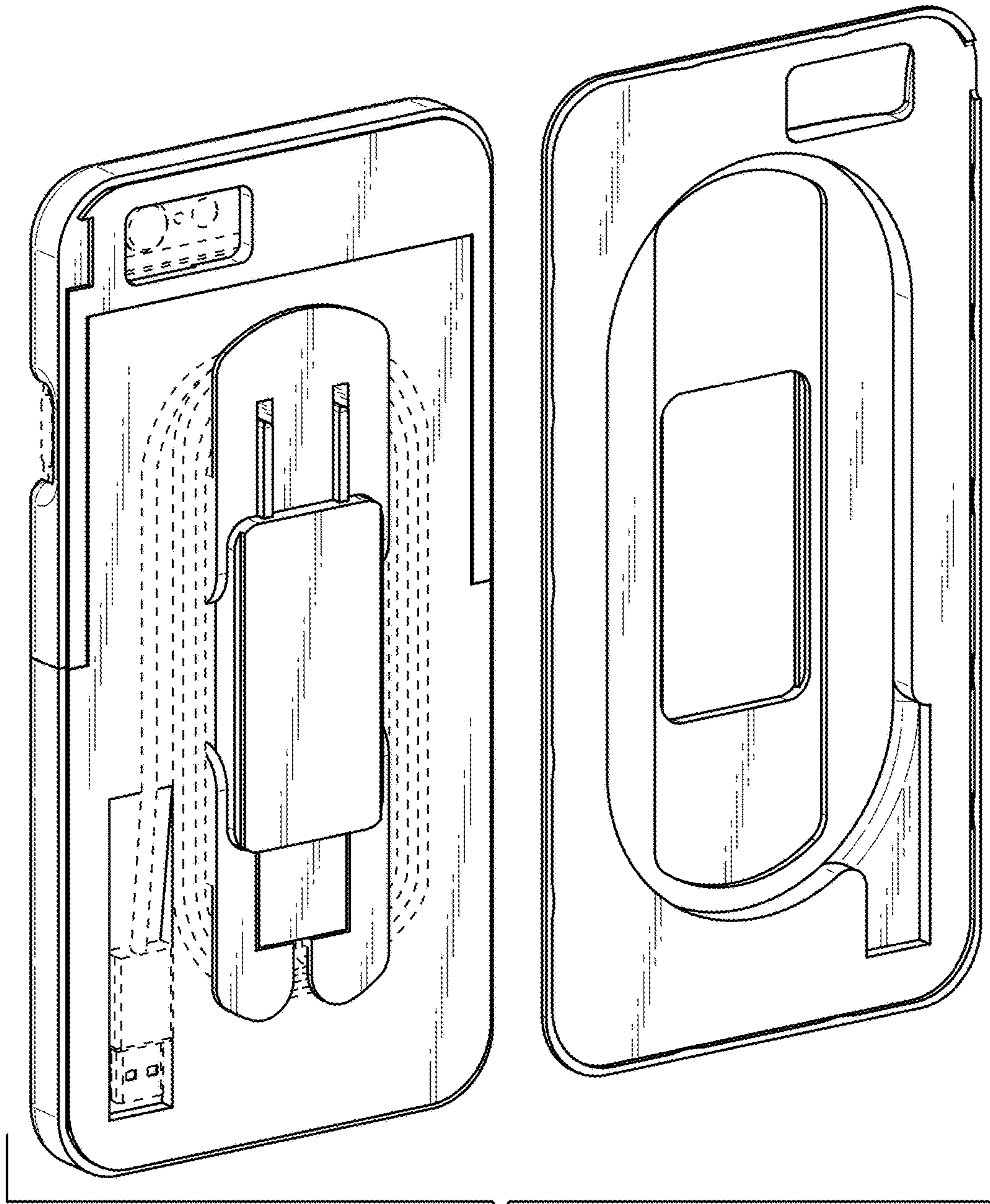


FIG. 9