



US00D791108S

(12) **United States Design Patent** (10) **Patent No.:** **US D791,108 S**  
**He et al.** (45) **Date of Patent:** **\*\* Jul. 4, 2017**

(54) **ANTENNA**  
(71) Applicant: **Airgain Incorporated**, San Diego, CA (US)  
(72) Inventors: **Ziming He**, Irvine, CA (US); **Xiangjie Bian**, Zhang Jia Gang (CN)  
(73) Assignee: **Airgain Incorporated**, San Diego, CA (US)

D608,769 S 1/2010 Bufe  
D612,368 S 3/2010 Yang et al.  
7,705,783 B2 4/2010 Rao et al.  
7,729,662 B2 6/2010 Abramov et al.  
D621,819 S \* 8/2010 Tsai ..... D14/230  
7,843,390 B2 11/2010 Liu  
D633,483 S 3/2011 Su et al.  
D635,127 S 3/2011 Tsai et al.  
7,907,971 B2 3/2011 Salo et al.  
D635,560 S 4/2011 Tsai et al.  
D635,963 S 4/2011 Podduturi  
D635,964 S 4/2011 Podduturi

(\*\*) Term: **15 Years**

(Continued)

(21) Appl. No.: **29/555,964**

OTHER PUBLICATIONS

(22) Filed: **Feb. 25, 2016**

<http://airgain.com/our-services/embedded-antennas/>—Retrieved Jan. 4, 2017.\*

(51) **LOC (10) Cl.** ..... **14-03**

<http://www.airgain.com/ultra-M1920T>—Retrieved Jun. 20, 2016.\*

(52) **U.S. Cl.**

USPC ..... **D14/230**

(58) **Field of Classification Search**

USPC ..... D14/138, 230–238.1, 299, 358; D13/182

CPC ..... H01L 33/48; H01L 33/486; H01L 23/02;

H05K 5/00; H01Q 13/10

See application file for complete search history.

*Primary Examiner* — Manpreet Matharu

*Assistant Examiner* — Mojtaba Tehrani

(74) *Attorney, Agent, or Firm* — Clause Eight IPS;

Michael Catania

(56) **References Cited**

(57) **CLAIM**

The ornamental design for an antenna, as shown and described.

U.S. PATENT DOCUMENTS

DESCRIPTION

7,061,437 B2 \* 6/2006 Lin ..... H01Q 9/0442  
343/700 MS

7,148,849 B2 12/2006 Lin

7,215,296 B2 5/2007 Abramov et al.

D546,821 S 7/2007 Oliver

D549,696 S 8/2007 Oshima et al.

7,333,067 B2 2/2008 Hung et al.

7,336,959 B2 2/2008 Khitrik et al.

D573,589 S 7/2008 Montgomery et al.

7,405,704 B1 7/2008 Lin et al.

7,477,195 B2 1/2009 Vance

D592,195 S 5/2009 Wu et al.

7,570,215 B2 8/2009 Abramov et al.

D599,334 S 9/2009 Chiang

D606,053 S 12/2009 Wu et al.

D607,442 S 1/2010 Su et al.

FIG. 1 is a top perspective view of the first embodiment of an antenna, showing our new design;

FIG. 2 is a top plan view thereof;

FIG. 3 is a front elevation view thereof;

FIG. 4 is a side elevation view thereof;

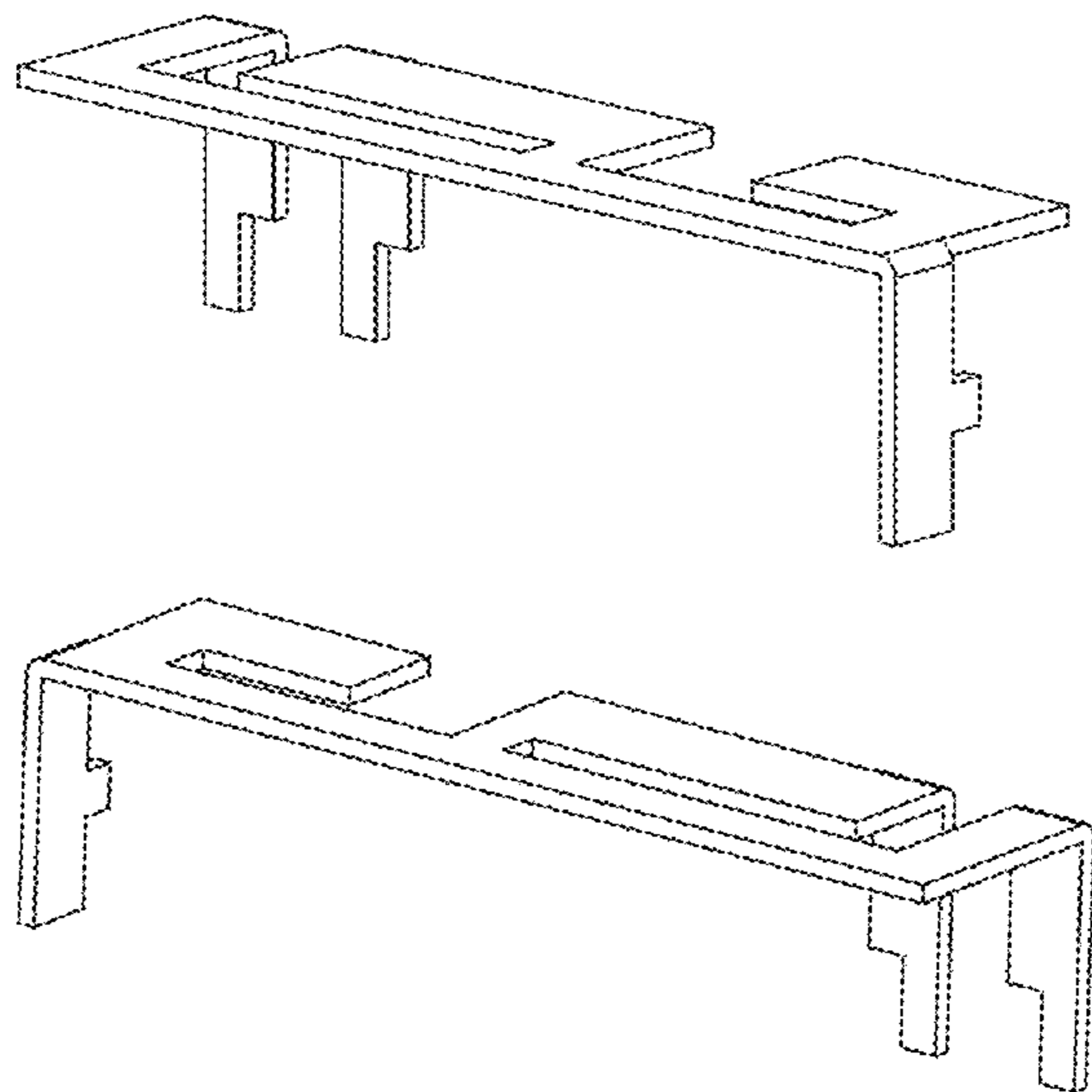
FIG. 5 is a top perspective view of the second embodiment of an antenna, showing our new design;

FIG. 6 is a top plan view thereof;

FIG. 7 is a front elevation view thereof; and,

FIG. 8 is a side elevation view thereof.

**1 Claim, 4 Drawing Sheets**



(56)

References Cited

U.S. PATENT DOCUMENTS

D635,965 S 4/2011 Mi et al.  
 D636,382 S 4/2011 Podduturi  
 7,965,242 B2 6/2011 Abramov et al.  
 D649,962 S 12/2011 Tseng et al.  
 D651,198 S 12/2011 Mi et al.  
 D654,059 S 2/2012 Mi et al.  
 D654,060 S 2/2012 Ko et al.  
 D658,639 S 5/2012 Huang et al.  
 D659,129 S 5/2012 Mi et al.  
 D659,685 S 5/2012 Huang et al.  
 D659,688 S 5/2012 Huang et al.  
 8,175,036 B2 5/2012 Visuri et al.  
 8,184,601 B2 5/2012 Abramov et al.  
 D662,916 S 7/2012 Huang et al.  
 8,248,970 B2 8/2012 Abramov et al.  
 D671,097 S 11/2012 Mi et al.  
 8,310,402 B2 11/2012 Yang  
 D676,429 S 2/2013 Gosalia et al.  
 D678,255 S 3/2013 Ko et al.  
 8,423,084 B2 4/2013 Abramov et al.  
 D684,565 S 6/2013 Wei  
 D685,352 S 7/2013 Wei  
 D685,772 S 7/2013 Zheng et al.  
 D686,600 S 7/2013 Yang  
 D689,474 S 9/2013 Yang et al.  
 D692,870 S \* 11/2013 He ..... D14/230  
 D694,738 S \* 12/2013 Yang ..... D14/230  
 D695,279 S 12/2013 Yang et al.  
 D695,280 S 12/2013 Yang et al.  
 D703,195 S 4/2014 Zheng  
 D703,196 S 4/2014 Zheng  
 D706,247 S 6/2014 Zheng et al.  
 D706,750 S 6/2014 Bringuir

D706,751 S \* 6/2014 Chang ..... D14/230  
 D708,602 S 7/2014 Gosalia et al.  
 D709,053 S 7/2014 Chang et al.  
 D710,832 S 8/2014 Yang  
 D710,833 S 8/2014 Zheng et al.  
 8,854,265 B1 10/2014 Yang et al.  
 D716,775 S 11/2014 Bidermann  
 D765,062 S \* 8/2016 Zheng ..... D14/230  
 D768,116 S \* 10/2016 Zheng ..... D14/230  
 D778,882 S \* 2/2017 Zheng ..... D14/230  
 D778,883 S \* 2/2017 Zheng ..... D14/230  
 2002/0003499 A1 1/2002 Kouam et al.  
 2003/0222827 A1 \* 12/2003 Sung ..... H01Q 1/22  
 343/770  
 2004/0222936 A1 11/2004 Hung et al.  
 2005/0073462 A1 4/2005 Lin et al.  
 2005/0190108 A1 9/2005 Lin et al.  
 2005/0259024 A1 \* 11/2005 Hung ..... H01Q 1/36  
 343/770  
 2006/0208900 A1 9/2006 Tavassoli Hozouri  
 2007/0030203 A1 2/2007 Tsai et al.  
 2008/0150829 A1 6/2008 Lin et al.  
 2009/0002244 A1 1/2009 Woo  
 2009/0058739 A1 3/2009 Konishi  
 2009/0135072 A1 5/2009 Ke et al.  
 2009/0262028 A1 10/2009 Murnbru et al.  
 2010/0188297 A1 7/2010 Chen et al.  
 2010/0309067 A1 12/2010 Tsou et al.  
 2011/0006950 A1 1/2011 Park et al.  
 2012/0038514 A1 2/2012 Bang  
 2012/0229348 A1 9/2012 Chiang  
 2012/0242546 A1 \* 9/2012 Hu ..... H01Q 1/243  
 343/700 MS  
 2013/0321226 A1 \* 12/2013 Cho ..... H01Q 1/243  
 343/767

\* cited by examiner

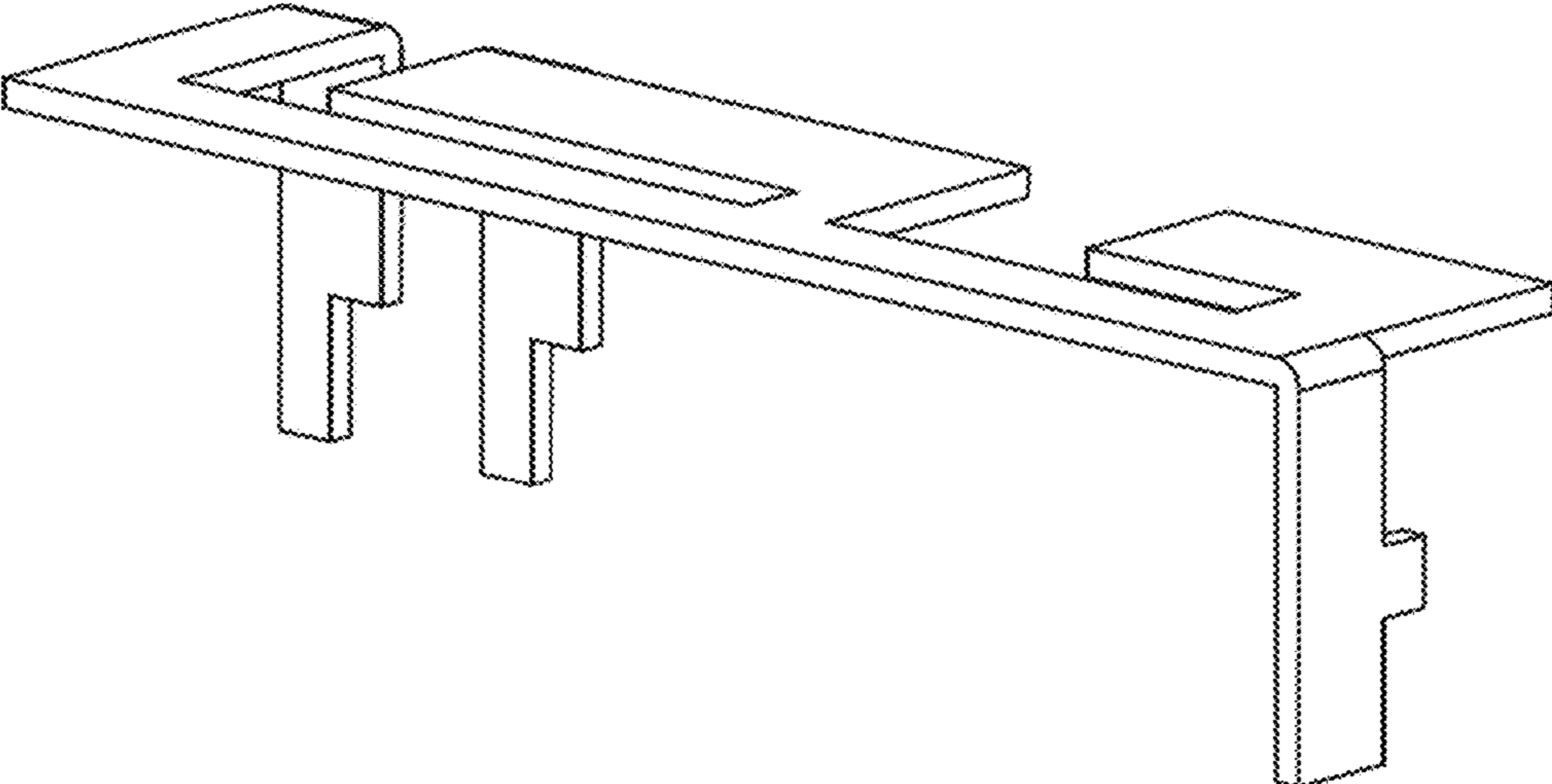


FIG. 1

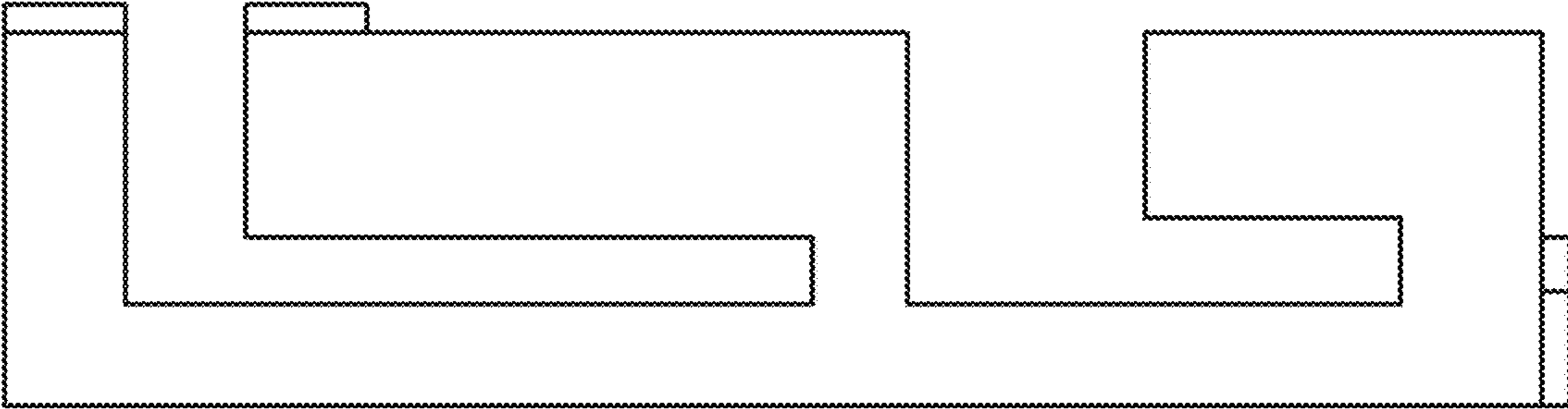


FIG. 2

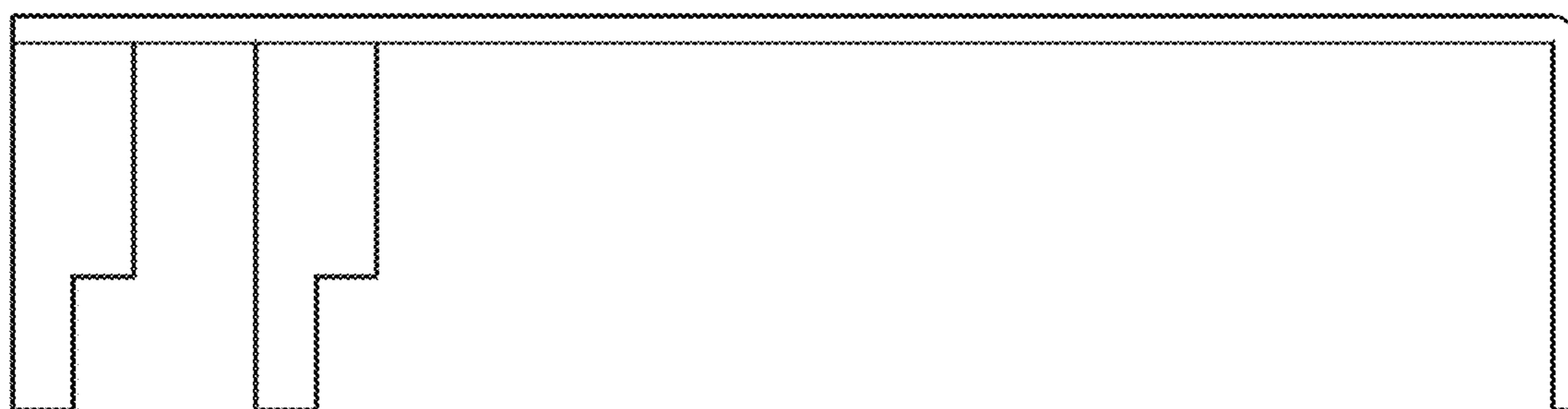


FIG. 3

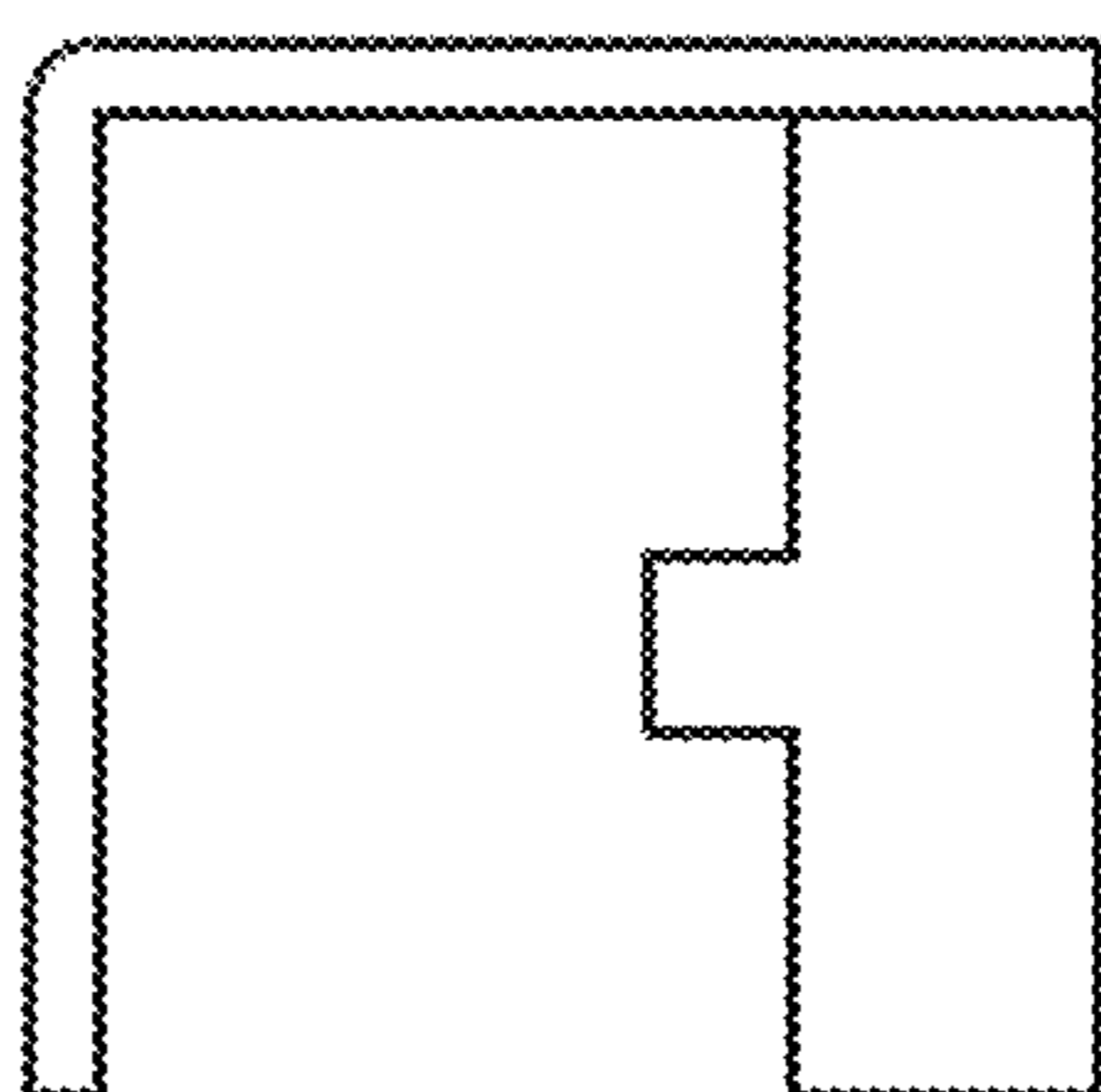


FIG. 4

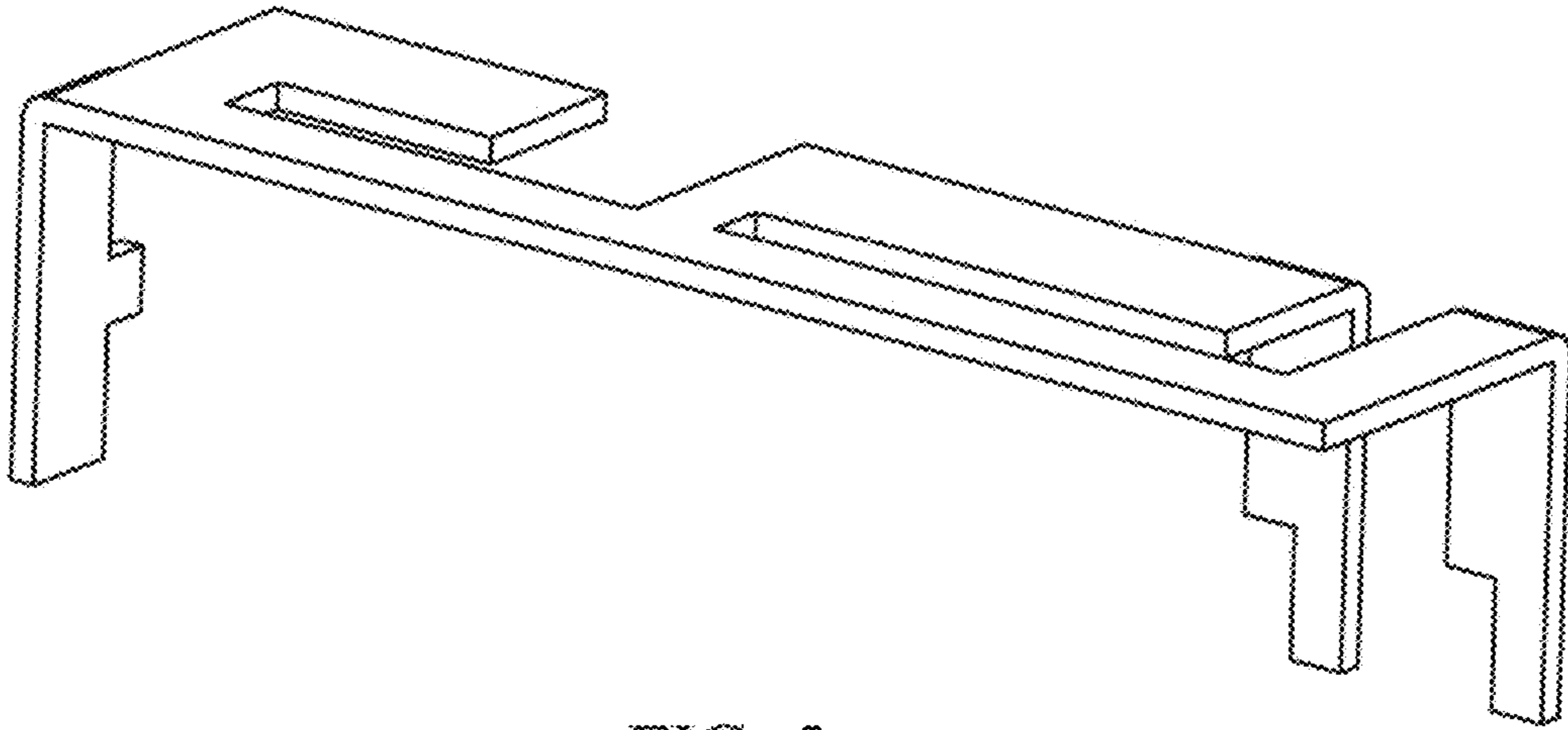


FIG. 5

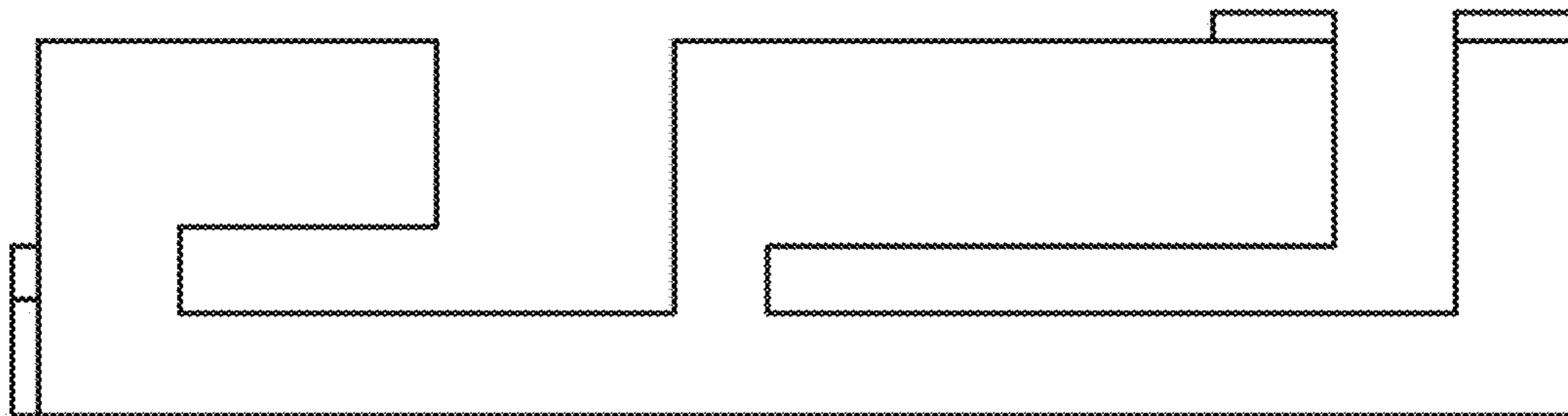


FIG. 6



FIG. 7

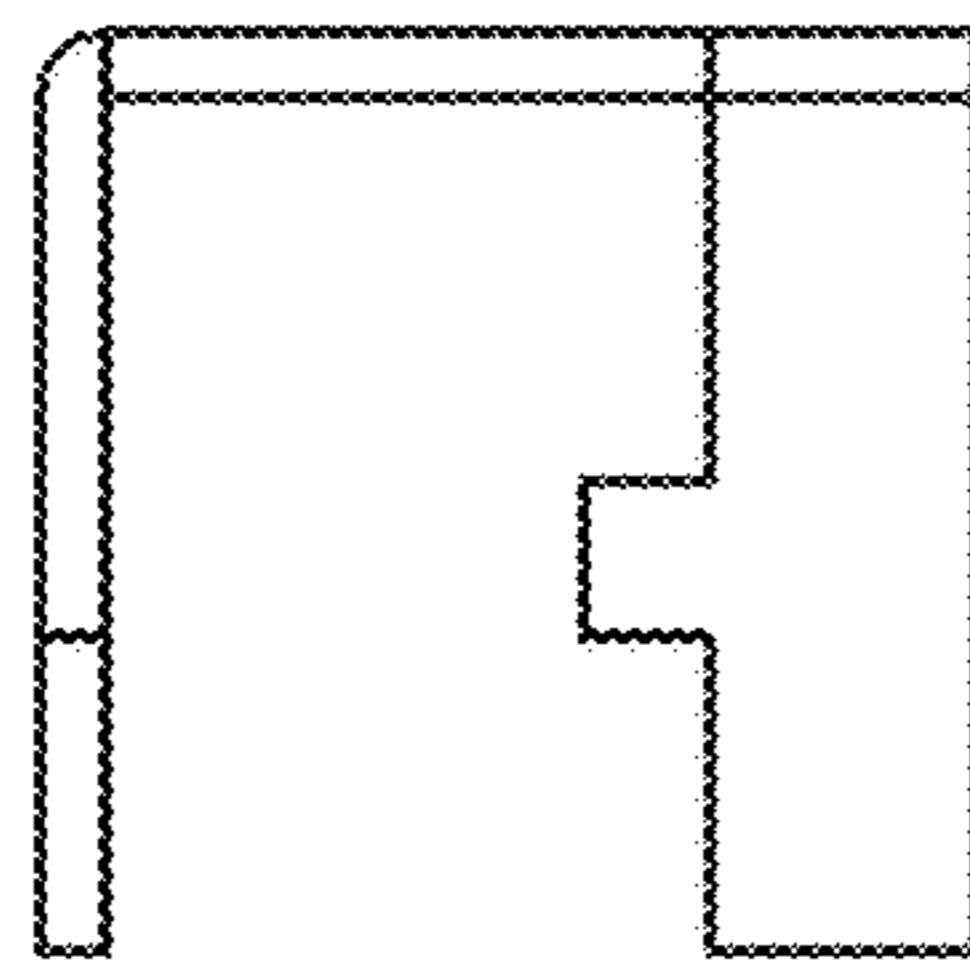


FIG. 8