



US00D791106S

(12) **United States Design Patent**
Kurihara

(10) **Patent No.:** **US D791,106 S**

(45) **Date of Patent:** **** Jul. 4, 2017**

(54) **SPEAKER**

(71) Applicant: **Sony Corporation**, Tokyo (JP)

(72) Inventor: **Daisuke Kurihara**, Chiba (JP)

(73) Assignee: **SONY CORPORATION**, Tokyo (JP)

(**) Term: **15 Years**

(21) Appl. No.: **29/529,994**

(22) Filed: **Jun. 11, 2015**

(30) **Foreign Application Priority Data**

Dec. 11, 2014 (CN) 2014 3 0518148

(51) **LOC (10) Cl.** **14-01**

(52) **U.S. Cl.**
USPC **D14/222**

(58) **Field of Classification Search**
USPC D14/221, 216, 204, 209.1, 210–215, 222,
D14/224, 248, 249; 181/144, 145, 152,
181/156, 169, 173; 381/397, 389, 391,
381/386, 387; D26/59; D23/377;
D12/214, 220; D32/26; 446/36
CPC ... H05K 5/00; H04R 1/02; H04R 1/00; H04R
11/02; H04R 7/00
See application file for complete search history.

(56) **References Cited**

U.S. PATENT DOCUMENTS

834,629 A * 10/1906 Mobley H04R 7/12
181/164
2,114,680 A * 4/1938 Goldsmith H04R 1/32
381/17
2,439,665 A * 4/1948 Marquis H04R 7/20
181/169
2,810,447 A * 10/1957 Radin H04R 9/06
181/174
D186,669 S * 11/1959 Richards et al. D14/212

D186,670 S * 11/1959 Durbin D14/216
2,924,290 A * 2/1960 Zuerker H04R 7/12
181/165
D188,542 S * 8/1960 Levy et al. D14/216
D197,716 S * 3/1964 Boldt et al. D14/216
D198,377 S * 6/1964 Wassmann D14/216
3,499,988 A * 3/1970 Tanmatsu H03F 3/183
257/712
D225,069 S * 11/1972 May D14/216
3,941,932 A * 3/1976 D'Hoogh H04R 3/002
381/190
D244,698 S * 6/1977 Babb D12/206
D244,781 S * 6/1977 Saidel D14/219
4,182,429 A * 1/1980 Senzaki H04R 1/323
181/141
D254,490 S * 3/1980 Matsubara 181/157

(Continued)

Primary Examiner — Paula Greene

(74) *Attorney, Agent, or Firm* — Michael Best and
Friedrich LLP

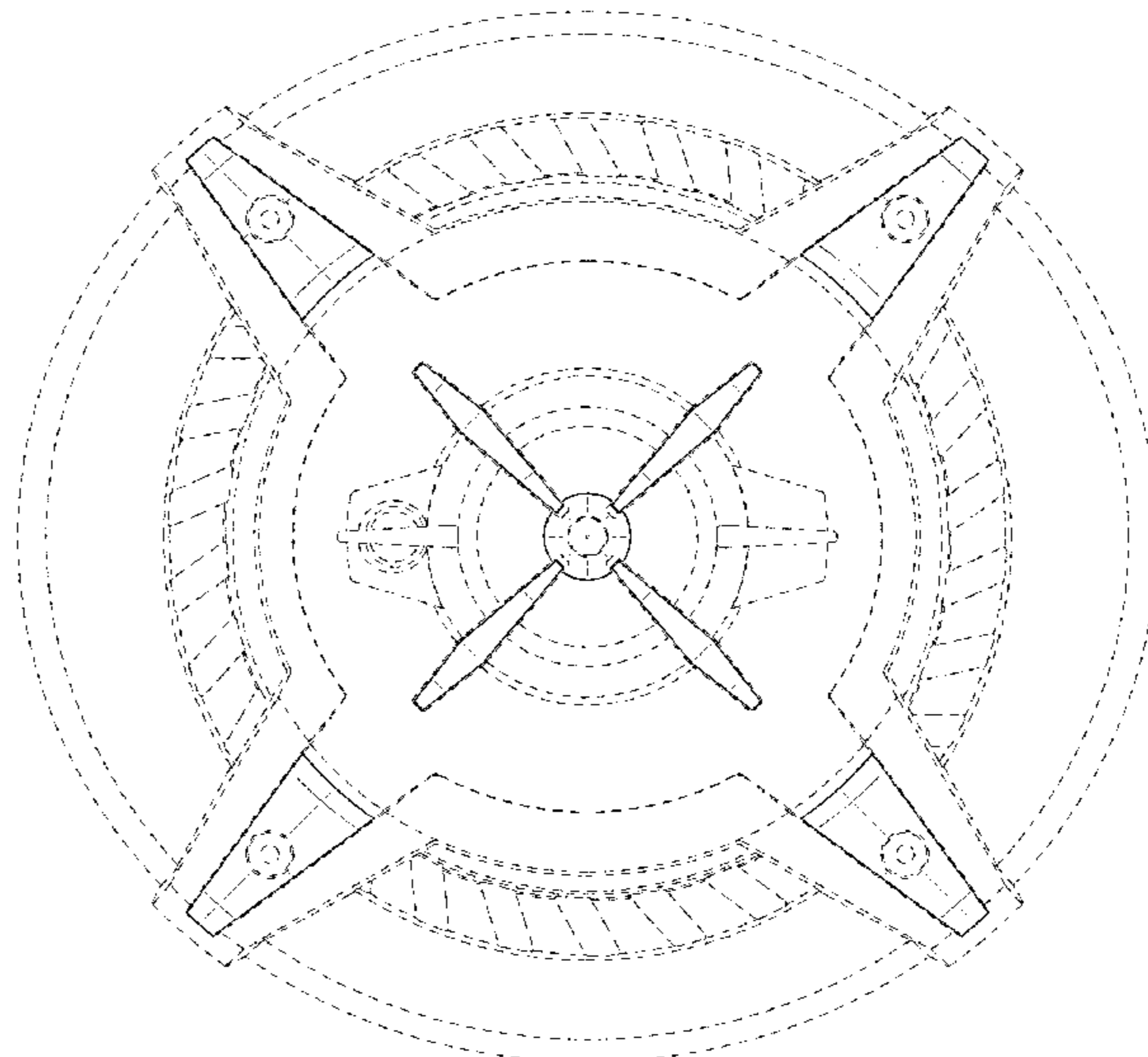
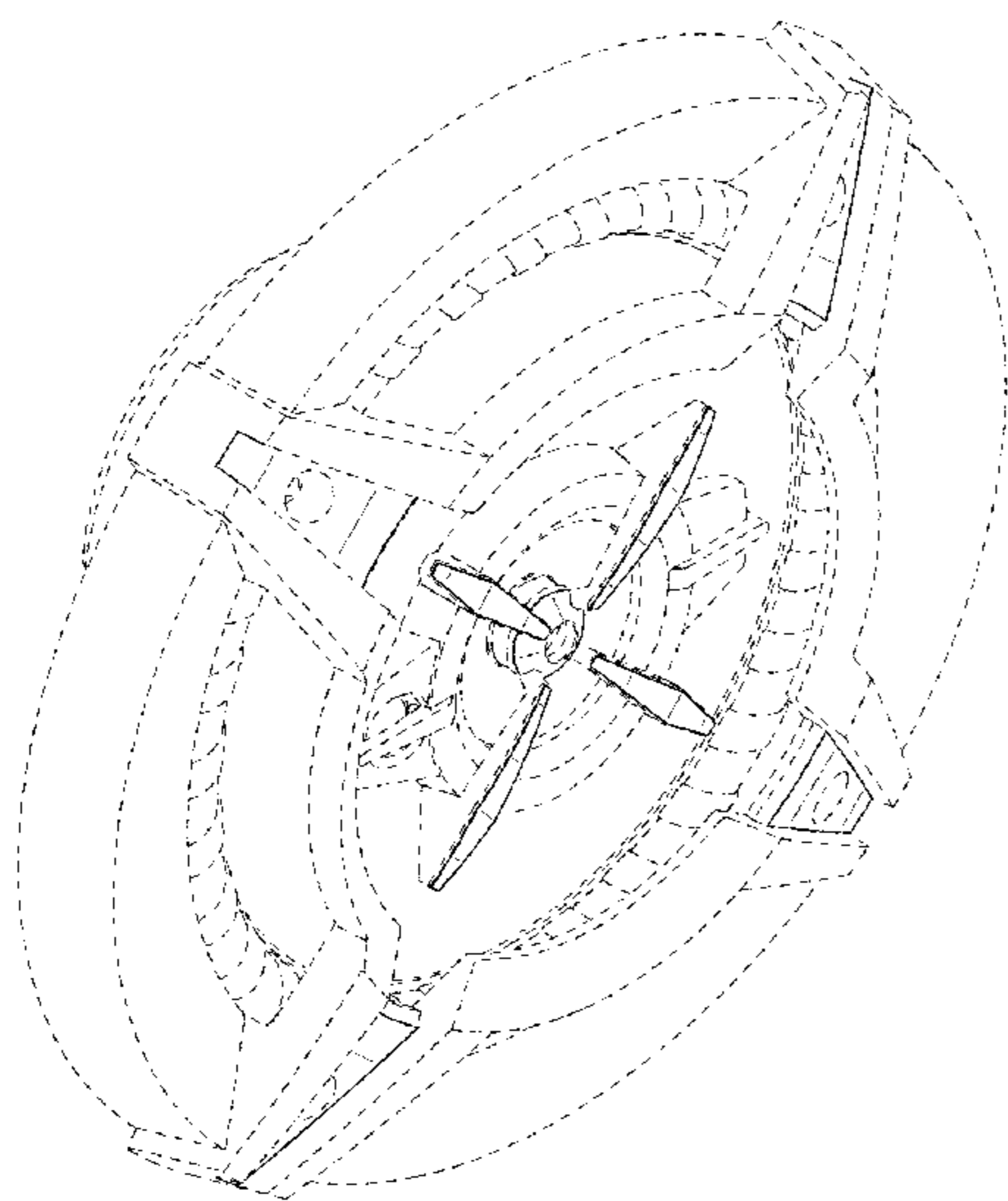
(57) **CLAIM**

The ornamental design for a speaker, as shown and
described.

DESCRIPTION

FIG. 1 is a perspective view of a first embodiment of a
speaker showing my new design;
FIG. 2 is a front elevational view thereof;
FIG. 3 is a perspective view of a second embodiment of a
speaker showing my new design;
FIG. 4 is a front elevational view thereof;
FIG. 5 is a perspective view of a third embodiment of a
speaker showing my new design;
FIG. 6 is a front elevational view thereof;
FIG. 7 is a perspective view of a fourth embodiment of a
speaker showing my new design; and,
FIG. 8 is a front elevational view thereof.
The broken lines illustrating unclaimed portions of the
speaker form no part of the claimed design.

1 Claim, 8 Drawing Sheets



(56)

References Cited

U.S. PATENT DOCUMENTS

D266,324 S * 9/1982 Iijima D14/210
 D276,045 S * 10/1984 Kawachi D14/215
 D320,020 S * 9/1991 Iwano D14/216
 D419,561 S * 1/2000 Haase D14/216
 6,095,278 A * 8/2000 Lin H04R 9/06
 181/148
 D449,293 S * 10/2001 Irby D14/219
 D466,888 S * 12/2002 Sugiyama D14/221
 D480,070 S * 9/2003 Hakoda D14/216
 D480,710 S * 10/2003 Rivera D14/219
 6,792,125 B1 * 9/2004 David H04R 1/025
 381/152
 6,868,165 B1 * 3/2005 Fabian H04R 9/022
 381/397
 D506,748 S * 6/2005 Garretson D14/221
 D506,992 S * 7/2005 Suzuki D14/221
 D506,993 S * 7/2005 Suzuki D14/221
 D510,084 S * 9/2005 Hasbrook D14/221
 D529,898 S * 10/2006 Kuribayashi D14/215
 D542,779 S * 5/2007 Pantaleone D14/216
 D550,209 S * 9/2007 Mizokawa D14/216
 D550,651 S * 9/2007 Mizokawa D14/216
 D550,652 S * 9/2007 Mizokawa D14/216
 D551,209 S * 9/2007 Mizokawa D14/216

D556,738 S * 12/2007 Yao D14/216
 7,306,073 B2 * 12/2007 Frasl H04R 7/14
 181/157
 D559,835 S * 1/2008 Marshall D14/216
 D571,791 S * 6/2008 Lazzeroni D14/219
 D574,812 S * 8/2008 Sei D14/216
 D576,153 S * 9/2008 Sei D14/216
 D585,882 S * 2/2009 Lum D14/224
 D586,786 S * 2/2009 Monaghan D14/216
 D593,073 S 5/2009 Kurihara
 D600,676 S * 9/2009 Maurer D14/209
 D600,678 S * 9/2009 Maurer D14/216
 D607,439 S * 1/2010 Jokinen D14/216
 D626,945 S * 11/2010 Chen D14/222
 8,230,966 B2 * 7/2012 Kajihara H04R 7/12
 181/167
 D711,853 S * 8/2014 Miyata D14/204
 2007/0098204 A1 * 5/2007 Iekura B60R 11/0223
 381/386
 2007/0098206 A1 * 5/2007 Ando H04R 1/023
 381/391
 2012/0328146 A1 * 12/2012 Tsuruta G10K 9/22
 381/389
 2015/0003639 A1 * 1/2015 Cheung H04R 1/02
 381/162

* cited by examiner

FIG.1

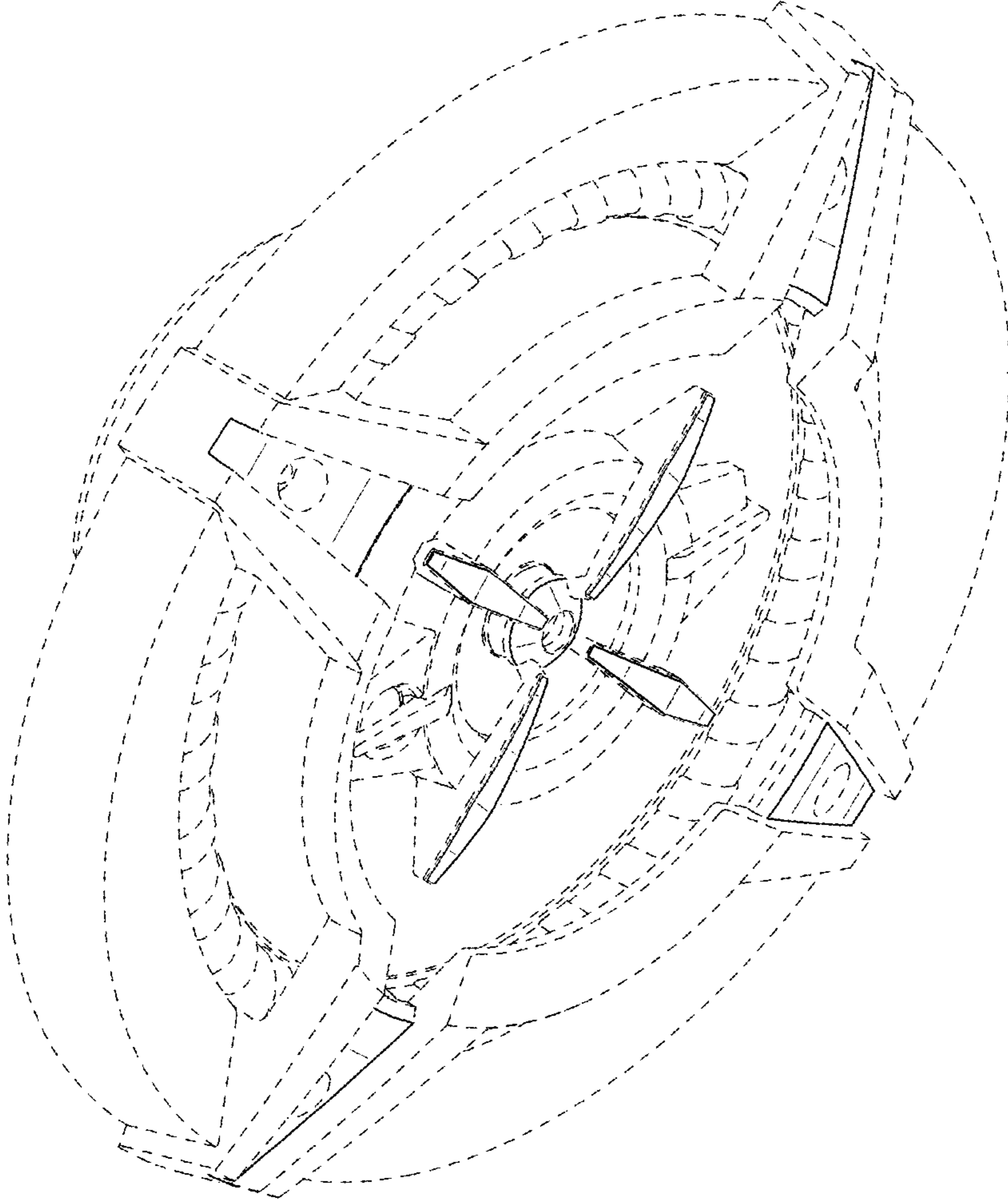


FIG.2

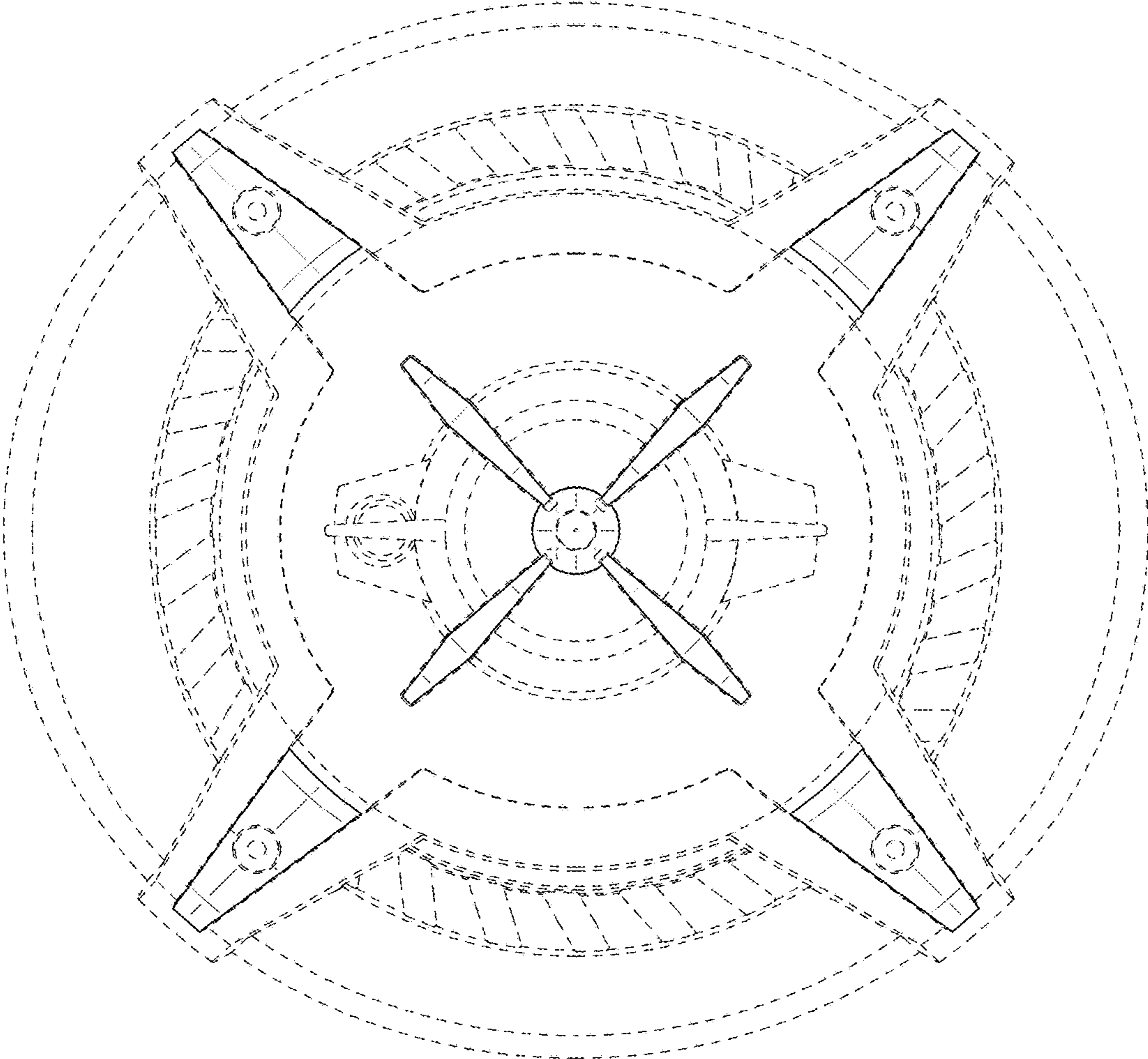


FIG.3

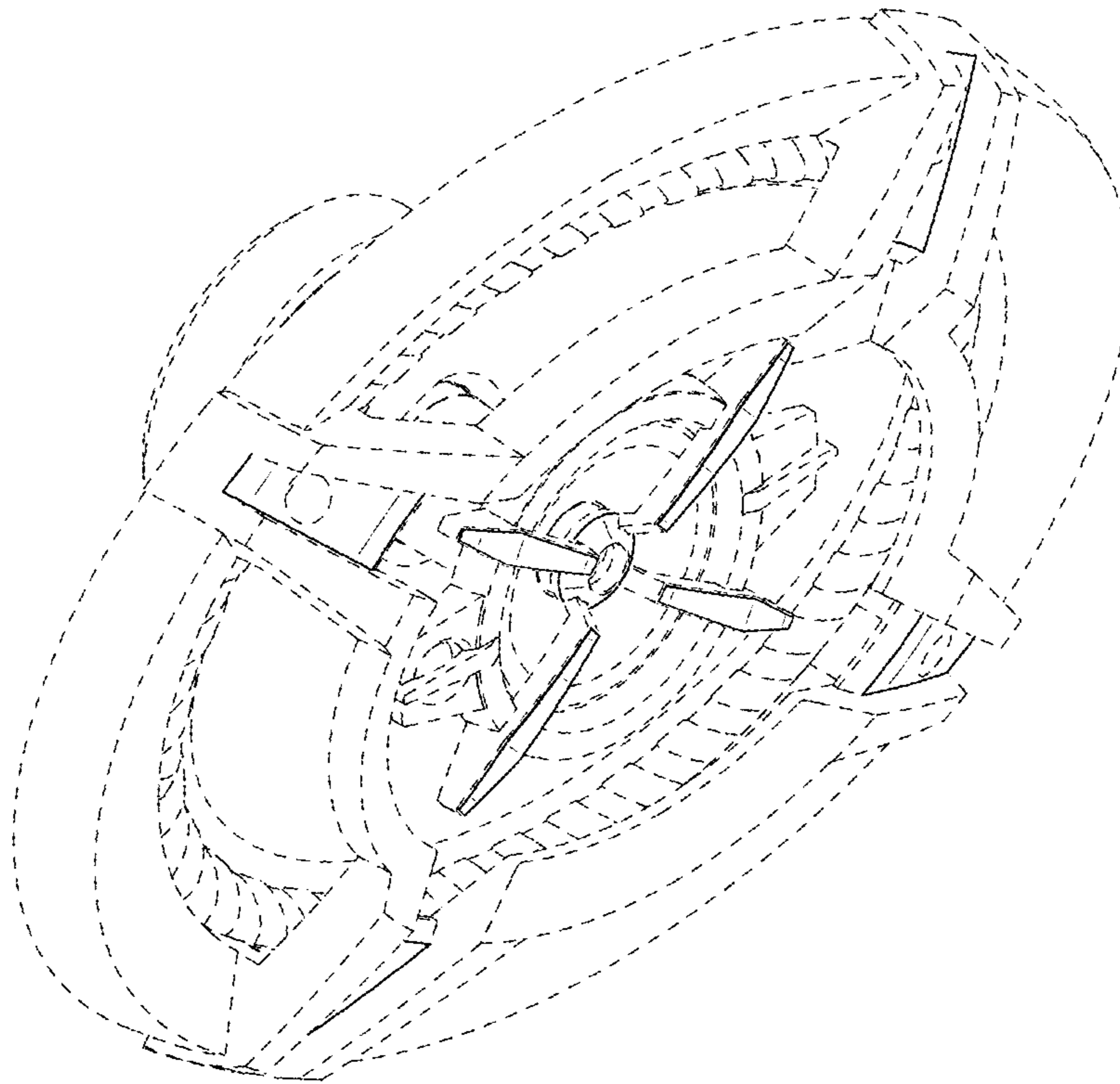


FIG.4

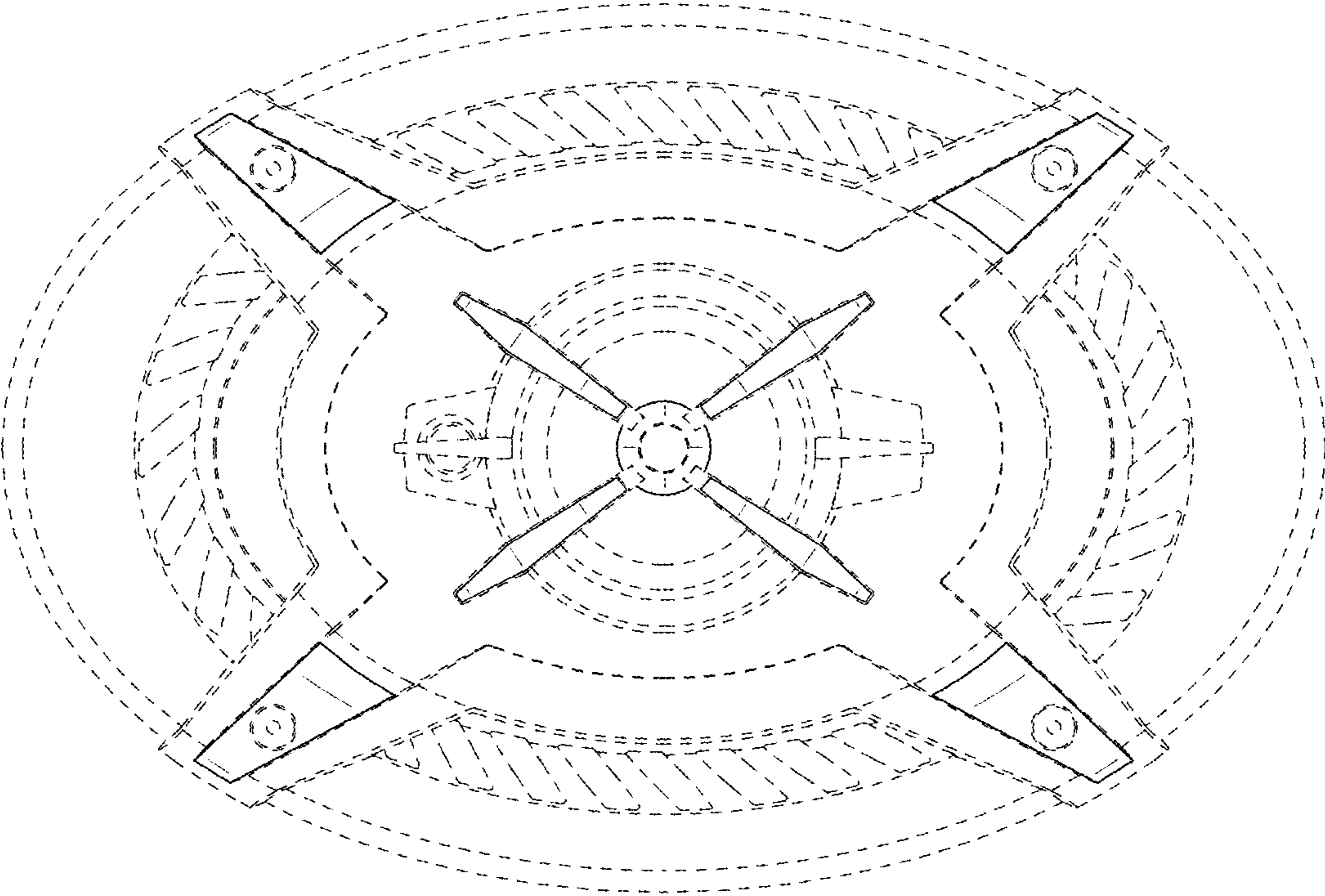


FIG.5

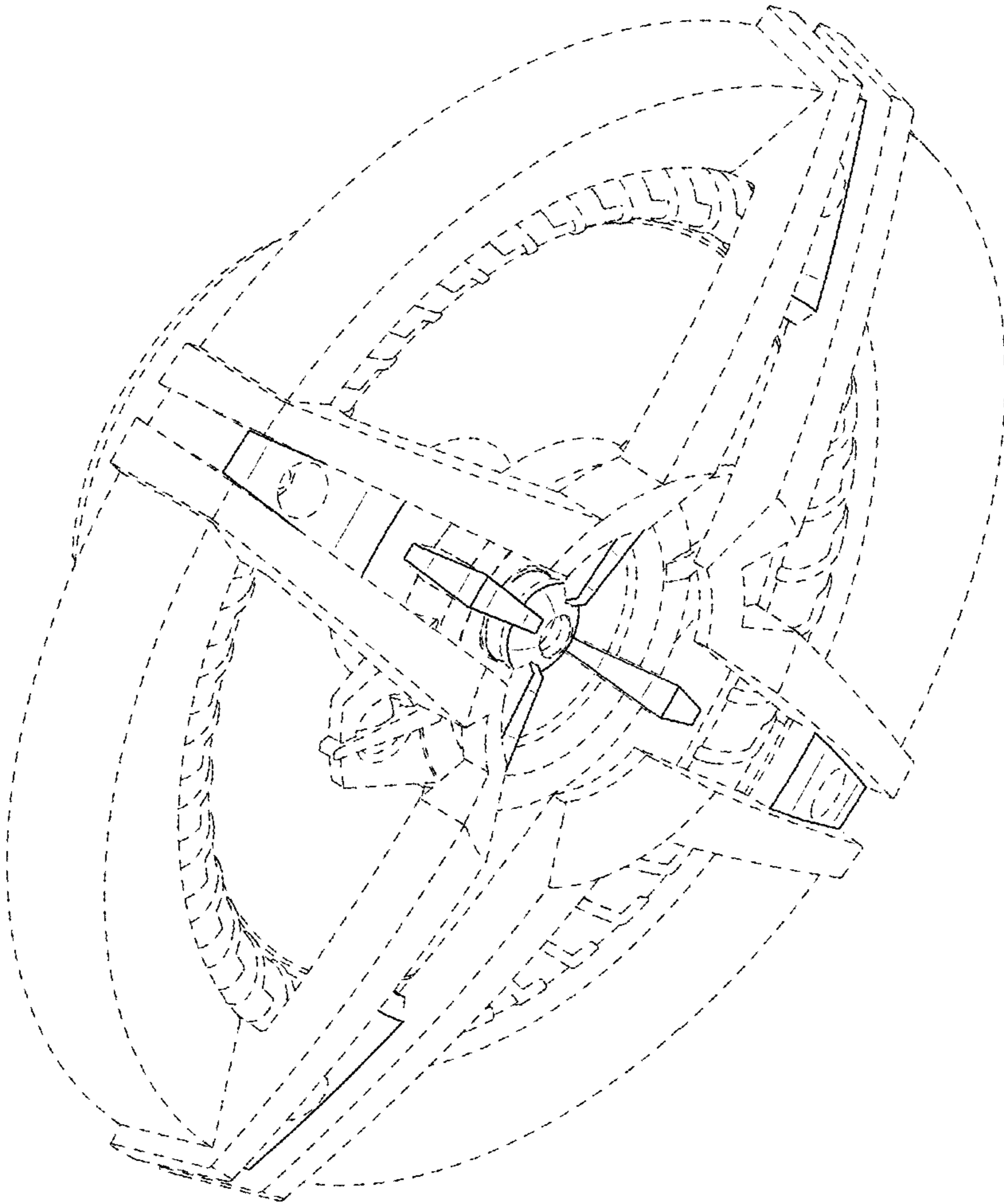


FIG.6

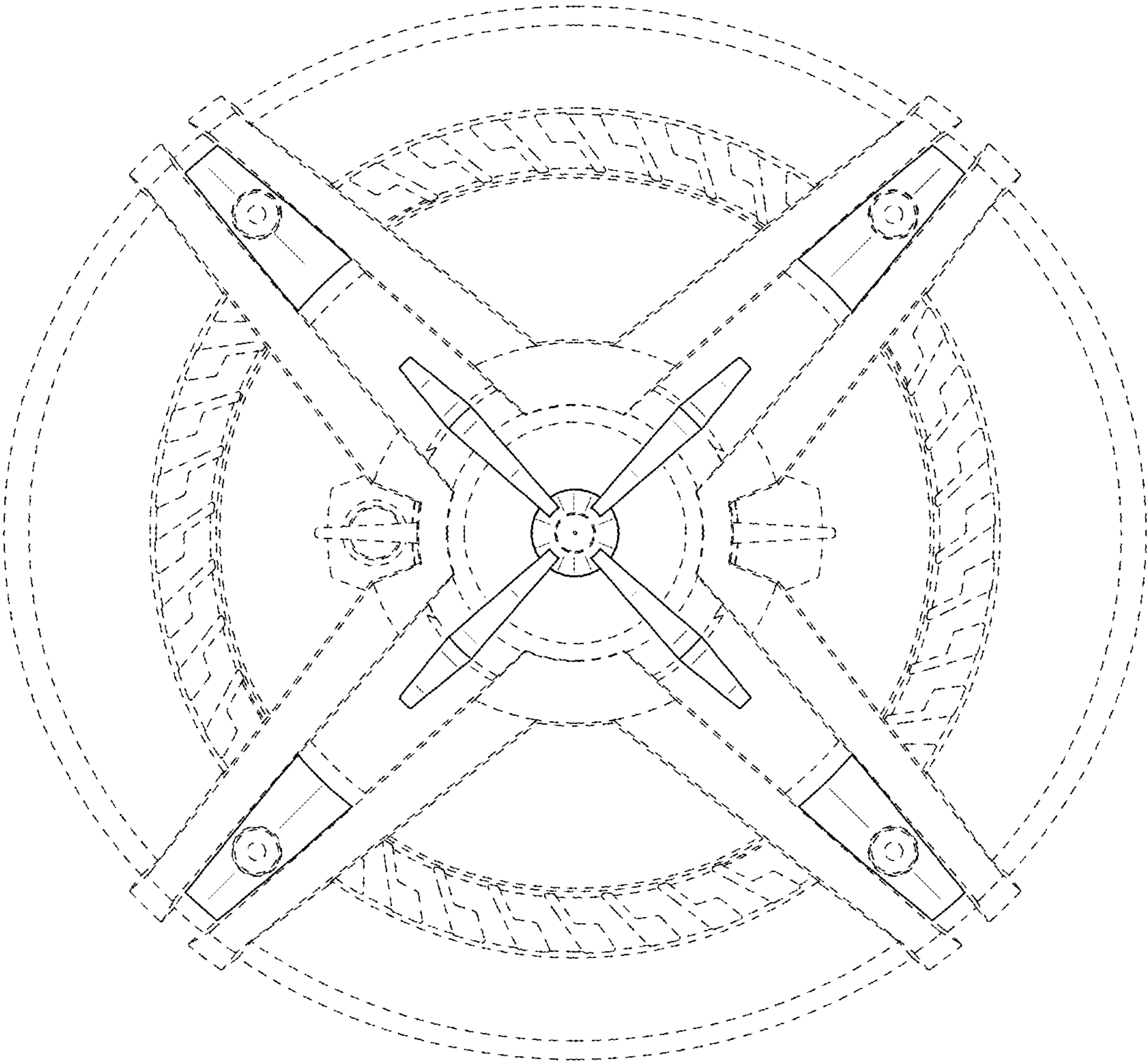


FIG.7

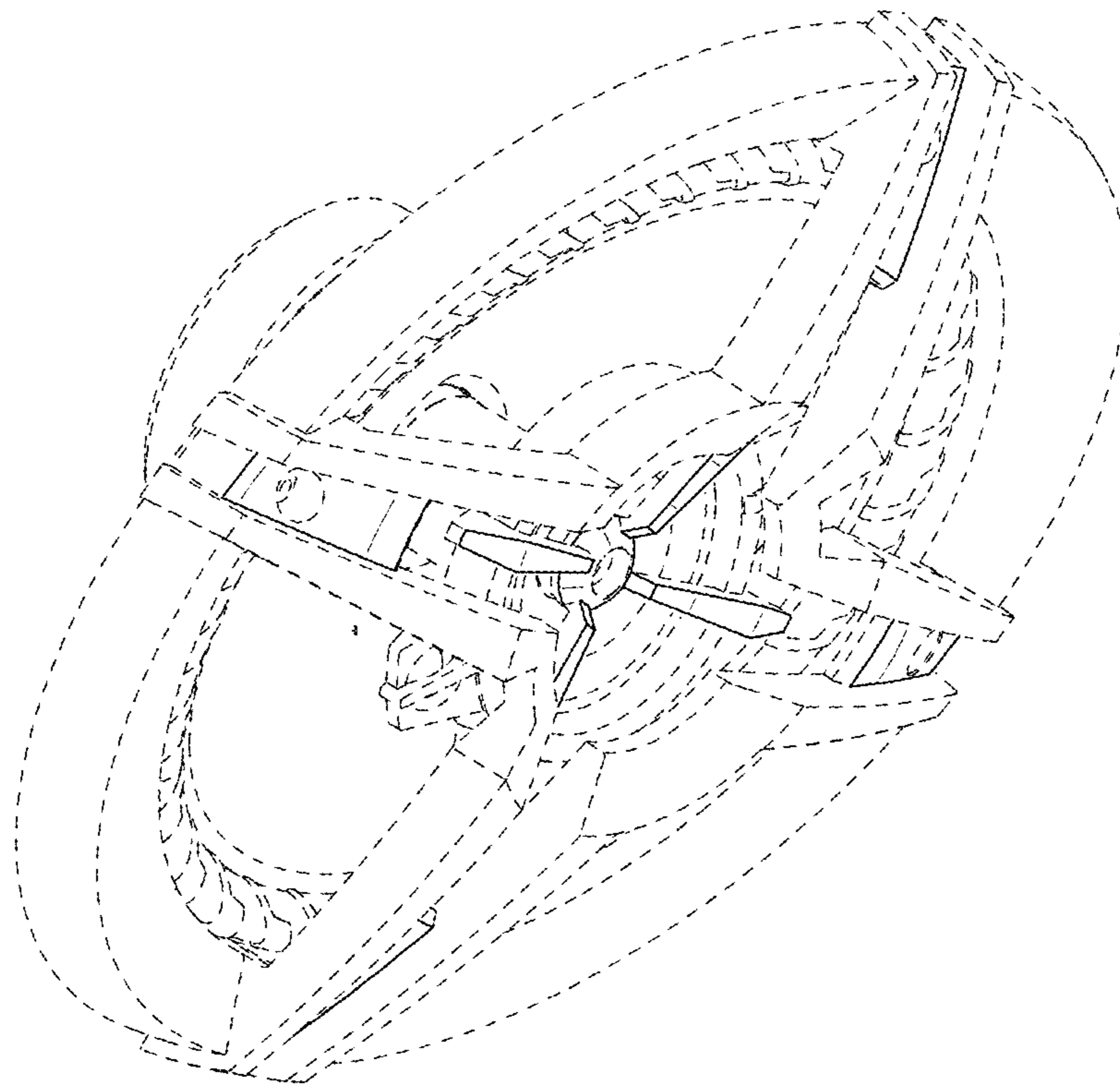


FIG.8

