



US00D791105S

(12) **United States Design Patent**
Weber et al.

(10) **Patent No.:** **US D791,105 S**
(45) **Date of Patent:** **** Jul. 4, 2017**

- (54) **ANTENNA**
- (71) Applicant: **Kathrein-Werke KG**, Rosenheim (DE)
- (72) Inventors: **Stefan Weber**, Söchtenau (DE);
Yannick Juretzki, München (DE);
Josef Fahrenschon, Rosenheim (DE)
- (73) Assignee: **KATHREIN-WERKE KG**, Rosenheim (DE)
- (**) Term: **15 Years**
- (21) Appl. No.: **29/546,151**
- (22) Filed: **Nov. 19, 2015**

- D470,837 S * 2/2003 Tourres D14/230
 - D538,260 S * 3/2007 Wada D14/188
 - 7,319,767 B2 * 1/2008 Fidlin H04R 1/06
381/182
 - D562,307 S * 2/2008 Warden D14/211
- (Continued)

FOREIGN PATENT DOCUMENTS

JP D1504473 * 8/2014

OTHER PUBLICATIONS

Kathrein Scala Outdoor Antenna, datasheet on Scribd.com, upload date Jul. 30, 2014, site visited Mar. 16, 2017, <https://www.scribd.com/document/235477452/Kathrein-80010622V01#>.

(Continued)

Primary Examiner — John Windmuller
Assistant Examiner — John R Yeh
(74) *Attorney, Agent, or Firm* — Nixon & Vanderhye PC

(30) **Foreign Application Priority Data**

- May 22, 2015 (EM) 001435655-0001
- May 22, 2015 (EM) 001435655-0002
- May 22, 2015 (EM) 001435655-0003
- May 22, 2015 (EM) 001435655-0004

- (51) **LOC (10) Cl.** **04-01**
- (52) **U.S. Cl.**
USPC **D14/218**

- (58) **Field of Classification Search**
USPC D14/230, 232, 236, 238, 299, 358, 497,
D14/204, 217, 221, 224
CPC H01Q 9/32; H01Q 9/08; H01Q 15/00;
H01Q 15/10; H01Q 23/00; H01Q
21/0075; H01Q 1/12; H01Q 1/22; H01Q
1/42
See application file for complete search history.

(57) **CLAIM**

The ornamental design for an antenna, as shown and described.

DESCRIPTION

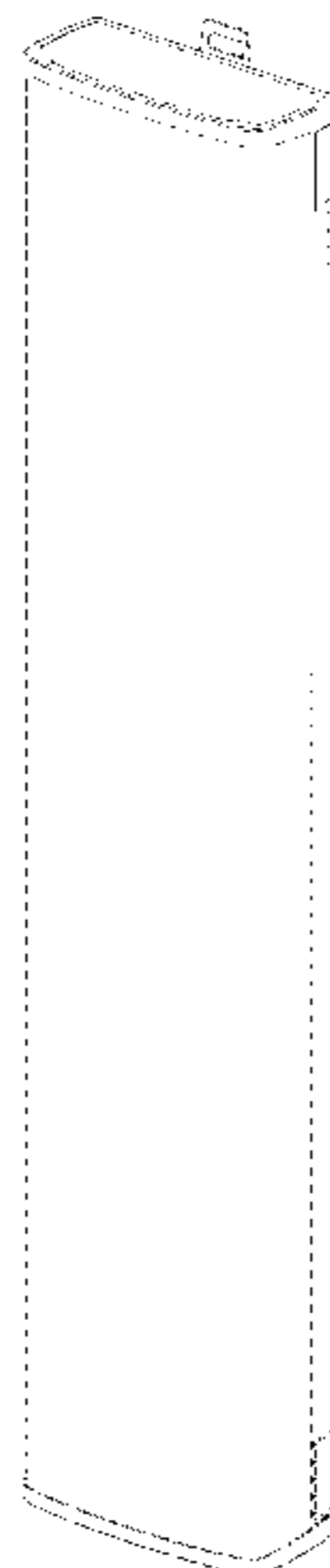
FIG. 1 is a first perspective view showing our design for an antenna;
FIG. 2 is a front elevation view thereof;
FIG. 3 is a rear elevation view thereof;
FIG. 4 is a top plan view thereof, enlarged to show additional detail;
FIG. 5 is a bottom plan view thereof, enlarged to show additional detail;
FIG. 6 is a right side view thereof;
FIG. 7 is a left side view thereof; and,
FIG. 8 is a second perspective view thereof.
The broken lines in the figures represent features of the antenna which form no part of the claimed design.

1 Claim, 5 Drawing Sheets

(56) **References Cited**

U.S. PATENT DOCUMENTS

- D347,225 S * 5/1994 Lowy D14/204
- 5,349,362 A * 9/1994 Forbes H01Q 9/38
343/701
- D398,611 S * 9/1998 Read D14/230
- 5,844,529 A * 12/1998 Bell H01Q 1/42
333/12
- D425,068 S * 5/2000 Melin D14/230



(56)

References Cited

U.S. PATENT DOCUMENTS

7,782,268 B2 * 8/2010 Carroll H01Q 1/246
343/758
D659,686 S * 5/2012 Podduturi D14/230
D660,284 S * 5/2012 Carbone D14/214
8,876,551 B2 * 11/2014 Berger H01R 24/52
439/579
D721,352 S * 1/2015 Kusano D14/204
D738,868 S * 9/2015 Scott D14/230
D775,110 S * 12/2016 Tsen D14/230
2001/0022559 A1 * 9/2001 Takahashi H01Q 1/3291
343/724
2006/0176235 A1 * 8/2006 Gottl H01Q 1/246
343/872
2008/0074328 A1 * 3/2008 Noro H01Q 1/42
343/700 MS
2009/0219188 A1 * 9/2009 Mezger G01S 7/40
342/27
2009/0223164 A1 * 9/2009 Cook E04H 12/02
52/651.07

OTHER PUBLICATIONS

Kathrein-Werke KG, Mobile Communication Solutions, Antennas, website 2017, <https://www.kathrein.com/en/solutions/mobile-communication/products/antennas-accessor>, site visited Mar. 16, 2017.*

* cited by examiner

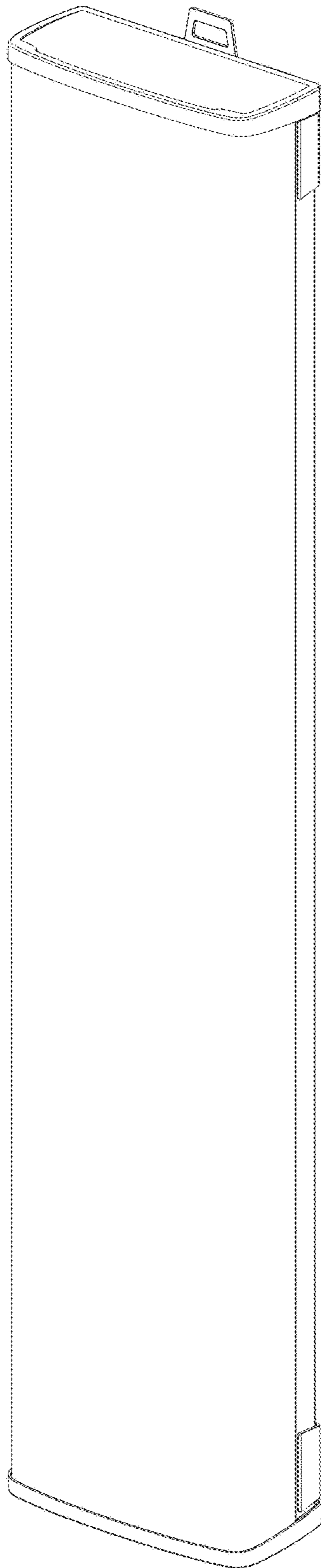


FIG. 1

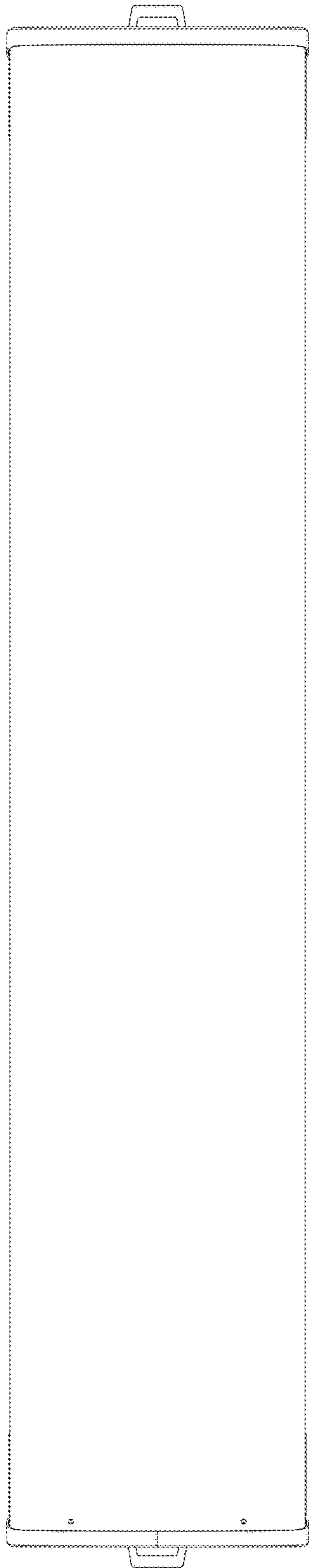


FIG. 2

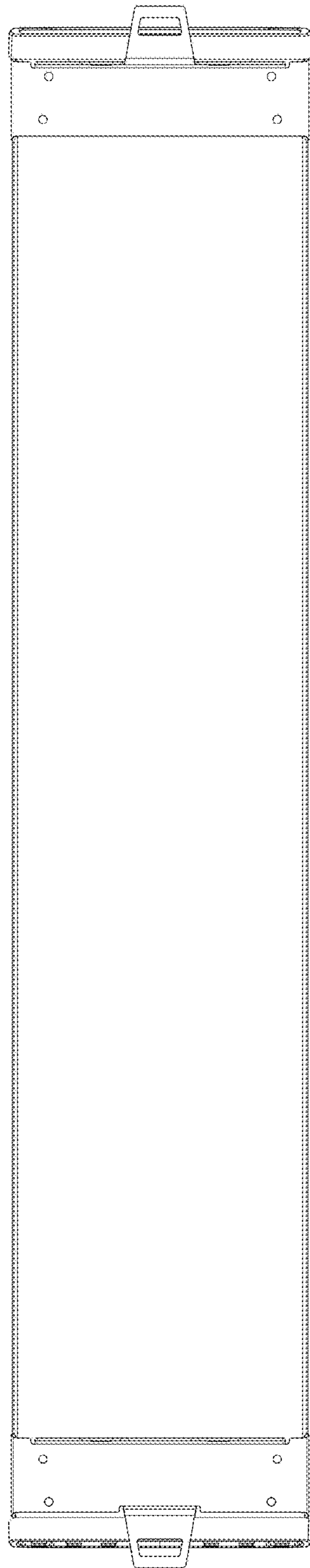


FIG. 3

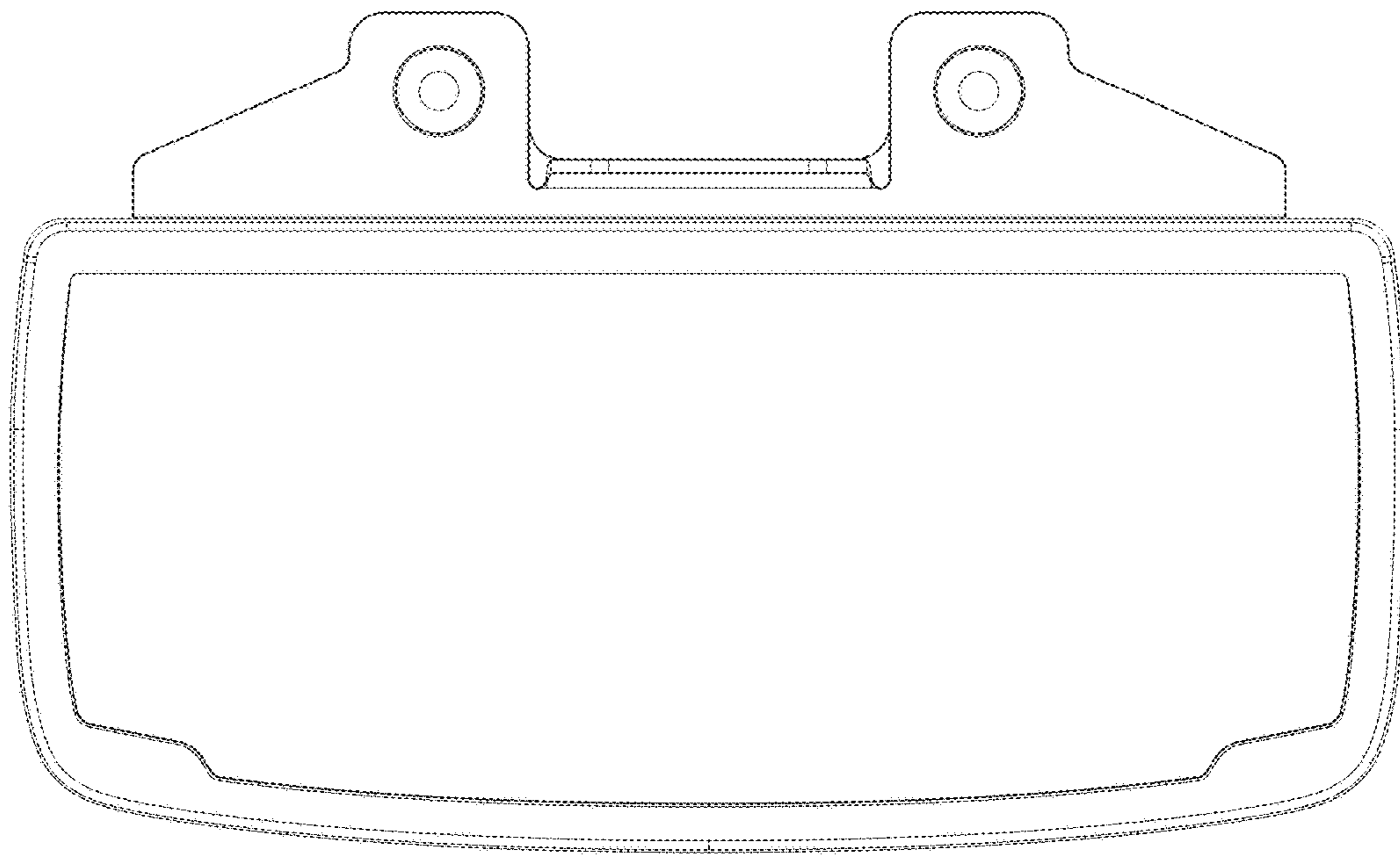


FIG. 4

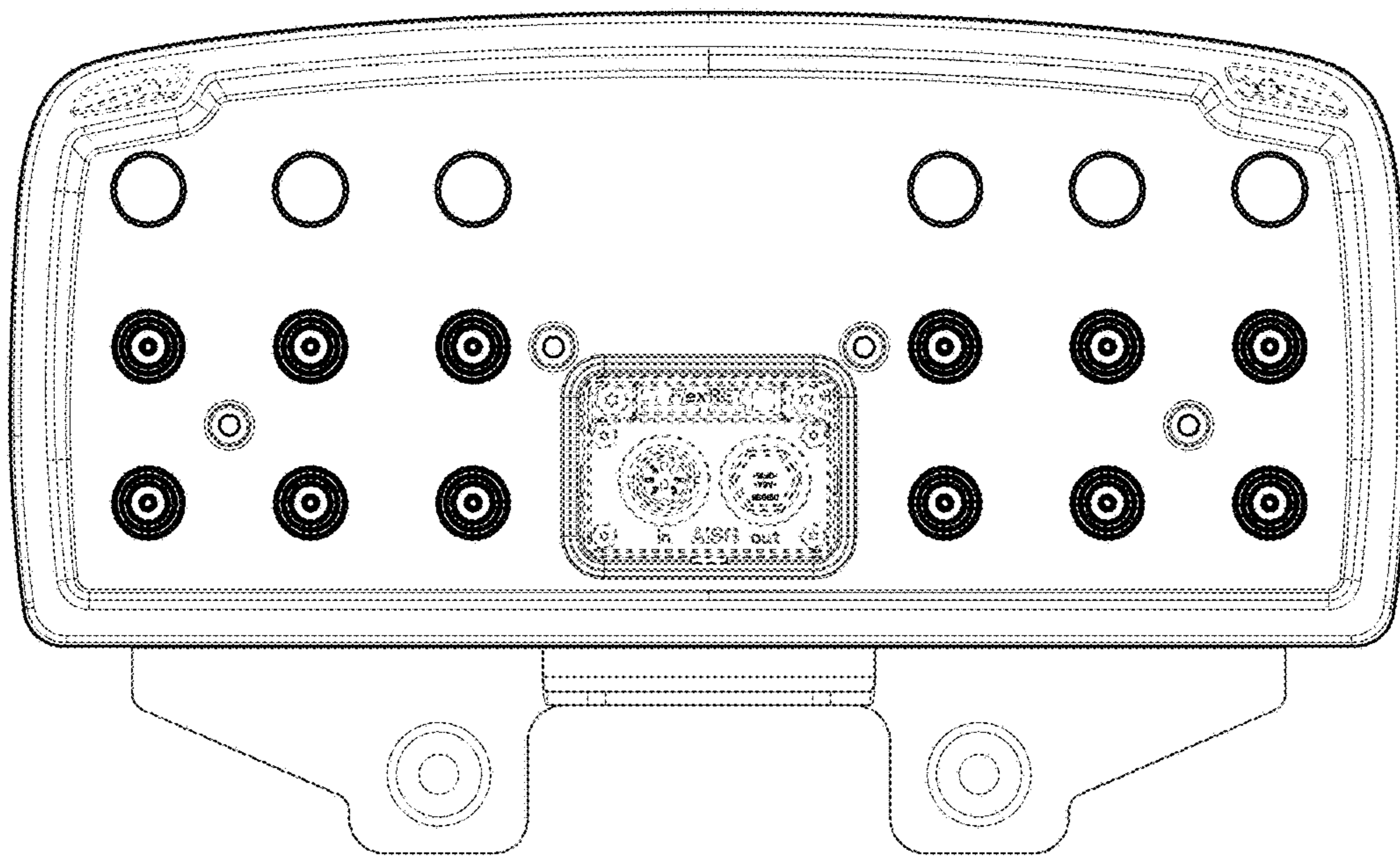


FIG. 5

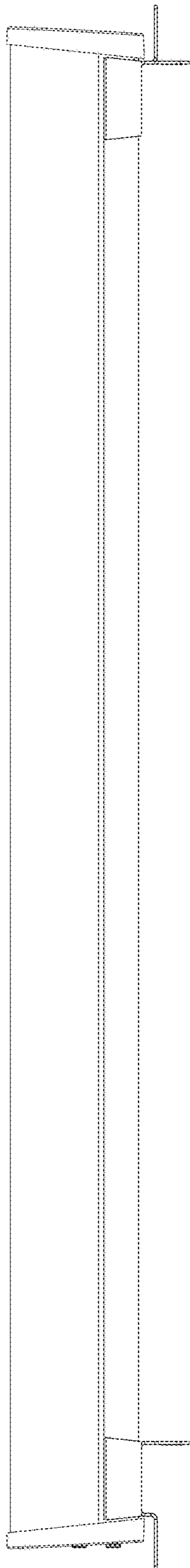


FIG. 6

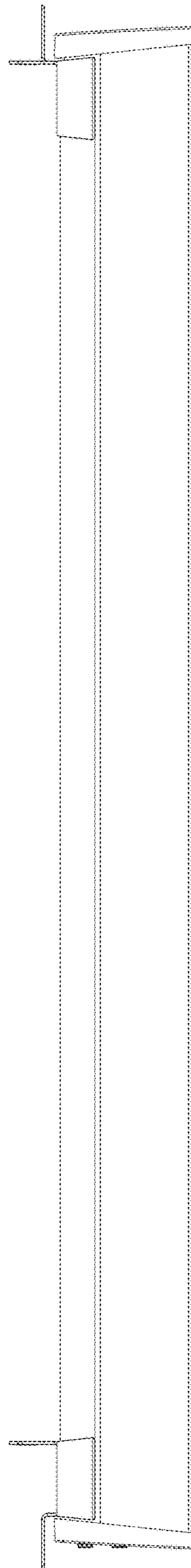


FIG. 7

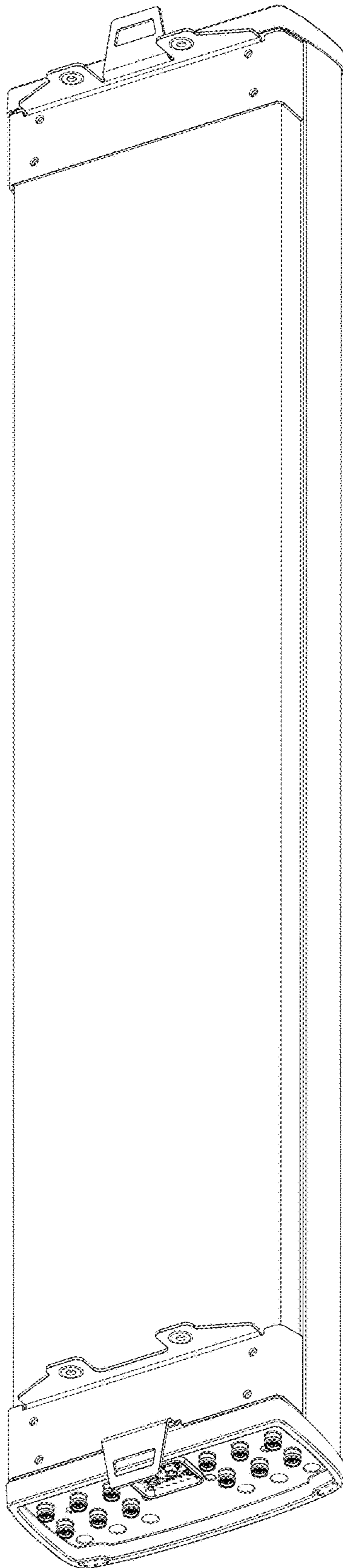


FIG. 8