



US00D791103S

(12) **United States Design Patent** (10) **Patent No.:** **US D791,103 S**
Brunner et al. (45) **Date of Patent:** **** Jul. 4, 2017**

(54) **AUDIO LISTENING SYSTEM**
(71) Applicant: **Apple Inc.**, Cupertino, CA (US)
(72) Inventors: **Robert Brunner**, San Francisco, CA (US); **Rhys Bonahoom**, Burlingame, CA (US); **Gregoire Vandebussche**, San Francisco, CA (US); **Nivay Anandarajah**, San Francisco, CA (US); **Christopher Fruhauf**, San Anselmo, CA (US)
(73) Assignee: **Apple Inc.**, Cupertino, CA (US)
(**) Term: **15 Years**
(21) Appl. No.: **29/559,676**
(22) Filed: **Mar. 30, 2016**

Related U.S. Application Data

(63) Continuation of application No. 29/527,765, filed on May 21, 2015, now Pat. No. Des. 760,687, which is a continuation of application No. 29/489,127, filed on Apr. 25, 2014, now Pat. No. Des. 731,457, and a continuation of application No. 29/490,507, filed on May 9, 2014, now Pat. No. Des. 732,000, said application No. 29/527,765 is a continuation of application No. 29/490,508, filed on May 9, 2014, now Pat. No. Des. 738,350, which is a continuation-in-part of application No. 29/489,127.
(51) **LOC (10) Cl.** **14-01**
(52) **U.S. Cl.**
USPC **D14/205**
(58) **Field of Classification Search**
USPC D14/205; D29/112; 2/209; 181/129, 181/130, 135; 379/430, 431; 381/380, 381/381, 379, 374, 74
CPC H04R 1/1066; H04R 1/1016; H04R 1/10; H04R 25/00; H04R 5/033; H04R 5/0335; H04R 1/1075; H04R 1/1091
See application file for complete search history.

(56) **References Cited**
U.S. PATENT DOCUMENTS
4,385,209 A * 5/1983 Greason H04M 1/03 307/400
D328,074 S 7/1992 Yamazaki et al.
D328,461 S 8/1992 Daido et al.
D484,485 S * 12/2003 Matsuoka D14/205
D504,414 S 4/2005 Yoshida
6,980,165 B2 * 12/2005 Yuasa H01Q 1/273 343/718
7,072,483 B2 7/2006 Lenhard-Backhaus
D534,155 S 12/2006 Obata
D540,301 S 4/2007 Obata
D552,077 S 10/2007 Brunner et al.
(Continued)

OTHER PUBLICATIONS

U.S. Appl. No. 29/559,678, filed Mar. 30, 2016; Brunner et al.
Primary Examiner — Paula Greene
(74) *Attorney, Agent, or Firm* — Sterne, Kessler, Goldstein & Fox P.L.L.C.

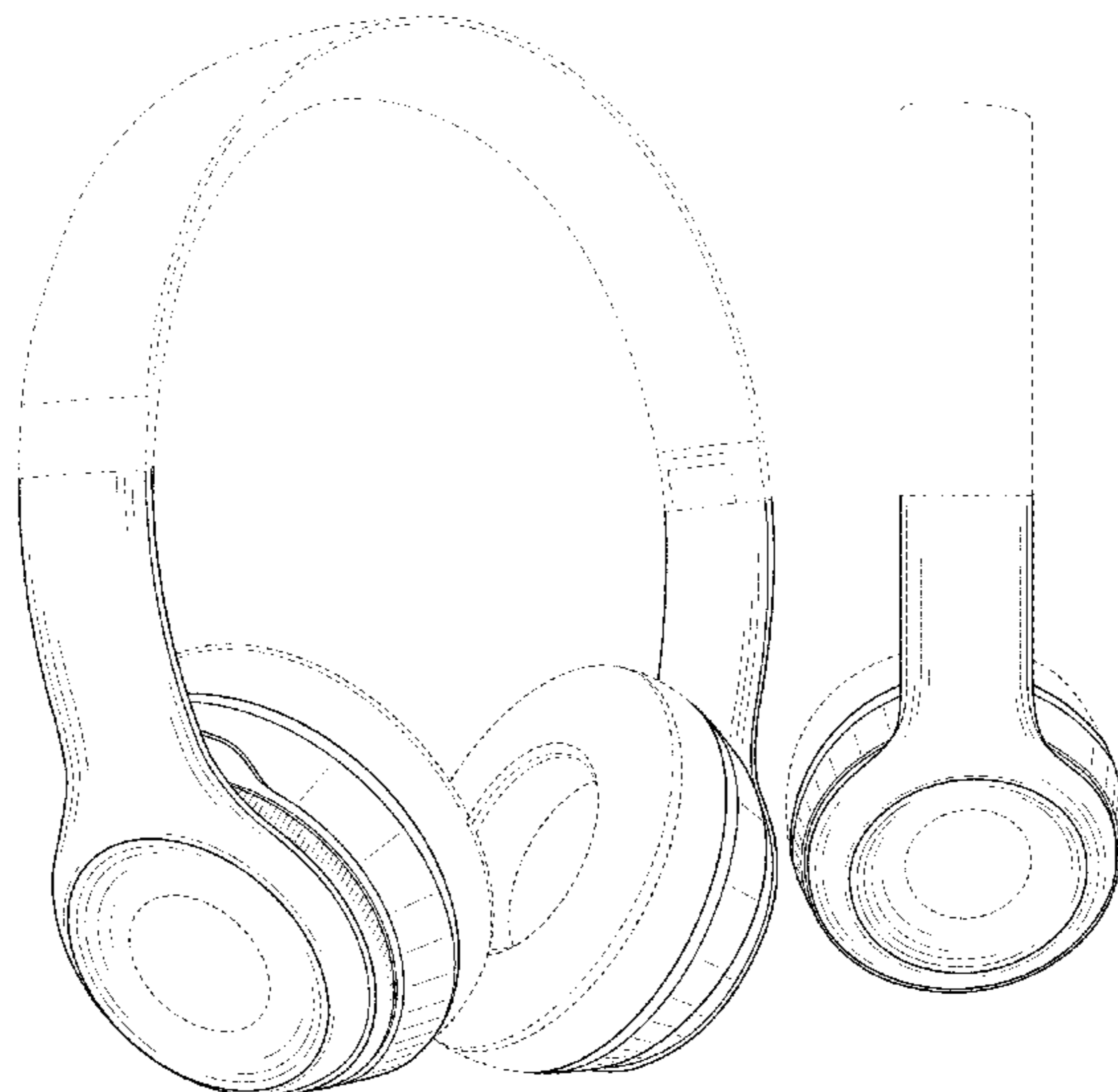
(57) **CLAIM**

The ornamental design for an audio listening system, as shown and described.

DESCRIPTION

FIG. 1 is a front left perspective view of an audio listening system showing our new design;
FIG. 2 is a rear view thereof;
FIG. 3 is a front view thereof;
FIG. 4 is a right side view thereof;
FIG. 5 is a left side view thereof; and,
FIG. 6 is a top view thereof.
The broken lines in the figures show portions of the audio listening system that form no part of the claimed design.

1 Claim, 4 Drawing Sheets



(56)

References Cited

U.S. PATENT DOCUMENTS

7,356,362 B2 * 4/2008 Chang H04R 1/1033
 379/430
 D582,890 S * 12/2008 Koza D14/205
 D585,870 S * 2/2009 Zheng D14/205
 D592,182 S * 5/2009 Sanguinetti D14/205
 D600,674 S * 9/2009 Brennwald D14/205
 D603,371 S * 11/2009 Boateng D14/205
 D625,705 S 10/2010 Ohori et al.
 D628,554 S 12/2010 Tedja et al.
 D632,668 S 2/2011 Brunner et al.
 D635,959 S 4/2011 Hutchieson
 D637,176 S * 5/2011 Brunner D14/205
 8,006,320 B1 8/2011 Rohbani
 D652,406 S * 1/2012 Lee D14/205
 8,098,872 B2 1/2012 Chang
 D657,344 S 4/2012 Brunner et al.
 D657,345 S * 4/2012 Brunner H04R 5/033
 D14/205
 D657,776 S 4/2012 Lee et al.
 D660,823 S 5/2012 Hardi et al.
 D660,824 S 5/2012 Hardi et al.
 D662,080 S 6/2012 Carr et al.
 D663,716 S 7/2012 Hardi et al.
 D664,117 S 7/2012 Tappeiner et al.
 D671,914 S 12/2012 Lee et al.
 D673,136 S 12/2012 Kelly et al.
 D673,520 S 1/2013 Tan
 D675,595 S 2/2013 Cho et al.
 D677,648 S 3/2013 Lee et al.
 D678,860 S 3/2013 Hagelin
 D683,329 S 5/2013 Hagelin

D689,843 S 9/2013 Lee
 D691,984 S 10/2013 Wang
 D693,791 S 11/2013 Troy
 D696,226 S * 12/2013 Brunner H04R 5/033
 D14/205
 D696,228 S 12/2013 Miyake et al.
 D699,702 S 2/2014 Chen
 D706,240 S * 6/2014 Szymanski H04R 1/1066
 D14/205
 D715,255 S 10/2014 Nunez et al.
 D725,630 S * 3/2015 Nakagawa D14/205
 D731,457 S 6/2015 Brunner et al.
 D732,000 S 6/2015 Brunner et al.
 D734,296 S * 7/2015 Paterson D14/205
 D738,350 S 9/2015 Brunner et al.
 D739,378 S * 9/2015 Chung D14/205
 D742,357 S * 11/2015 Chung D14/205
 D760,687 S * 7/2016 Brunner D14/205
 D765,056 S * 8/2016 Yang D14/205
 D767,531 S * 9/2016 Szymanski D14/205
 2004/0216946 A1 * 11/2004 Lenhard-Backhaus H04R 1/1066
 181/129
 2008/0037816 A1 * 2/2008 Lee H04R 5/0335
 381/379
 2011/0206216 A1 * 8/2011 Brunner H04R 1/1066
 381/74
 2013/0177195 A1 * 7/2013 Sze H04R 1/1033
 381/384
 2013/0343591 A1 * 12/2013 Brunner H04R 1/1066
 381/371
 2015/0189422 A1 * 7/2015 Nakano H04R 1/105
 381/378
 2016/0212519 A1 * 7/2016 Henderson H04R 5/0335

* cited by examiner

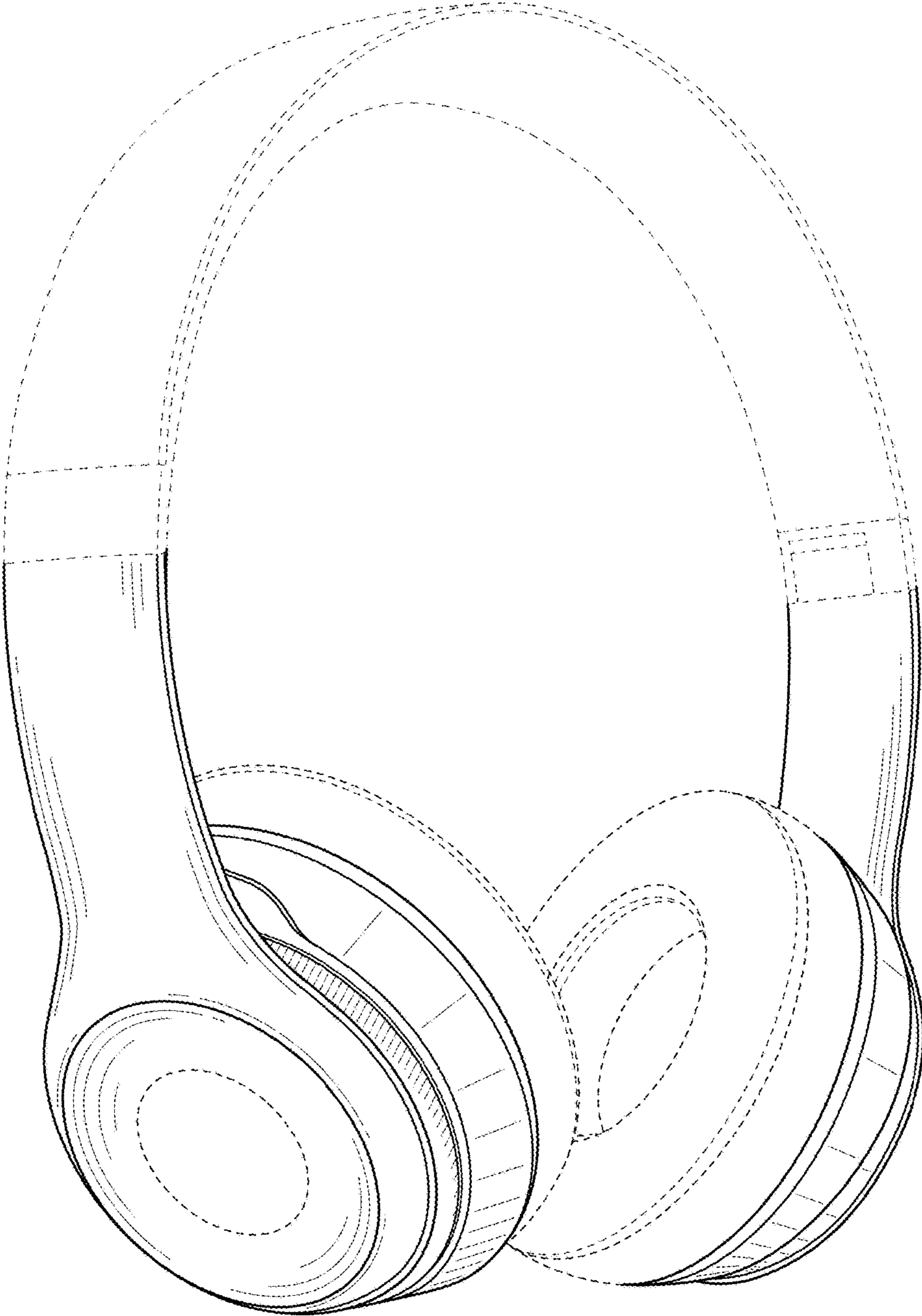


FIG. 1

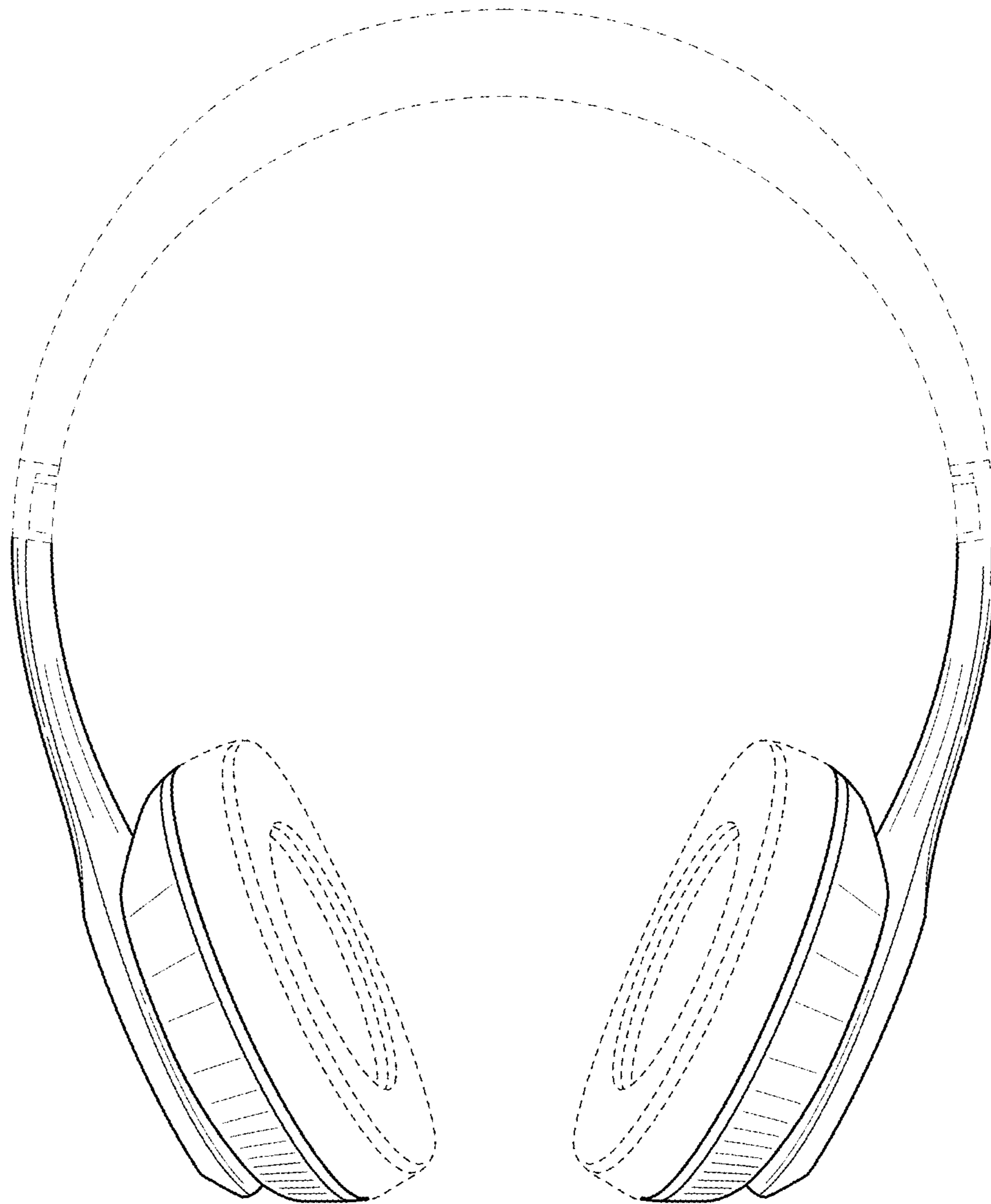


FIG. 2

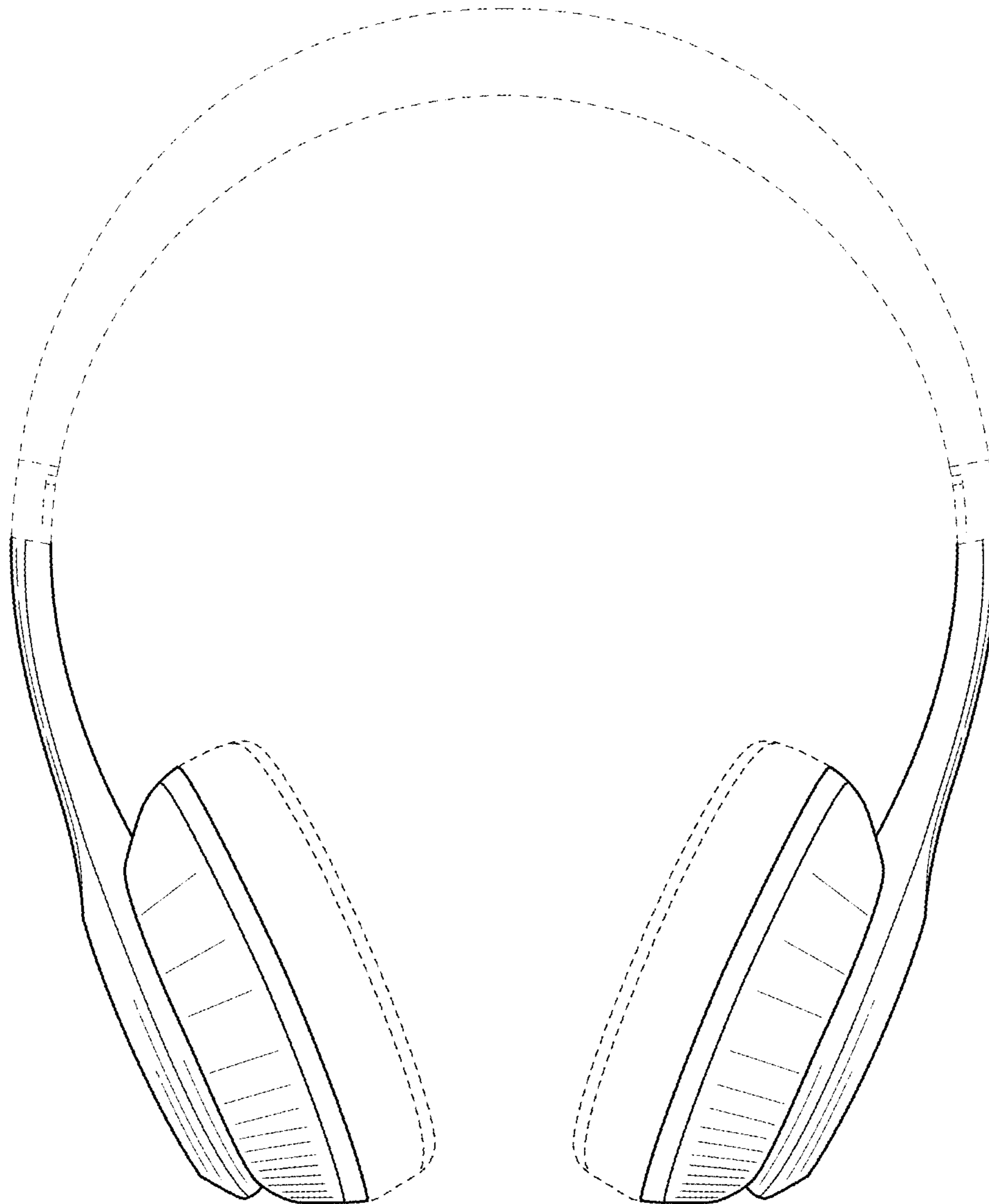


FIG. 3

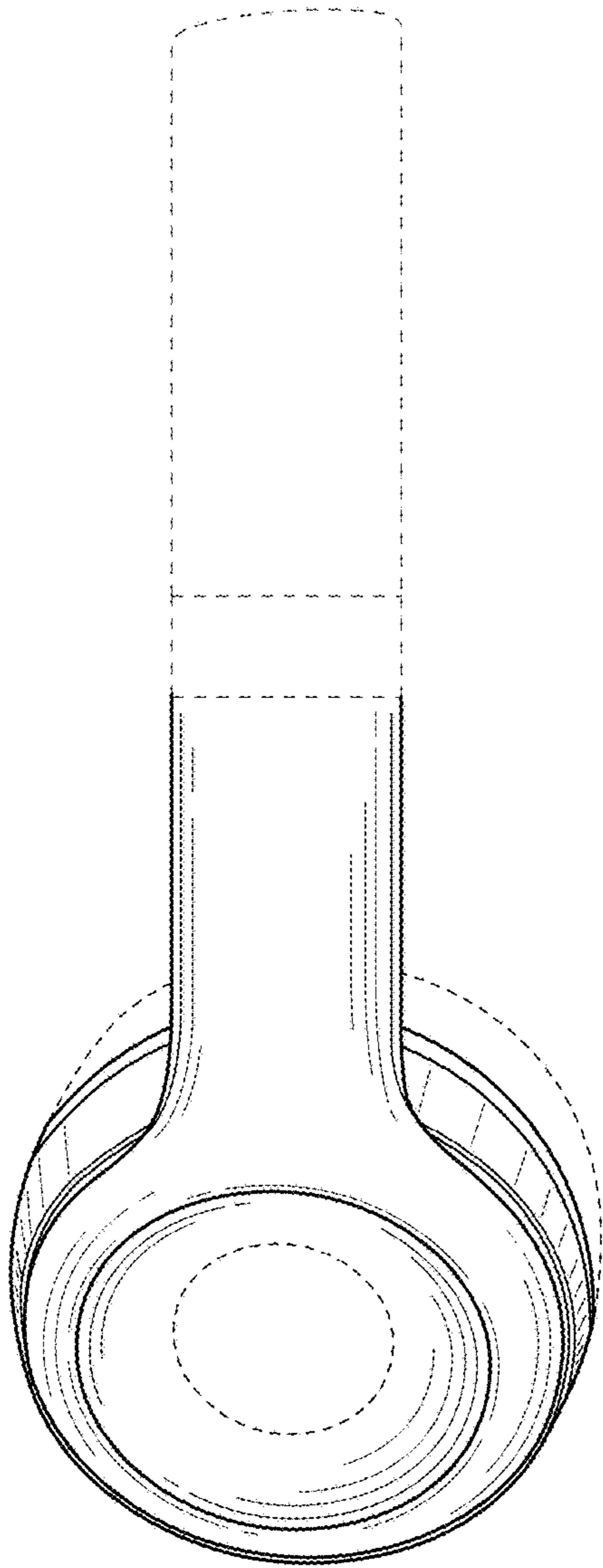


FIG. 4

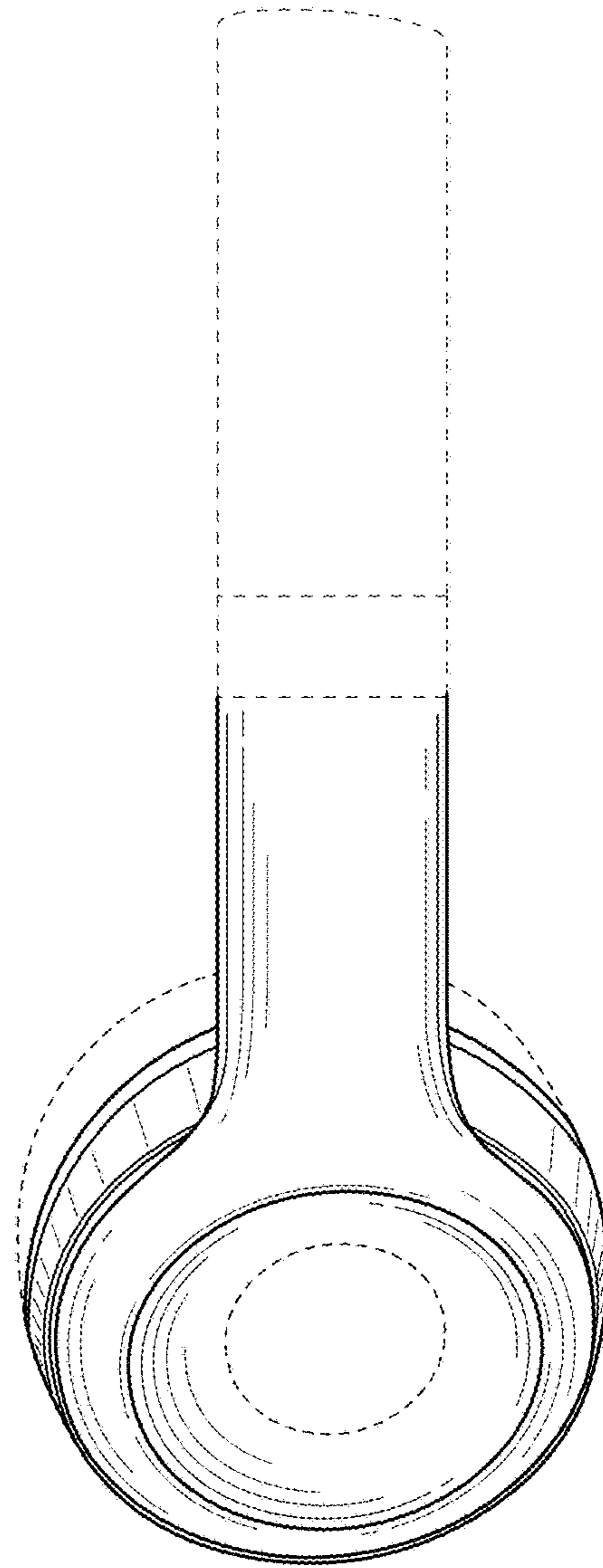


FIG. 5

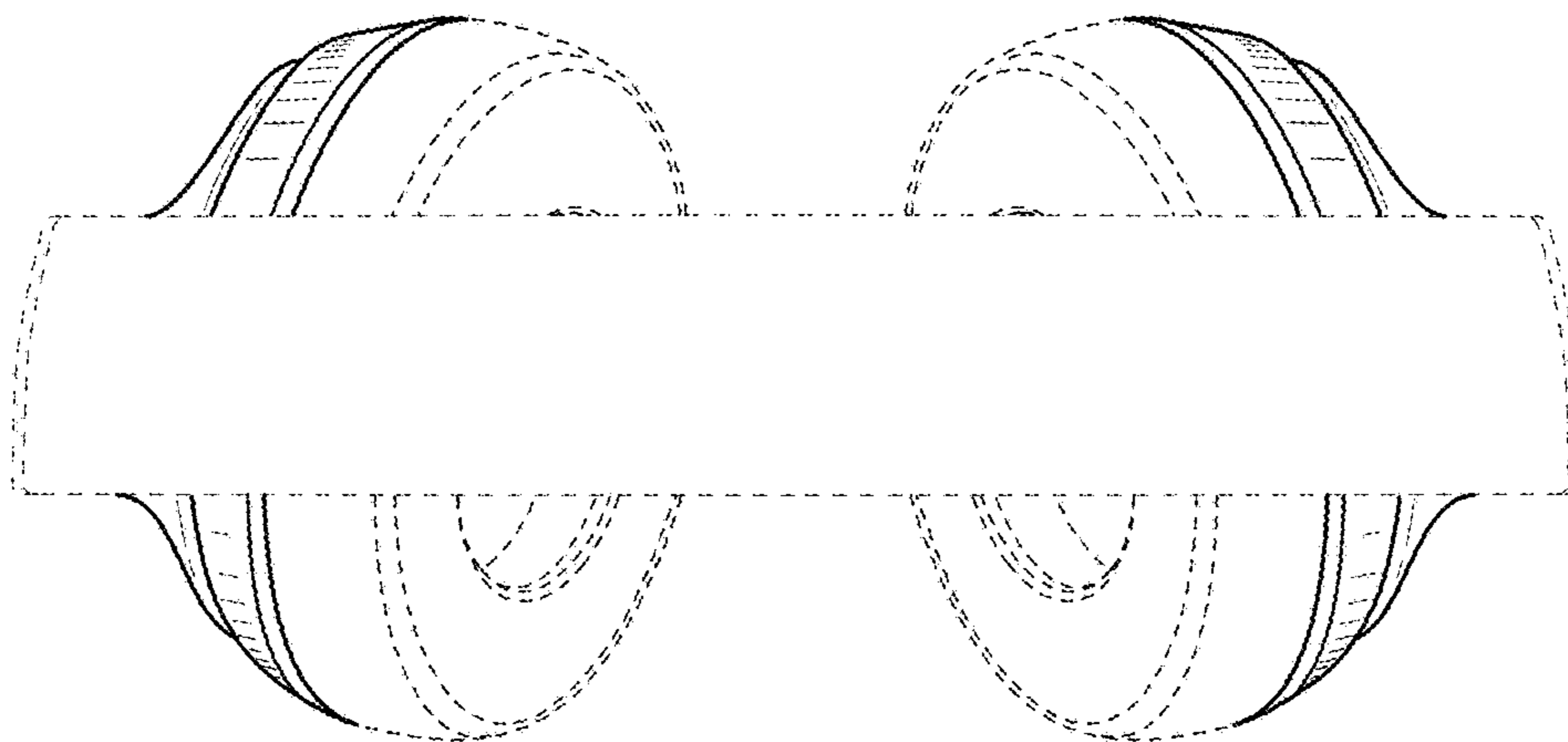


FIG. 6

UNITED STATES PATENT AND TRADEMARK OFFICE
CERTIFICATE OF CORRECTION

PATENT NO. : D791,103 S
APPLICATION NO. : 29/559676
DATED : July 4, 2017
INVENTOR(S) : Brunner et al.

Page 1 of 1

It is certified that error appears in the above-identified patent and that said Letters Patent is hereby corrected as shown below:

On the Title Page

In Column 1, Item (63), Line 6, insert --which is a continuation-in-part of application No. 29/489,127, filed on April 25, 2014, now Pat. No. Des. 731,457,-- immediately following "Pat. No. Des. 732,000,".

Signed and Sealed this
Twenty-third Day of January, 2018



Joseph Matal
*Performing the Functions and Duties of the
Under Secretary of Commerce for Intellectual Property and
Director of the United States Patent and Trademark Office*