



US00D791102S

(12) **United States Design Patent**  
**Katsuno**

(10) **Patent No.:** **US D791,102 S**

(45) **Date of Patent:** **\*\* Jul. 4, 2017**

(54) **HEADPHONE**

(71) Applicant: **CLARION CO., LTD.**, Saitama (JP)

(72) Inventor: **Keita Katsuno**, Matsudo (JP)

(73) Assignee: **CLARION CO., LTD.**, Saitama (JP)

(\*\*) Term: **15 Years**

(21) Appl. No.: **29/548,811**

(22) Filed: **Dec. 16, 2015**

(30) **Foreign Application Priority Data**

Jun. 19, 2015 (JP) ..... 2015-013620

(51) **LOC (10) Cl.** ..... **14-01**

(52) **U.S. Cl.**  
USPC ..... **D14/205**

(58) **Field of Classification Search**  
USPC ..... D14/205, 188, 192, 496; D29/112;  
2/209; D16/130, 306, 309, 336; D26/38;  
181/129, 130, 135; 379/430, 431;  
381/380, 381, 74  
CPC ..... H04R 1/1066; H04R 25/00; H04R 1/10;  
H04R 1/105; H04R 1/1016; G02B 7/02  
See application file for complete search history.

(56) **References Cited**

**U.S. PATENT DOCUMENTS**

- 3,063,721 A \* 11/1962 Jackson ..... A63B 69/3608  
116/215
- D195,365 S \* 6/1963 Holt ..... 359/839
- D215,751 S \* 10/1969 Castelliano ..... 351/158
- 3,647,059 A \* 3/1972 Humphreys ..... G02C 13/006  
15/214
- D229,975 S \* 1/1974 Klugmann ..... D16/309
- 4,634,816 A \* 1/1987 O'Malley ..... H04M 1/05  
379/430

- D297,324 S \* 8/1988 Kohno ..... D14/205
- 4,834,525 A \* 5/1989 Vansaghi ..... G02B 7/002  
351/158
- 5,003,300 A \* 3/1991 Wells ..... G02B 13/16  
340/980
- D318,669 S \* 7/1991 Nakayama ..... D14/205
- 5,446,507 A \* 8/1995 Chang ..... G02B 7/002  
351/124
- D373,360 S \* 9/1996 Kanno ..... D14/205
- D375,312 S \* 11/1996 Kanno ..... D14/205
- D377,021 S \* 12/1996 Isono ..... D14/205
- 5,751,825 A \* 5/1998 Myers ..... G04F 5/025  
381/118
- D399,206 S \* 10/1998 Yasutomi ..... D14/205
- 6,195,441 B1 \* 2/2001 Ito ..... H04R 5/0335  
381/370
- D444,140 S \* 6/2001 Ishibashi ..... D14/192
- 6,385,325 B1 \* 5/2002 Nageno ..... H04R 1/1066  
381/370
- D510,335 S \* 10/2005 Suzuki ..... D14/205
- D512,983 S \* 12/2005 Tachikawa ..... D14/205

(Continued)

*Primary Examiner* — Paula Greene

(74) *Attorney, Agent, or Firm* — McDermott Will & Emery LLP

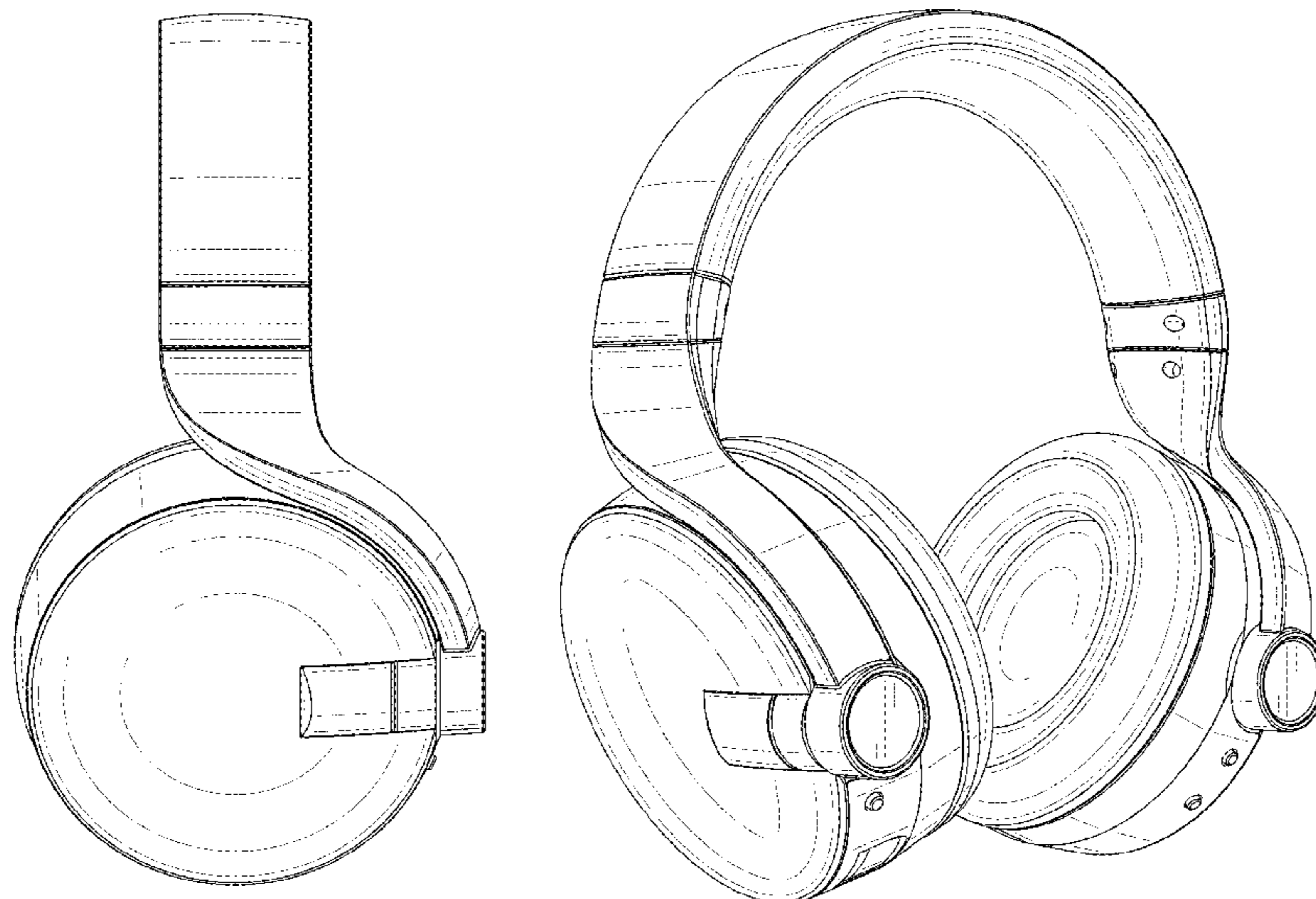
(57) **CLAIM**

The ornamental design for a headphone, as shown and described.

**DESCRIPTION**

FIG. 1 is a front view of a headphone showing my new design;  
 FIG. 2 is a rear view thereof;  
 FIG. 3 is a top view thereof;  
 FIG. 4 is a bottom view thereof;  
 FIG. 5 is a left-side view thereof;  
 FIG. 6 is a right-side view thereof; and,  
 FIG. 7 is a perspective view thereof, in which the interior front faces of headphone ear cups are the same as each other.

**1 Claim, 7 Drawing Sheets**



(56)

References Cited

U.S. PATENT DOCUMENTS

D597,070 S \* 7/2009 Zheng ..... D14/205  
7,580,539 B2 \* 8/2009 Tachikawa ..... H04R 1/1066  
381/374  
D600,738 S \* 9/2009 Su ..... D16/300  
D632,668 S \* 2/2011 Brunner ..... D14/205  
D648,318 S \* 11/2011 Huang ..... D14/206  
D690,738 S \* 10/2013 York ..... D14/188  
D691,109 S \* 10/2013 Hardi ..... D14/205  
D696,644 S \* 12/2013 Sejpka ..... D14/205  
D706,242 S \* 6/2014 Yang ..... H04R 1/1066  
D14/205  
D707,653 S \* 6/2014 Hardi ..... H04R 1/10  
D14/205  
D712,375 S \* 9/2014 Miyake ..... D14/205  
D727,289 S \* 4/2015 Czaniecki ..... D14/205  
D759,626 S \* 6/2016 Wagner ..... D14/205  
D763,821 S \* 8/2016 Leopardi ..... D14/205  
D769,841 S \* 10/2016 Sahlen ..... D14/205  
D771,012 S \* 11/2016 Wagner ..... D14/205  
D773,434 S \* 12/2016 Wu ..... D14/205  
2002/0021407 A1 \* 2/2002 Elliott ..... G02C 11/00  
351/158

\* cited by examiner



FIG. 1



FIG. 2

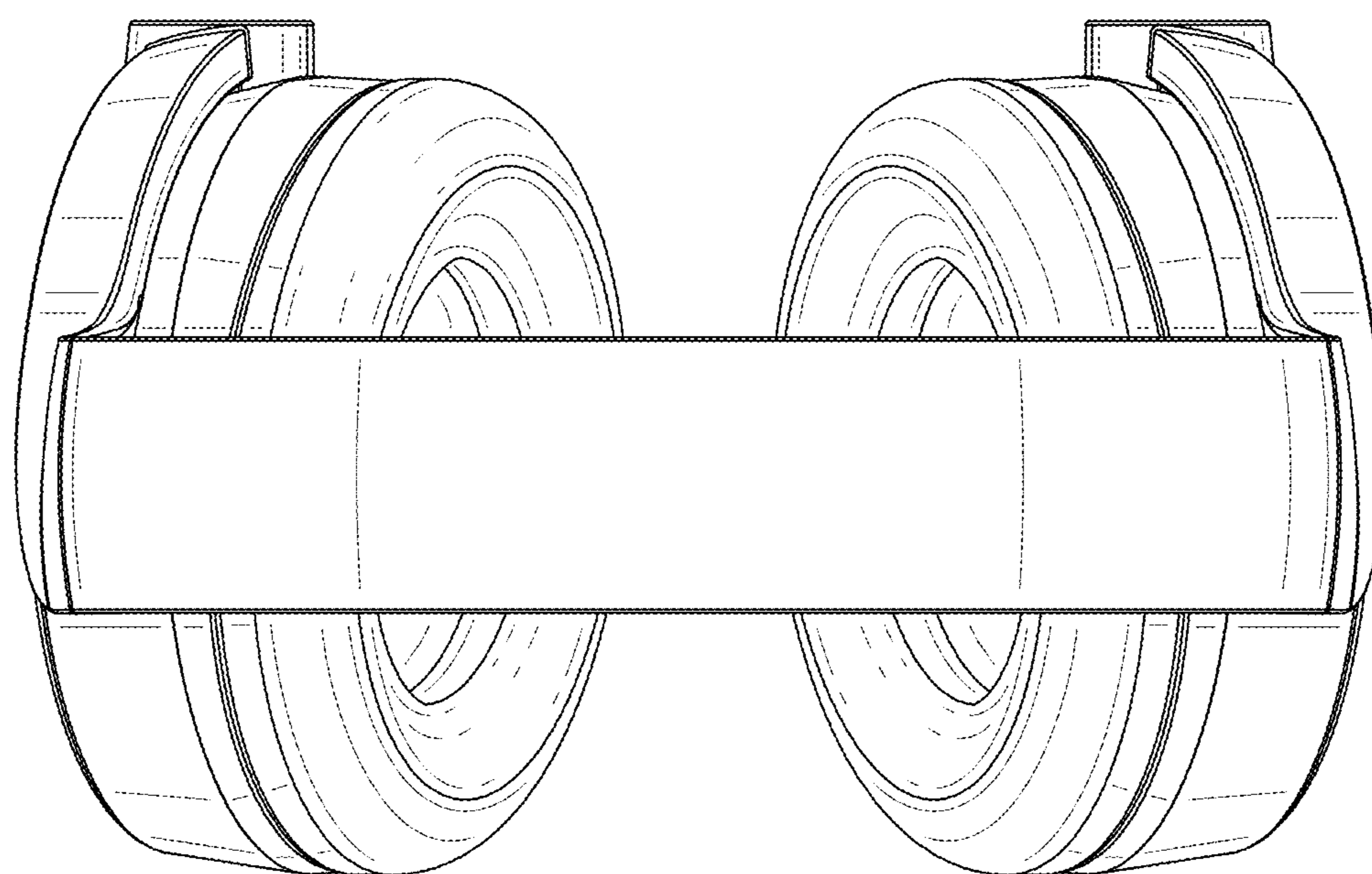


FIG. 3

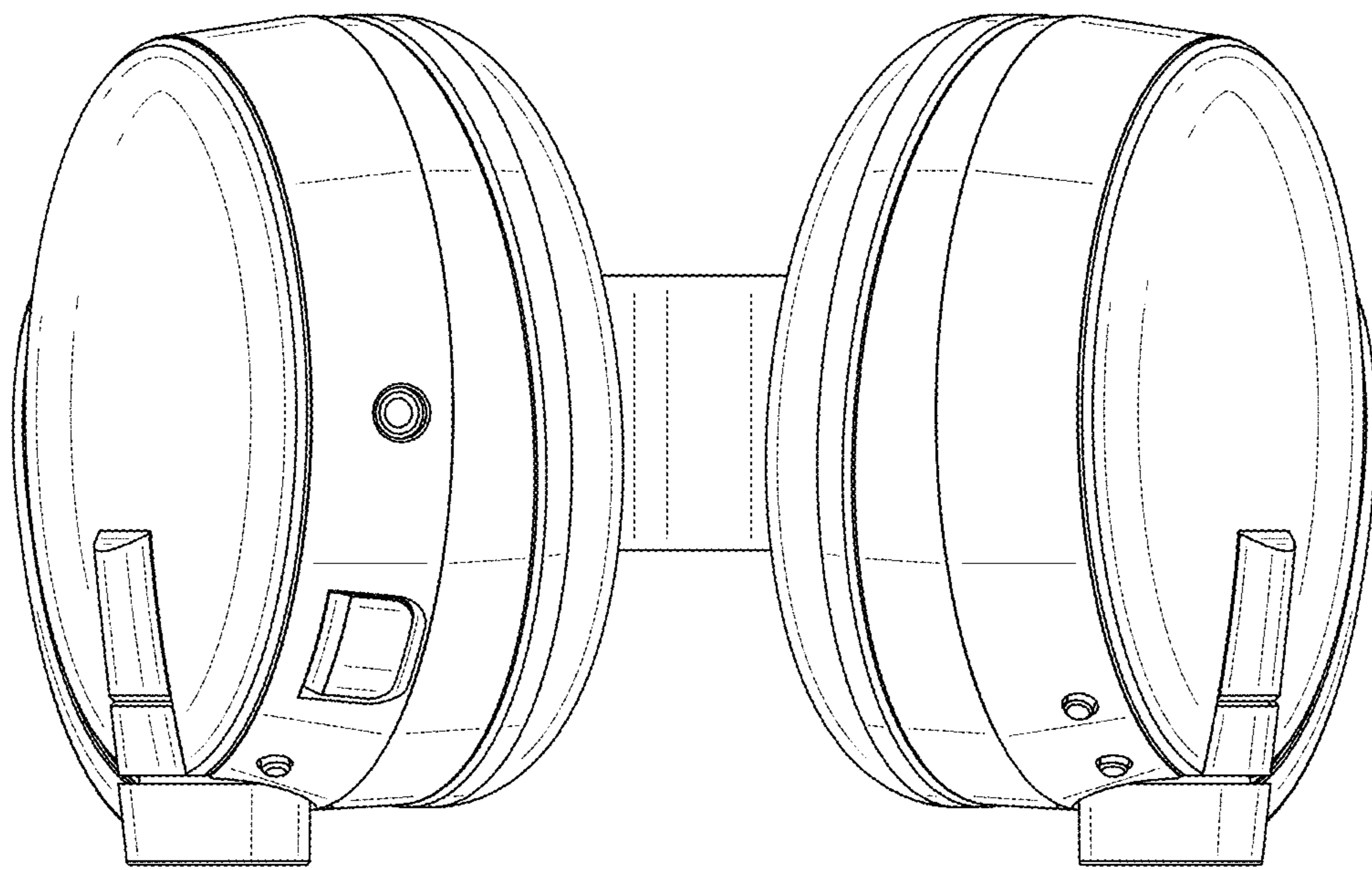


FIG. 4

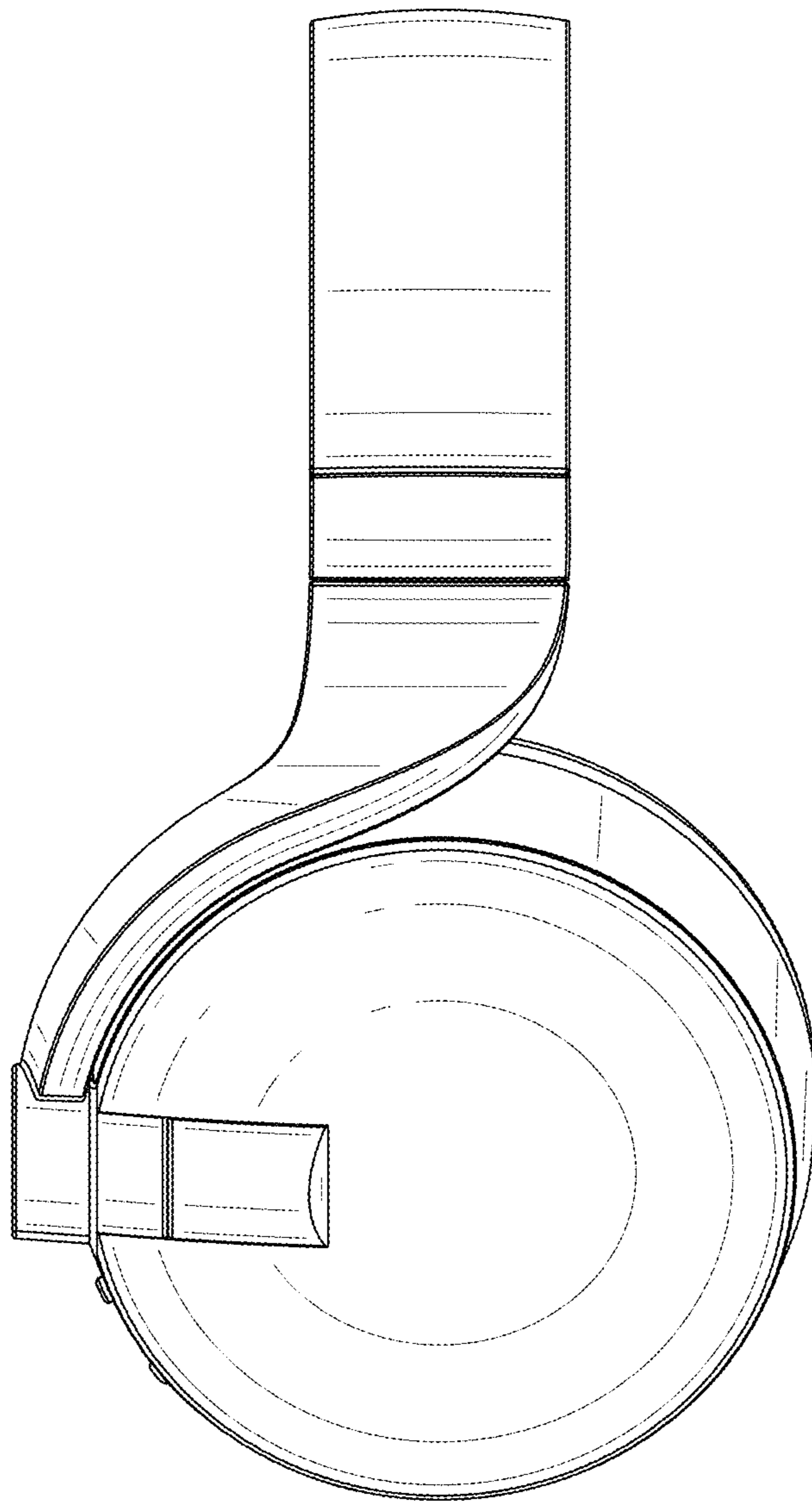


FIG. 5

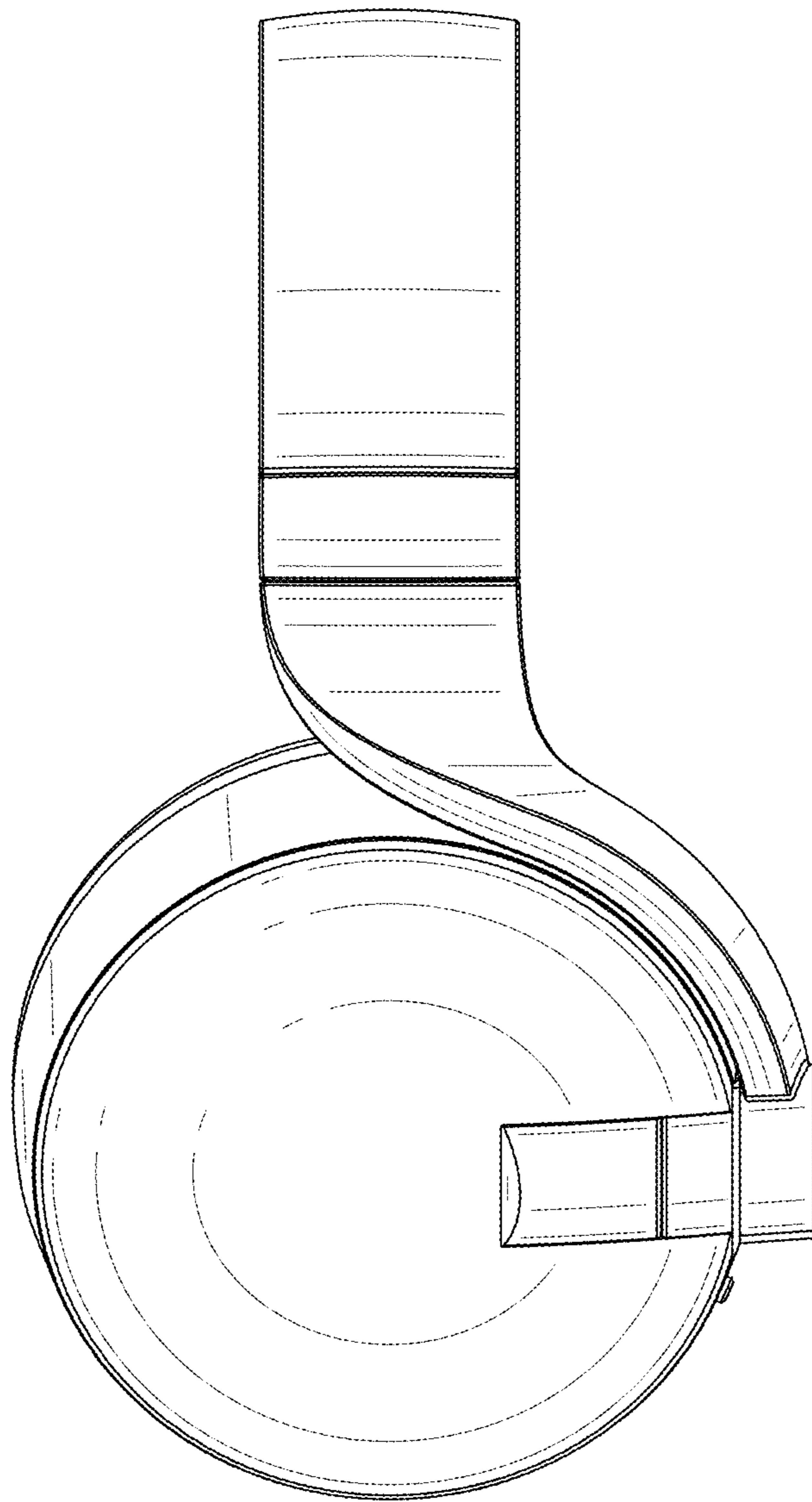


FIG. 6





FIG. 7