

US00D791101S

(12) **United States Design Patent**
Petersén

(10) **Patent No.:** **US D791,101 S**

(45) **Date of Patent:** **** Jul. 4, 2017**

- (54) **PART OF A HEADPHONE**
- (71) Applicant: **Zound Industries International AB**,
Stockholm (SE)
- (72) Inventor: **Erik Petersén**, Johanneshov (SE)
- (73) Assignee: **Zound Industries International AB**,
Stockholm (SE)
- (**) Term: **15 Years**
- (21) Appl. No.: **29/548,561**
- (22) Filed: **Dec. 15, 2015**

Related U.S. Application Data

- (63) Continuation of application No. 29/508,363, filed on
Nov. 5, 2014, now Pat. No. Des. 758,991.

(30) **Foreign Application Priority Data**

Jun. 2, 2014 (EM) 002475053-0001
 Jun. 2, 2014 (EM) 002475053-0002

- (51) **LOC (10) Cl.** **14-01**
- (52) **U.S. Cl.**
USPC **D14/205**

- (58) **Field of Classification Search**
USPC D14/205, 206; D29/112; 2/209;
181/129, 130.135; 379/430, 431;
381/379, 378, 370, 374, 376, 371, 192,
381/183; 24/170, 179, 191
CPC A44B 11/00; A41D 19/02; H04R 1/10;
H04R 25/00; H04R 1/1066; H04R
1/1016; H04R 5/0335; H04R 5/033
See application file for complete search history.

(56) **References Cited**

U.S. PATENT DOCUMENTS

1,263,605 A * 4/1918 Rust A44B 11/223
24/173
1,676,695 A * 7/1928 Jones A44C 5/2042
24/191

2,327,741 A * 8/1943 Poole A43C 11/1413
24/170
2,954,442 A * 9/1960 Mickenberg H04R 5/0335
2/209
3,608,158 A * 9/1971 Bengtsson A44B 11/12
24/170
D246,259 S * 11/1977 Nishimura D14/205
D270,634 S 9/1983 Ungar
D291,690 S 9/1987 Tabachnik
D299,337 S 1/1989 Wiegel
D299,454 S 1/1989 Kwong
D300,627 S 4/1989 Kwong
D302,140 S * 7/1989 Johnston 24/191
D305,541 S 1/1990 Hirose
5,005,527 A * 4/1991 Hatfield A01K 27/005
119/793
5,588,184 A * 12/1996 Chen A41F 9/007
24/170

(Continued)

Primary Examiner — Paula Greene

(74) *Attorney, Agent, or Firm* — Capitol City TechLaw

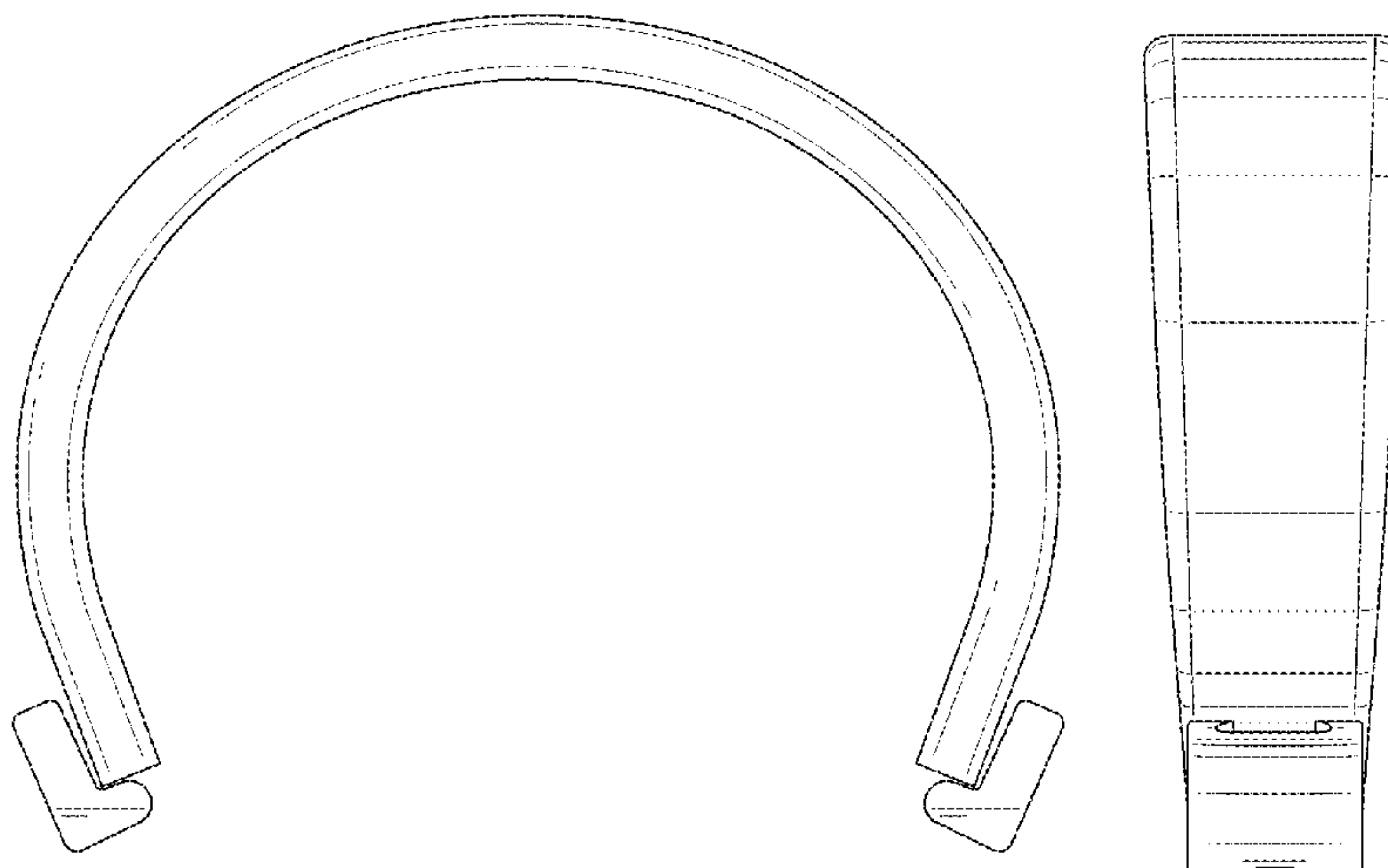
(57) **CLAIM**

The ornamental design for a part of a headphone, as shown
and described.

DESCRIPTION

FIG. 1 is a bottom view of a part of a headphone showing
my new design;
FIG. 2 is a front view thereof, the rear view being a mirror
image thereof;
FIG. 3 is a right side view thereof, the left side view being
a mirror image thereof;
FIG. 4 is a front, bottom, and right side perspective view
thereof; and,
FIG. 5 is a rear, bottom, and left side perspective view
thereof.

1 Claim, 5 Drawing Sheets



(56)

References Cited

U.S. PATENT DOCUMENTS

5,682,608	A *	11/1997	Landis	A61F 9/045 2/12
5,826,597	A *	10/1998	Chou	A45D 8/36 132/273
D409,114	S *	5/1999	Bortner	D11/216
5,979,466	A *	11/1999	Chung	A45D 8/36 132/273
5,987,647	A *	11/1999	Ouellette	A41D 23/00 132/273
D463,857	S *	10/2002	Dix	D24/106
6,584,984	B2 *	7/2003	Kelly	A45D 8/36 132/212
D517,527	S	3/2006	Suzuki	
D518,474	S	4/2006	Suzuki	
D519,497	S	4/2006	Komiyama	
D521,410	S *	5/2006	Nottingham	A01K 27/009 D11/216
D549,688	S *	8/2007	Suzuki	D14/205
D632,668	S	2/2011	Brunner et al.	
D663,286	S	7/2012	Morisawa	
D668,633	S	10/2012	Enquist	
D683,327	S	5/2013	Dougherty	
D683,329	S	5/2013	Hagelin	
D700,590	S	3/2014	Heath	
D733,090	S	6/2015	Petersen	
D758,991	S *	6/2016	Petersen	D14/205

* cited by examiner

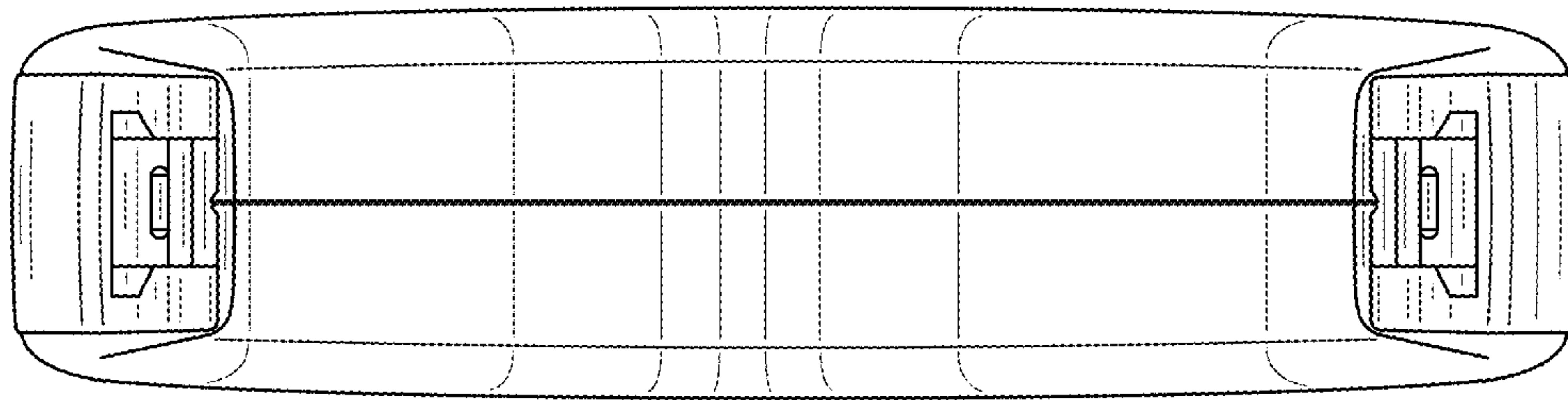


FIG. 1

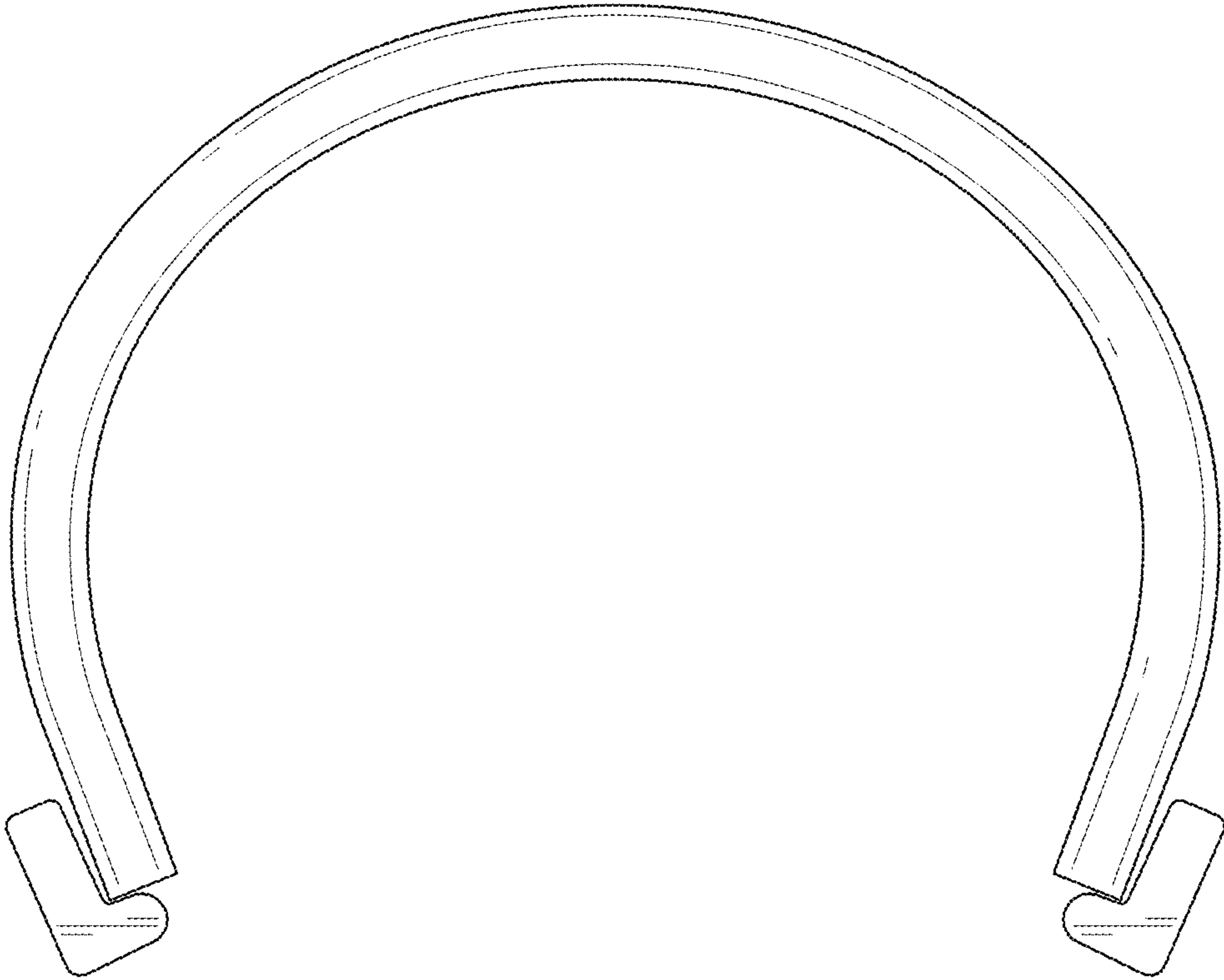


FIG. 2

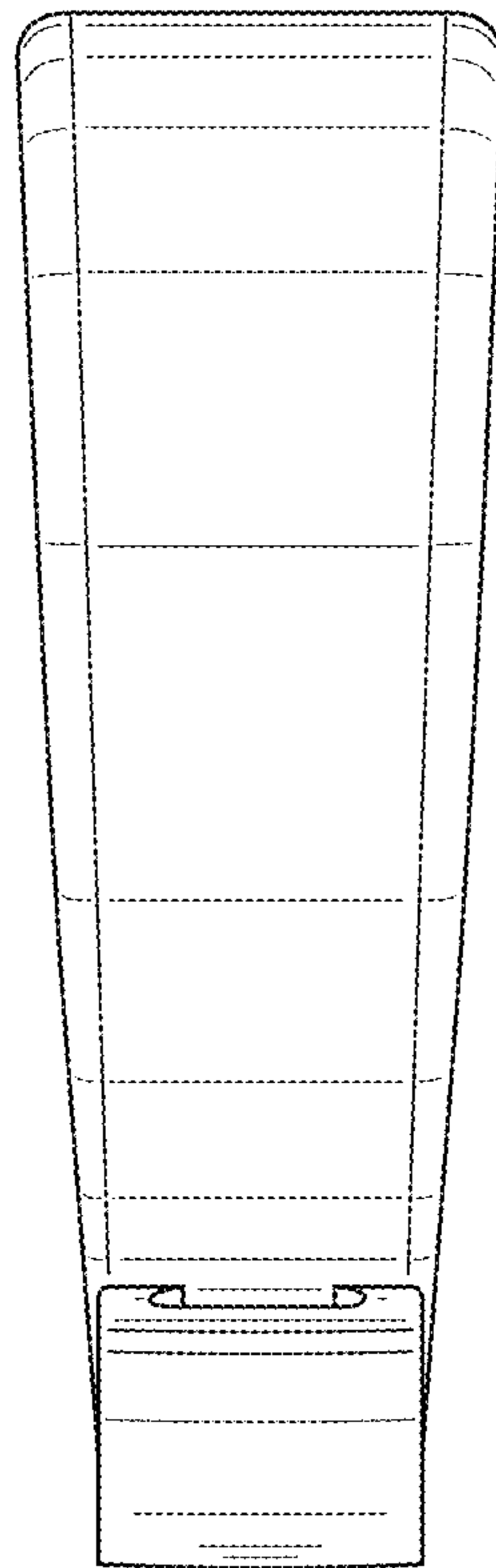


FIG. 3

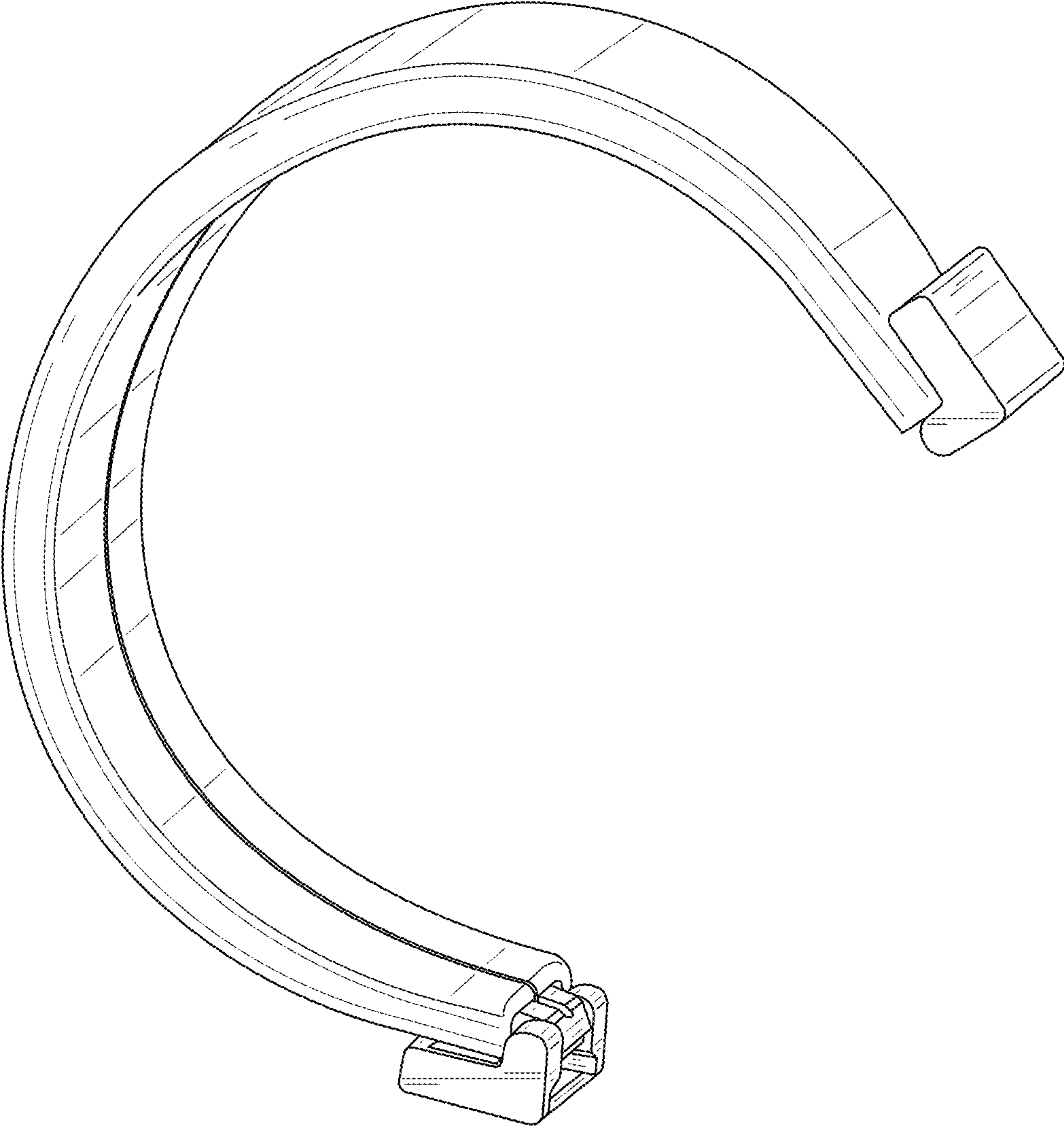


FIG. 4

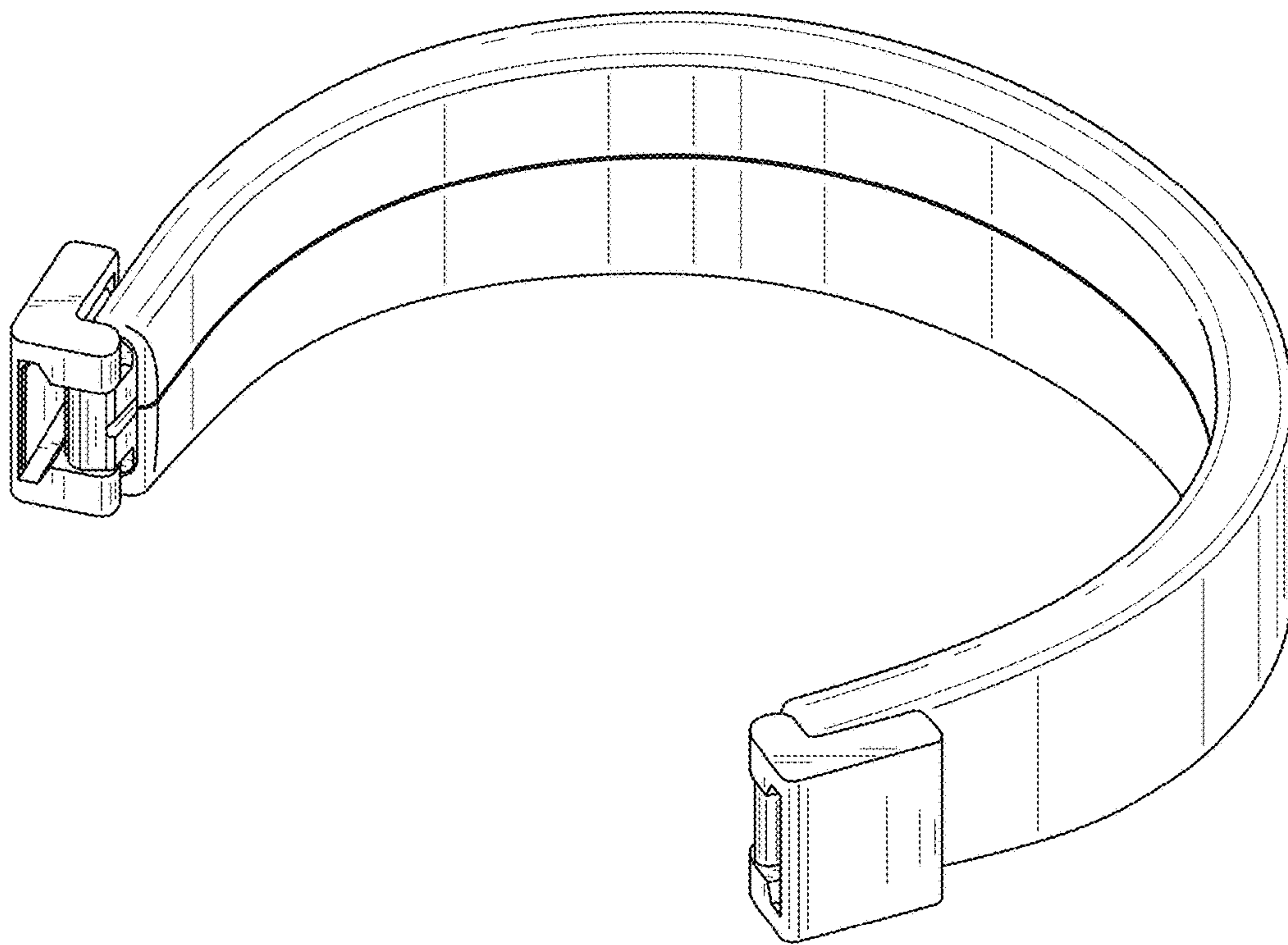


FIG. 5