



US00D791094S

(12) **United States Design Patent**
Han et al.

(10) **Patent No.:** **US D791,094 S**

(45) **Date of Patent:** **** Jul. 4, 2017**

(54) **TV RECEIVER**

CPC ... G06F 1/1601; G06F 1/1643; H05K 5/0004;
H05K 5/0017; H05K 5/02; H05K 5/0217

(71) Applicant: **LG ELECTRONICS INC.**, Seoul
(KR)

See application file for complete search history.

(72) Inventors: **Youngsoo Han**, Seoul (KR); **Jongho Kim**, Seoul (KR); **Sunha Park**, Seoul (KR); **Youngkyoung Kim**, Seoul (KR); **Nari Lee**, Seoul (KR)

(56) **References Cited**

U.S. PATENT DOCUMENTS

D292,045 S *	9/1987	McDowell	D6/300
D661,303 S *	6/2012	Fukusawa	D14/371
D716,244 S *	10/2014	Kim	D14/126
D716,776 S *	11/2014	Yoon	D14/239
D731,994 S *	6/2015	Won	D14/126
D735,153 S *	7/2015	Snyder	D14/126
D743,385 S *	11/2015	Ann	D14/239

(73) Assignee: **LG Electronics Inc.**, Seoul (KR)

(**) Term: **15 Years**

* cited by examiner

(21) Appl. No.: **29/551,478**

Primary Examiner — Randall Gholson

(22) Filed: **Jan. 13, 2016**

(74) *Attorney, Agent, or Firm* — Birch, Stewart, Kolasch & Birch, LLP

(30) **Foreign Application Priority Data**

Jul. 14, 2015 (KR) 30-2015-0035310

(51) **LOC (10) Cl.** **14-03**

(52) **U.S. Cl.**
USPC **D14/126**

(57) **CLAIM**

The ornamental design for a TV receiver, as shown and described.

(58) **Field of Classification Search**

USPC D14/125-134, 239, 371, 136, 374-377,
D14/440, 450, 448, 336, 342, 159;
312/7.2; 348/836, 838, 180, 184, 325,
348/739; 248/917-924, 465; 345/104,
345/133, 156, 168, 87, 173; D21/329,
D21/515, 577, 622, 333, 433, 448, 452,
D21/450, 331, 505; D10/15, 26;
446/484, 175, 356; D6/477, 479, 300;
D24/185; D34/14

DESCRIPTION

FIG. 1 is a front, right side, perspective view of a TV receiver showing our new design;
FIG. 2 is a front view thereof;
FIG. 3 is a rear view thereof;
FIG. 4 is a left side view thereof;
FIG. 5 is a right side view thereof;
FIG. 6 is a top view thereof; and,
FIG. 7 is a bottom view thereof.

1 Claim, 6 Drawing Sheets

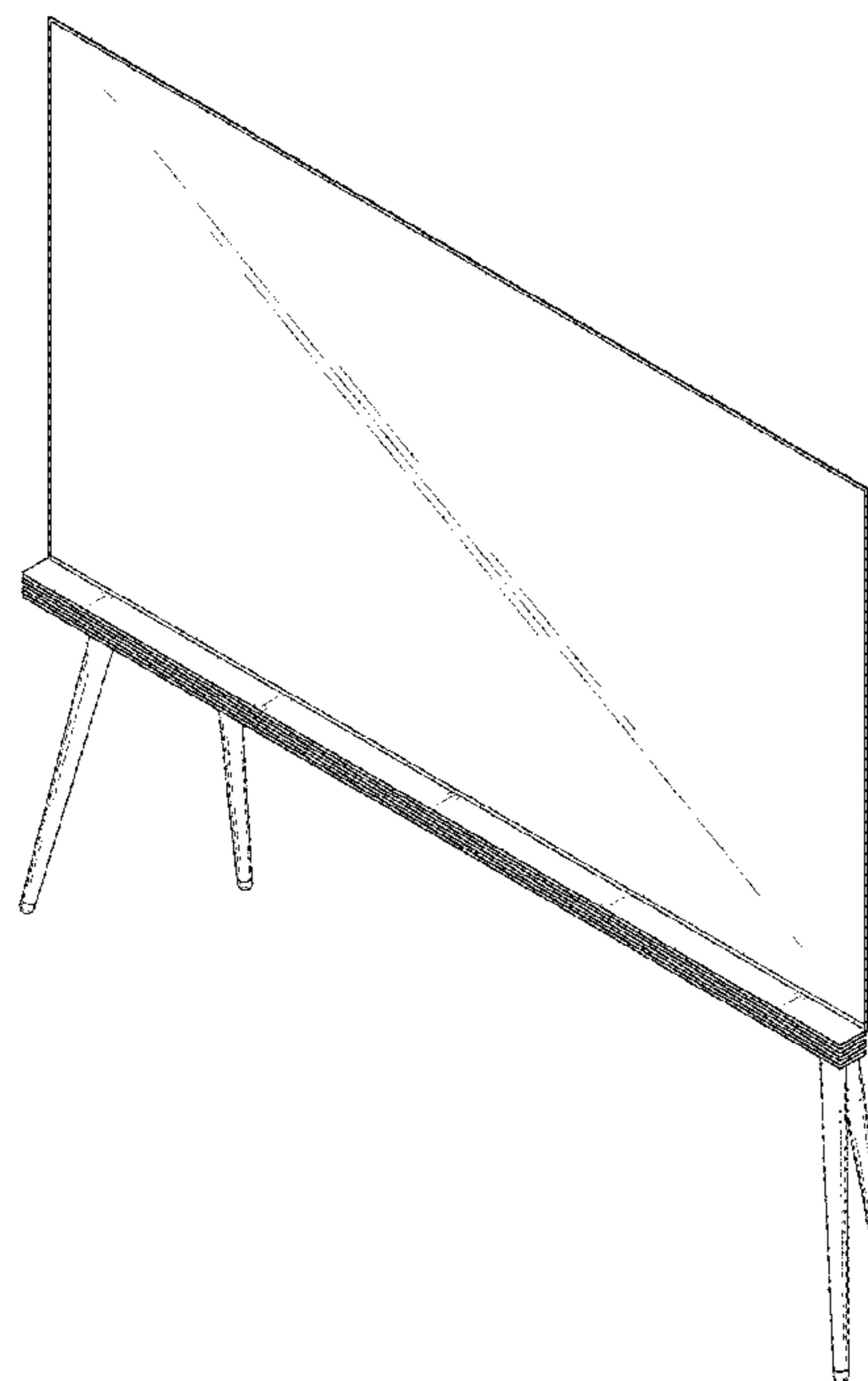


FIG. 1

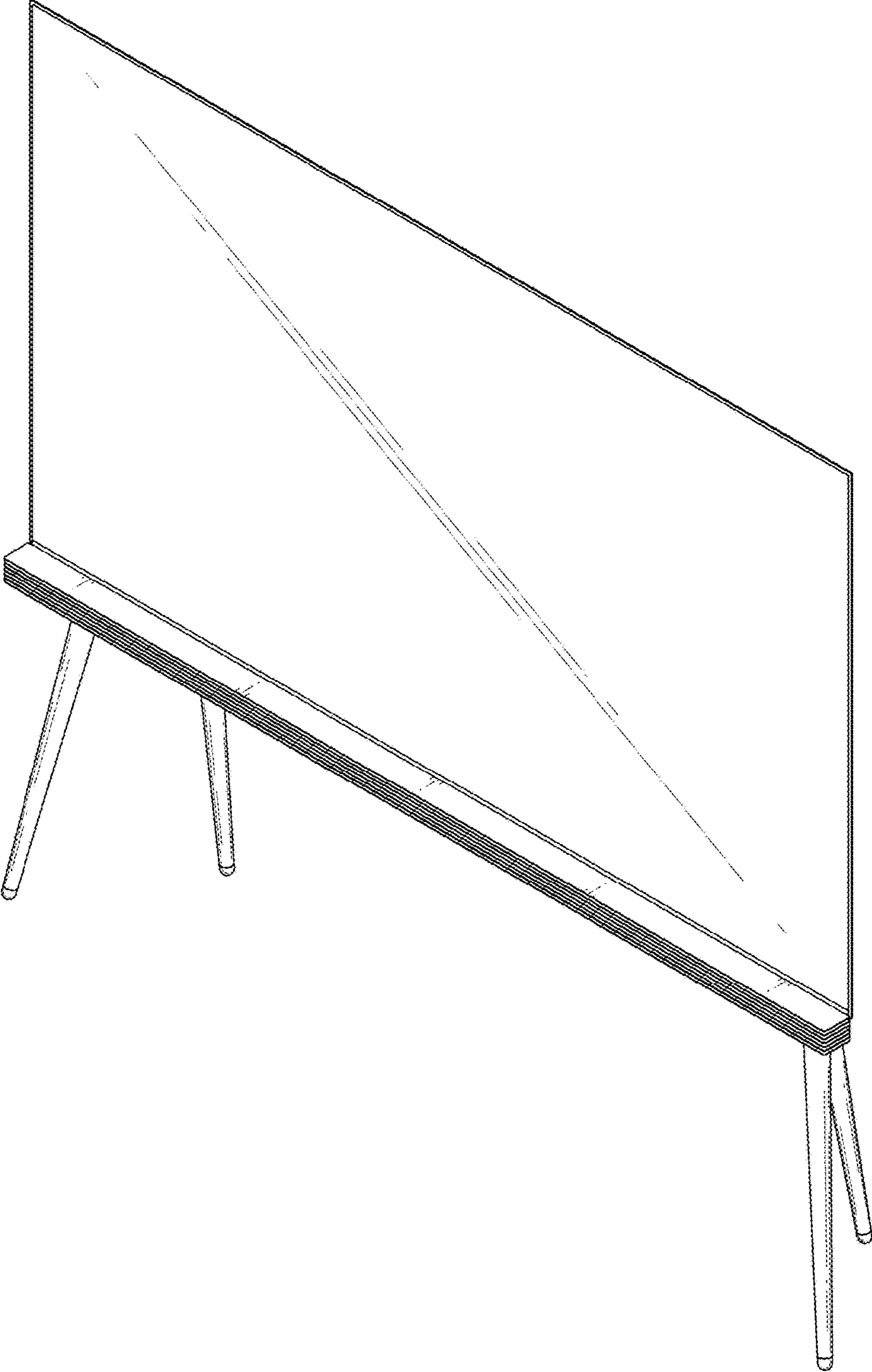


FIG. 2

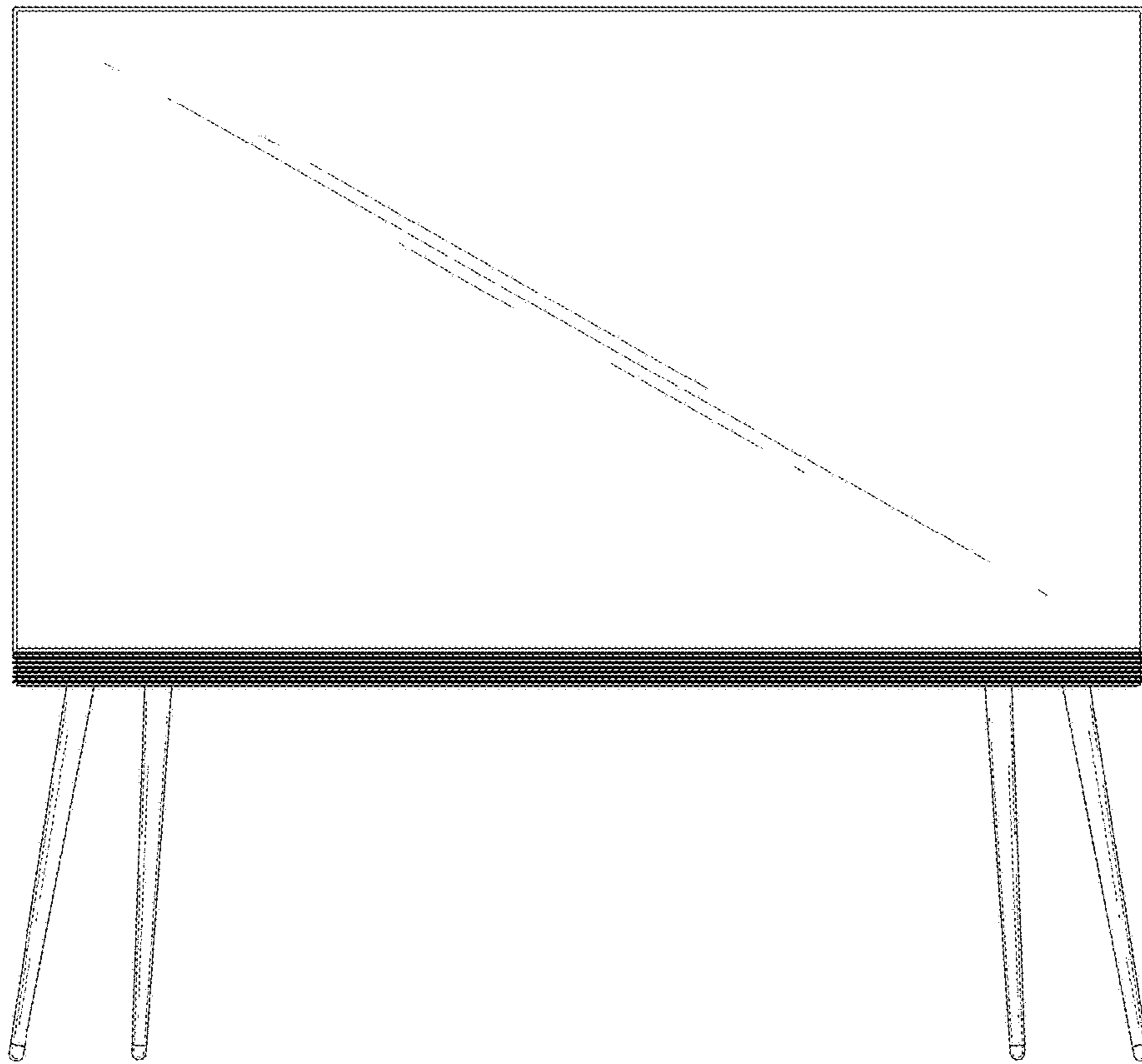


FIG. 3

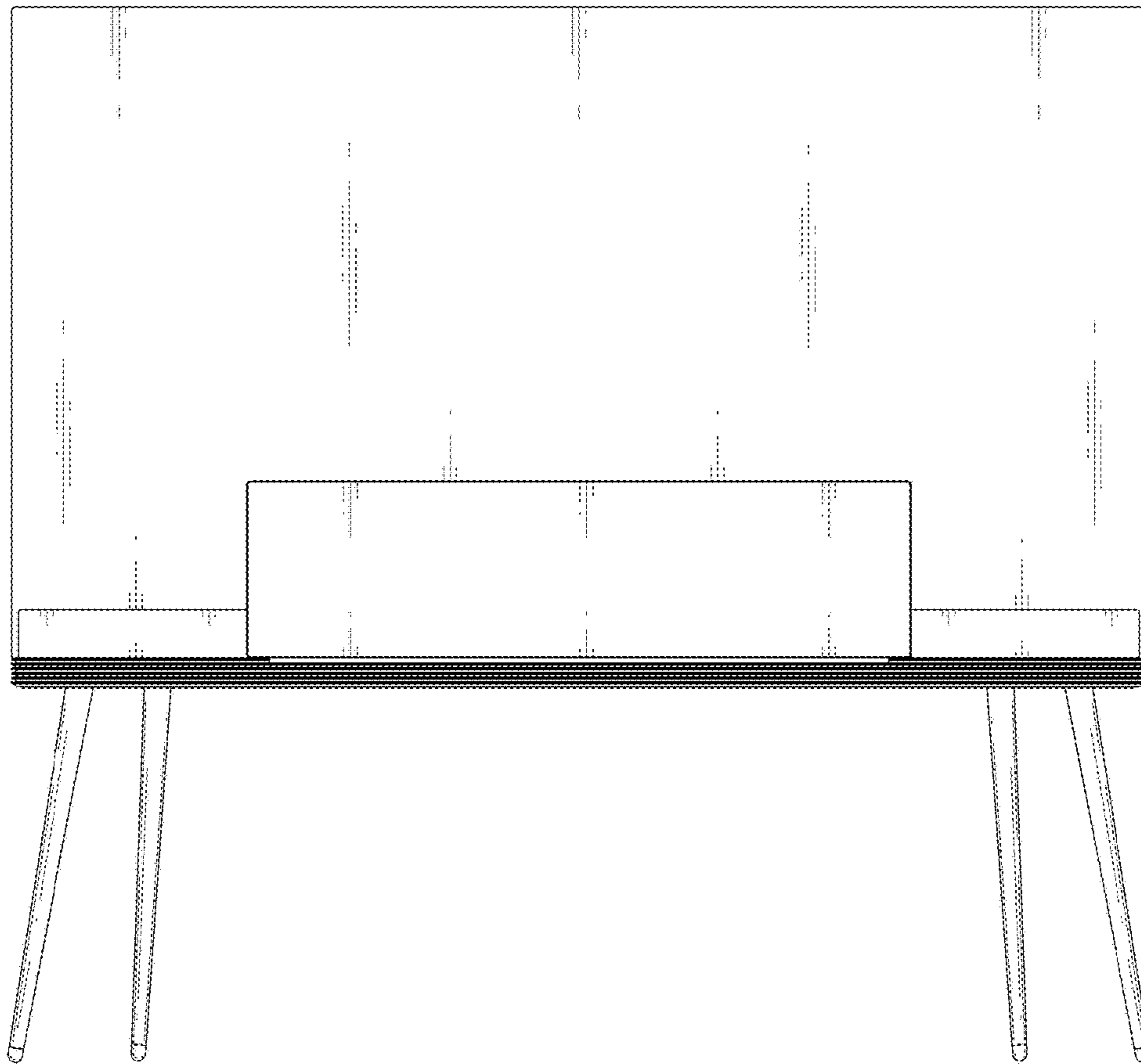


FIG. 4

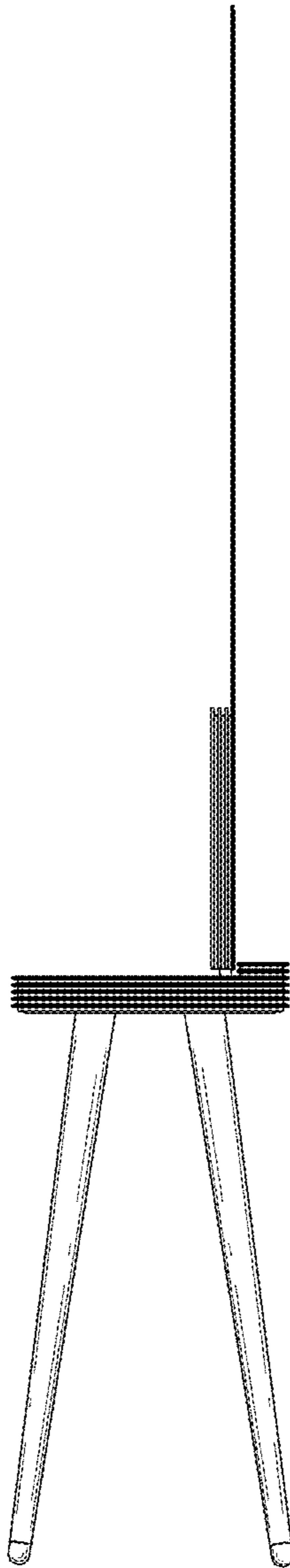


FIG. 5

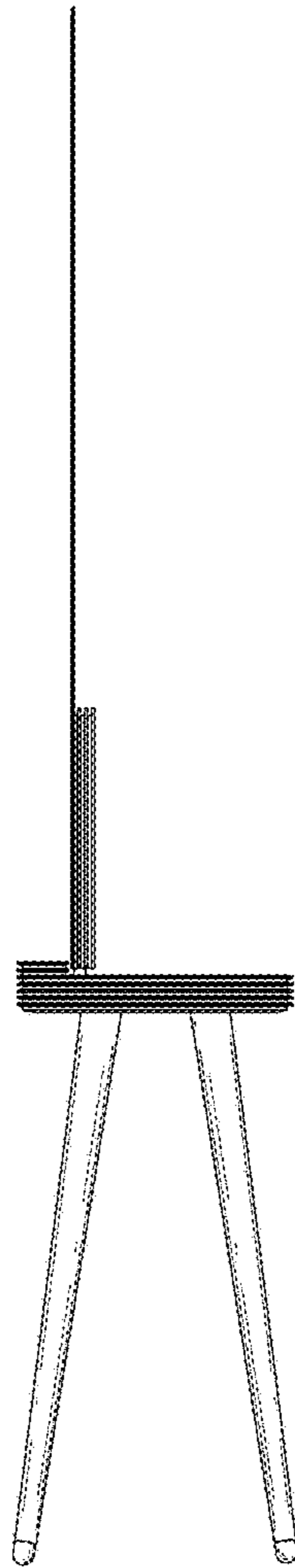


FIG. 6

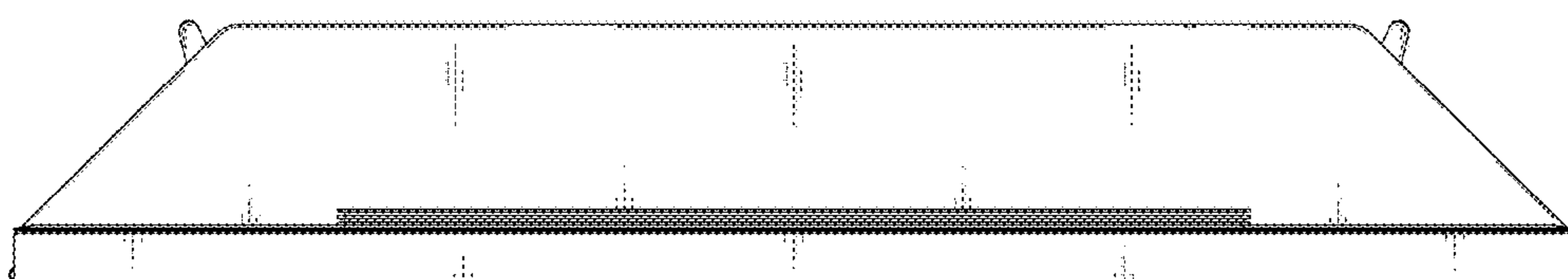


FIG. 7

