



US00D791093S

(12) **United States Design Patent** (10) **Patent No.:** **US D791,093 S**
Clegg et al. (45) **Date of Patent:** **** Jul. 4, 2017**

(54) **VIDEO SHELF EDGE**
(71) Applicant: **Americhip, Inc.**, Gardena, CA (US)
(72) Inventors: **Timothy P Clegg**, Chagrin Falls, OH (US); **Kai Bong Yu**, Gardena, CA (US)
(73) Assignee: **Americhip, Inc.**, Gardena, CA (US)
(*) Notice: This patent is subject to a terminal disclaimer.
(**) Term: **14 Years**

(21) Appl. No.: **29/521,104**
(22) Filed: **Mar. 19, 2015**
(51) **LOC (10) Cl.** **14-03**
(52) **U.S. Cl.**
USPC **D14/125**
(58) **Field of Classification Search**
USPC D16/200, 202-206, 218, 219, 242;
D10/106.2, 106.3, 106.5, 118.1; 348/143,
348/148, 151, 373-376; 396/419, 427,
396/535, 539-541; D14/125-134, 152
CPC G03B 17/02; G03B 19/04; G03B 17/56;
G03B 17/04; G03B 15/03; H04N 5/2251;
H04N 5/2252; H04N 5/2253; H04N
5/2254; H04N 7/181; H04N 7/183; H04N
7/18; G08B 13/1963; G08B 13/19619;
G08B 13/19632
See application file for complete search history.

(56) **References Cited**
U.S. PATENT DOCUMENTS
D505,402 S * 5/2005 Wong D14/125
D516,578 S * 3/2006 Matsuoka D14/160

D570,874 S * 6/2008 Niizawa D14/496
D570,875 S * 6/2008 Sheba D14/496
D571,823 S * 6/2008 Ledbetter D14/496
D572,266 S * 7/2008 Anderson D14/496
D578,138 S * 10/2008 Sheba D14/496
D578,140 S * 10/2008 Sheba D14/496
D581,429 S * 11/2008 Gilmore D14/496
D584,743 S * 1/2009 Sheba D14/496

* cited by examiner
Primary Examiner — Randall Gholson
(74) *Attorney, Agent, or Firm* — Francis D. Logan, Jr.

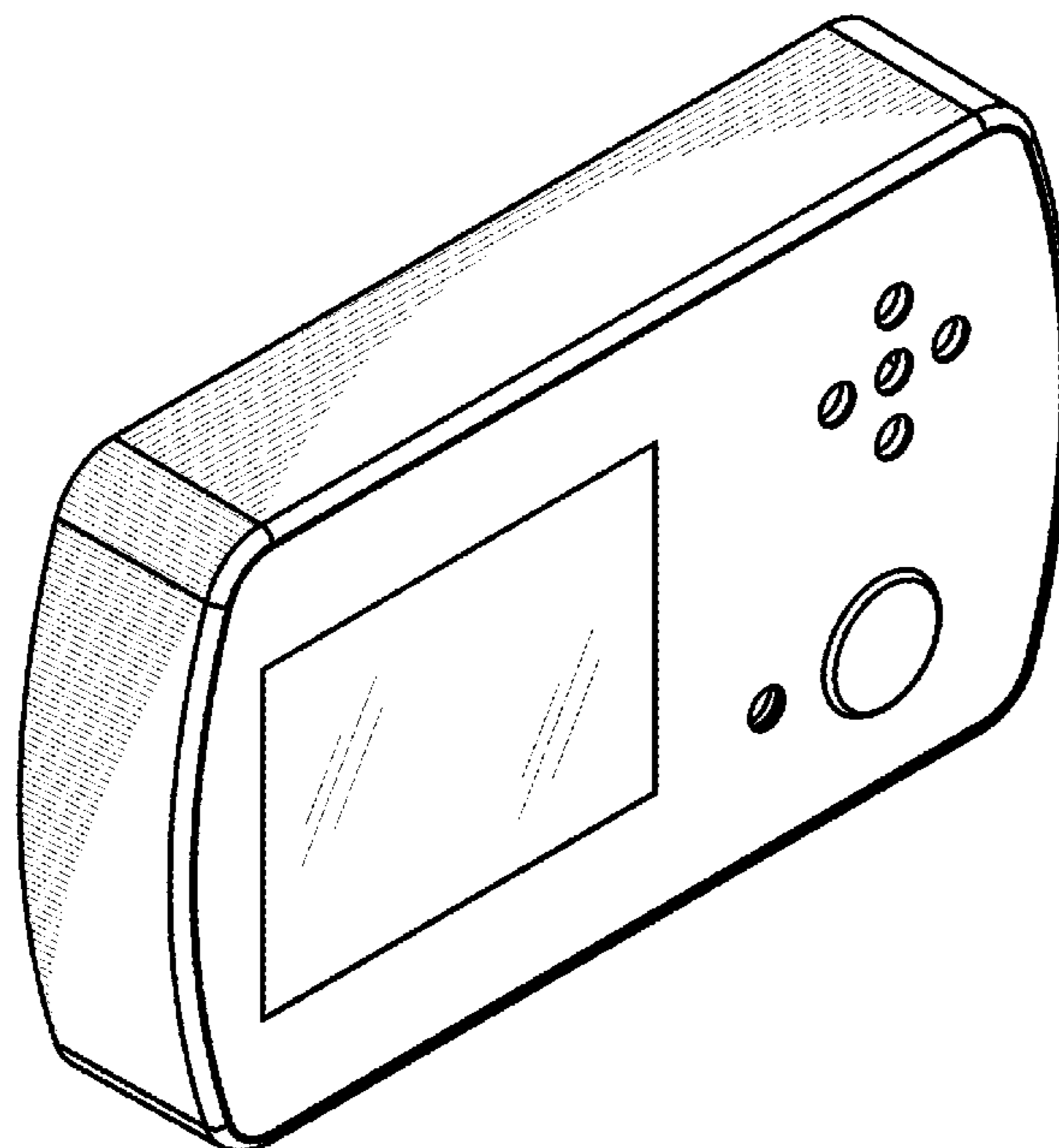
(57) **CLAIM**

The ornamental design for a video shelf edge, as shown and described.

DESCRIPTION

FIG. 1 is a perspective view of the front, top and right side of the present invention showing our new design.
FIG. 2 is a front elevational view of the present invention.
FIG. 3 is a rear elevational view of the present invention.
FIG. 4 is a top plan view of the present invention.
FIG. 5 is a bottom plan view of the present invention.
FIG. 6 is a right side elevational view of the present invention; and,
FIG. 7 is a left side elevational view of the present invention.
The shading shown in the drawings are for illustrative purposes only and form no part of the claimed design.
Any broken line illustration of the environmental structure in the drawings is not part of the design sought to be patented.

1 Claim, 3 Drawing Sheets



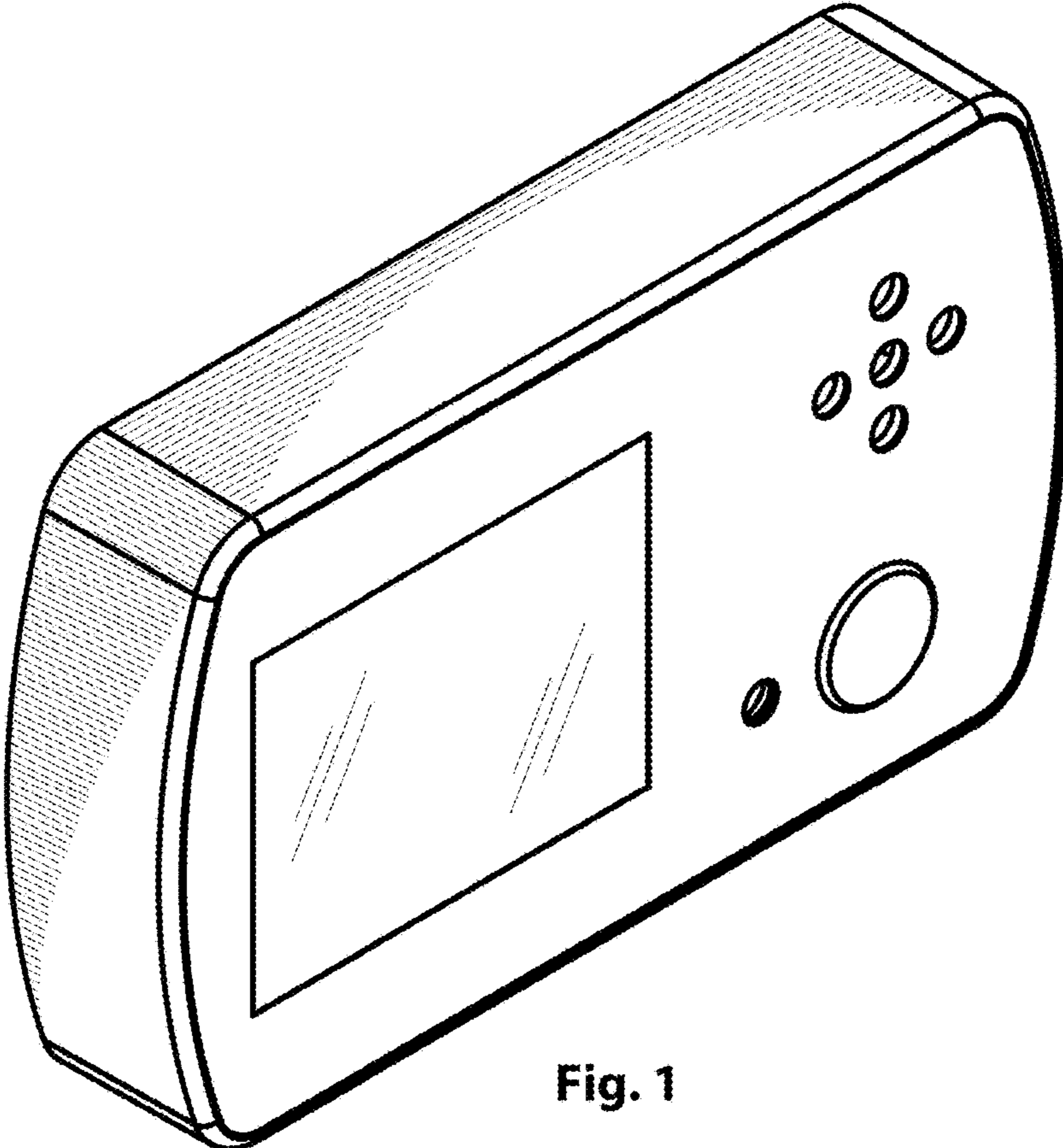


Fig. 1

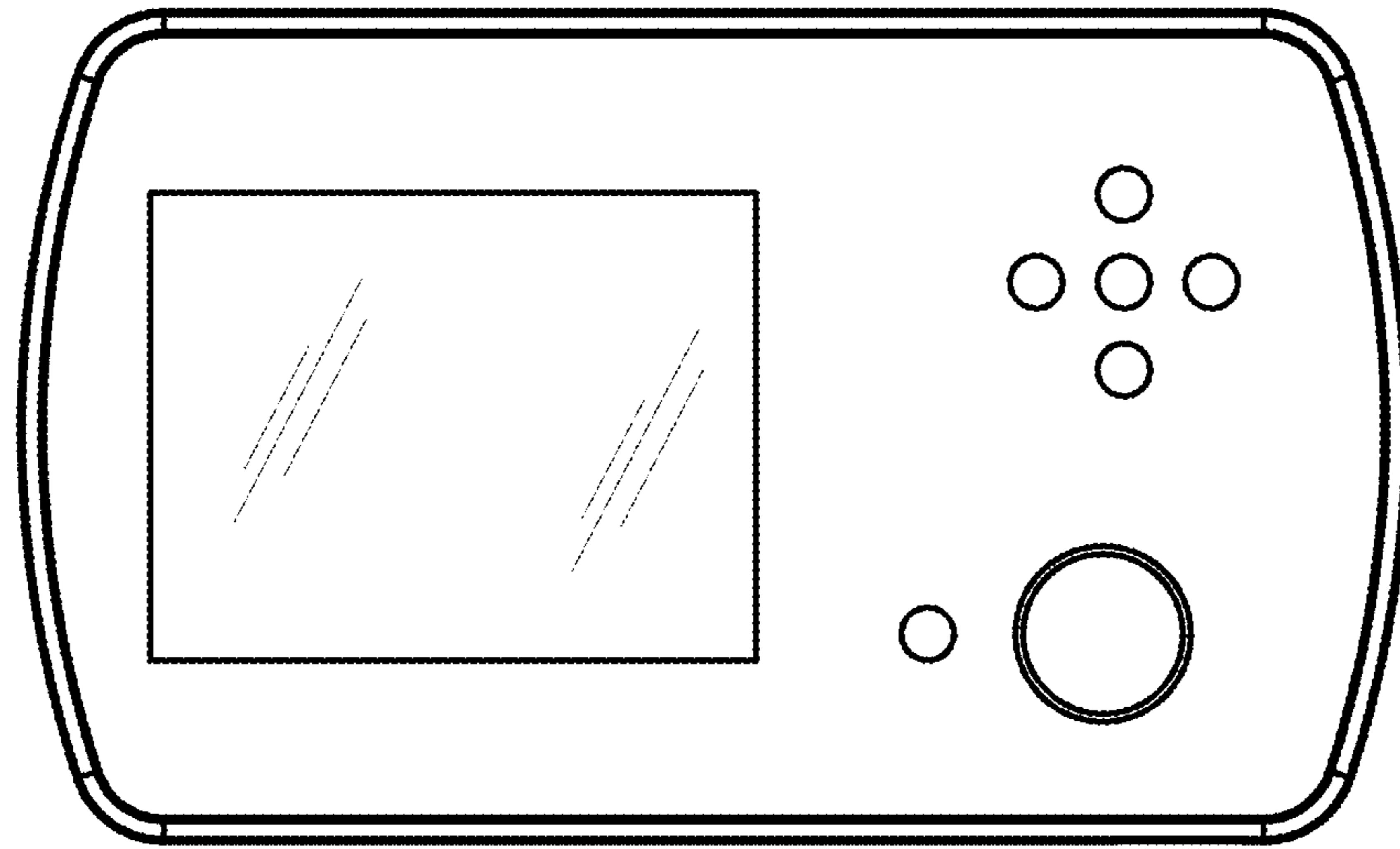


Fig. 2

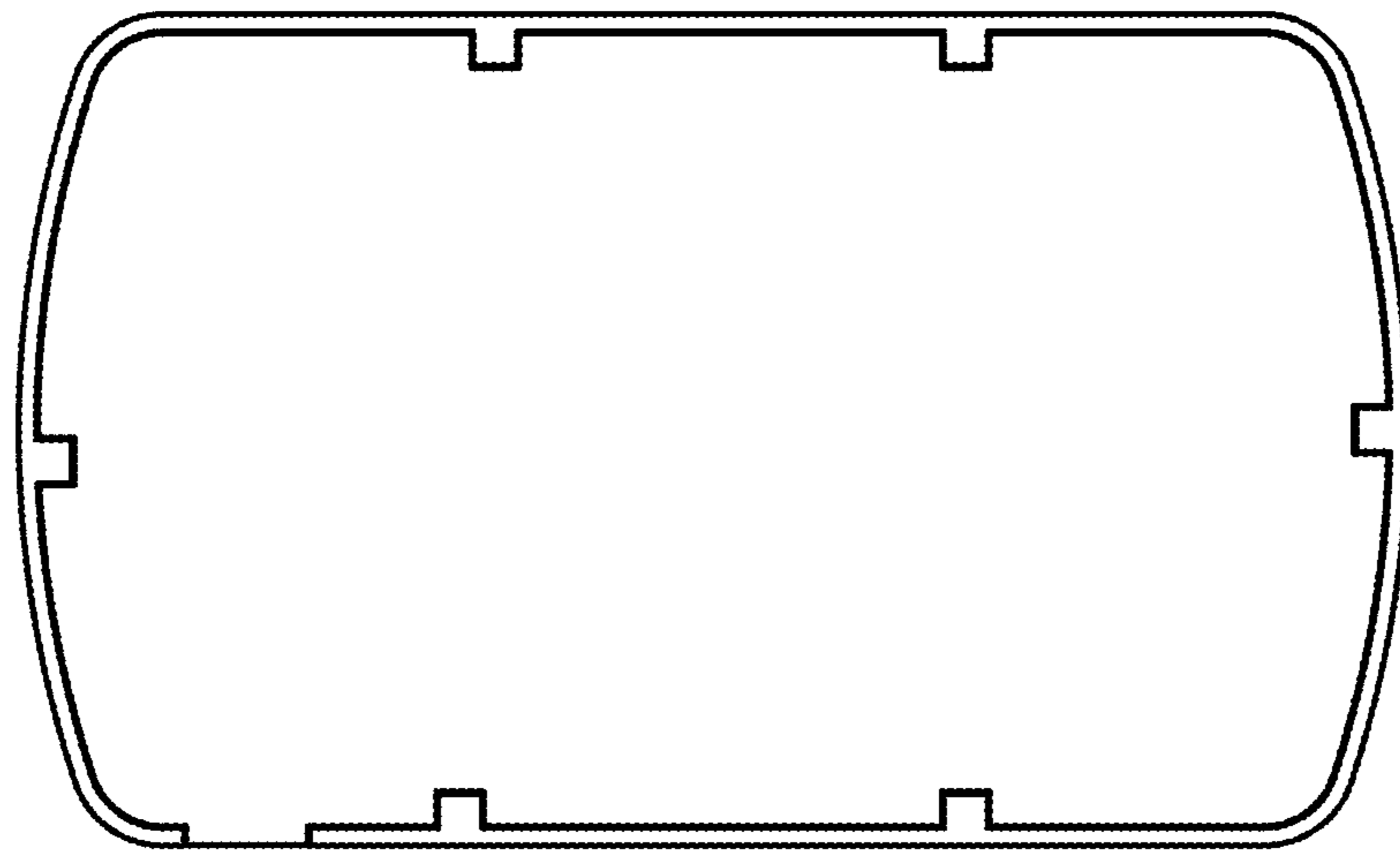


Fig. 3

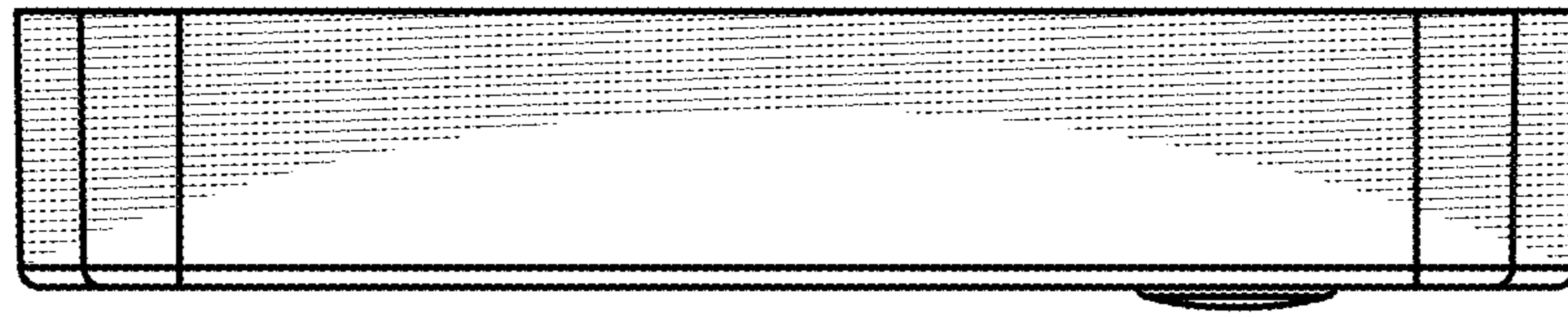


Fig. 4

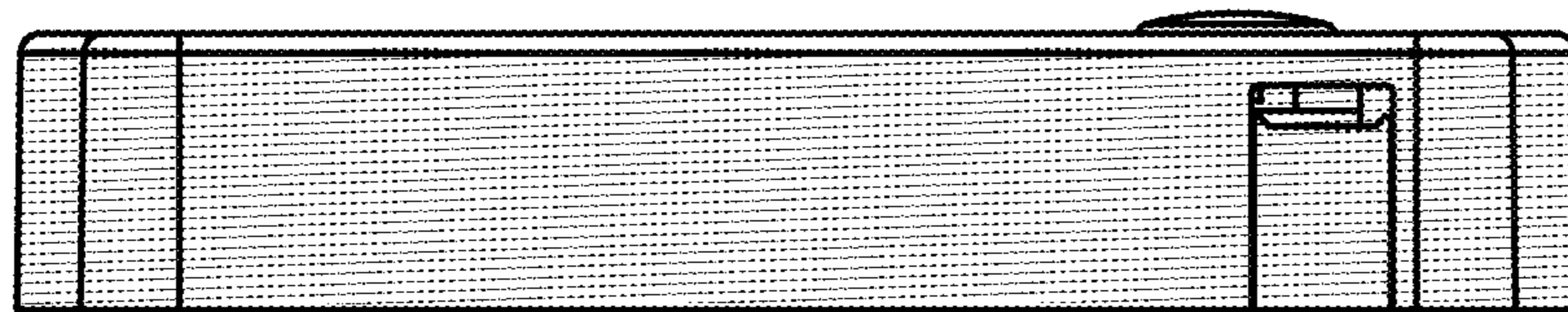


Fig. 5

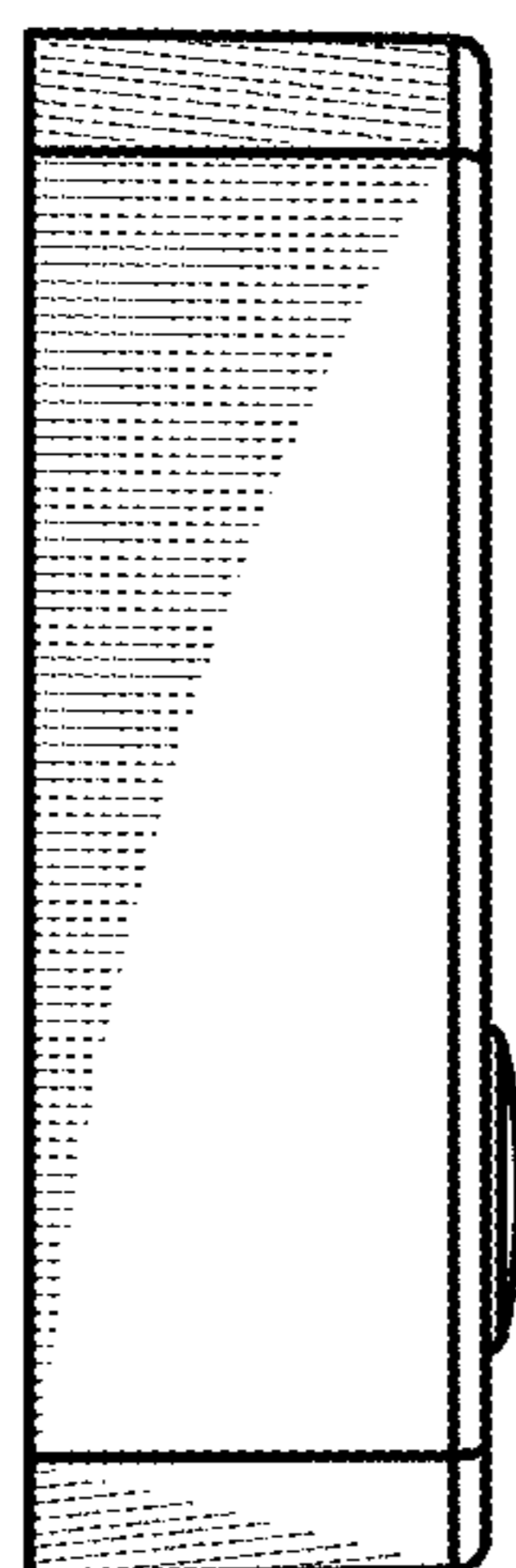


Fig. 6

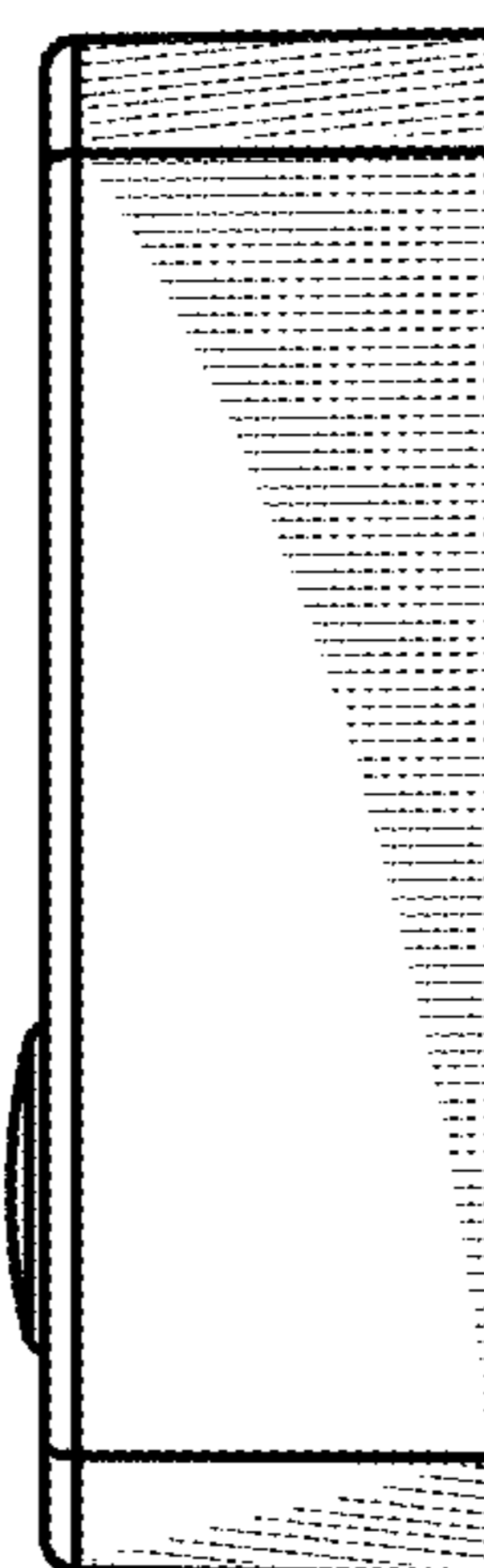


Fig. 7