



US00D791089S

(12) **United States Design Patent**  
**Goto et al.**

(10) **Patent No.:** **US D791,089 S**  
(45) **Date of Patent:** **\*\* Jul. 4, 2017**

(54) **LIGHT-EMITTING DIODE**

(71) Applicants: **CITIZEN ELECTRONICS CO., LTD.**, Yamanashi-ken (JP); **CITIZEN WATCH CO., LTD.**, Tokyo (JP)

(72) Inventors: **Satoshi Goto**, Yamanashi-ken (JP); **Tatsuro Yamada**, Yamanashi-ken (JP)

(73) Assignees: **CITIZEN ELECTRONICS CO., LTD.**, Yamanashi-Ken (JP); **CITIZEN WATCH CO., LTD.**, Tokyo (JP)

(\*\*) Term: **15 Years**

(21) Appl. No.: **29/561,827**

(22) Filed: **Apr. 20, 2016**

(30) **Foreign Application Priority Data**

Oct. 23, 2015 (JP) ..... D2015-023531  
Oct. 23, 2015 (JP) ..... D2015-023543

(51) **LOC (10) Cl.** ..... **13-03**

(52) **U.S. Cl.**  
USPC ..... **D13/180**

(58) **Field of Classification Search**  
USPC ..... D13/180; D26/1  
CPC ... H01L 25/167; H01L 25/0753; H01L 27/15;  
H01L 27/156; H01L 31/02; H01L 33/00;  
H01L 33/04; H01L 33/08; H01L 33/10;  
(Continued)

(56) **References Cited**

**U.S. PATENT DOCUMENTS**

D618,635 S \* 6/2010 Imai ..... D13/180  
D658,603 S \* 5/2012 Egawa ..... D13/180  
(Continued)

**FOREIGN PATENT DOCUMENTS**

EP 002551812-0001 10/2014  
EP 002551812-0002 10/2014  
(Continued)

**OTHER PUBLICATIONS**

Design U.S. Appl. No. 29/504,427, filed Oct. 6, 2014.  
Design U.S. Appl. No. 29/504,423, filed Oct. 6, 2014.

*Primary Examiner* — Selina Sikder

(74) *Attorney, Agent, or Firm* — Wenderoth, Lind & Ponack, L.L.P.

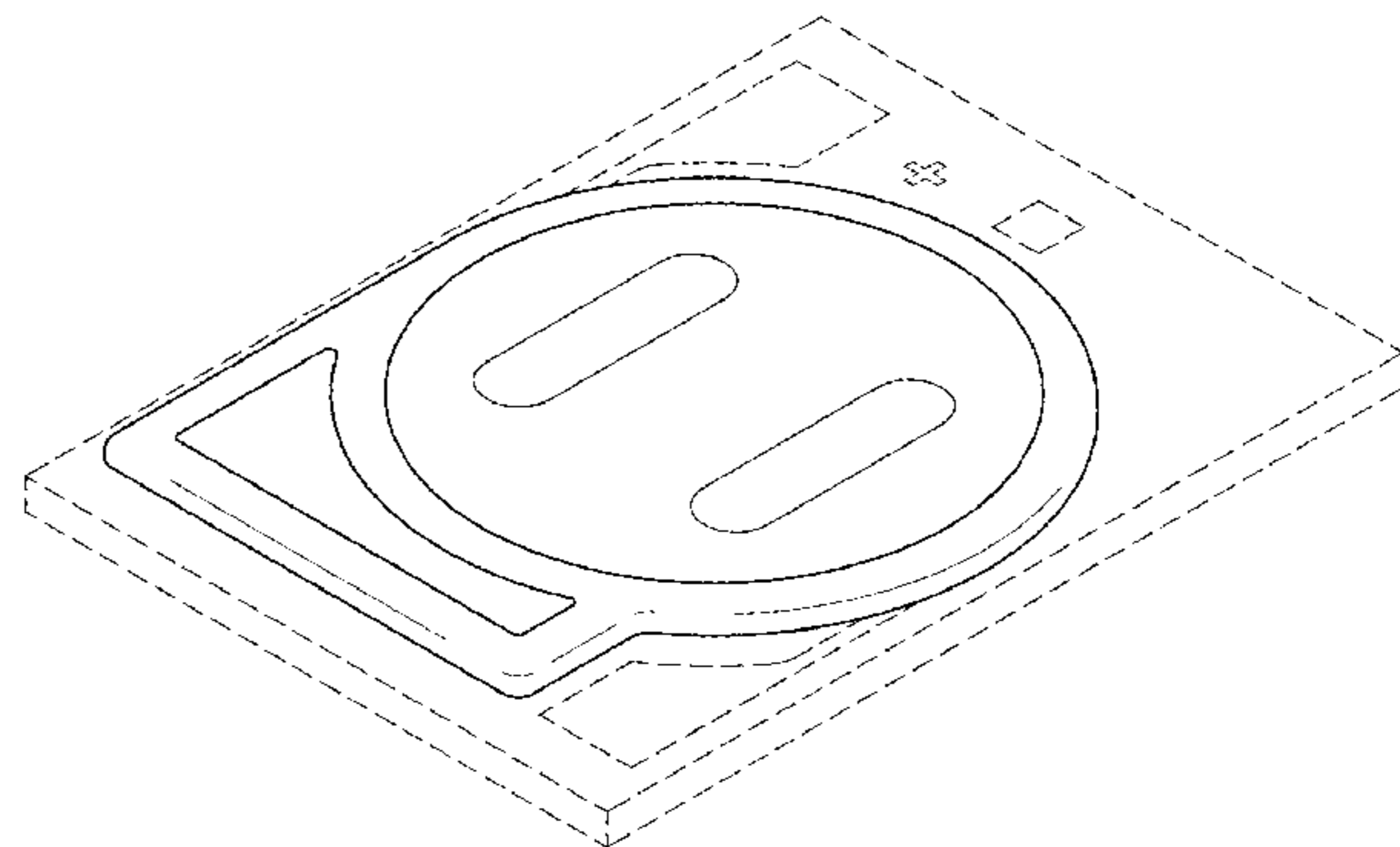
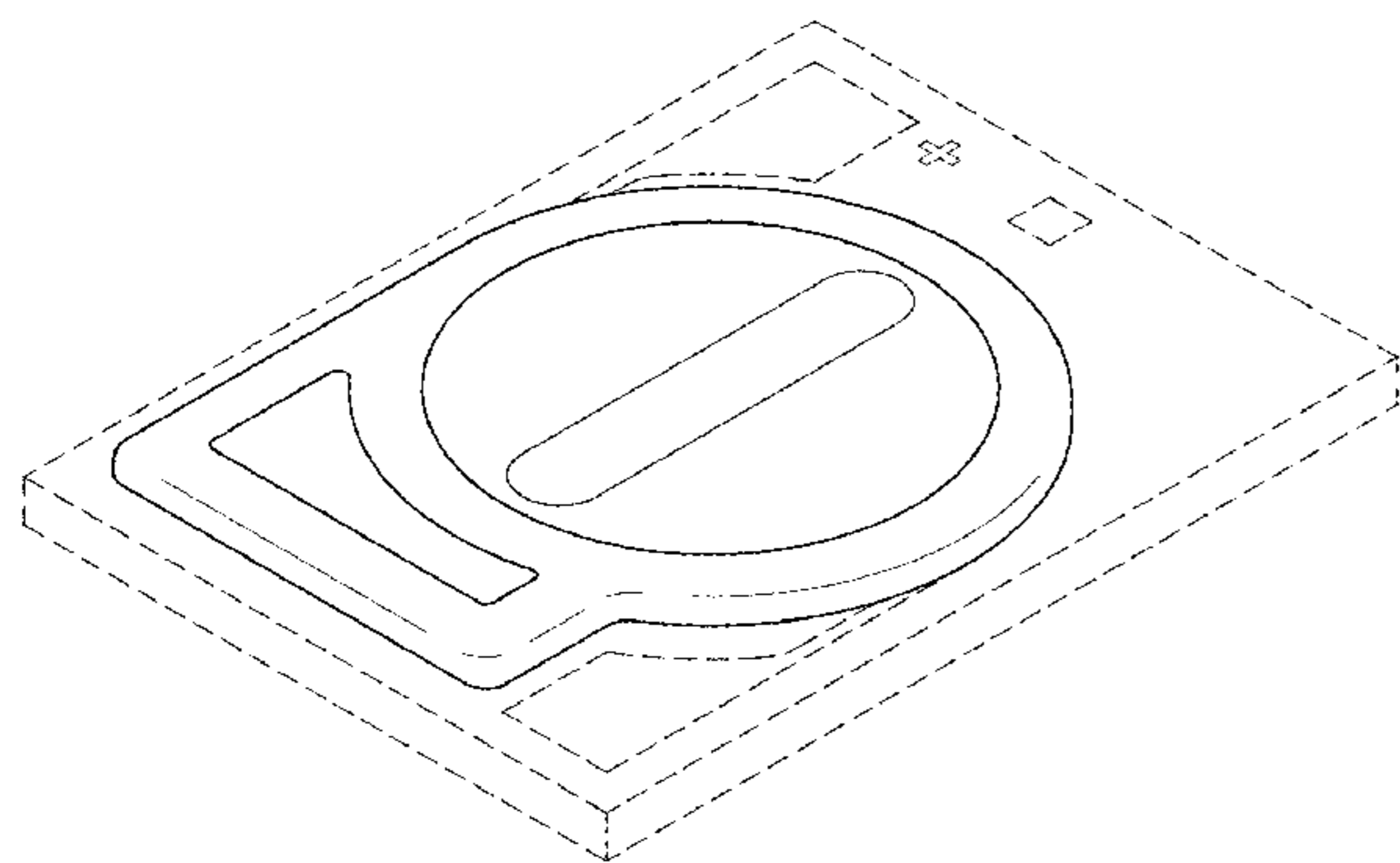
(57) **CLAIM**

The ornamental design for a light-emitting diode, as shown and described.

**DESCRIPTION**

FIG. 1 is a top perspective view of a first embodiment of a light-emitting diode showing an upper surface with front and left side surfaces;  
FIG. 2 is a bottom perspective view thereof showing a bottom surface with rear and right side surfaces;  
FIG. 3 is a front view thereof, a rear view being a mirror image of FIG. 3;  
FIG. 4 is a top plan view thereof;  
FIG. 5 is a bottom plan view thereof;  
FIG. 6 is a left side view thereof;  
FIG. 7 is a right side view thereof;  
FIG. 8 is a top perspective view of a second embodiment of a light-emitting diode showing an upper surface with front and left side surfaces;  
FIG. 9 is a bottom perspective view thereof showing a bottom surface with rear and right side surfaces;  
FIG. 10 is a front view thereof, a rear view being a mirror image of FIG. 10;  
FIG. 11 is a top plan view thereof;  
FIG. 12 is a bottom plan view thereof;  
FIG. 13 is a left side view thereof; and,  
FIG. 14 is a right side view thereof.  
The broken lines shown herein are for illustrative purposes only and form no part of the claimed design.

**1 Claim, 6 Drawing Sheets**



(58) **Field of Classification Search**  
 CPC ..... H01L 33/20; H01L 33/38; H01L 33/42;  
 H01L 33/4862; H01L 33/483; H01L  
 33/486  
 See application file for complete search history.

2011/0180817 A1\* 7/2011 Ishizaki ..... F21V 3/00  
 257/88  
 2011/0278605 A1\* 11/2011 Agatani ..... H01L 25/0753  
 257/89  
 2013/0193462 A1\* 8/2013 Ishizaki ..... F21V 3/00  
 257/88  
 2014/0268783 A1\* 9/2014 Agatani ..... H01L 25/0753  
 362/249.06

(56) **References Cited**

U.S. PATENT DOCUMENTS

D669,041 S \* 10/2012 Imai ..... D13/180  
 D683,708 S \* 6/2013 Sasano ..... D13/180  
 8,735,914 B2 \* 5/2014 Agatani ..... H01L 25/0753  
 257/88  
 D706,231 S \* 6/2014 Hussell ..... D13/180  
 D712,850 S \* 9/2014 Welch ..... D13/180  
 D714,236 S 9/2014 Watanabe et al.  
 D727,860 S 4/2015 Watanabe et al.  
 D762,182 S \* 7/2016 Akiyama ..... D13/180  
 D766,196 S \* 9/2016 Akiyama ..... D13/180  
 9,490,235 B2 \* 11/2016 Edmond ..... H01L 25/0753  
 9,508,910 B2 \* 11/2016 Akiyama ..... H05B 33/089  
 9,577,153 B2 \* 2/2017 Agatani ..... H01L 33/62  
 2008/0231169 A1 \* 9/2008 Hata ..... H01B 1/10  
 313/500  
 2010/0320483 A1 \* 12/2010 Kadotani ..... F21K 9/00  
 257/88  
 2011/0050071 A1 \* 3/2011 Chung ..... F21K 9/00  
 313/46

FOREIGN PATENT DOCUMENTS

EP 002551812-0003 10/2014  
 EP 002551812-0004 10/2014  
 EP 002551812-0005 10/2014  
 EP 002551812-0006 10/2014  
 EP 002551812-0007 10/2014  
 EP 002551812-0008 10/2014  
 JP D1465336 3/2013  
 JP D1465337 3/2013  
 JP D1465486 3/2013  
 JP D1481437 10/2013  
 JP D1522668 4/2015  
 JP D1522669 4/2015  
 JP D1522842 4/2015  
 JP D1523331 5/2015  
 JP D1532207 8/2015  
 JP D1536637 11/2015  
 JP D1536638 11/2015

\* cited by examiner

Fig. 1

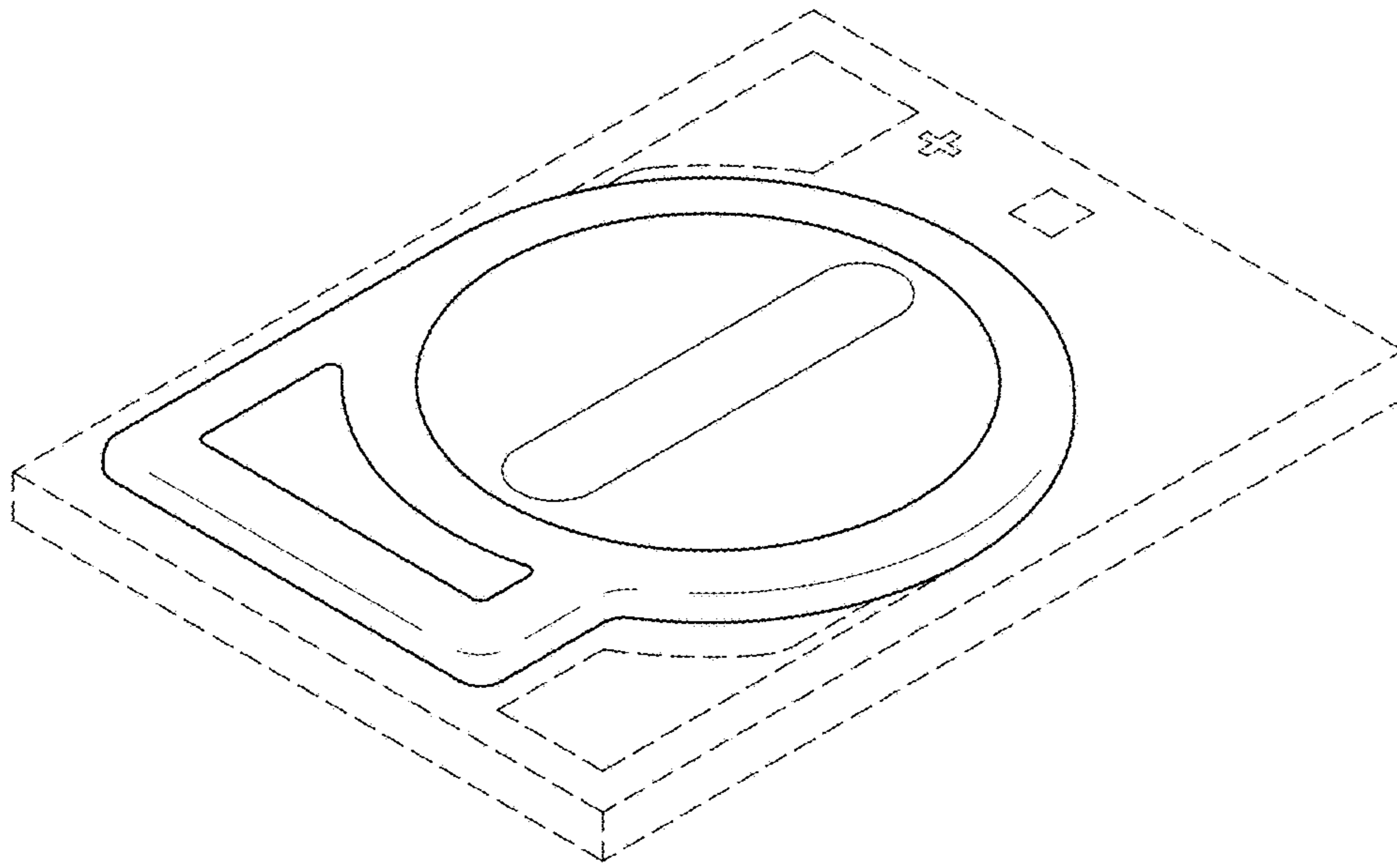


Fig. 2

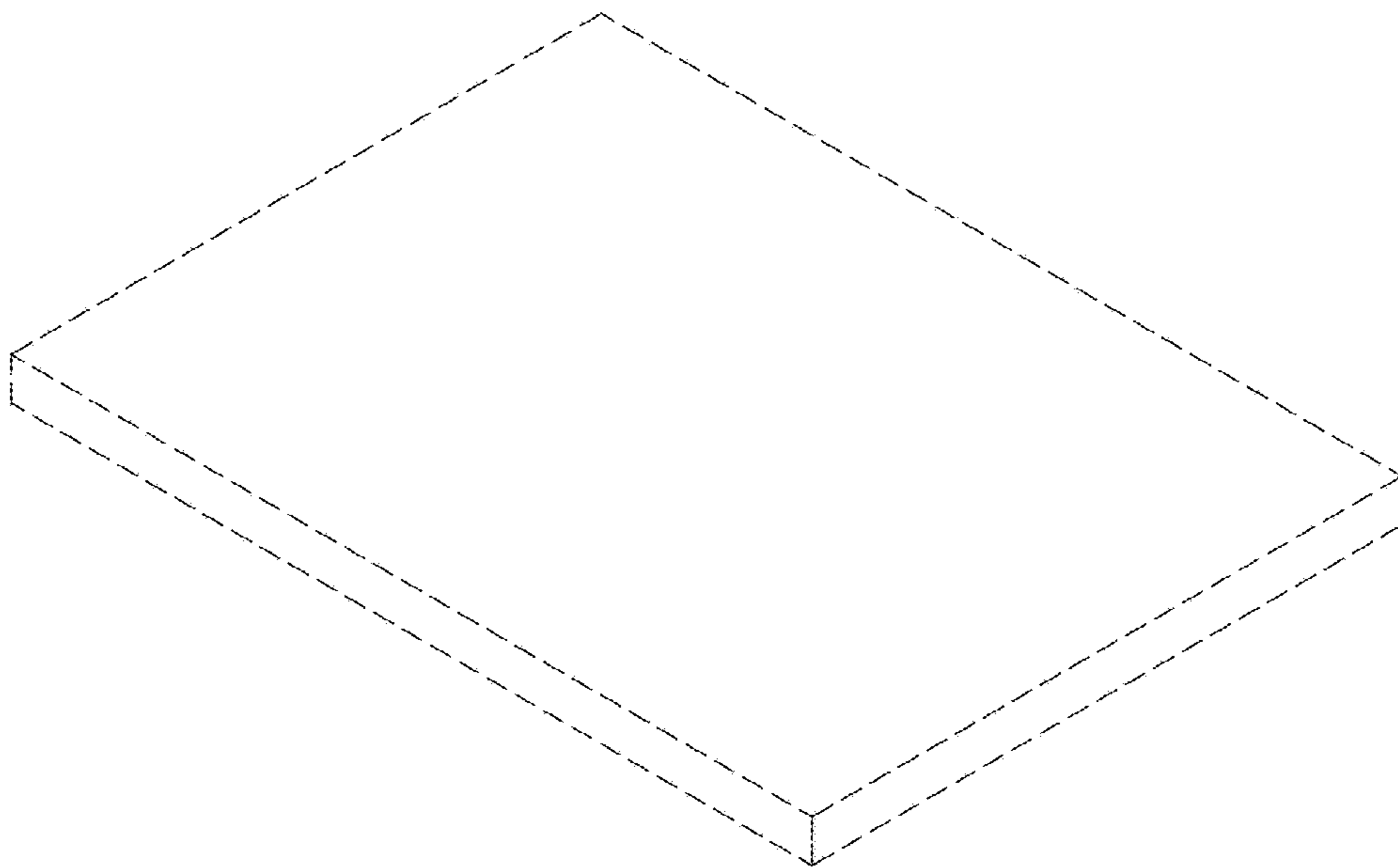


Fig. 3



Fig. 4

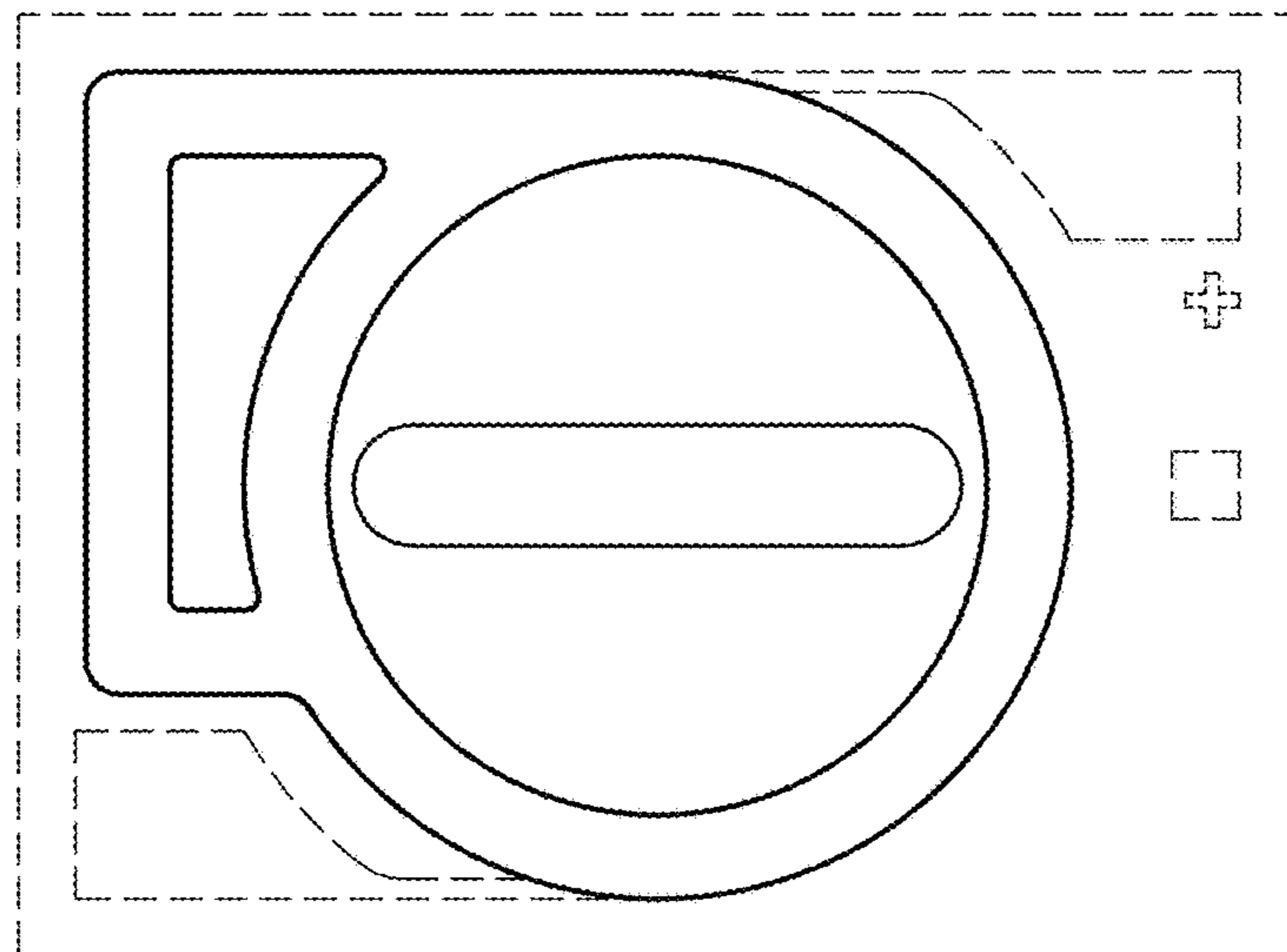


Fig. 5



Fig. 6

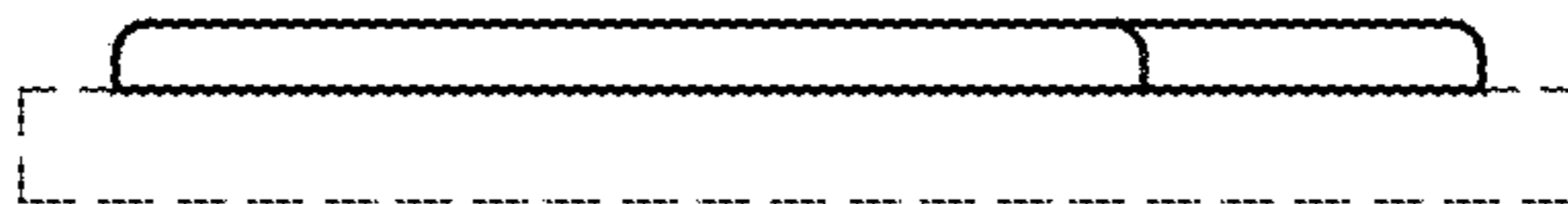


Fig. 7

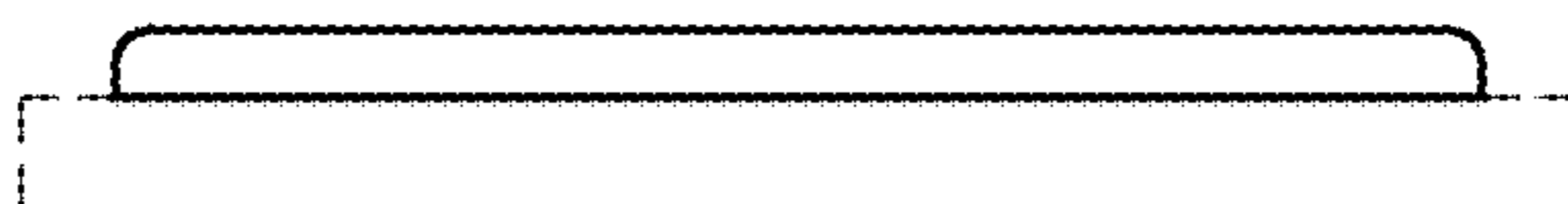


Fig. 8

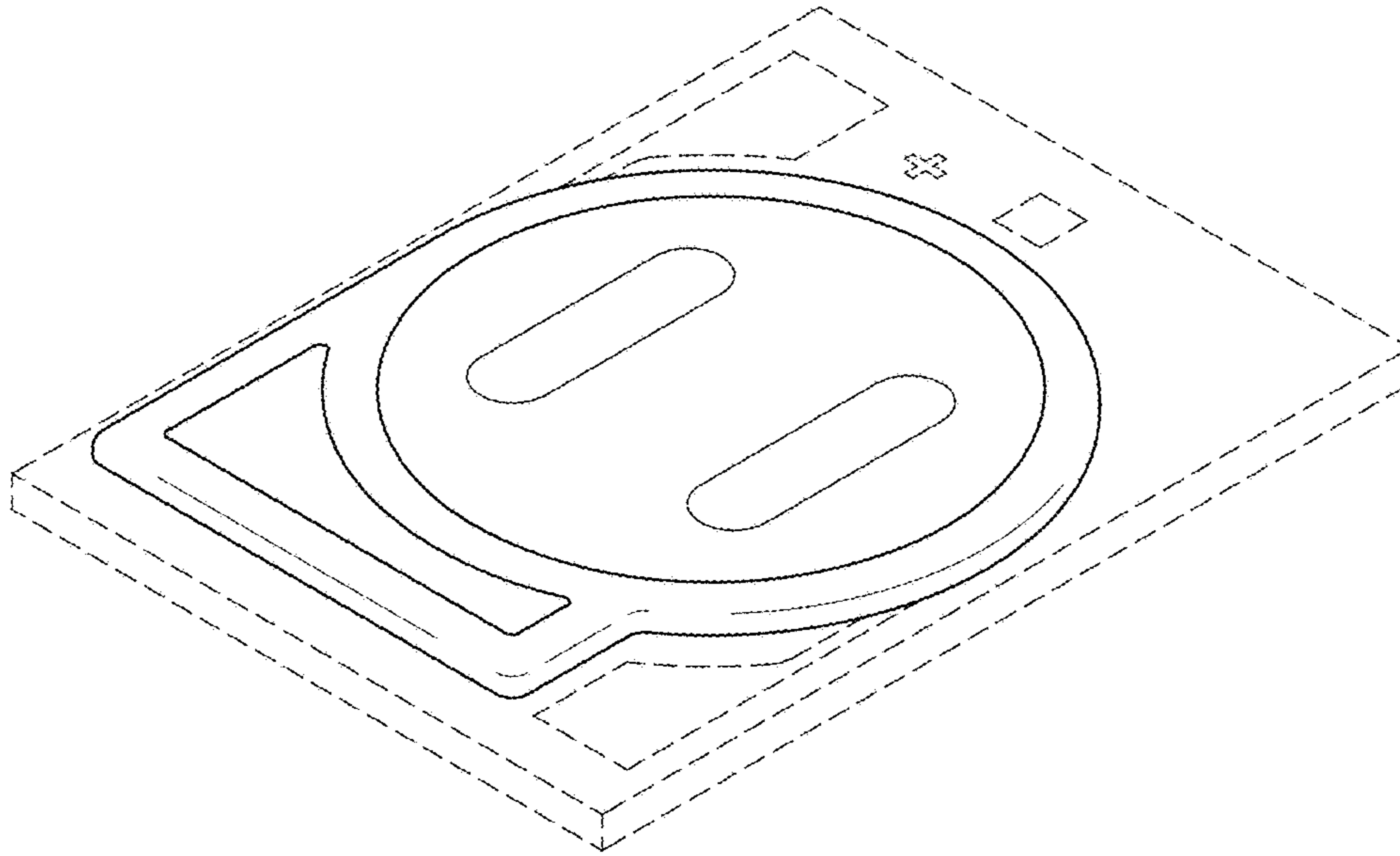


Fig. 9

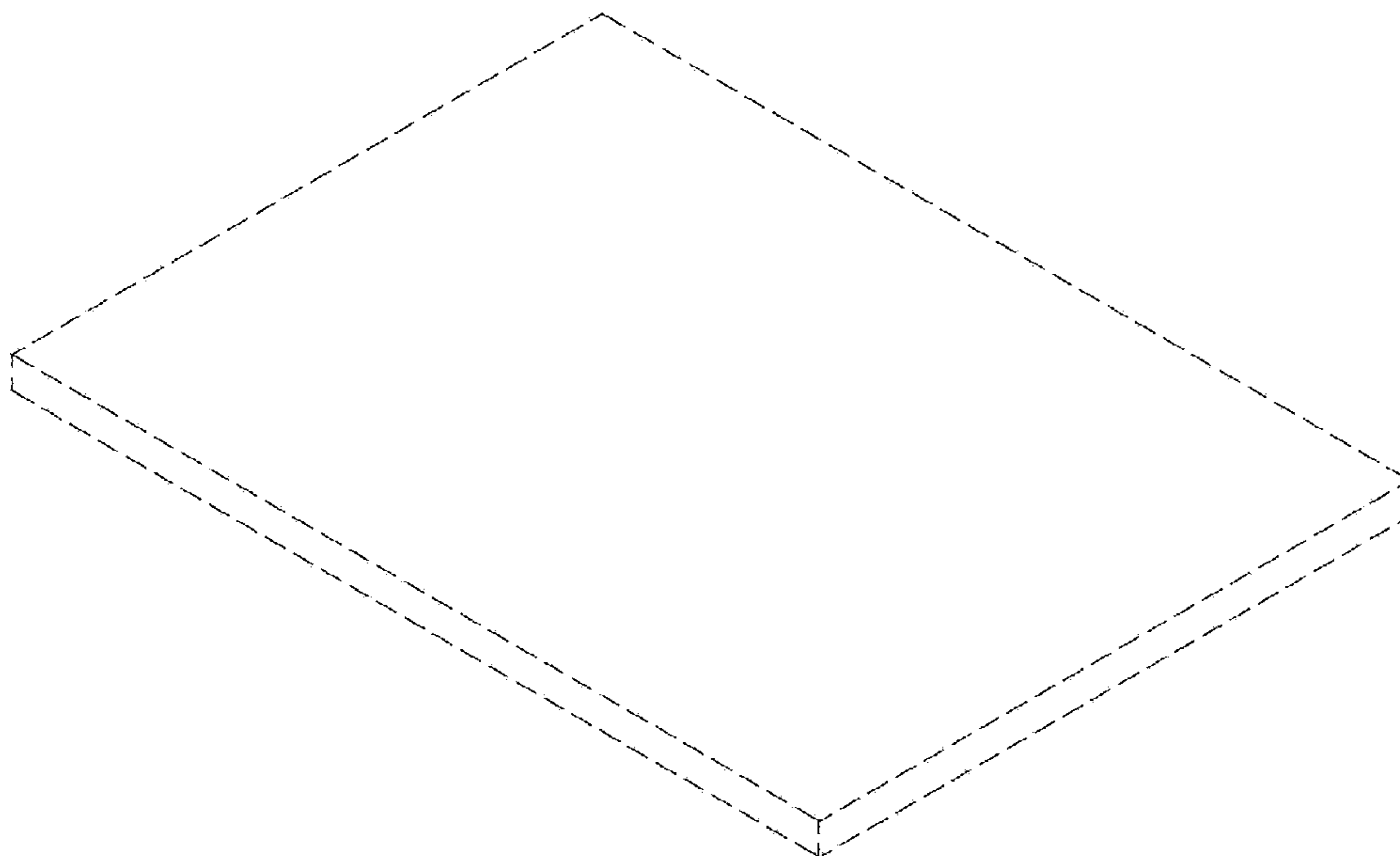


Fig. 10



Fig. 11

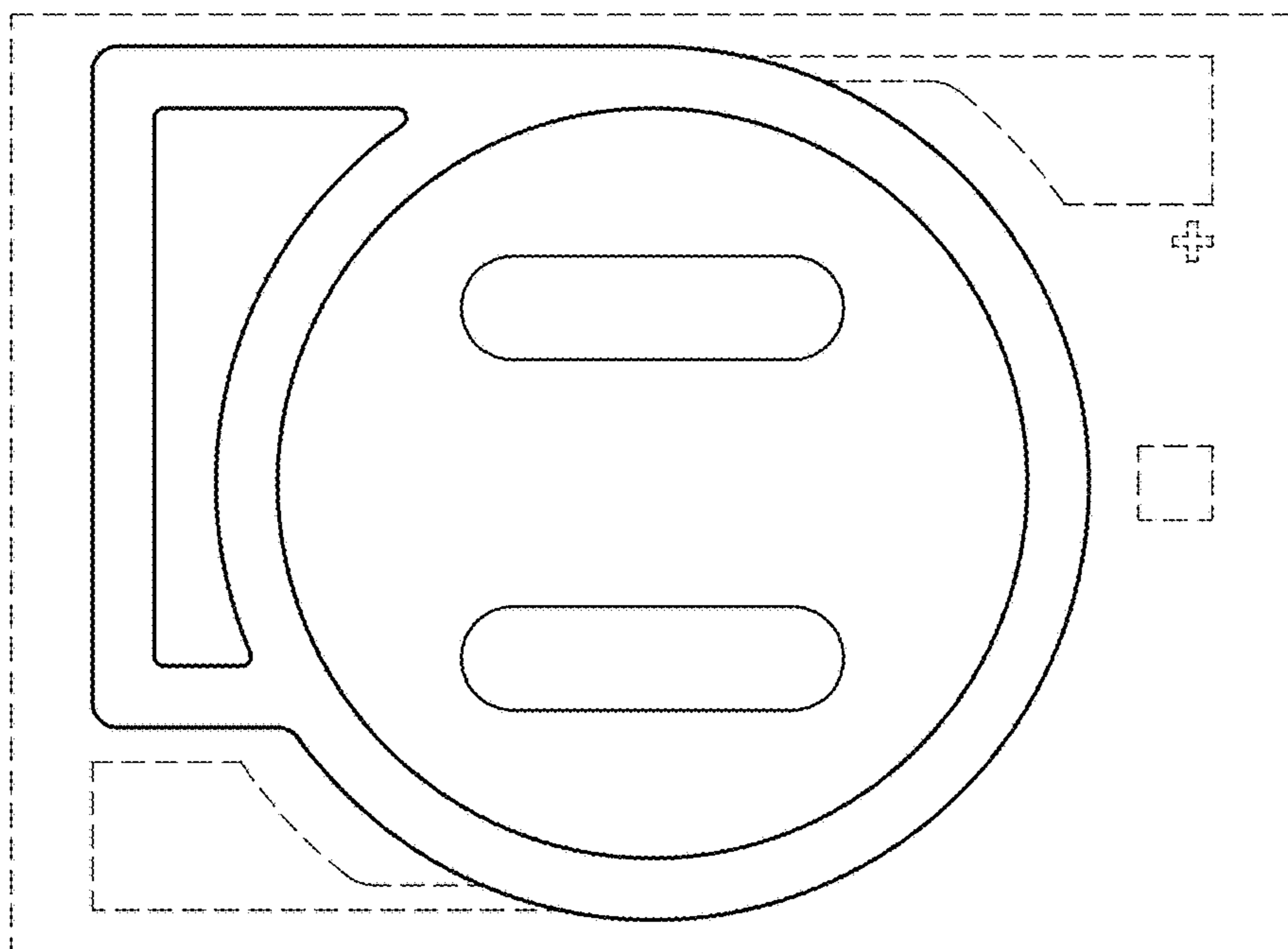


Fig. 12



Fig. 13

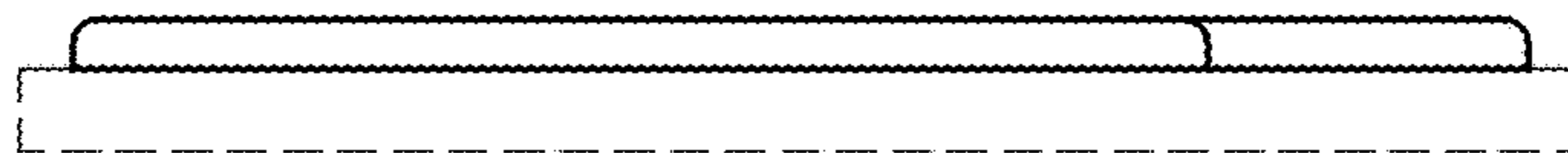
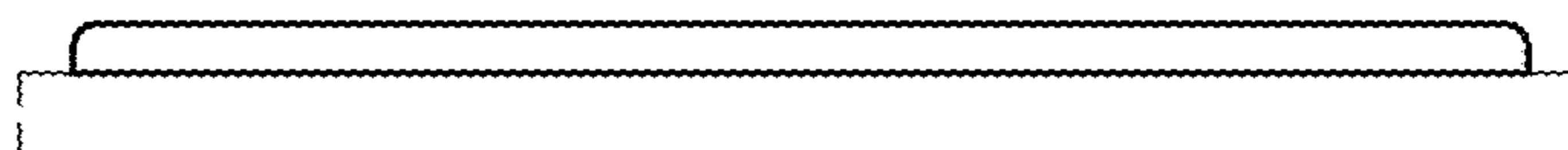


Fig. 14





UNITED STATES PATENT AND TRADEMARK OFFICE  
**CERTIFICATE OF CORRECTION**

PATENT NO. : D791,089 S  
APPLICATION NO. : 29/561827  
DATED : July 4, 2017  
INVENTOR(S) : Satoshi Goto

Page 1 of 1

It is certified that error appears in the above-identified patent and that said Letters Patent is hereby corrected as shown below:

On the Title Page

In Item (73) Assignee, please change "CITIZEN WATCH CO., LTD" to --CITIZEN WATCH CO., LTD.--.

Signed and Sealed this  
Twelfth Day of December, 2017



Joseph Matal

*Performing the Functions and Duties of the  
Under Secretary of Commerce for Intellectual Property and  
Director of the United States Patent and Trademark Office*