



US00D791085S

(12) **United States Design Patent** (10) **Patent No.:** **US D791,085 S**
Rosenberg et al. (45) **Date of Patent:** **** Jul. 4, 2017**

(54) **SWITCH-DISCONNECTOR**

(71) Applicant: **ABB OY**, Helsinki (FI)

(72) Inventors: **Janne Rosenberg**, Vaasa (FI); **Oskari Uitto**, Vaasa (FI); **YiEr Wu**, JiangMen (CN); **JianCheng Ren**, JiangMen (CN)

(73) Assignee: **ABB Oy**, Helsinki (FI)

(**) Term: **15 Years**

(21) Appl. No.: **29/533,632**

(22) Filed: **Jul. 20, 2015**

(30) **Foreign Application Priority Data**

Jan. 23, 2015 (CN) 2015 3 0020756

(51) **LOC (10) Cl.** **13-03**

(52) **U.S. Cl.**
USPC **D13/158**

(58) **Field of Classification Search**
USPC D13/110, 112, 118, 123, 158-160,
D13/165-173, 177, 178, 184, 199
CPC H01H 33/60; H01H 33/00; H01H 37/04;
H01H 37/5427; H01H 71/00; H01H
71/02; H01H 71/06; H01H 73/08; H01H
3/22; H01H 9/02; H01H 9/20; H01H
9/30; H01H 71/12; H01H 75/00; H01H
9/00; H01H 13/00; H01H 13/44; H01H
33/10; H01H 37/52; H01H 71/08; H01H
83/00

See application file for complete search history.

(56) **References Cited**

U.S. PATENT DOCUMENTS

D246,851 S * 1/1978 Tarchalski D13/160
5,493,083 A * 2/1996 Olivier H01H 71/56
200/17 R

D468,687 S * 1/2003 Hamada D13/113
D511,502 S * 11/2005 Kim D13/160
D629,367 S * 12/2010 Detemple D13/160
D654,441 S * 2/2012 Mattlar D13/158
8,587,240 B2 * 11/2013 Wolfe H02P 1/28
318/400.19
D707,636 S * 6/2014 Besana D13/160
D714,733 S * 10/2014 Johansson D13/123
D733,070 S * 6/2015 Engblom D13/158
D737,221 S * 8/2015 Andersson D13/158
2002/0192990 A1 * 12/2002 Alexandre H01H 50/326
439/135

* cited by examiner

Primary Examiner — Thomas Johannes

Assistant Examiner — Shawn T Gingrich

(74) *Attorney, Agent, or Firm* — Taft Stettinius & Hollister LLP

(57) **CLAIM**

The ornamental design for a switch-disconnector, as shown and described.

DESCRIPTION

FIG. 1 is a front side perspective view of a switch-disconnector of the present invention.

FIG. 2 is a bottom view of the switch-disconnector of FIG. 1.

FIG. 3 is a top view of the switch-disconnector of FIG. 1.

FIG. 4 is a right view of the switch-disconnector of FIG. 1.

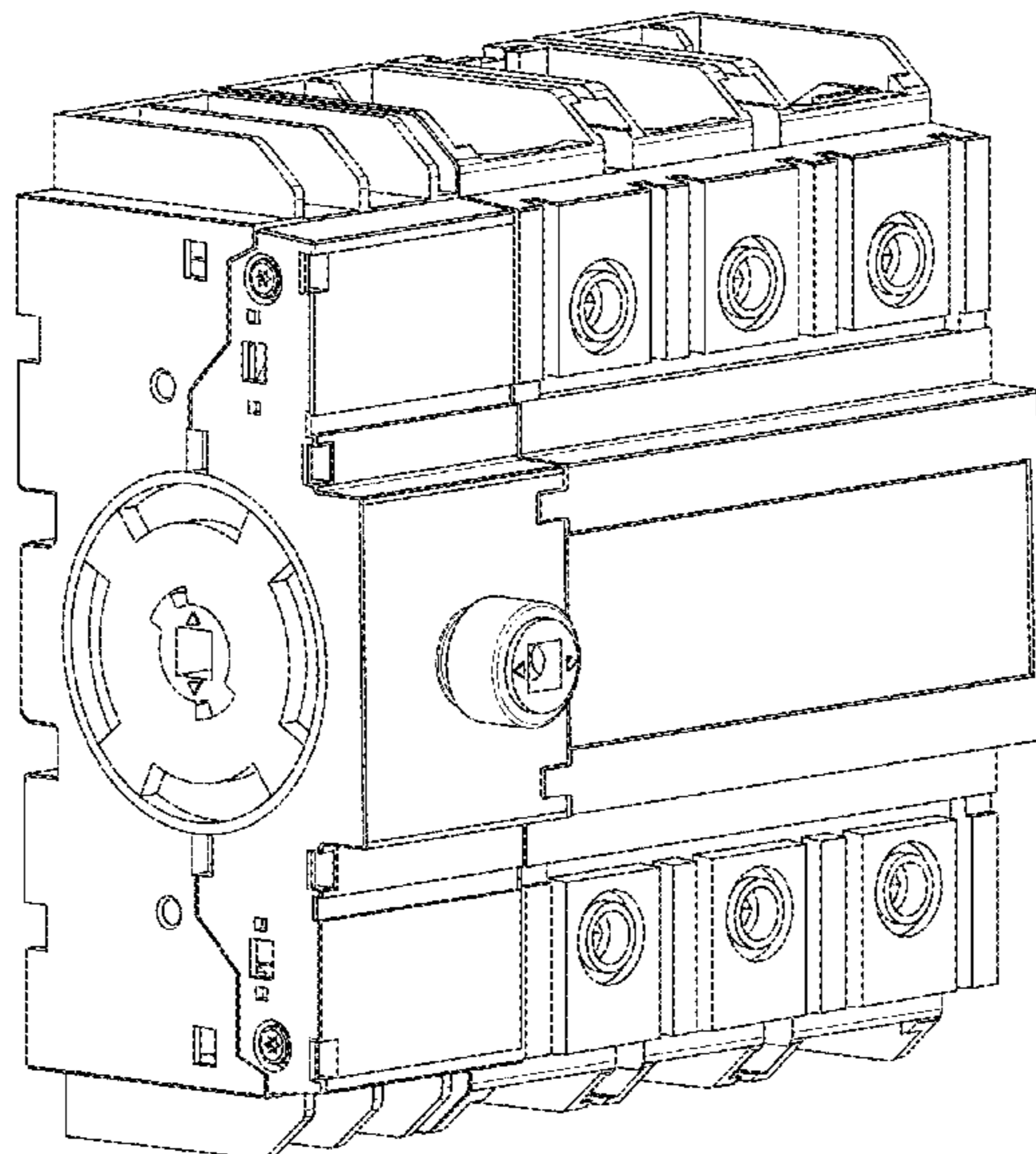
FIG. 5 is a left view of the switch-disconnector of FIG. 1.

FIG. 6 is a front view of the switch-disconnector of FIG. 1; and,

FIG. 7 is a back view of the switch-disconnector of FIG. 1.

The broken line portion of the figure drawings is included to show portions of the articule that form no part of the claimed design.

1 Claim, 5 Drawing Sheets



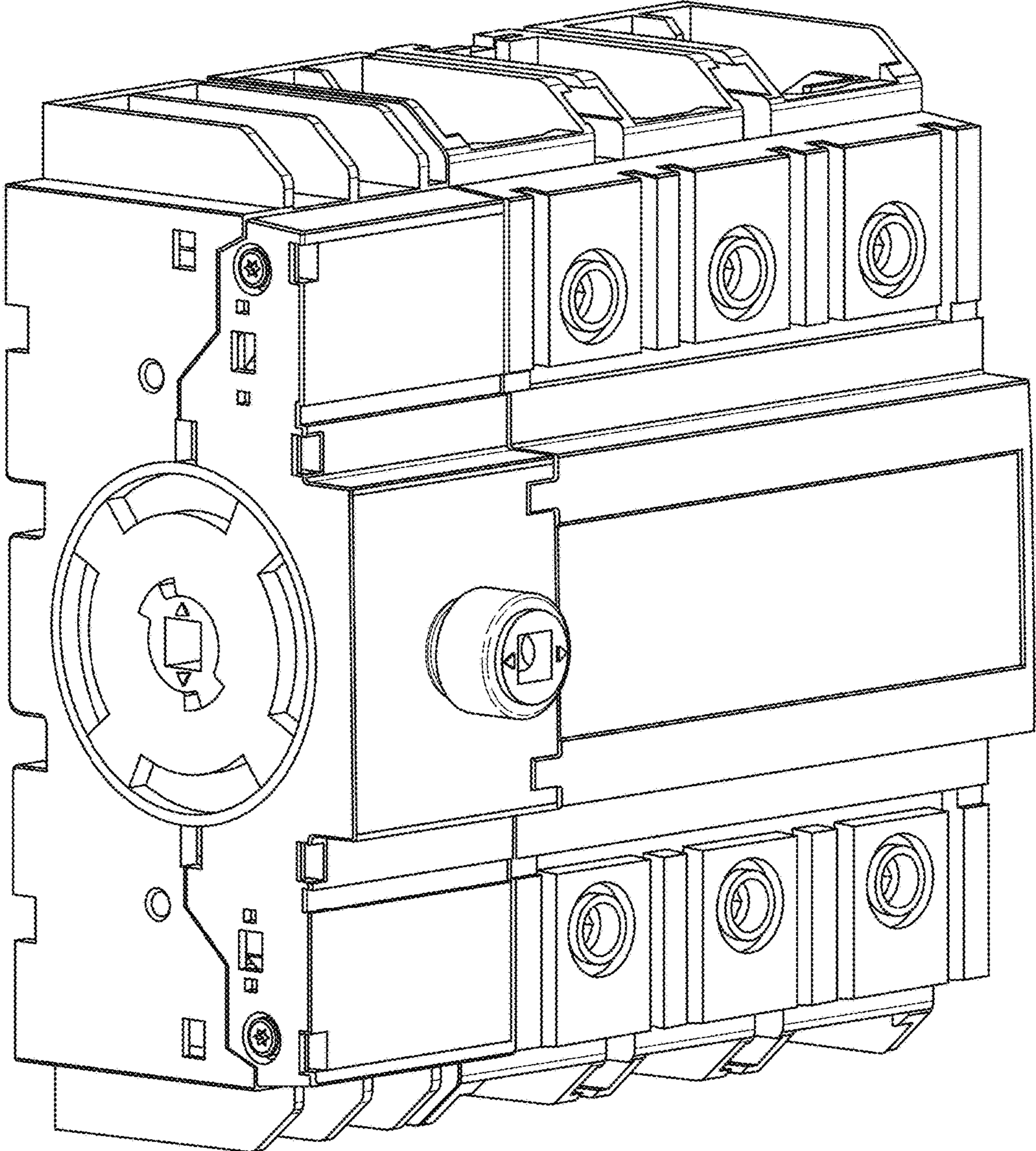


FIG. 1

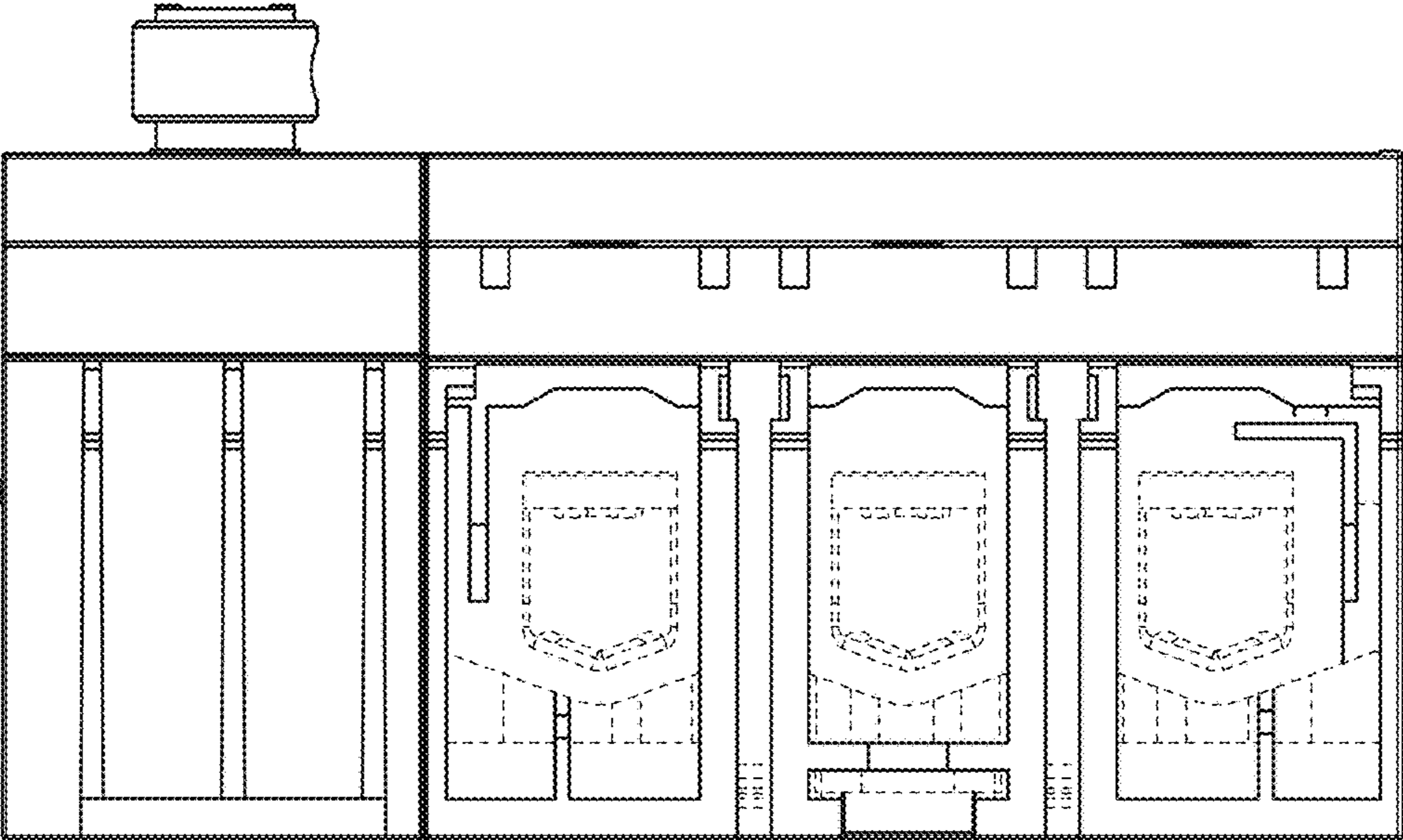


FIG. 2

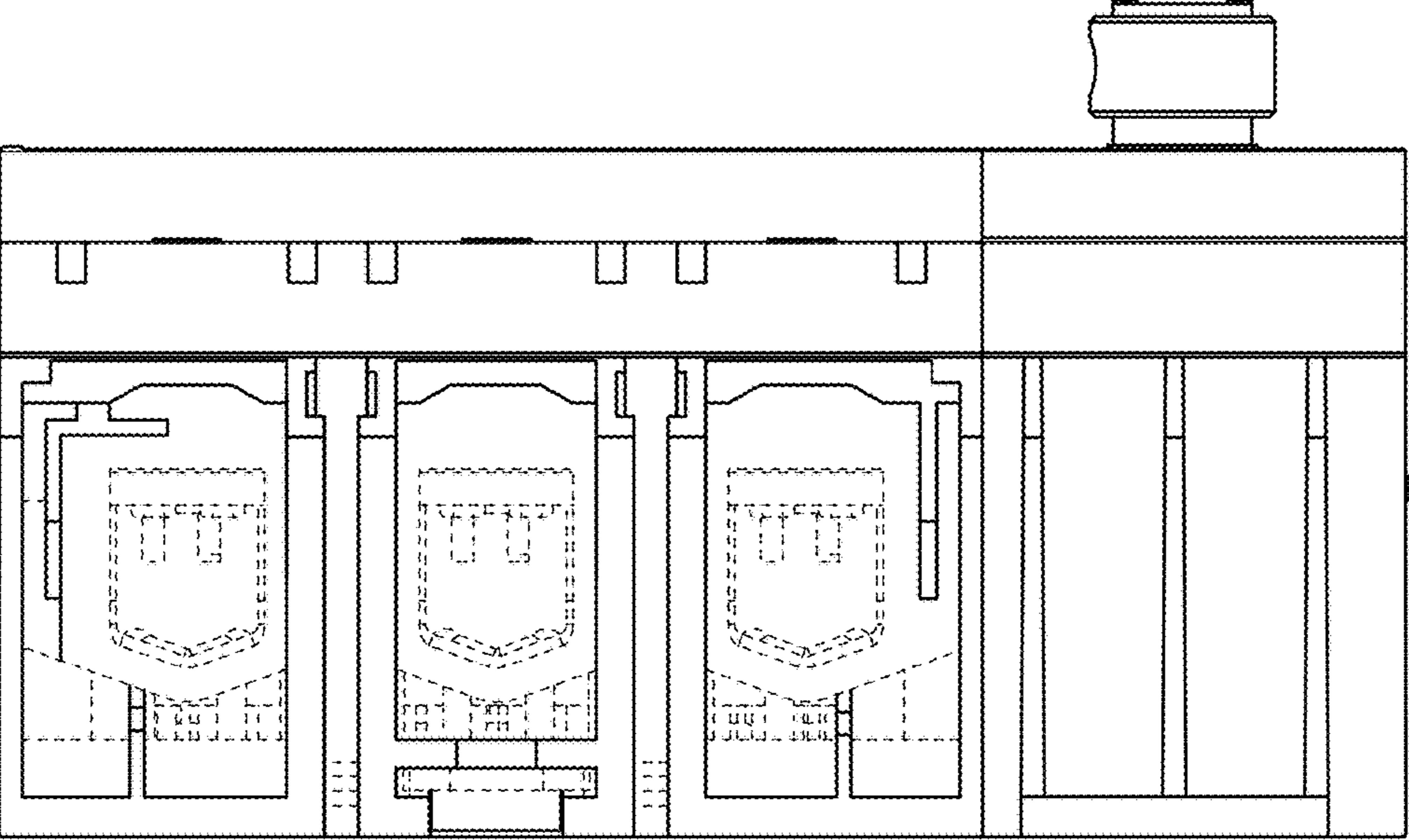


FIG. 3

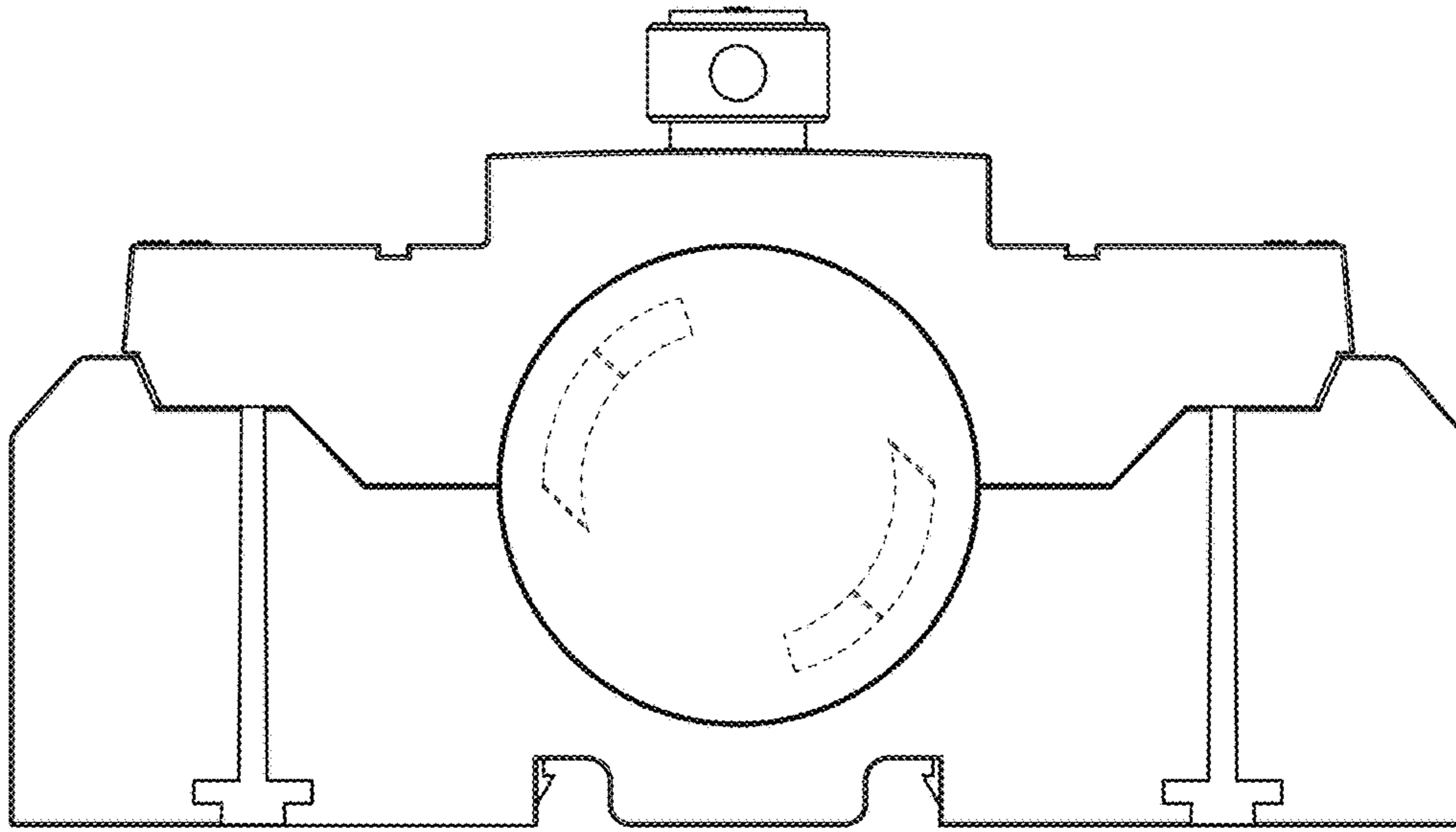


FIG. 4

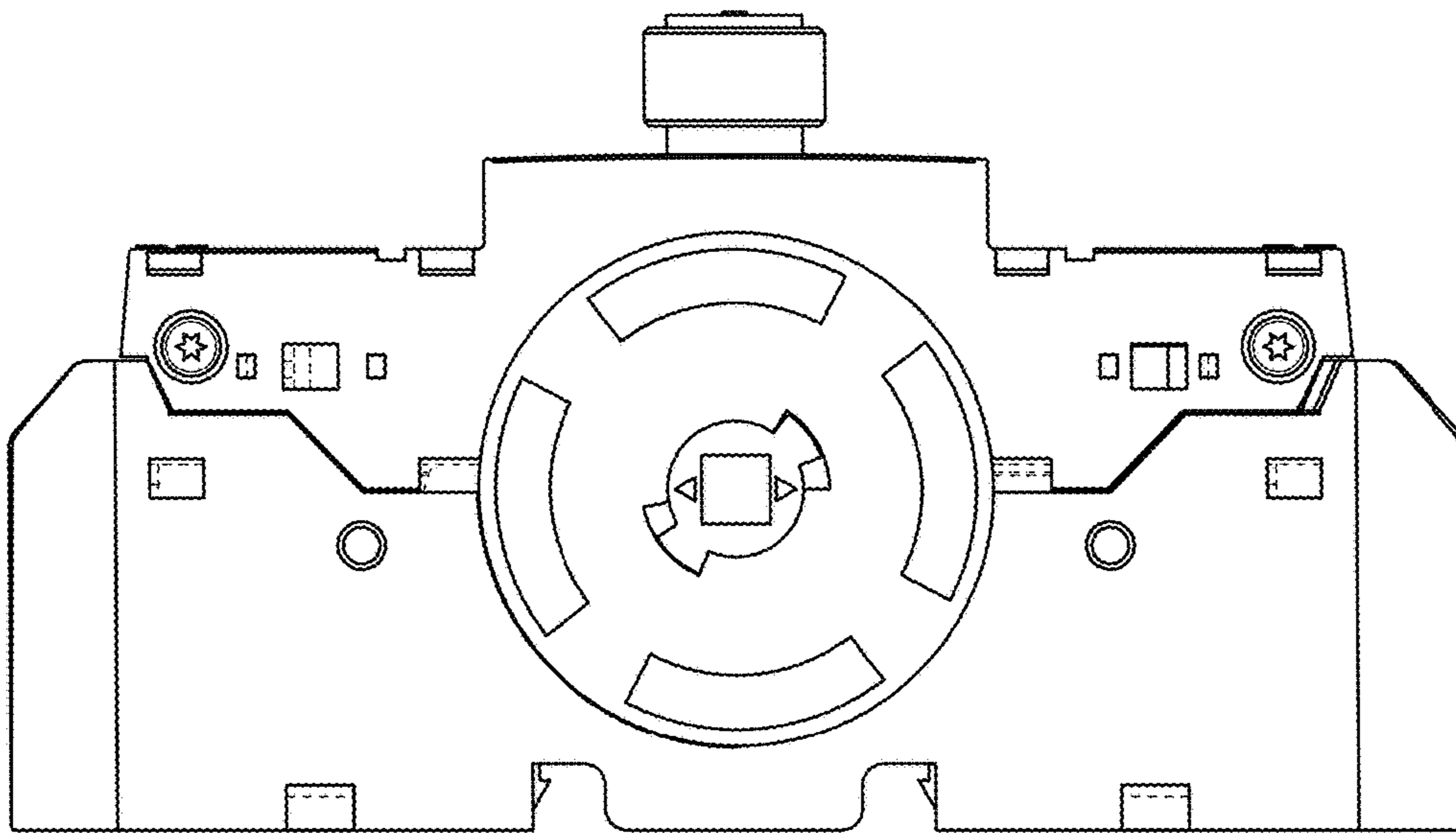


FIG. 5

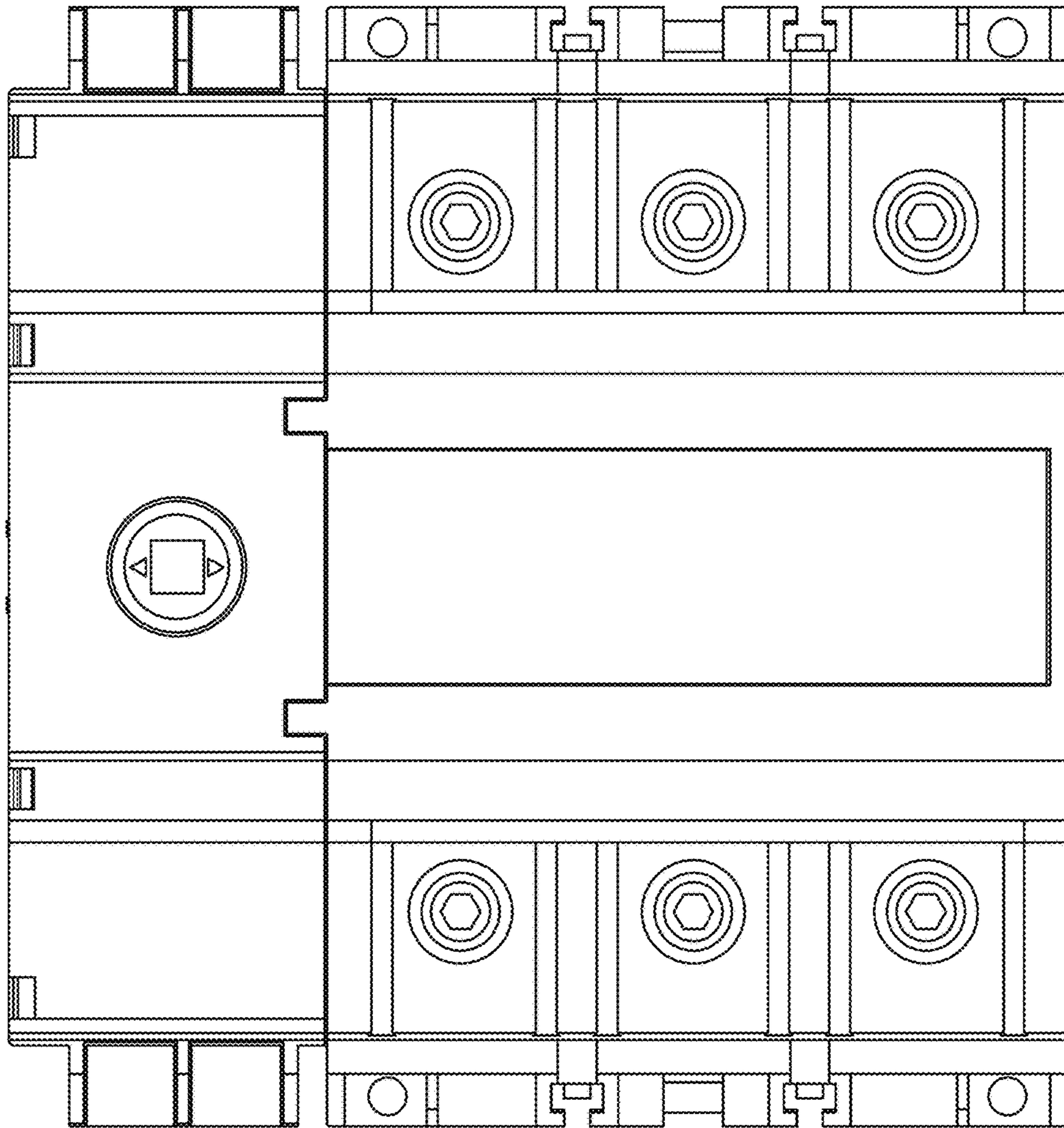


FIG. 6

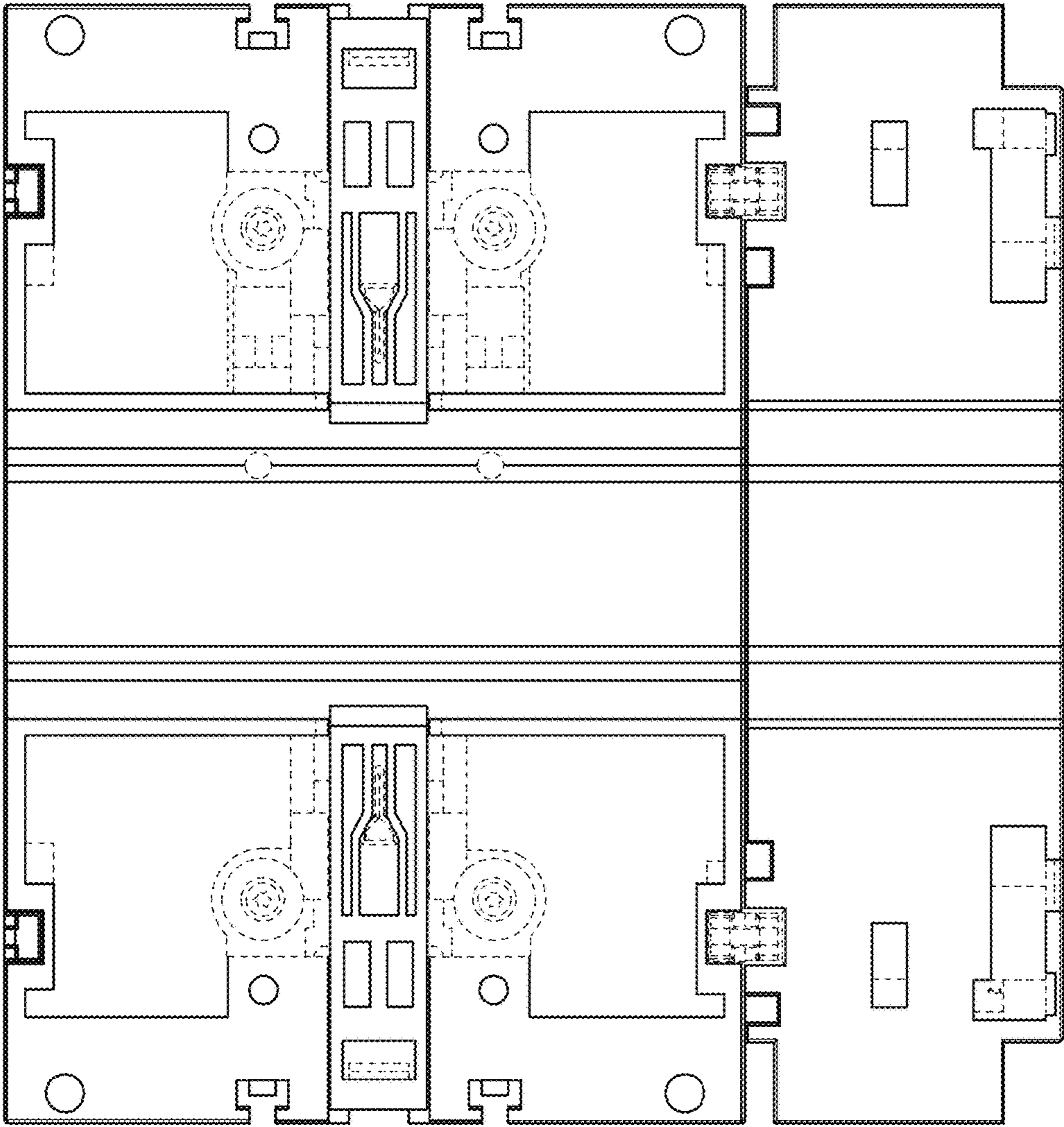


FIG. 7