



US00D791084S

(12) **United States Design Patent**
Kim

(10) **Patent No.:** **US D791,084 S**

(45) **Date of Patent:** **** Jul. 4, 2017**

(54) **CONNECTOR COVER FOR ELECTRONIC DEVICE**

(71) Applicant: **UJU ELECTRONICS CO., LTD.**,
Hwaseong-si, Gyeonggi-do (KR)

(72) Inventor: **Do-Jun Kim**, Hwaseong (KR)

(73) Assignee: **UJU ELECTRONICS CO., LTD.**,
Gyeonggi-Do (KR)

(**) Term: **15 Years**

(21) Appl. No.: **29/531,799**

(22) Filed: **Jun. 30, 2015**

(30) **Foreign Application Priority Data**

Feb. 24, 2015 (KR) 30-2015-0009234

(51) **LOC (10) Cl.** **13-01**

(52) **U.S. Cl.**
USPC **D13/153**

(58) **Field of Classification Search**
USPC D13/153, 120, 132, 133, 149, 147, 150,
D13/154-156, 162, 184, 199; 439/74,
439/108, 368-375, 607
CPC H01R 11/05; H01R 11/22; H01R 12/50;
H01R 12/70; H01R 12/71; H01R 12/78;
H01R 13/115; H01R 12/07
See application file for complete search history.

(56) **References Cited**

U.S. PATENT DOCUMENTS

6,932,648 B1 * 8/2005 Chiu H01R 13/65802
439/492
D626,511 S * 11/2010 Nakajima D13/147

D686,994 S * 7/2013 Ibaraki D13/147
D688,207 S * 8/2013 Nakajima D13/147
D725,596 S * 3/2015 Ikari D13/147
9,093,795 B2 * 7/2015 Ashibu H01R 12/7011
2007/0134975 A1 * 6/2007 Shin H01R 12/88
439/495

* cited by examiner

Primary Examiner — Wan Laymon

Assistant Examiner — Mark Booker

(74) *Attorney, Agent, or Firm* — IPLA P.A.; James E. Bame

(57) **CLAIM**

The ornamental design for a connector cover for electronic device, as shown and described.

DESCRIPTION

FIG. 1 is a perspective view of a connector cover for electronic device showing my new design;
FIG. 2 is a front elevational view thereof;
FIG. 3 is a rear elevational view thereof;
FIG. 4 is a reduced left side elevational view thereof;
FIG. 5 is a reduced right side elevational view thereof;
FIG. 6 is a top plan view thereof; and,
FIG. 7 is a bottom plan view thereof.

The portions of the connector cover for electronic device shown in broken lines form no part of the claimed design.

1 Claim, 3 Drawing Sheets

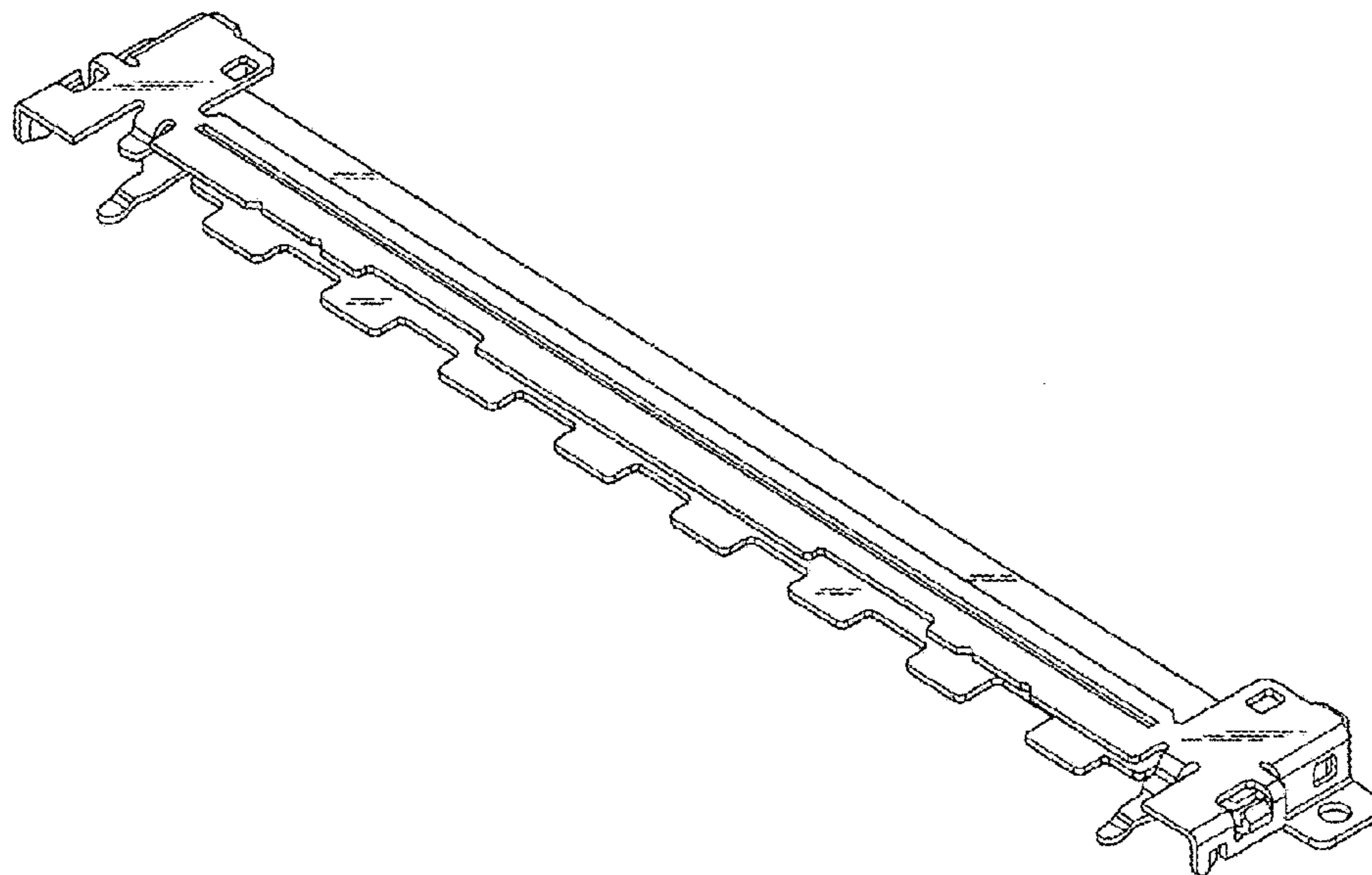


FIG. 1

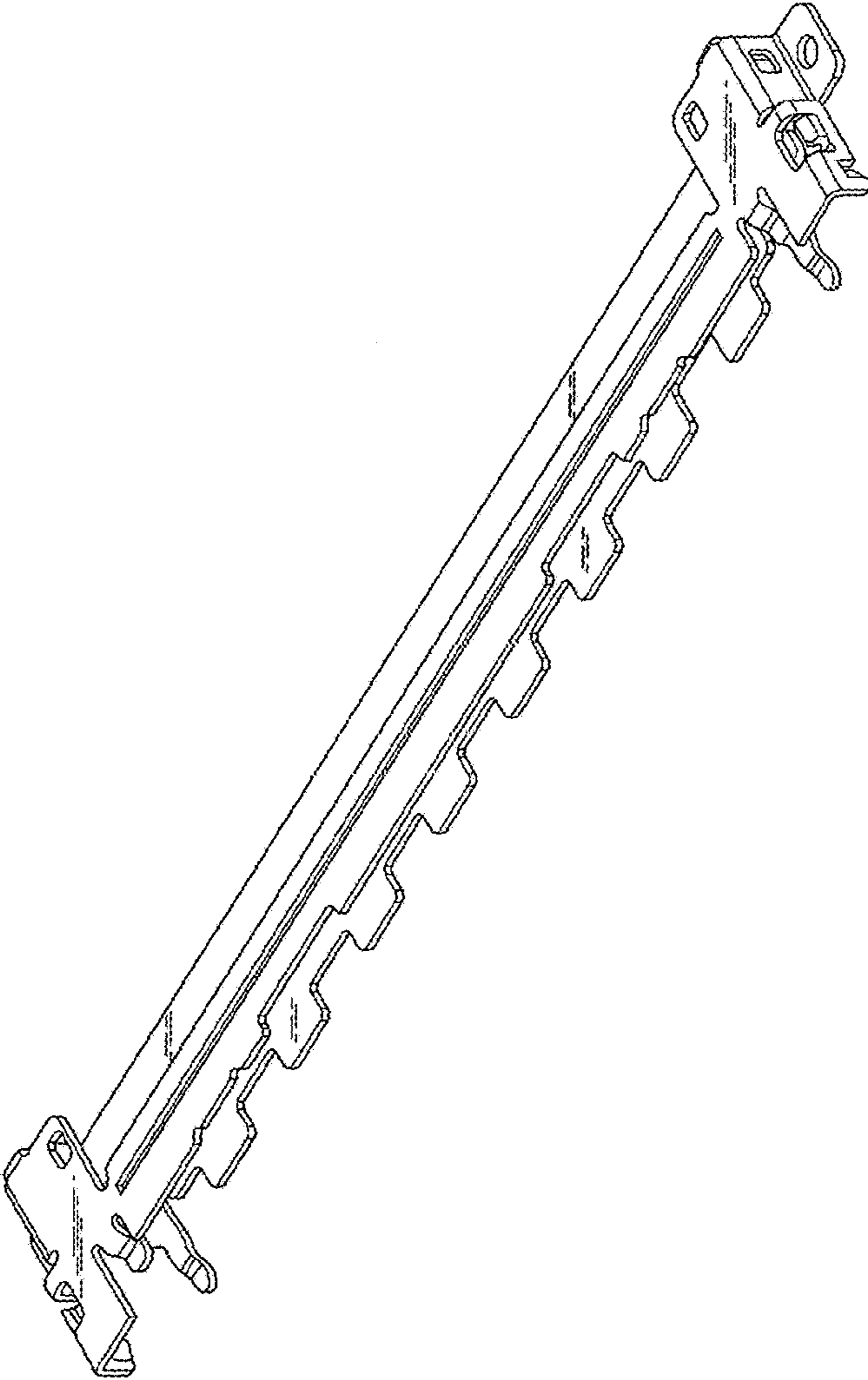


FIG. 2

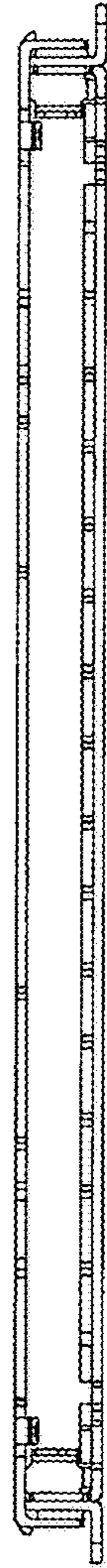


FIG. 3



FIG. 4



FIG. 5



FIG. 6

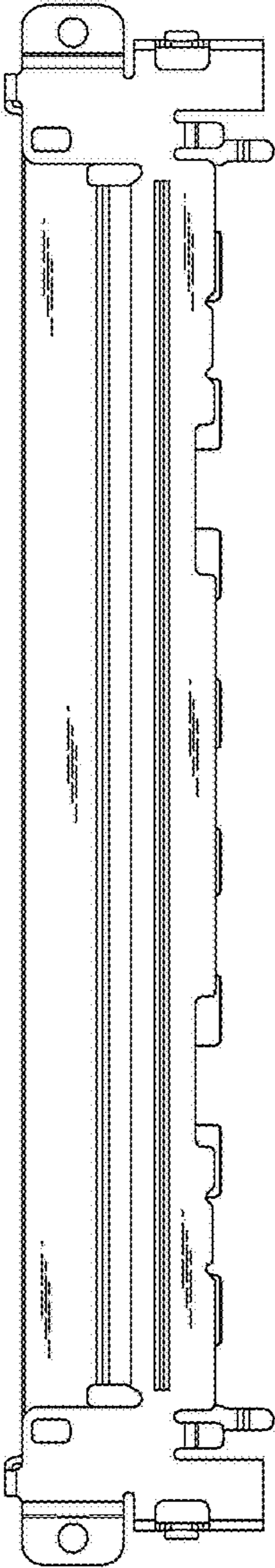


FIG. 7

