



US00D791083S

(12) **United States Design Patent**
Li et al.

(10) **Patent No.:** **US D791,083 S**
(45) **Date of Patent:** **** Jul. 4, 2017**

- (54) **CONNECTOR HOUSING**
- (71) Applicant: **Molex, LLC**, Lisle, IL (US)
- (72) Inventors: **Dixon Li**, Shanghai (CN); **Anson Yin**, Shanghai (CN)
- (73) Assignee: **Molex, LLC**, Lisle, IL (US)
- (**) Term: **15 Years**
- (21) Appl. No.: **29/563,134**
- (22) Filed: **May 2, 2016**
- (51) **LOC (10) Cl.** **13-03**
- (52) **U.S. Cl.**
USPC **D13/147**
- (58) **Field of Classification Search**
USPC D13/133, 146, 147, 154, 184, 199;
D14/432, 433, 435, 435.1, 436, 437, 438
CPC H01R 13/518; H01R 13/6471; H01R
13/6581; H01R 13/6585; H01R 13/6587;
H01R 13/6592; H01R 13/6593; H01R
13/6594; H01R 24/78; H01R 24/60
See application file for complete search history.

D615,039 S *	5/2010	Mancini	D13/133
D650,747 S *	12/2011	Smith	D13/133
D650,748 S *	12/2011	Smith	D13/133
D663,693 S *	7/2012	Smith	D13/146

FOREIGN PATENT DOCUMENTS

WO 2015/112975 A1 7/2015

* cited by examiner

Primary Examiner — Daniel Bui

(74) *Attorney, Agent, or Firm* — Banner & Witcoff, Ltd.

(57) **CLAIM**

The ornamental design for connector housing, as shown and described.

DESCRIPTION

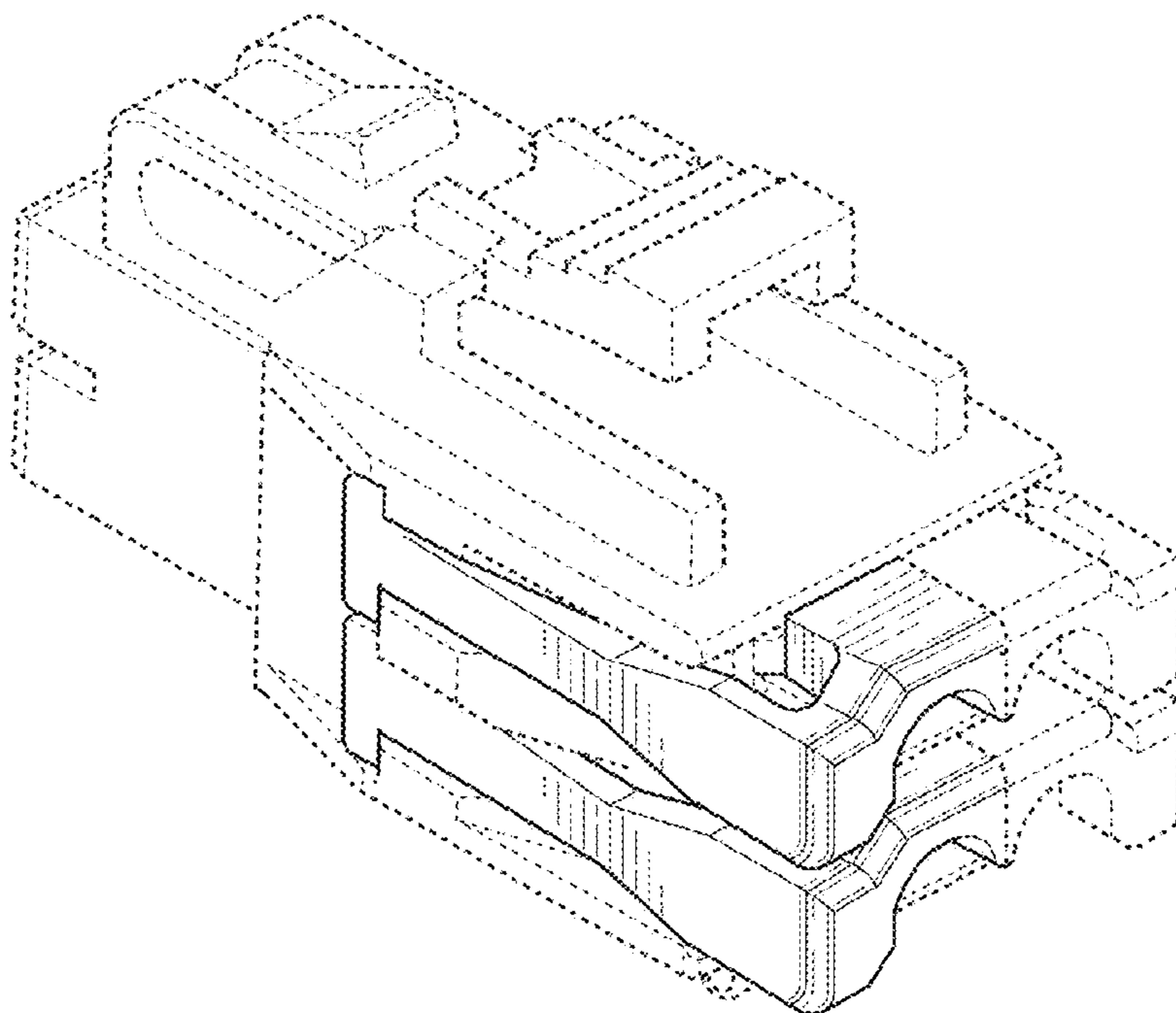
FIG. 1 is a front perspective view of connector housing showing our new design;
 FIG. 2 is a left side view thereof;
 FIG. 3 is a right side view thereof;
 FIG. 4 is a rear view thereof;
 FIG. 5 is a front view thereof;
 FIG. 6 is a top view thereof; and,
 FIG. 7 is a bottom view thereof.

The broken lines immediately adjacent to the shaded area represent unclaimed boundaries of the design. The broken lines showing the remainder of the connector housing are for environmental purposes only and form no part of the claimed design.

1 Claim, 7 Drawing Sheets

(56) **References Cited**
U.S. PATENT DOCUMENTS

D208,551 S *	9/1967	Geis	D13/133
D512,687 S *	12/2005	Baker	D13/133
D578,065 S *	10/2008	Baker	D13/133
D612,807 S *	3/2010	Mancini	D13/133



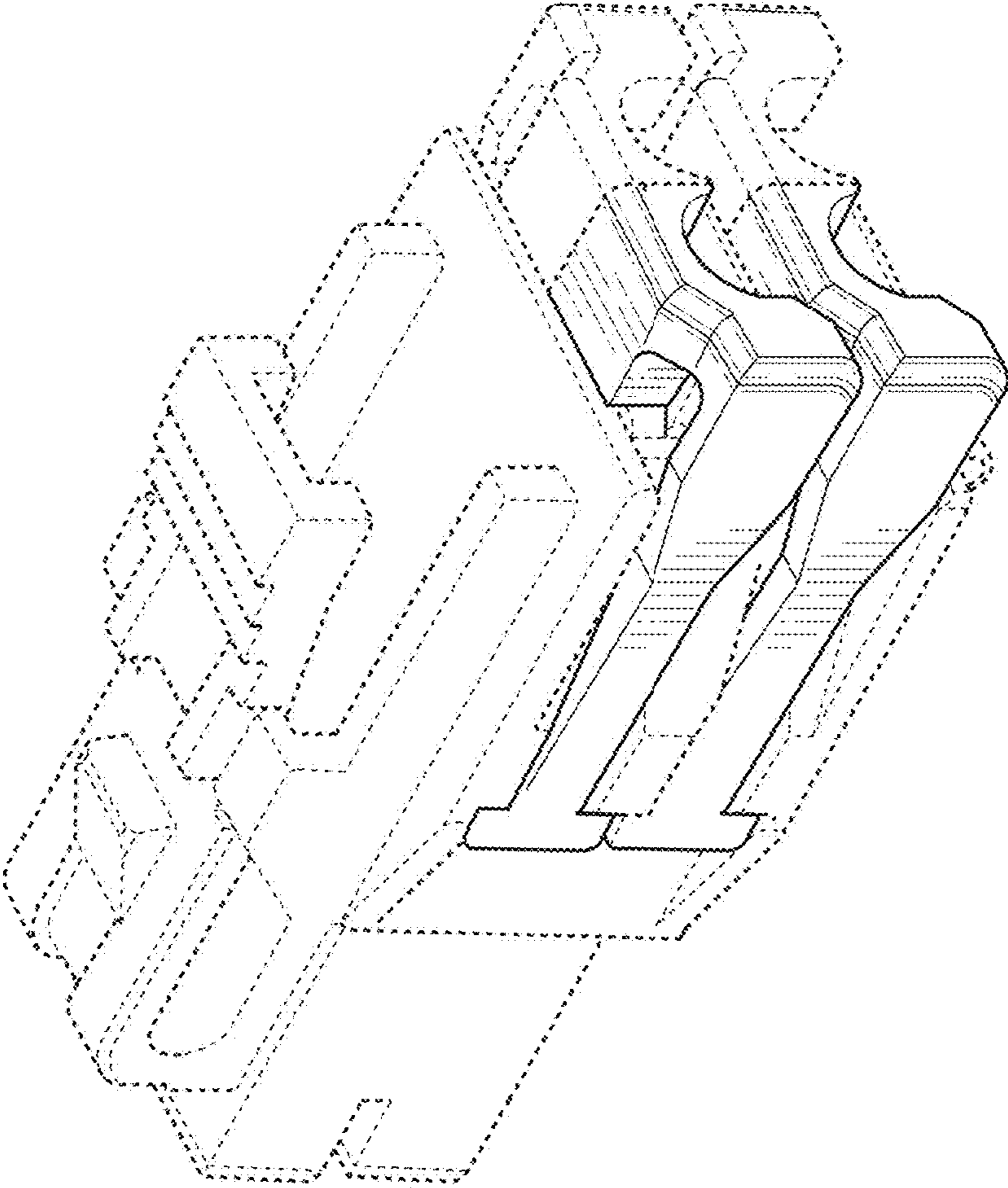


FIG. 1

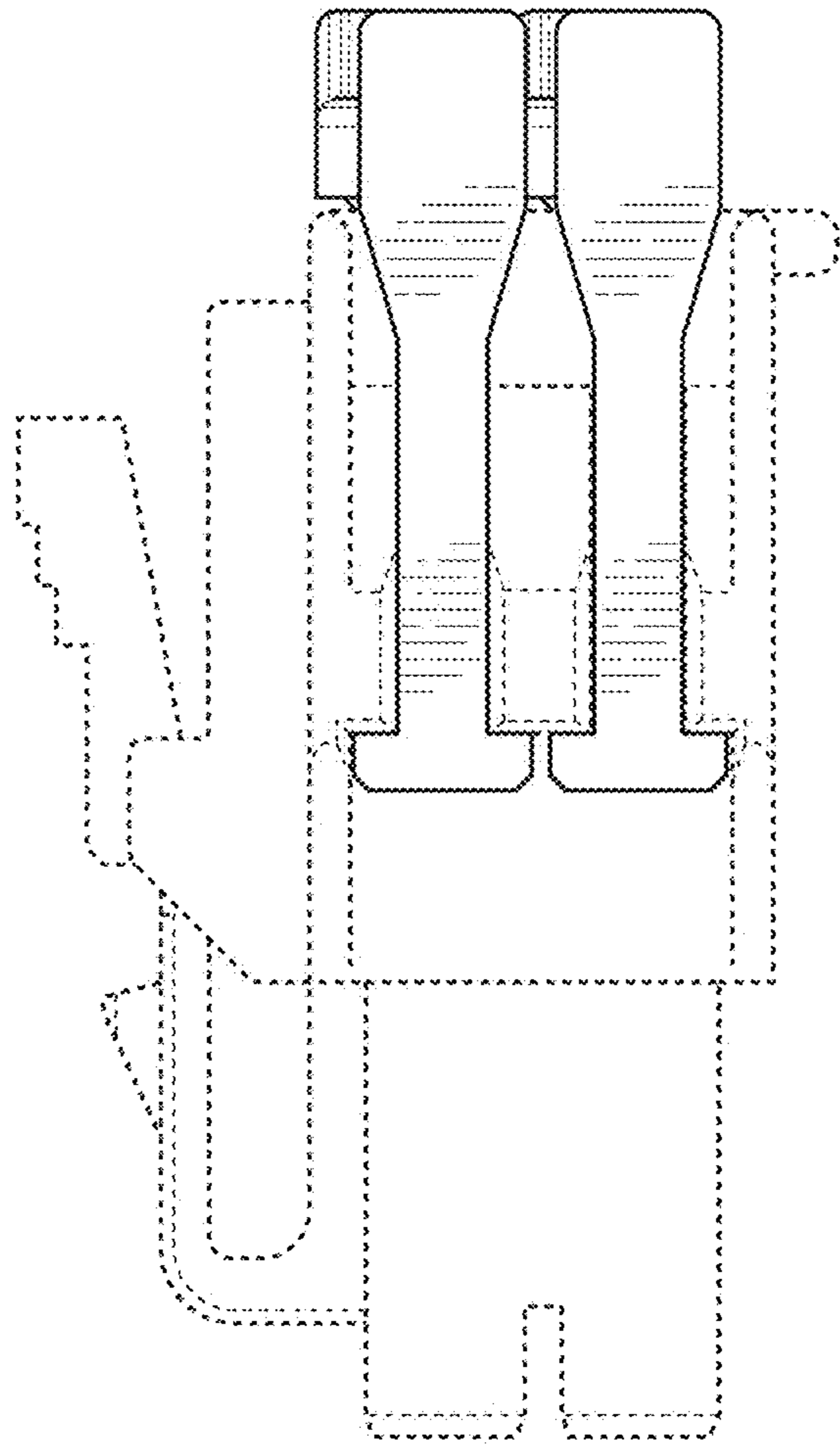


FIG. 2

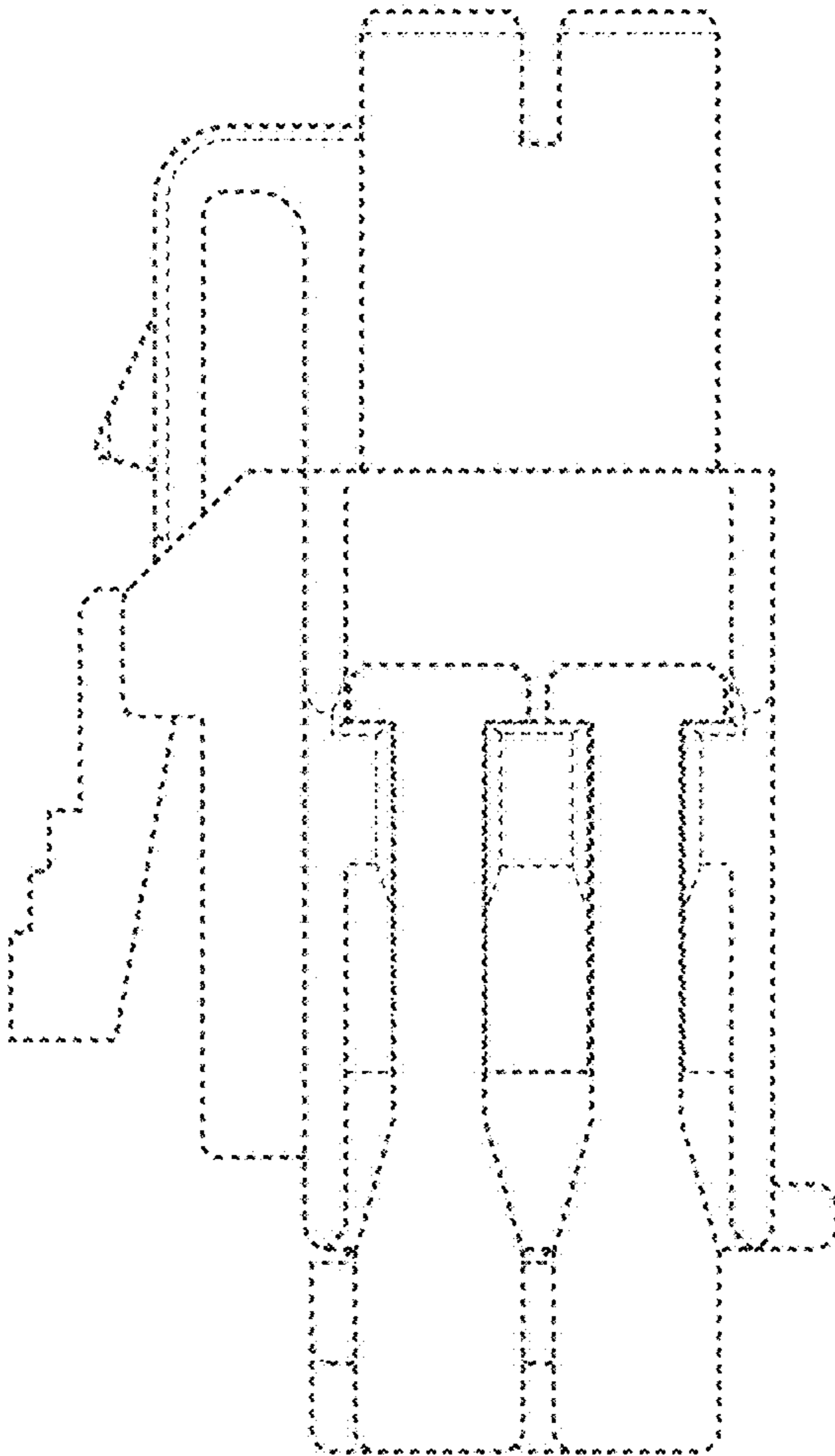


FIG. 3

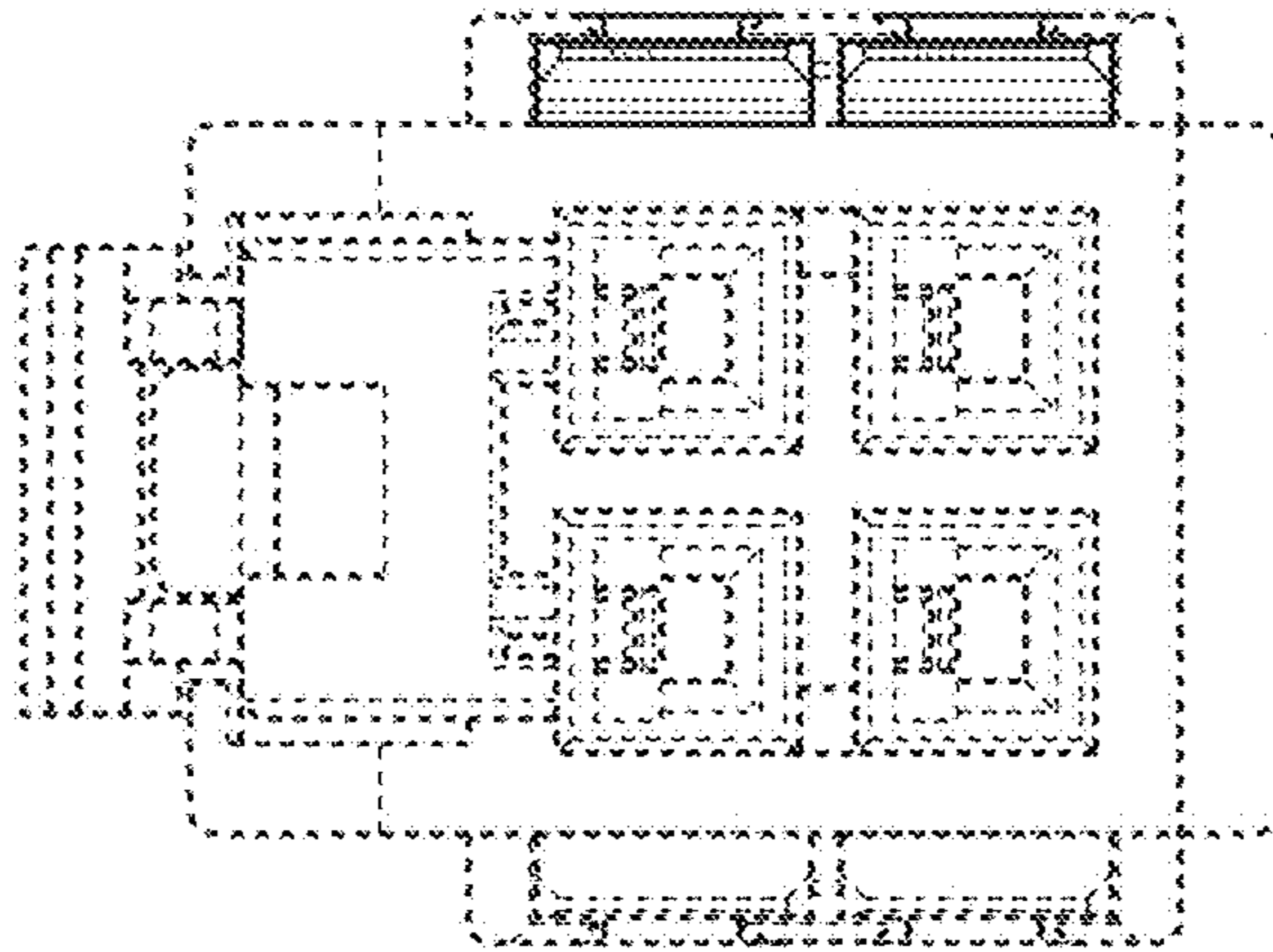


FIG. 4

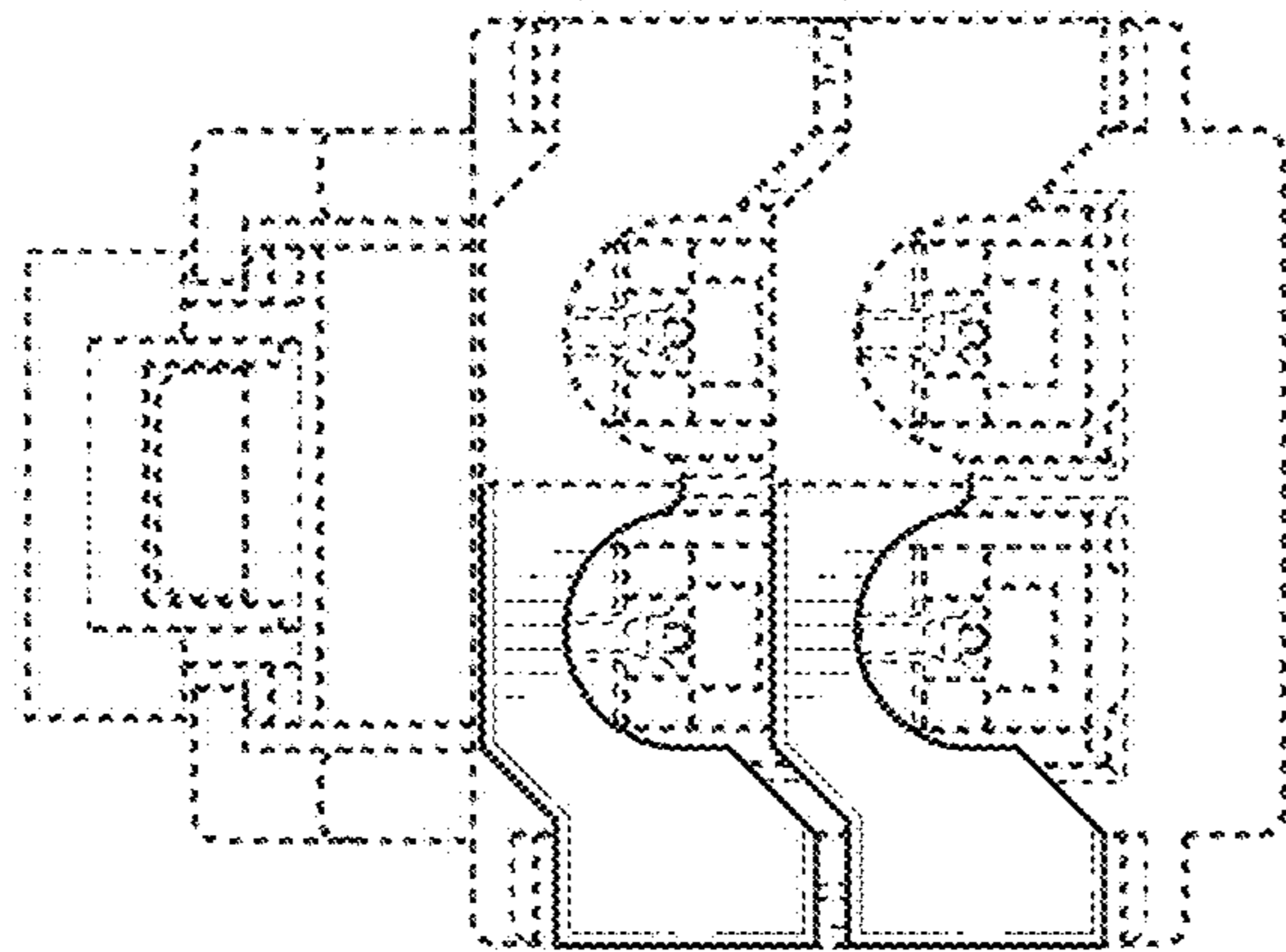


FIG. 5

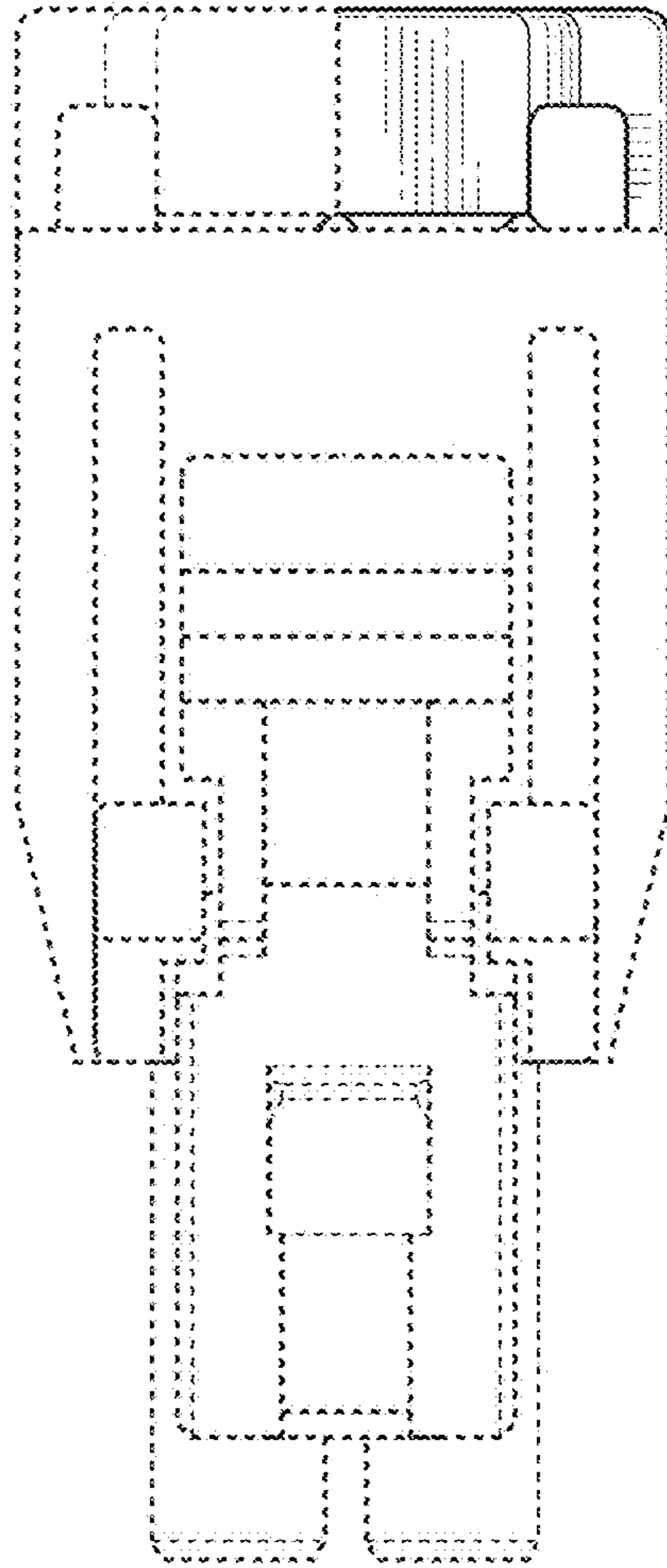


FIG. 6

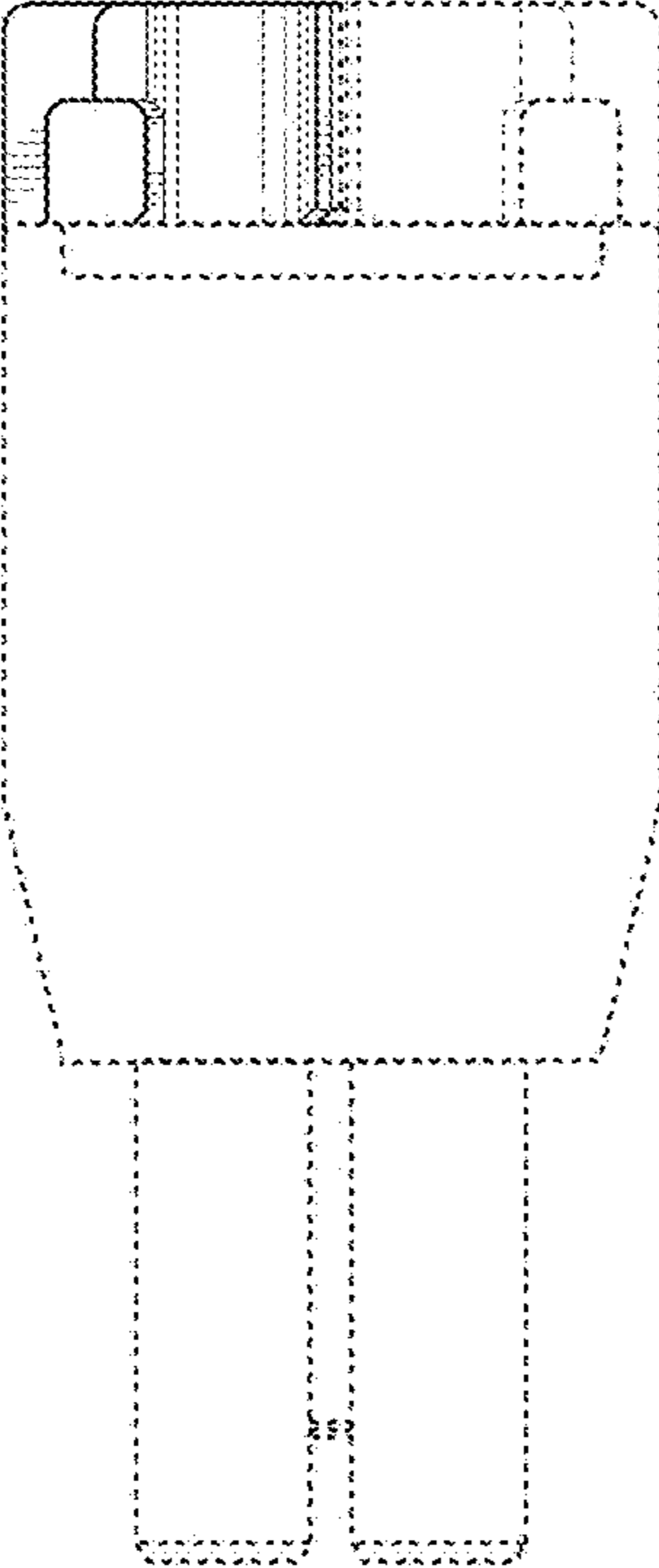


FIG. 7