



US00D791082S

(12) **United States Design Patent** (10) **Patent No.:** **US D791,082 S**  
**Li et al.** (45) **Date of Patent:** **\*\* Jul. 4, 2017**

(54) **CONNECTOR HOUSING**  
(71) Applicant: **Molex, LLC**, Lisle, IL (US)  
(72) Inventors: **Dixon Li**, Shanghai (CN); **Anson Yin**, Shanghai (CN)  
(73) Assignee: **Molex, LLC**, Lisle, IL (US)  
(\*\*) Term: **15 Years**  
(21) Appl. No.: **29/563,131**  
(22) Filed: **May 2, 2016**  
(51) **LOC (10) Cl.** ..... **13-03**  
(52) **U.S. Cl.**  
USPC ..... **D13/147**  
(58) **Field of Classification Search**  
USPC ..... D13/133, 146, 147, 154, 184, 199;  
D14/432, 433, 435, 435.1, 436, 437, 438  
CPC ..... H01R 13/518; H01R 13/6471; H01R  
13/6581; H01R 13/6585; H01R 13/6587;  
H01R 13/6592; H01R 13/6593; H01R  
13/6594; H01R 24/78; H01R 24/60  
See application file for complete search history.

(56) **References Cited**  
U.S. PATENT DOCUMENTS  
D323,485 S \* 1/1992 Ohkura ..... D13/147  
D323,486 S \* 1/1992 Kasugai ..... D13/147  
D425,869 S \* 5/2000 Yokomizo ..... D13/147

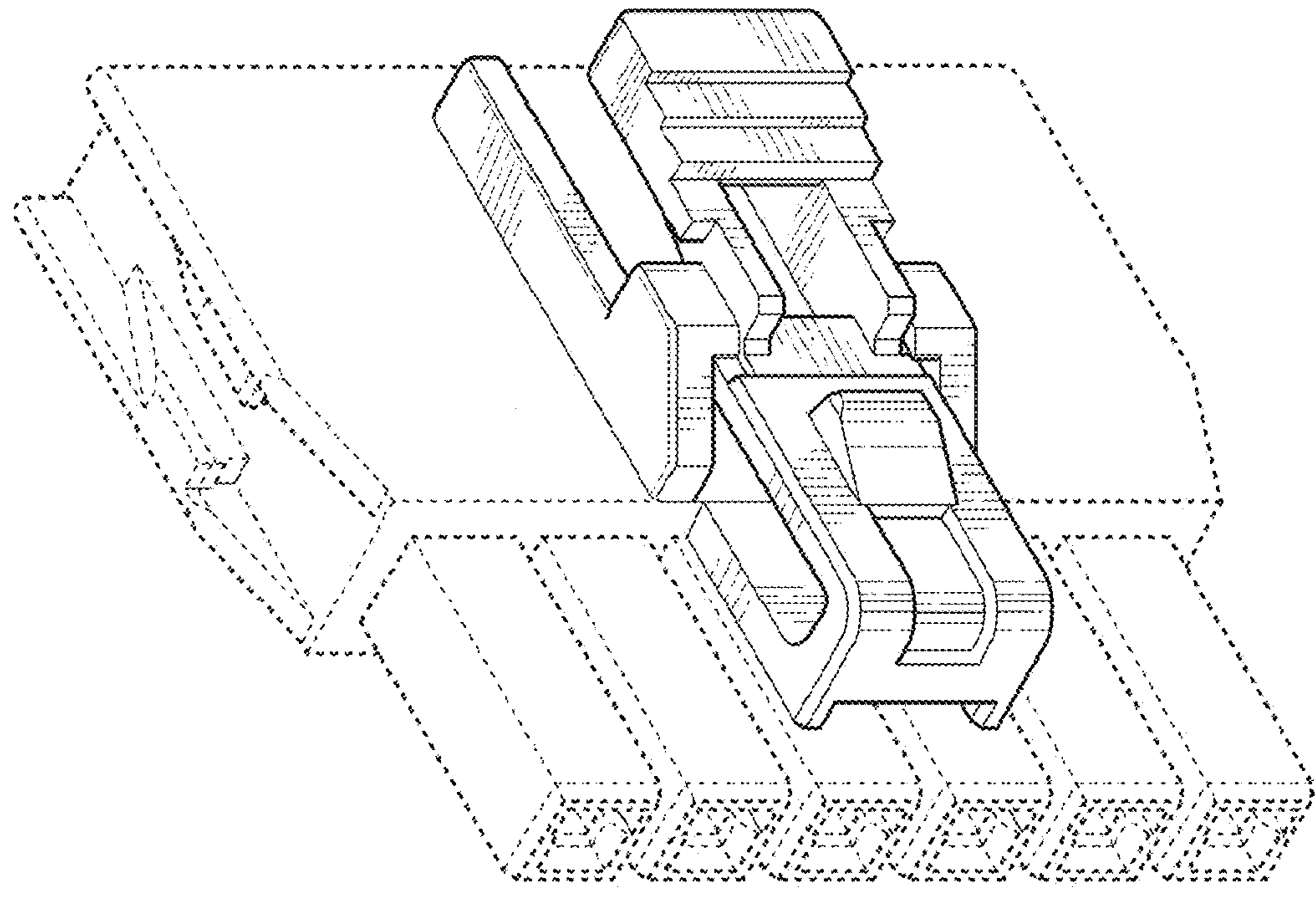
D523,399 S \* 6/2006 Sakamaki ..... D13/147  
D719,098 S \* 12/2014 Endo ..... D13/147  
2017/0005434 A1\* 1/2017 Taguchi ..... H01R 12/75

FOREIGN PATENT DOCUMENTS  
WO 2015/112975 A1 7/2015  
\* cited by examiner  
*Primary Examiner* — Daniel Bui  
(74) *Attorney, Agent, or Firm* — Banner & Witcoff, Ltd.

(57) **CLAIM**  
The ornamental design for connector housing, as shown and described.

**DESCRIPTION**  
FIG. 1 is a rear perspective view of connector housing showing our new design;  
FIG. 2 is a right side view thereof;  
FIG. 3 is a left side view thereof;  
FIG. 4 is a rear view thereof;  
FIG. 5 is a front view thereof;  
FIG. 6 is a top view thereof; and,  
FIG. 7 is a bottom view thereof.  
The broken line immediately adjacent to the shaded area represents an unclaimed boundary of the design. The broken lines showing the remainder of the connector housing are for environmental purposes only and form no part of the claimed design.

**1 Claim, 7 Drawing Sheets**



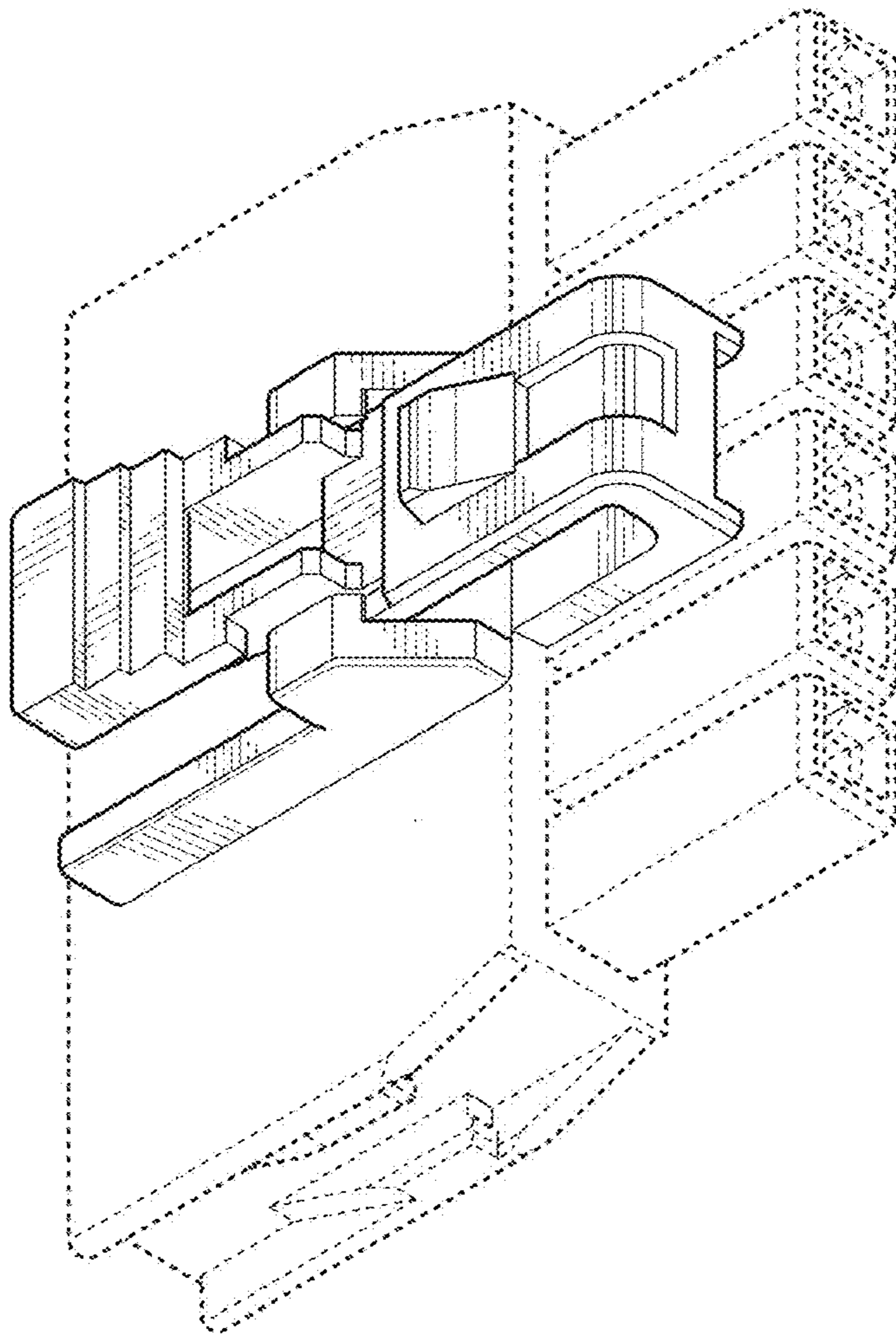


FIG. 1

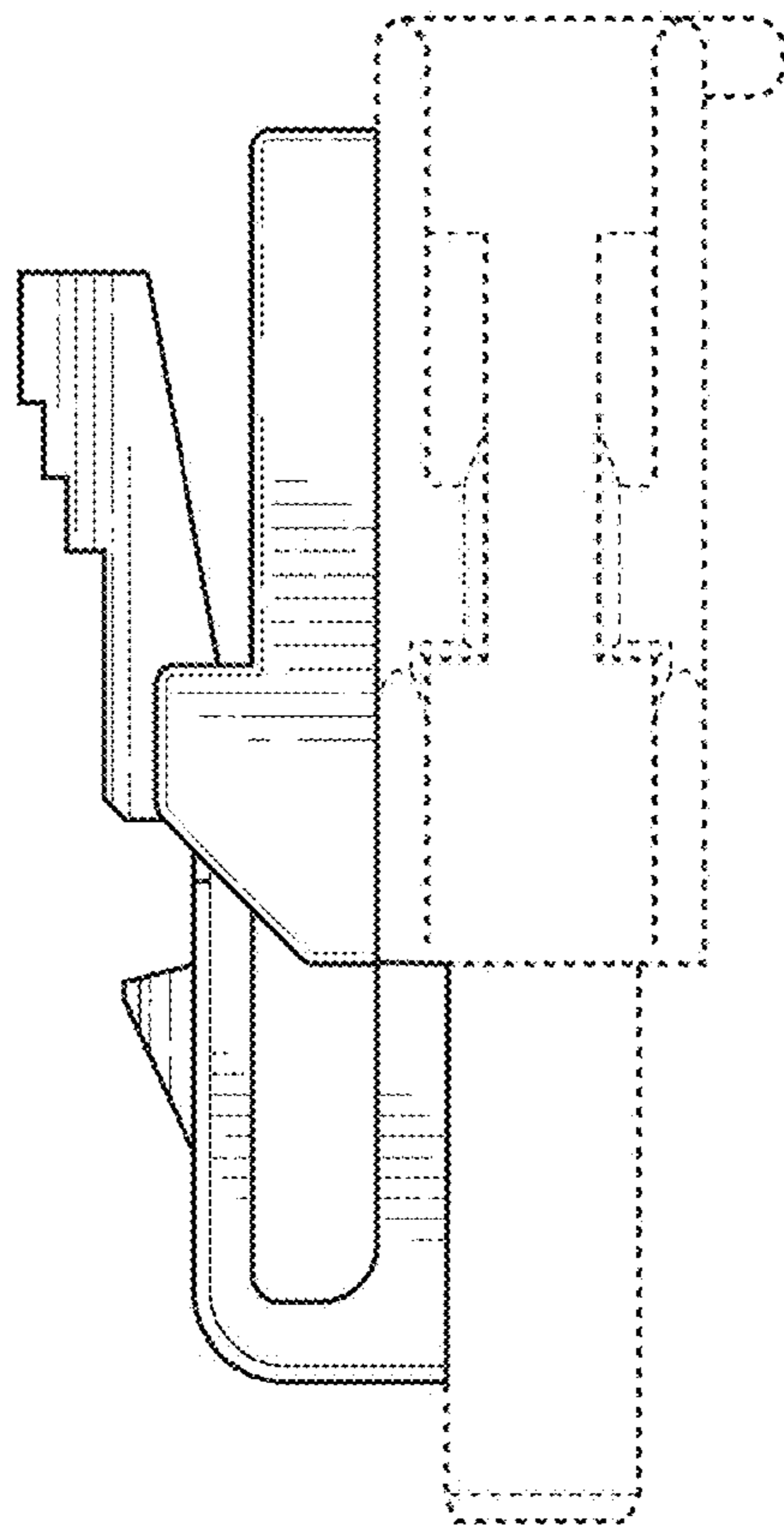


FIG. 2

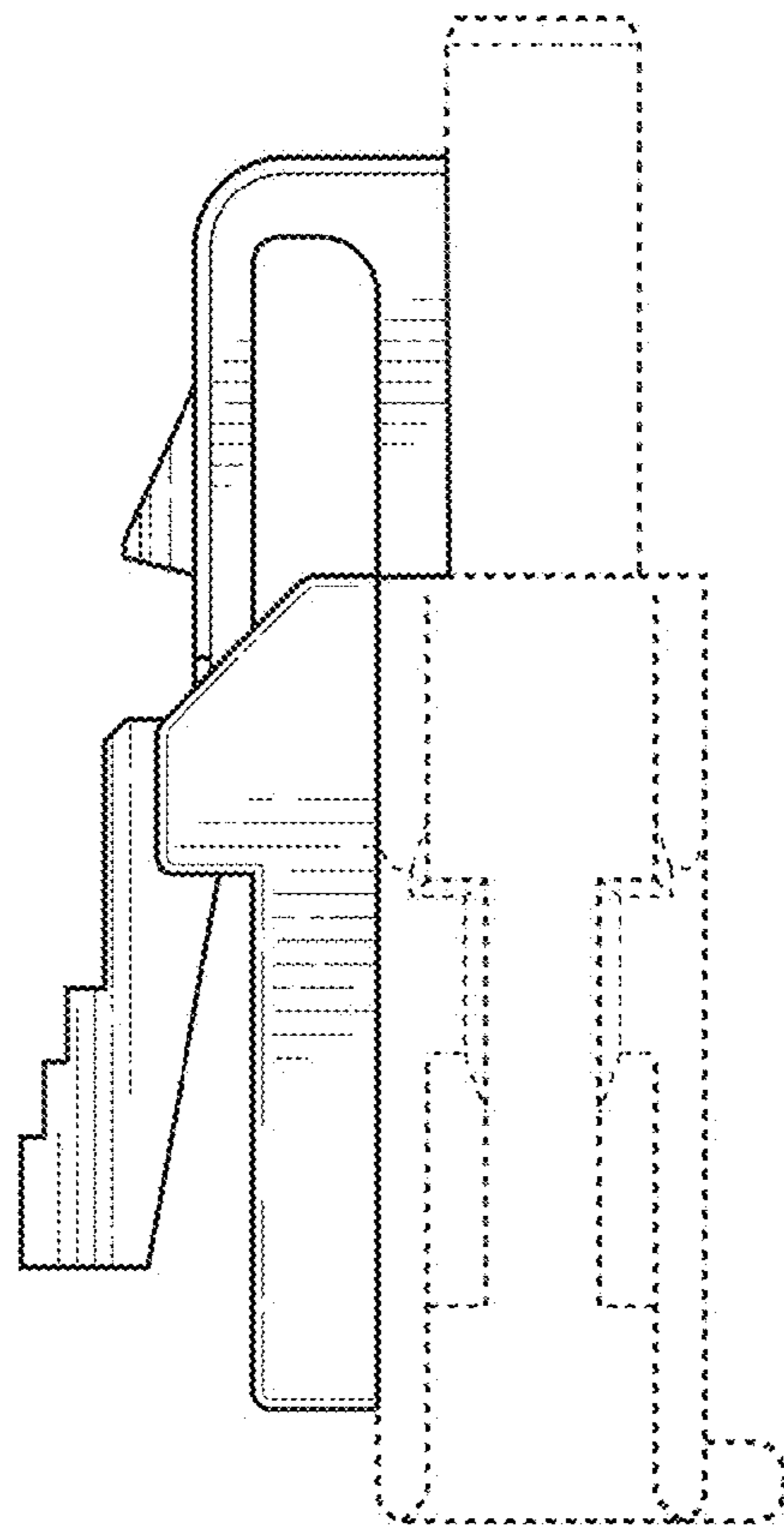


FIG. 3

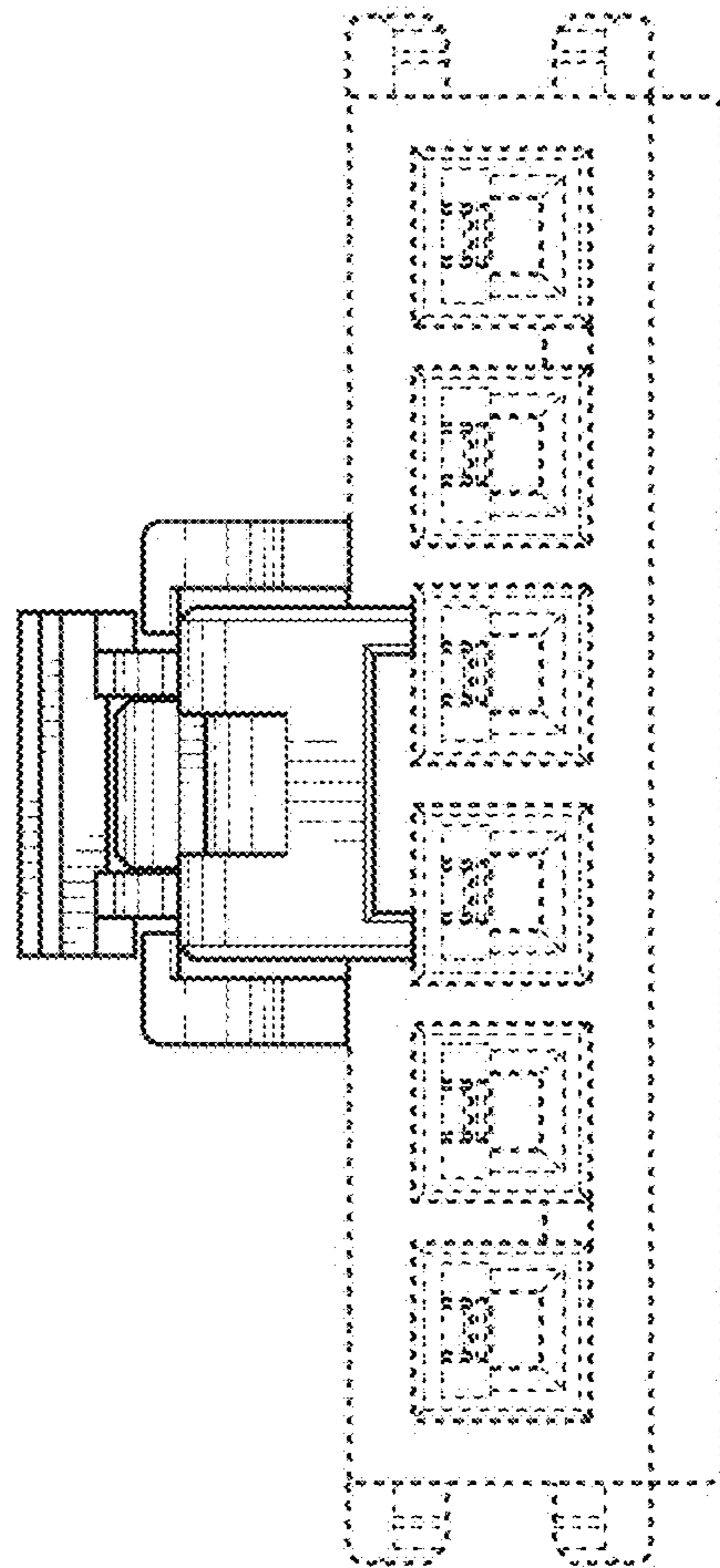


FIG. 4



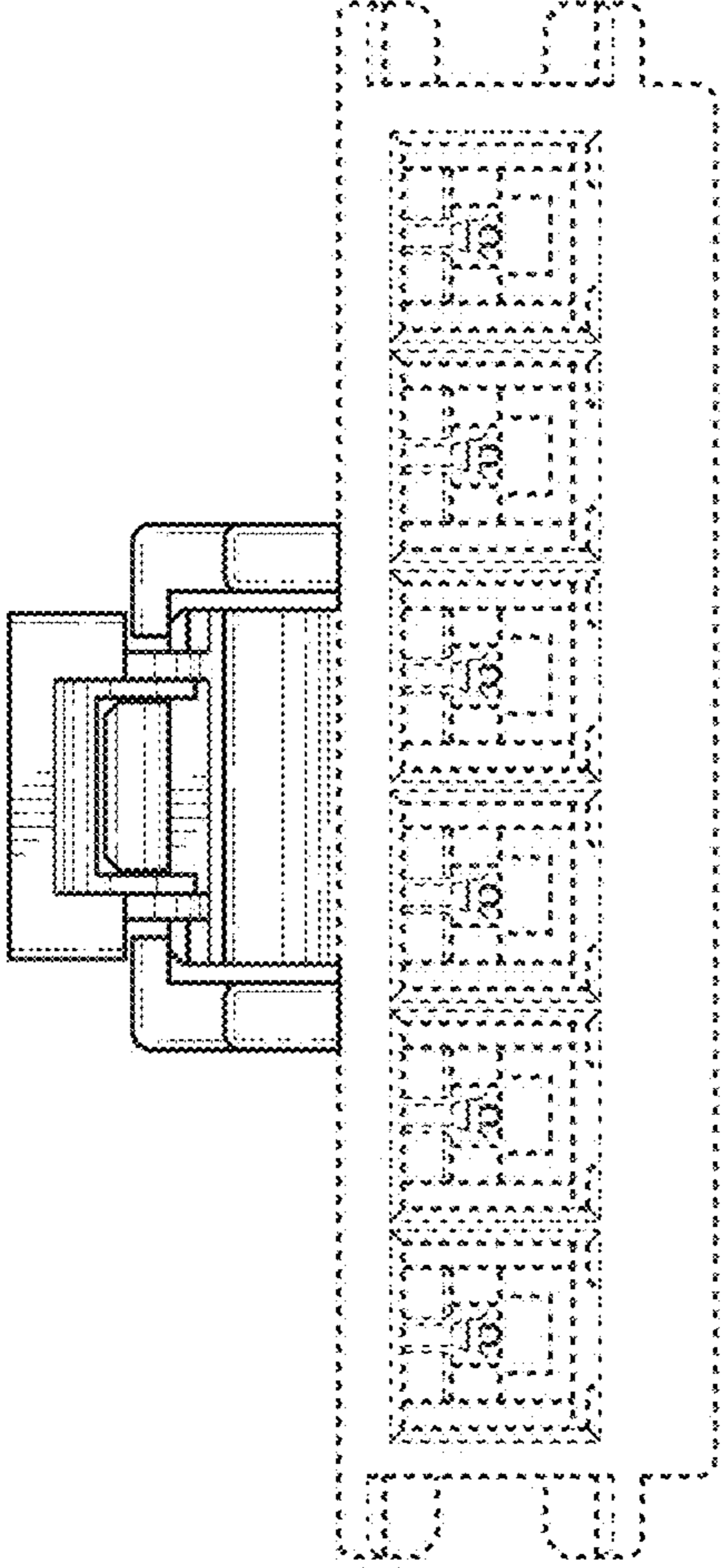


FIG. 5

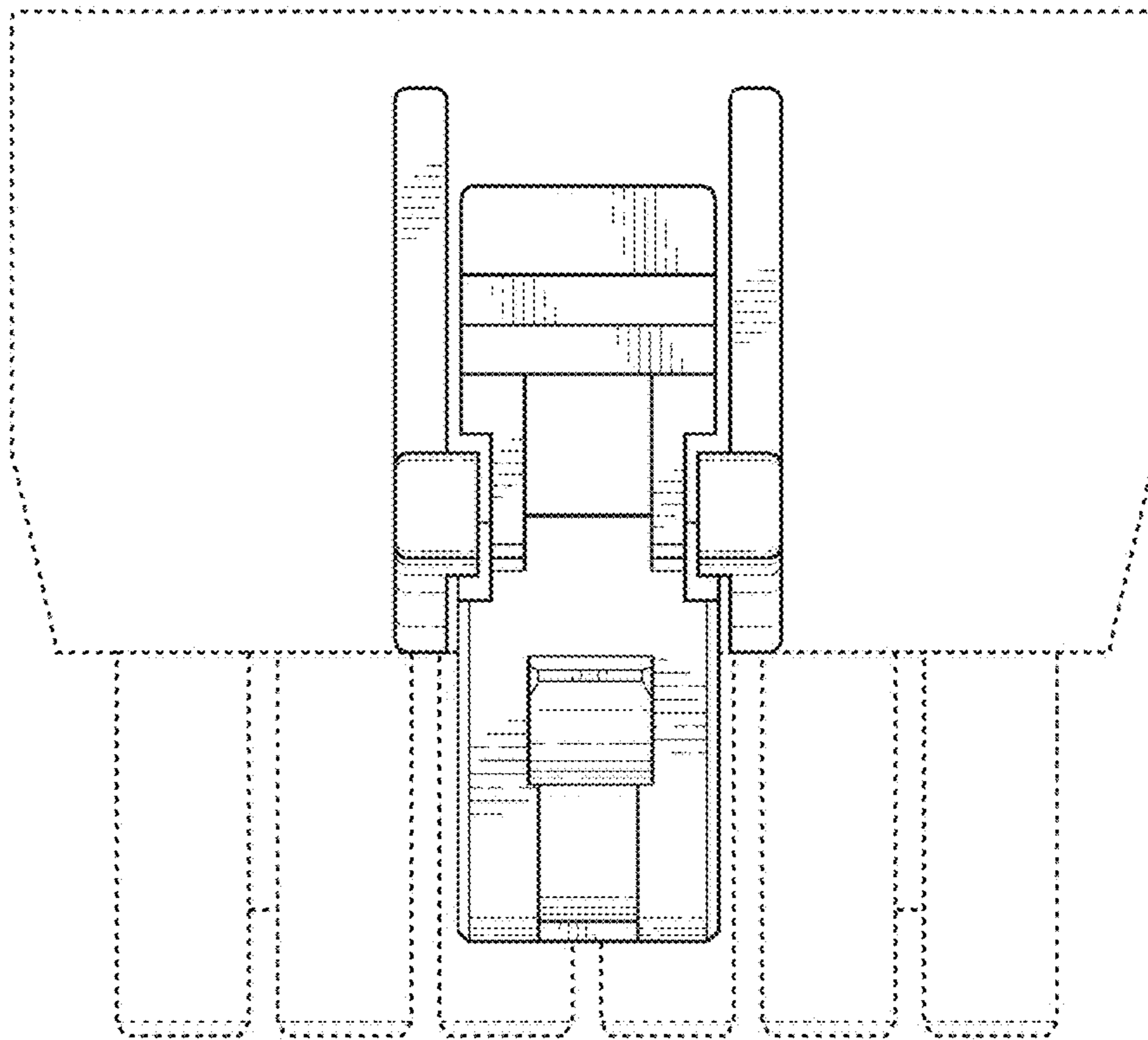


FIG. 6

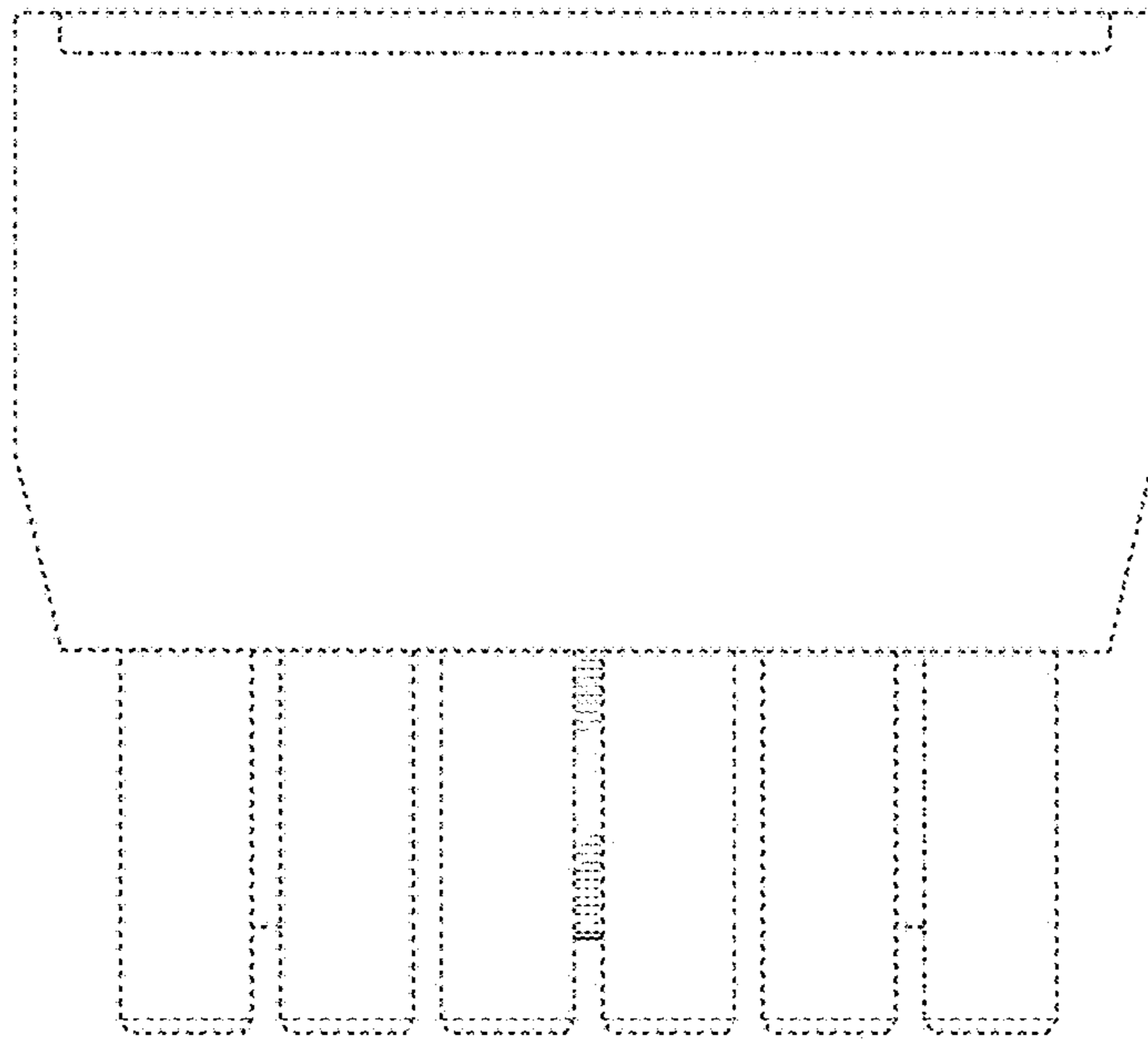


FIG. 7