



US00D791081S

(12) **United States Design Patent**
Ishiguro et al.

(10) **Patent No.:** **US D791,081 S**

(45) **Date of Patent:** **** Jul. 4, 2017**

(54) **CONNECTOR**

(71) Applicant: **Japan Aviation Electronics Industry, Limited**, Tokyo (JP)

(72) Inventors: **Masaki Ishiguro**, Tokyo (JP); **Hideto Shimazu**, Tokyo (JP)

(73) Assignee: **JAPAN AVIATION ELECTRONICS INDUSTRY, LIMITED**, Tokyo (JP)

(**) Term: **15 Years**

(21) Appl. No.: **29/578,250**

(22) Filed: **Sep. 20, 2016**

Related U.S. Application Data

(62) Division of application No. 29/511,014, filed on Dec. 5, 2014, now Pat. No. Des. 777,671.

(30) **Foreign Application Priority Data**

Jun. 16, 2014 (JP) 2014-012949
Jun. 16, 2014 (JP) 2014-012950

(51) **LOC (10) Cl.** **13-03**

(52) **U.S. Cl.**
USPC **D13/133**

(58) **Field of Classification Search**

USPC D13/101, 103, 110, 118, 123, 133-136,
D13/146, 147, 149, 151-156, 173, 184,
D13/199

CPC F16B 7/00; H01R 4/66; H01R 9/00; H01R
9/05; H01R 9/24; H01R 13/62; H01R
13/79; H02G 3/00; H02G 3/02; H02G
3/06; H02G 3/18; G02B 6/3829

See application file for complete search history.

(56) **References Cited**

U.S. PATENT DOCUMENTS

D234,519 S * 3/1975 Rynk D13/155
6,130,983 A * 10/2000 Cheng G02B 6/3829
385/136

D450,298 S * 11/2001 Suzuki D13/133
D496,909 S * 10/2004 D'Addario D13/133
D505,918 S * 6/2005 Conway D13/147
D529,865 S * 10/2006 LaPere D13/133
D633,768 S * 3/2011 Adkins D8/70
D650,742 S * 12/2011 Hosler D13/133
D688,601 S * 8/2013 Cheng D12/114
D744,954 S * 12/2015 Ishiguro D13/147
D753,594 S * 4/2016 Katagiyama D13/133
D777,671 S * 1/2017 Ishiguro D13/133

(Continued)

Primary Examiner — Thomas Johannes

Assistant Examiner — Shawn T Gingrich

(74) *Attorney, Agent, or Firm* — Manabu Kanesaka

(57) **CLAIM**

The ornamental design for a connector, as shown and described.

DESCRIPTION

FIG. 1 is a front view of a connector showing our new design;

FIG. 2 is a rear view thereof;

FIG. 3 is a right side view thereof;

FIG. 4 is a left side view thereof;

FIG. 5 is a plan view thereof;

FIG. 6 is a bottom view thereof;

FIG. 7 is a perspective view showing a front, top and right side thereof;

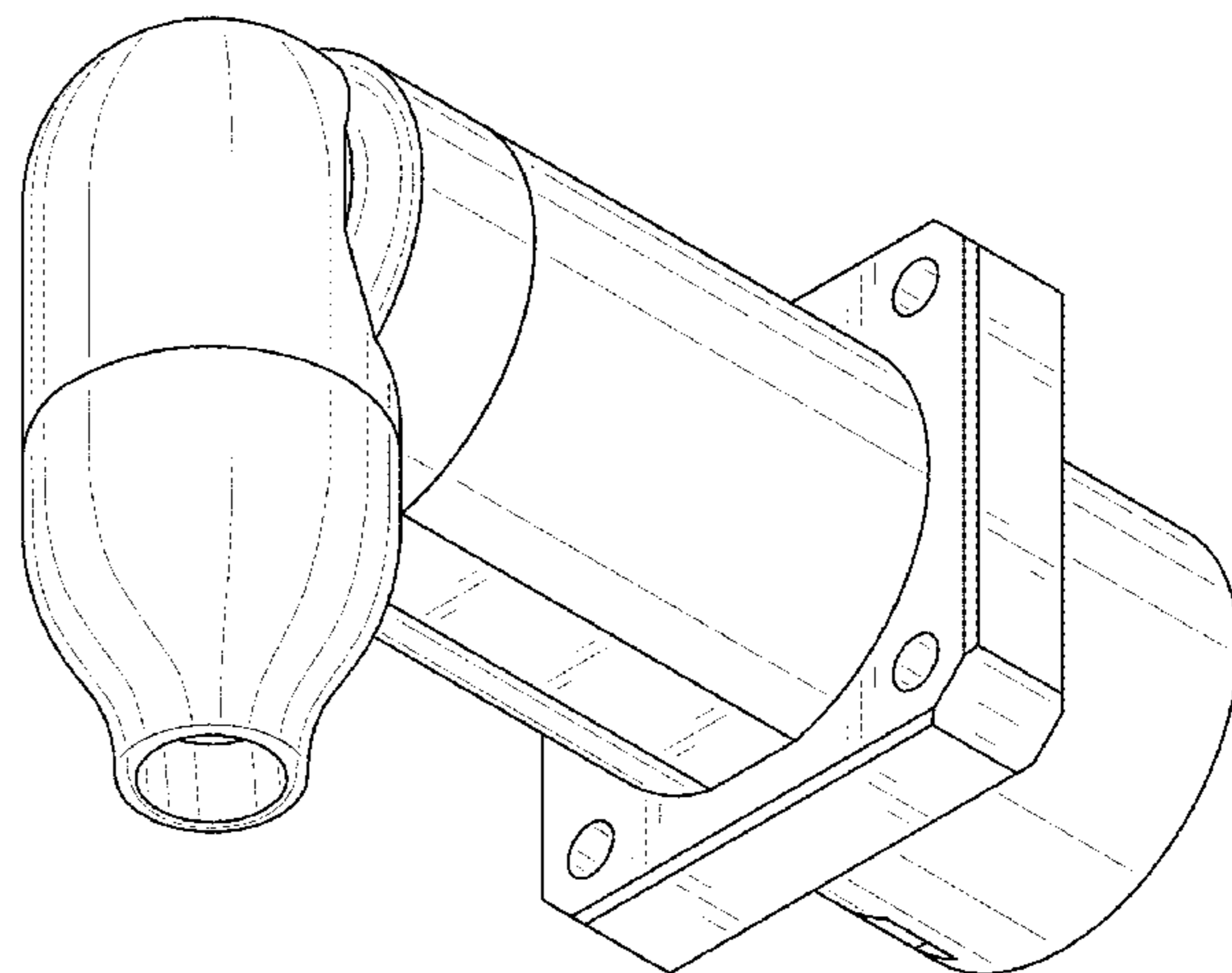
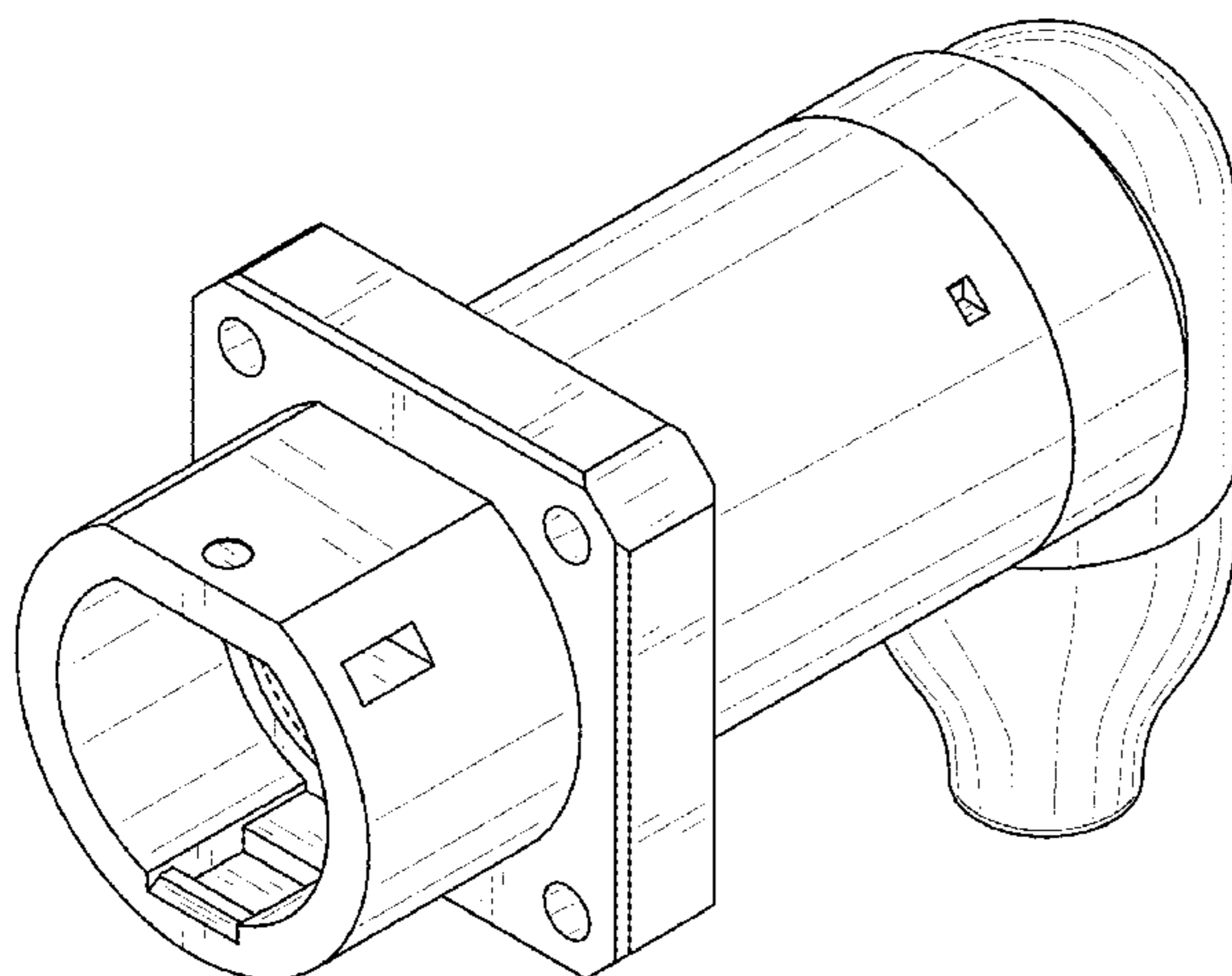
FIG. 8 is a perspective view showing a rear, bottom and left side thereof;

FIG. 9 is a perspective view showing a front, right side and bottom thereof; and,

FIG. 10 is a perspective view showing a rear, left side and top thereof.

The broken lines depict portions of the connector that form no part of claimed design.

1 Claim, 10 Drawing Sheets



(56)

References Cited

U.S. PATENT DOCUMENTS

9,553,395 B2 * 1/2017 Nagasaki H01R 13/506
2009/0010018 A1 * 1/2009 Orozco A61B 1/00117
362/554
2016/0252681 A1 * 9/2016 Ishiguro G02B 6/3829

* cited by examiner

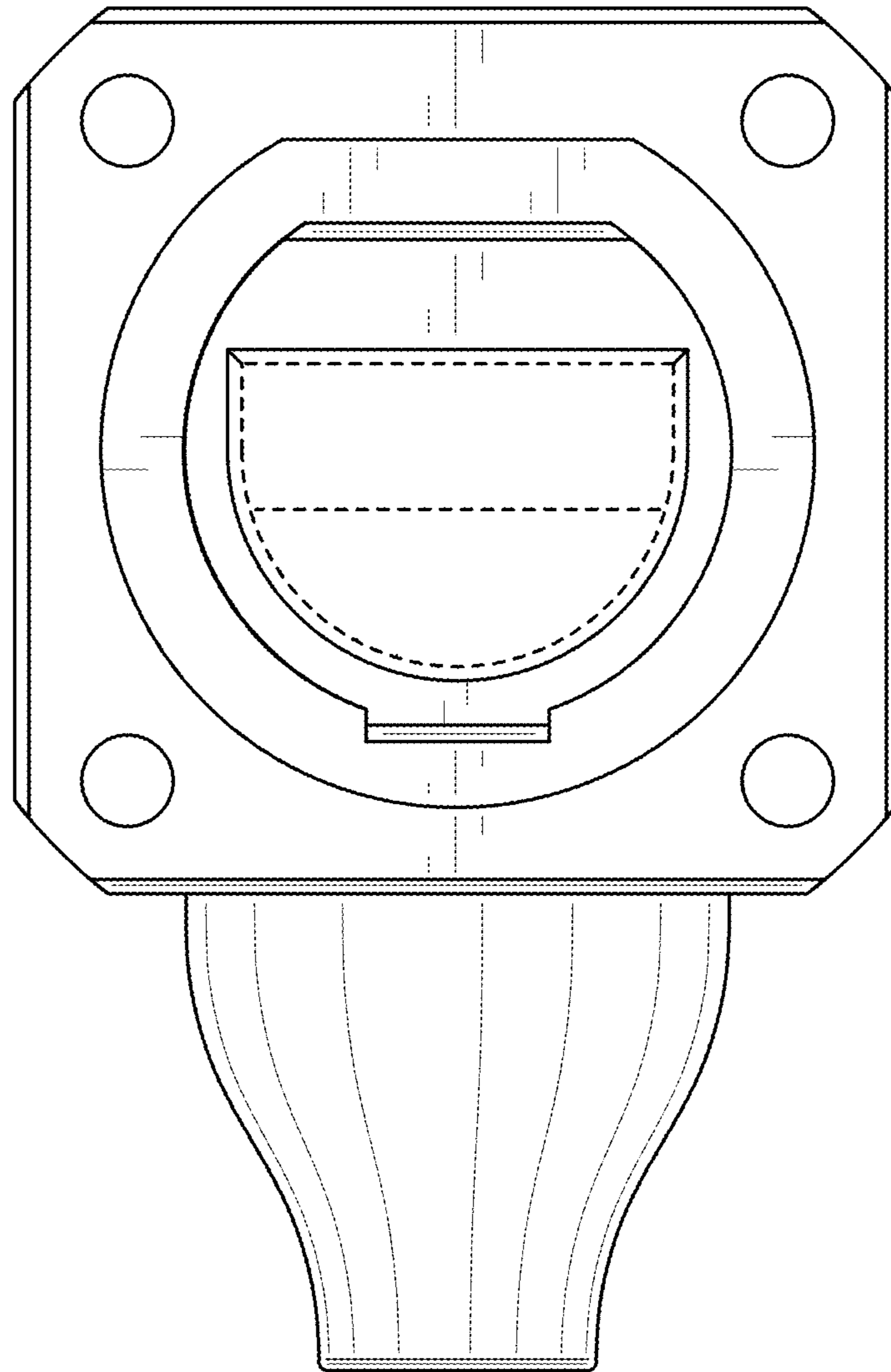


FIG. 1

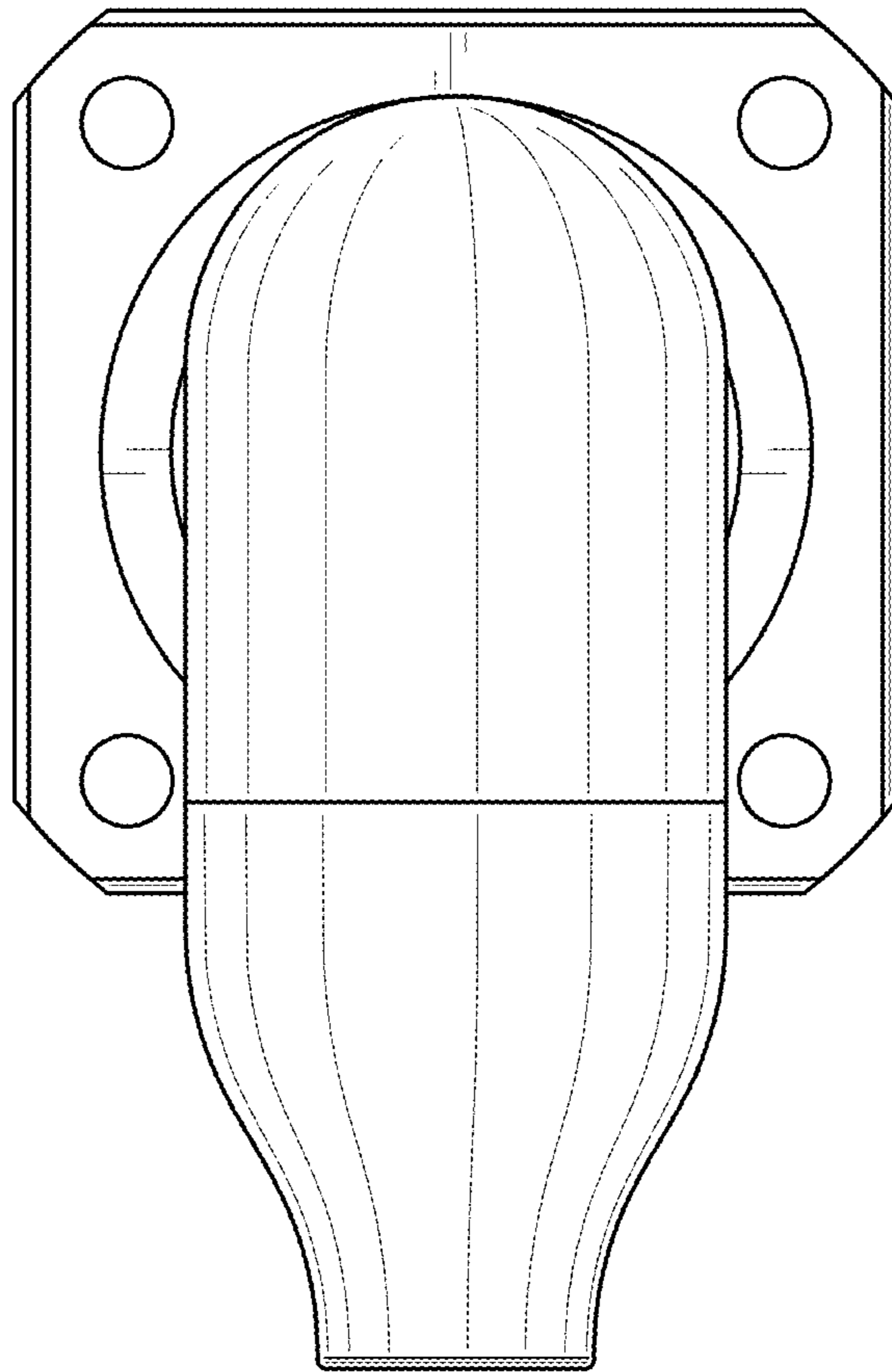


FIG. 2

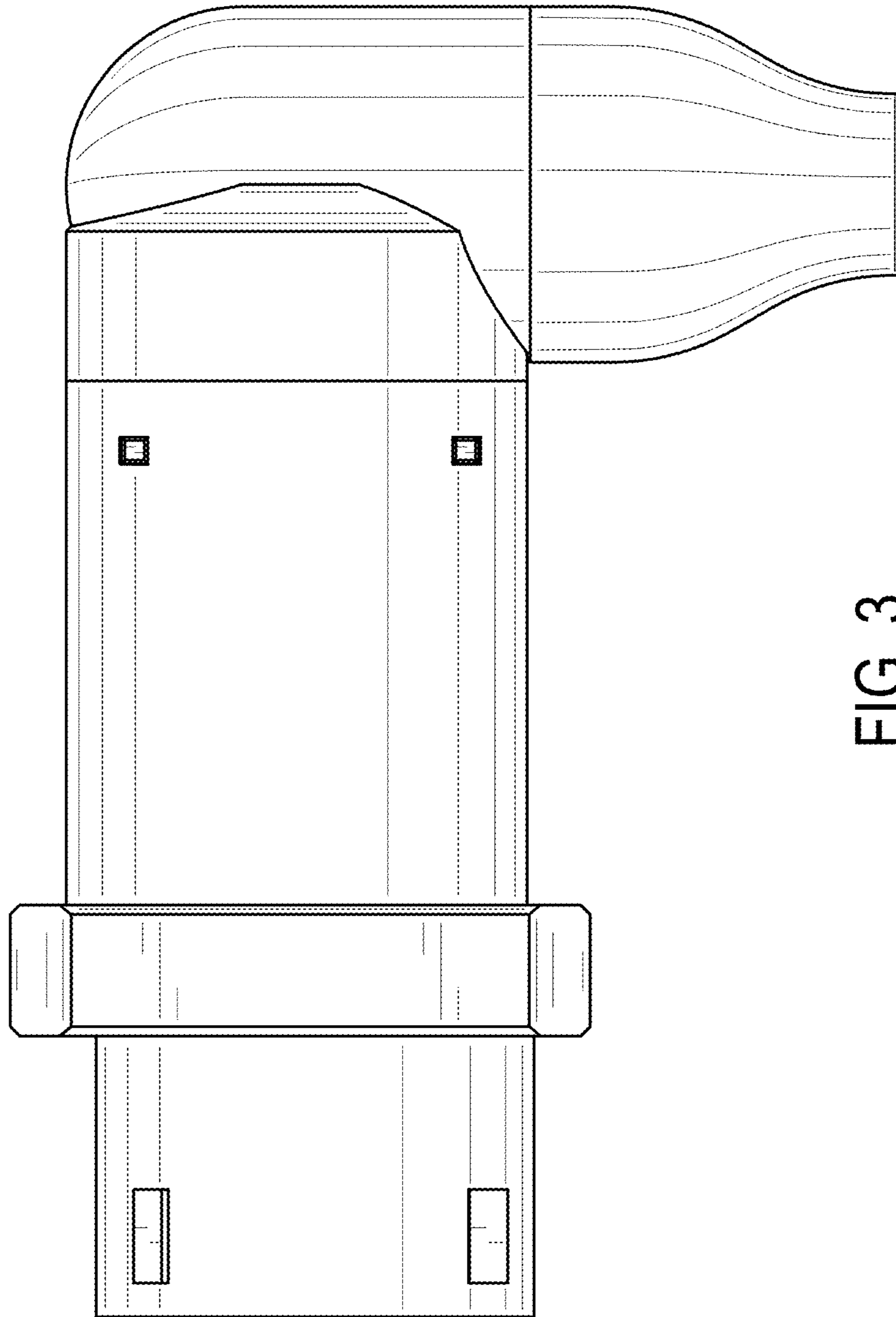


FIG. 3

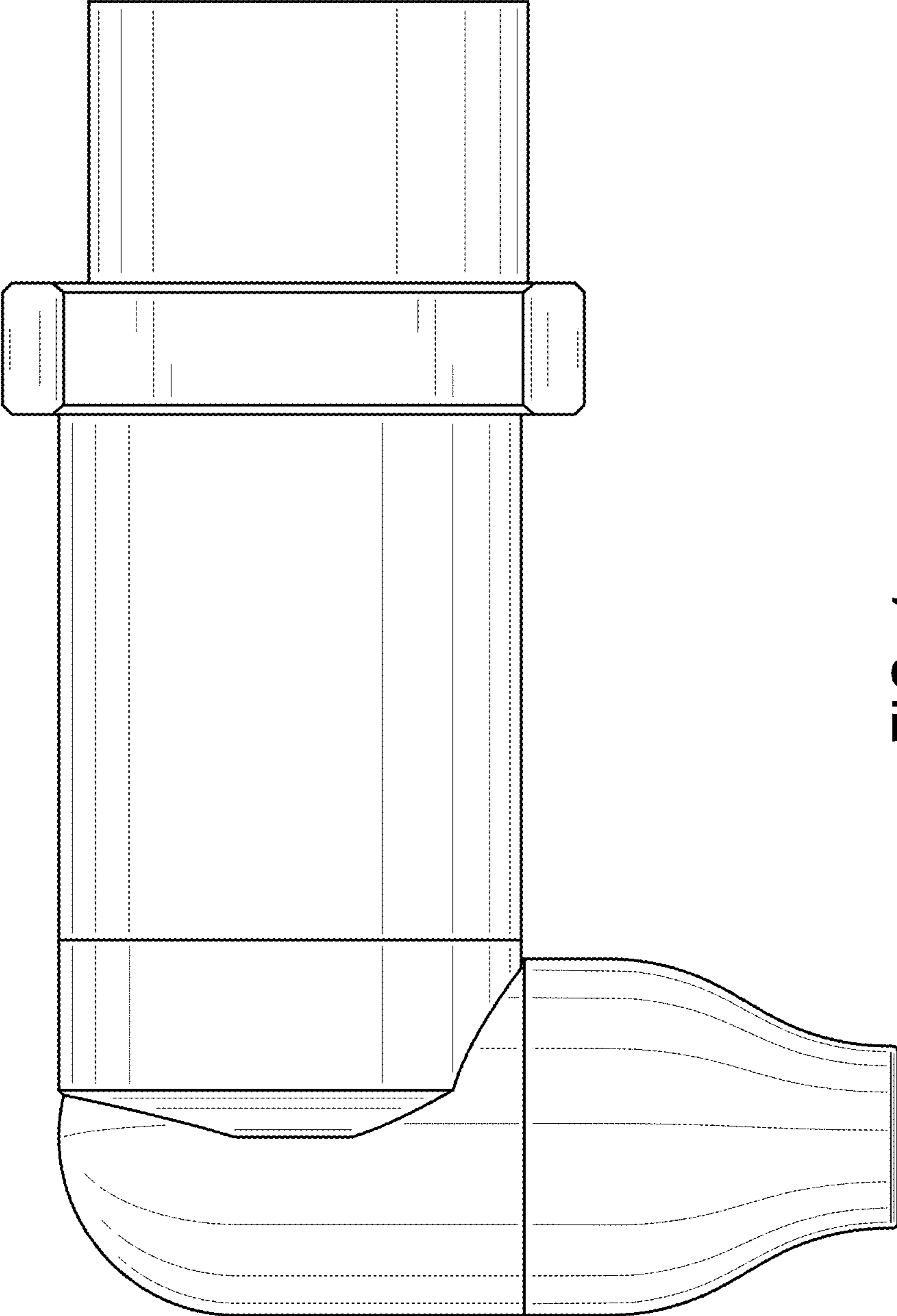


FIG. 4

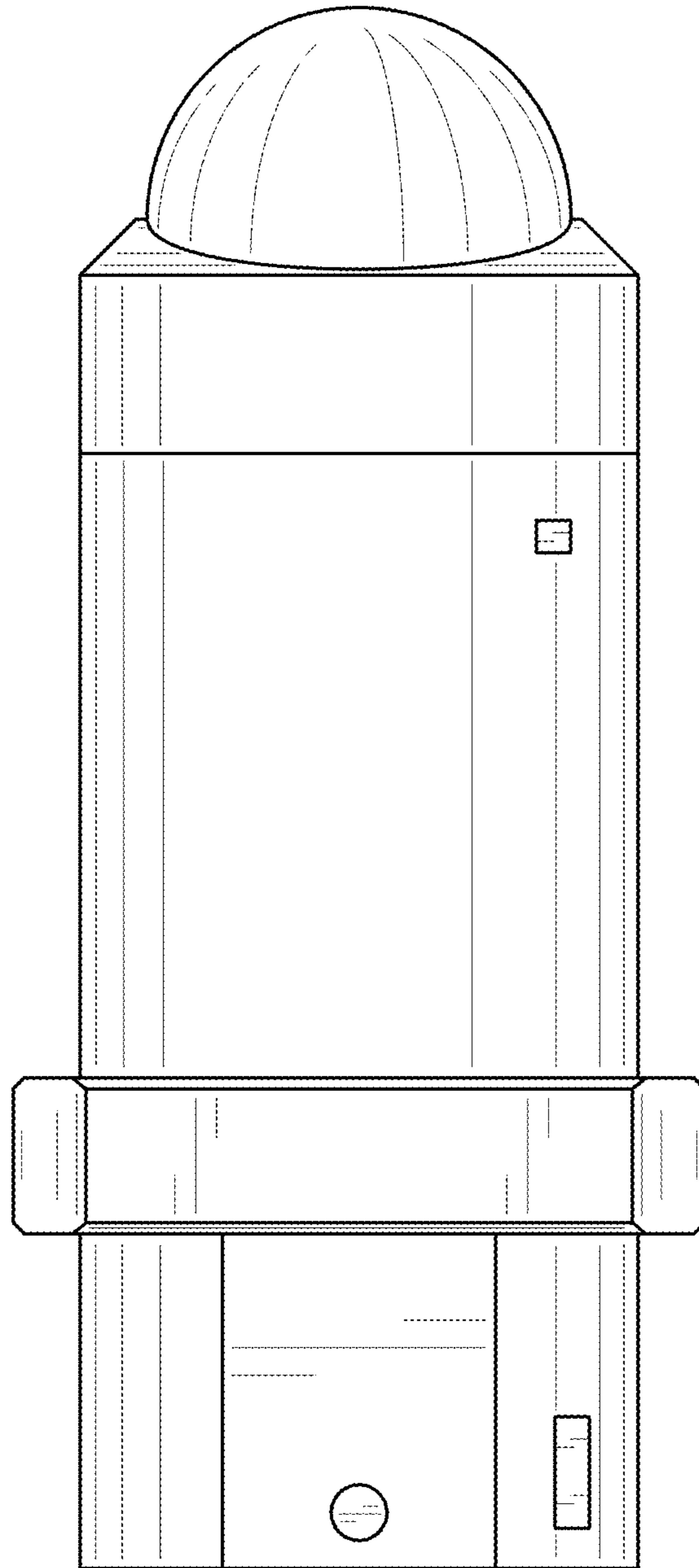


FIG. 5

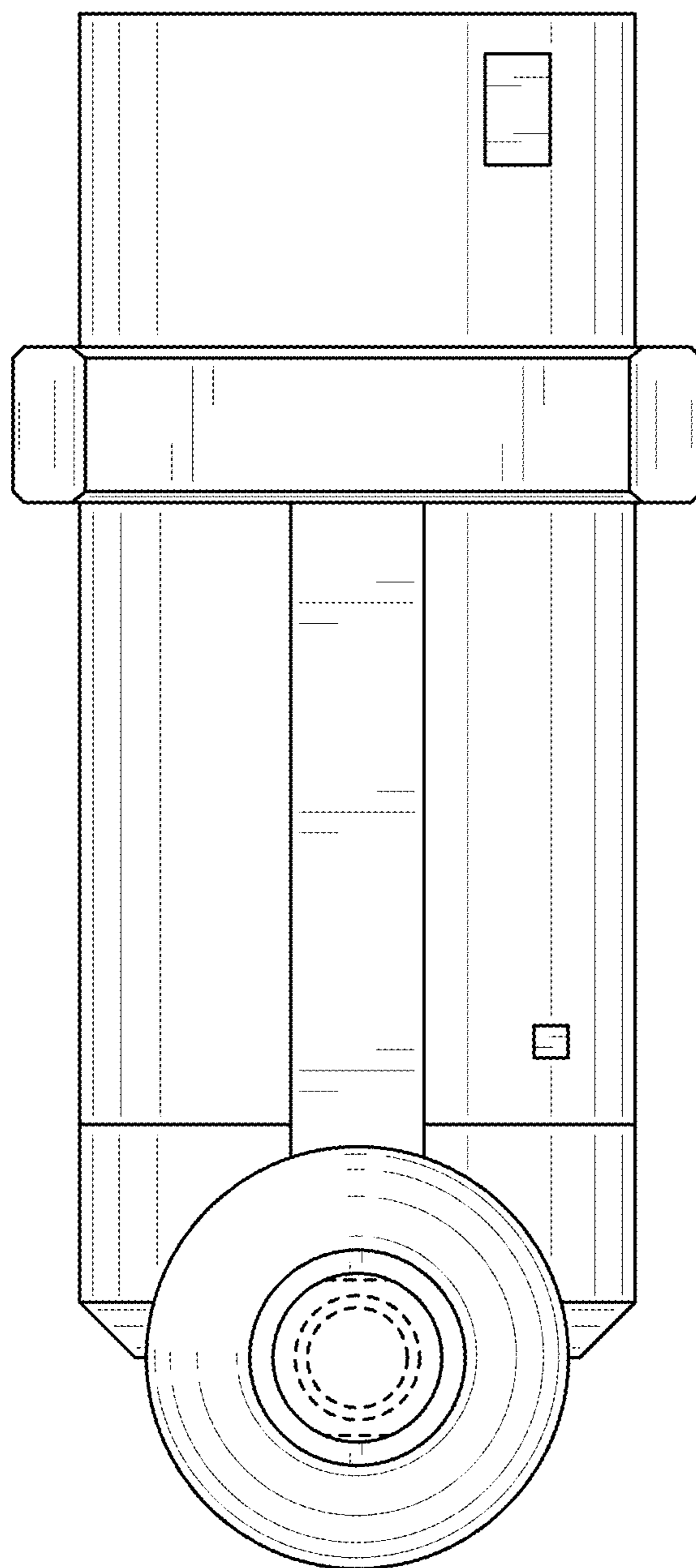


FIG. 6

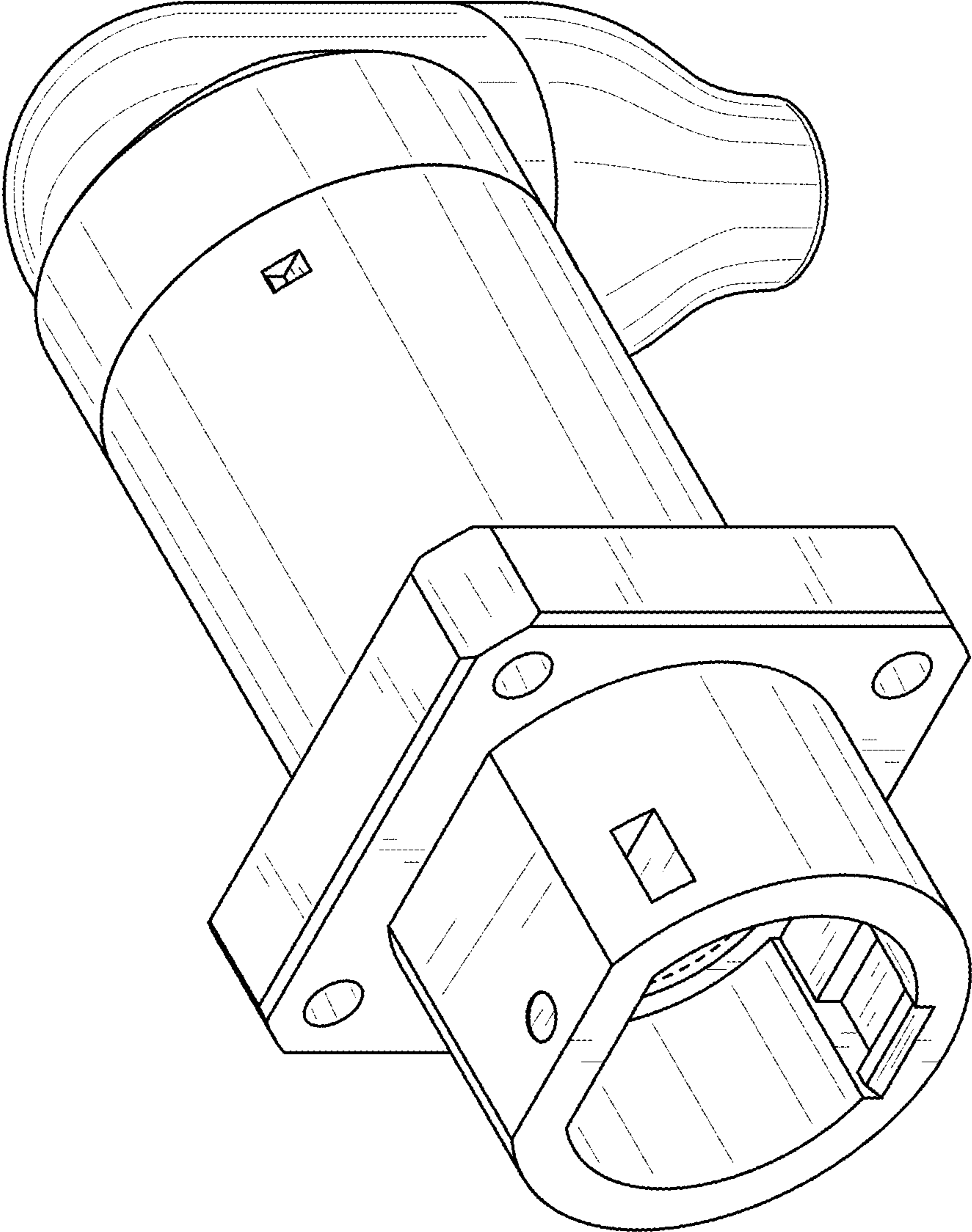


FIG. 7

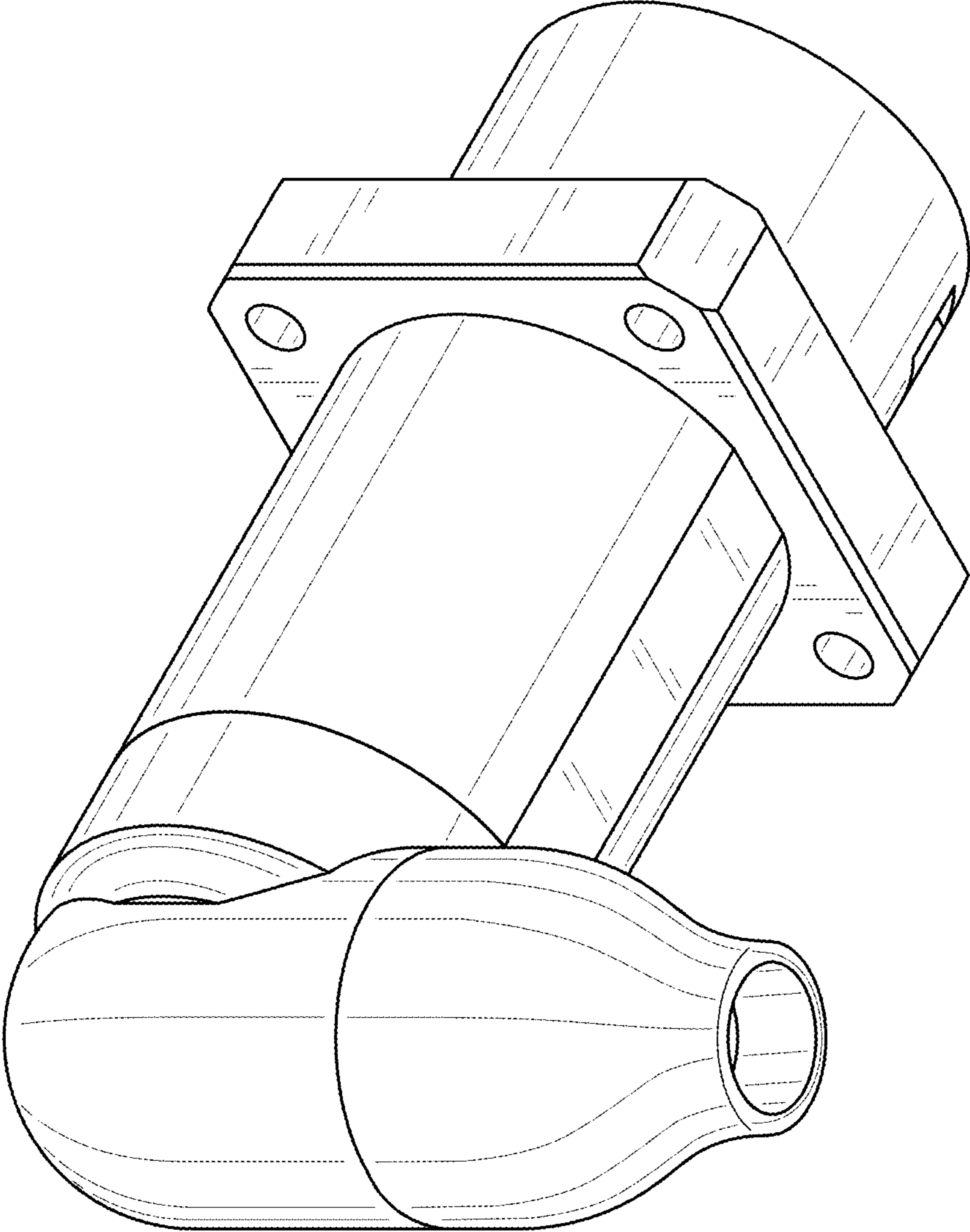


FIG. 8

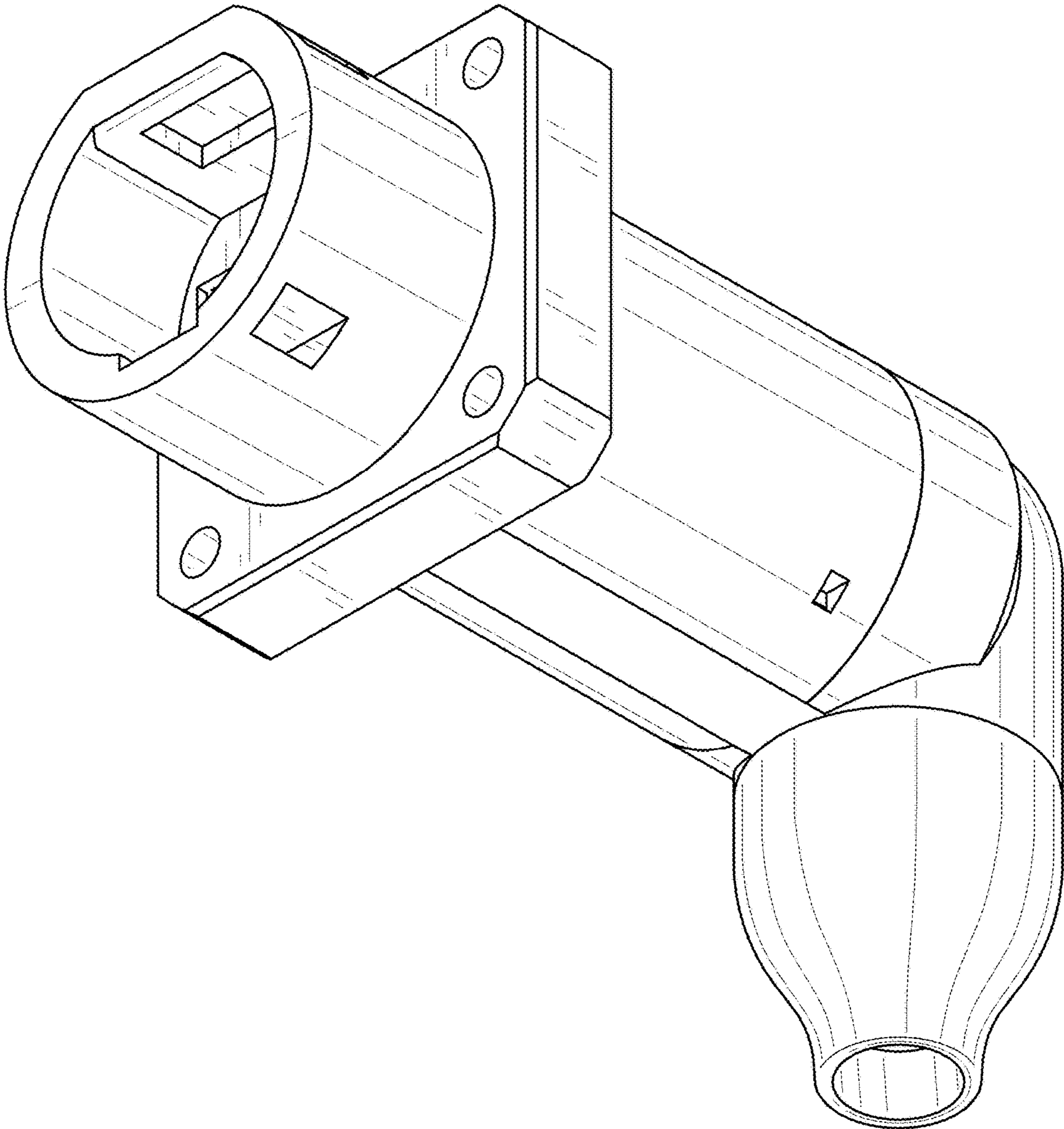


FIG. 9

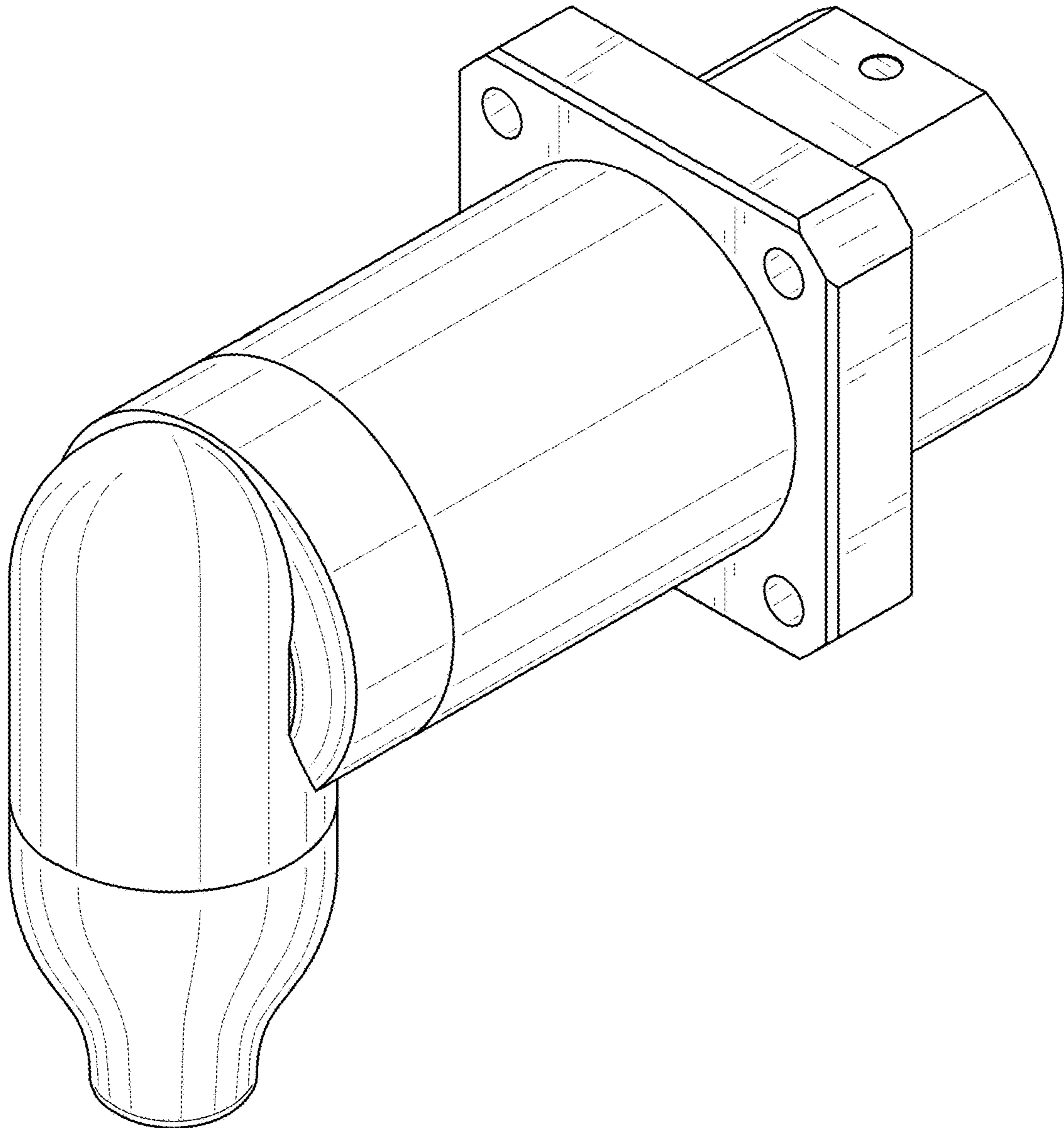


FIG. 10