



US00D791080S

(12) **United States Design Patent** (10) **Patent No.:** **US D791,080 S**  
**Li et al.** (45) **Date of Patent:** **\*\* Jul. 4, 2017**

(54) **CONNECTOR HOUSING**  
(71) Applicant: **Molex, LLC**, Lisle, IL (US)  
(72) Inventors: **Dixon Li**, Shanghai (CN); **Anson Yin**, Shanghai (CN)  
(73) Assignee: **Molex, LLC**, Lisle, IL (US)  
(\*\*) Term: **15 Years**

D613,250 S \* 4/2010 Barrios ..... D13/147  
D615,039 S \* 5/2010 Mancini ..... D13/133  
D623,597 S \* 9/2010 Barrios ..... D13/147  
D652,796 S \* 1/2012 Smith ..... D13/133

(21) Appl. No.: **29/563,133**  
(22) Filed: **May 2, 2016**

**FOREIGN PATENT DOCUMENTS**

WO 2015/112975 A1 7/2015  
\* cited by examiner

(51) **LOC (10) Cl.** ..... **13-03**  
(52) **U.S. Cl.**  
USPC ..... **D13/133; D13/154**  
(58) **Field of Classification Search**  
USPC ..... D13/133, 146, 147, 154, 155, 156, 184, D13/199  
CPC .... H01R 13/02; H01R 13/436; H01R 13/502; H01R 13/504; H01R 13/506; H01R 13/514; H01R 13/5208; H01R 13/627; H01R 13/639; H01R 13/6581; H01R 24/20; H01R 24/28  
See application file for complete search history.

*Primary Examiner* — Daniel Bui  
(74) *Attorney, Agent, or Firm* — Banner & Witcoff, Ltd.

(57) **CLAIM**

The ornamental design for a connector housing, as shown and described.

**DESCRIPTION**

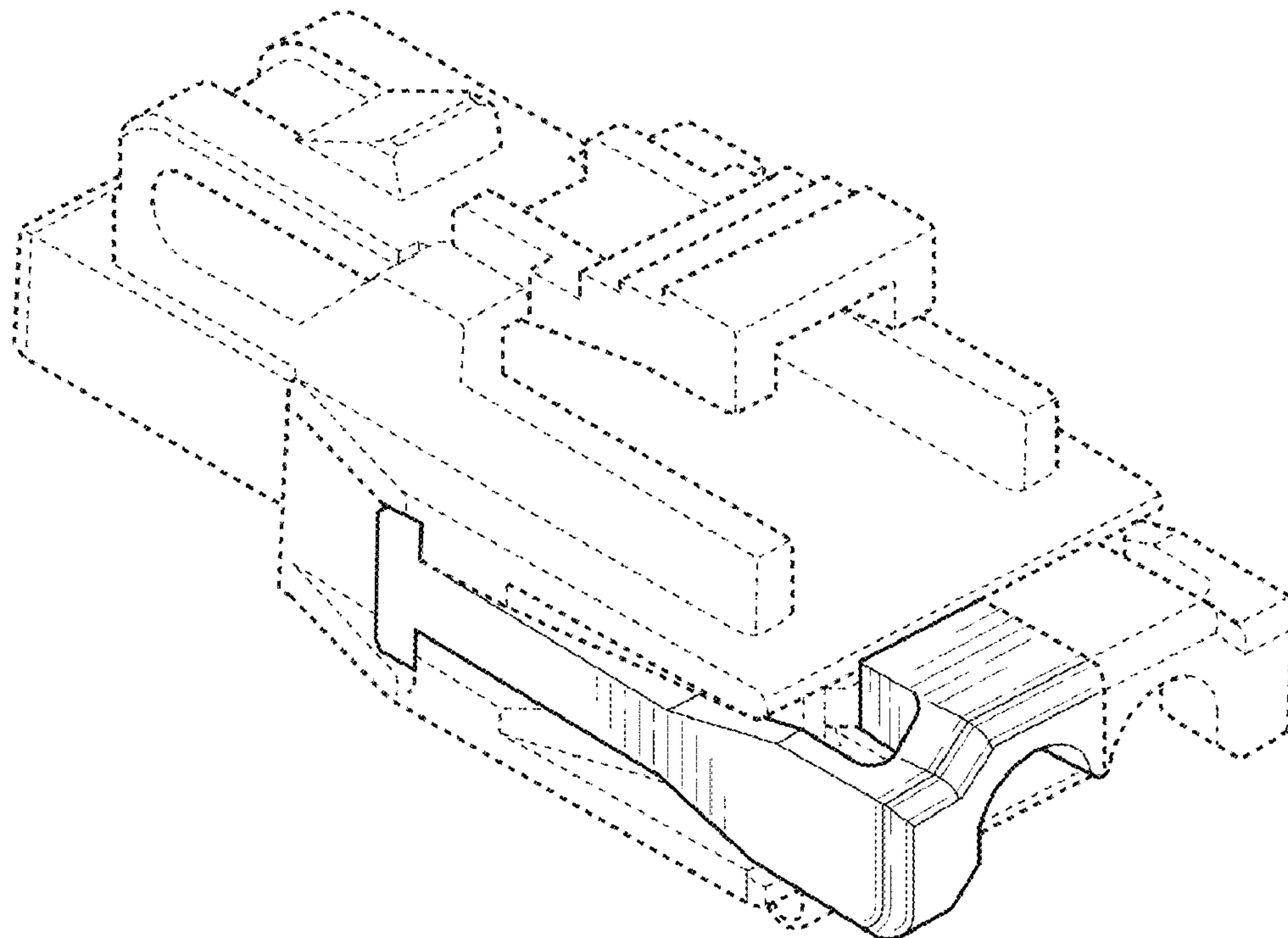
FIG. 1 is a front perspective view of connector housing showing our new design;  
FIG. 2 is a left side view thereof;  
FIG. 3 is a right side view thereof;  
FIG. 4 is a rear view thereof;  
FIG. 5 is a front view thereof;  
FIG. 6 is a top view thereof; and,  
FIG. 7 is a bottom view thereof.

The broken lines immediately adjacent to the shaded area represent unclaimed boundaries of the design. The broken lines showing the remainder of the connector housing are for environmental purposes only and form no part of the claimed design.

(56) **References Cited**  
**U.S. PATENT DOCUMENTS**

D208,551 S \* 9/1967 Hammond ..... D13/133  
D251,906 S \* 5/1979 Frantz ..... D13/147  
D612,807 S \* 3/2010 Mancini ..... D13/133

**1 Claim, 7 Drawing Sheets**



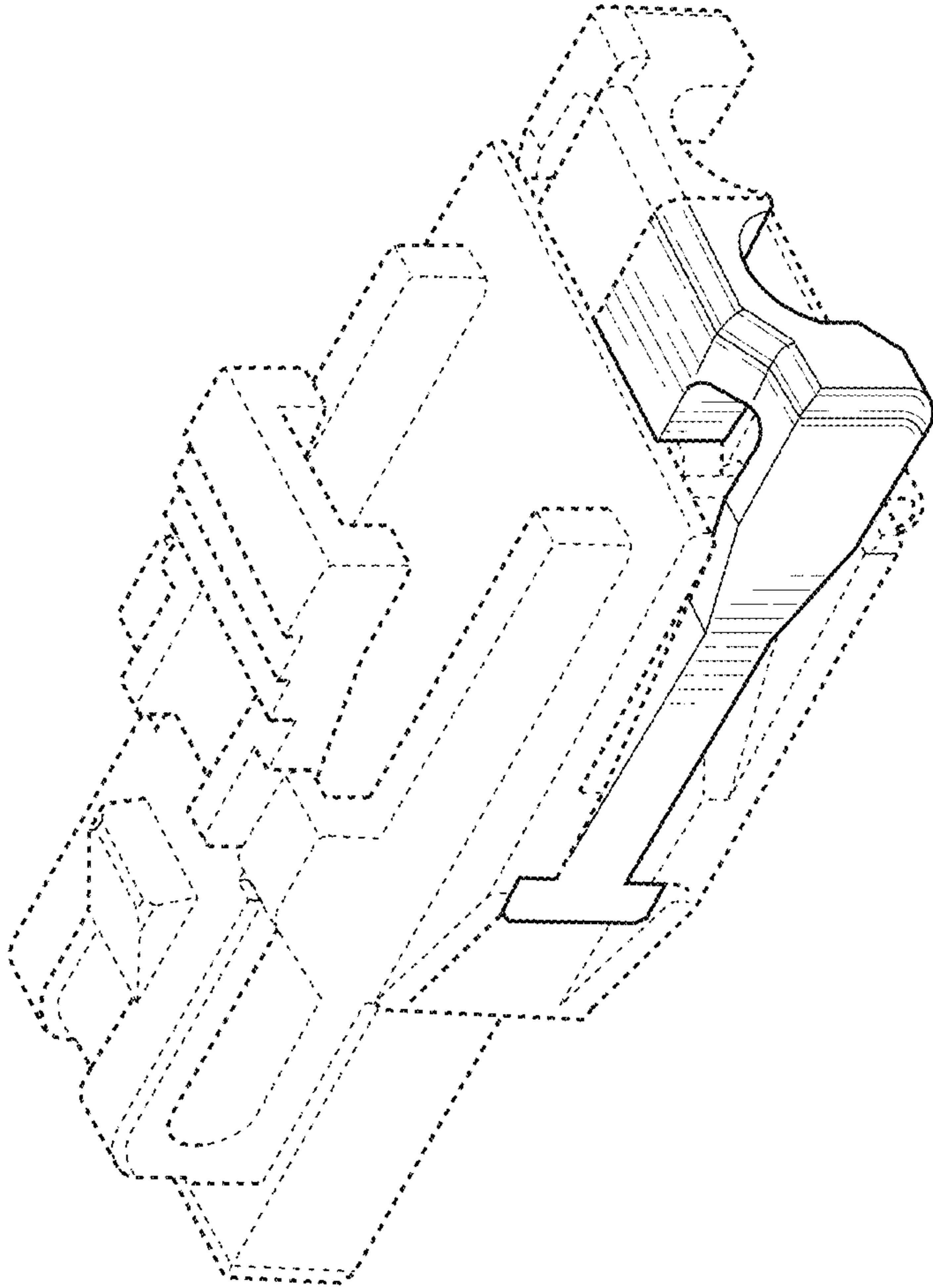


FIG. 1

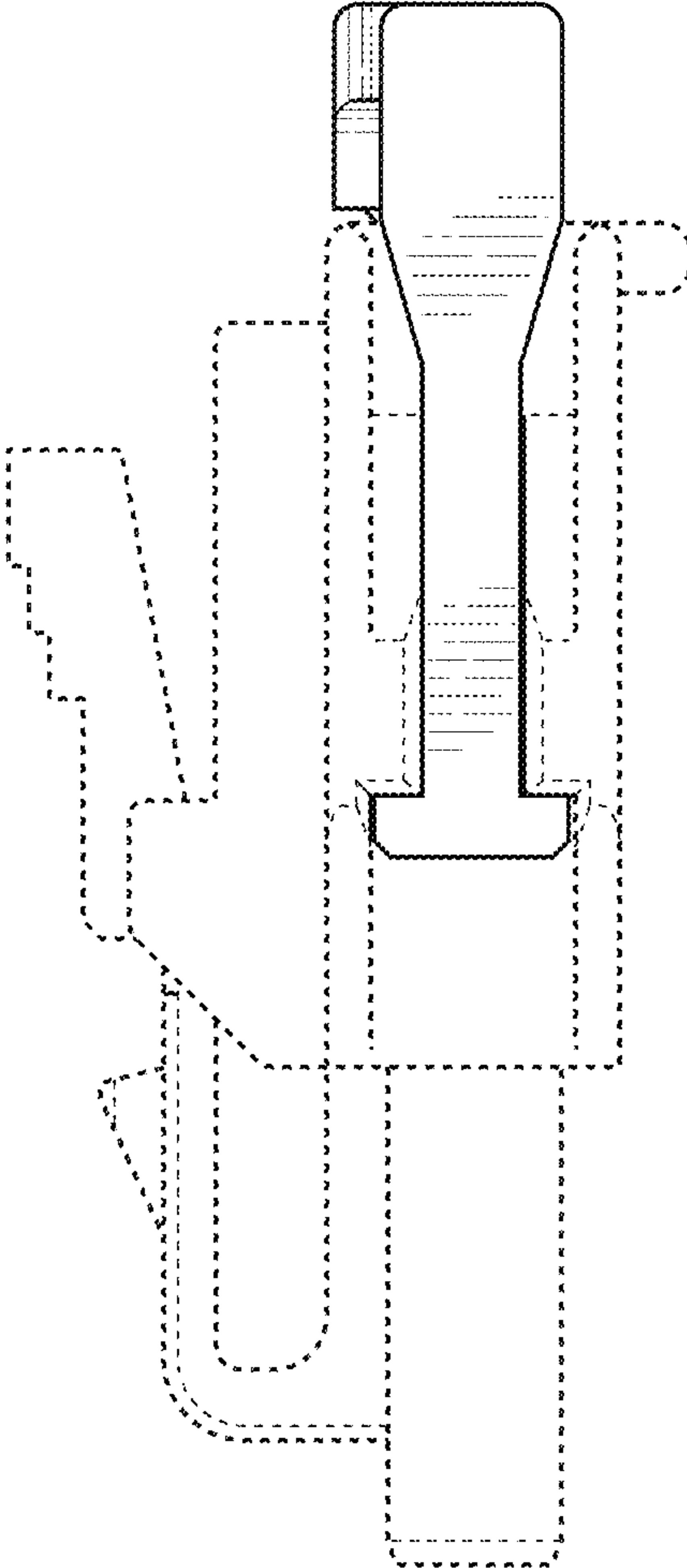


FIG. 2

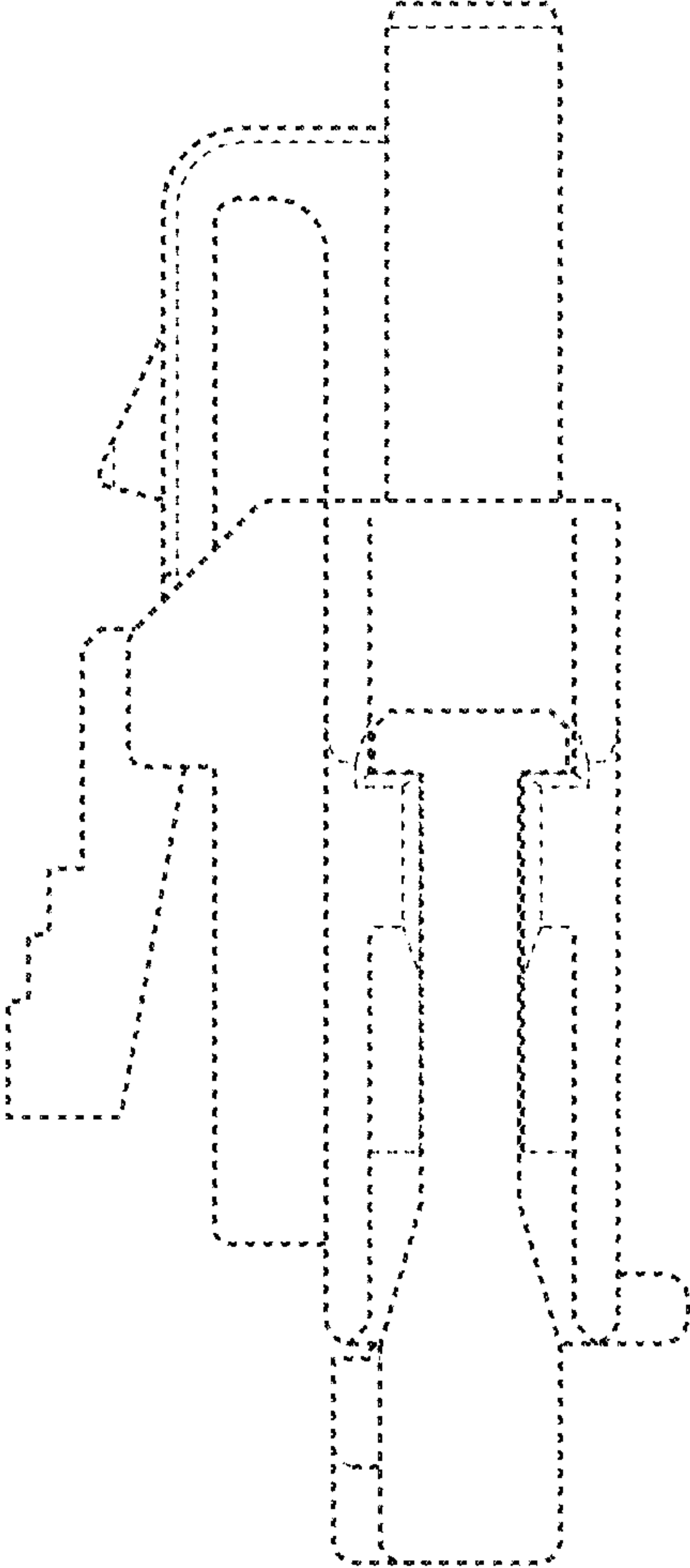


FIG. 3

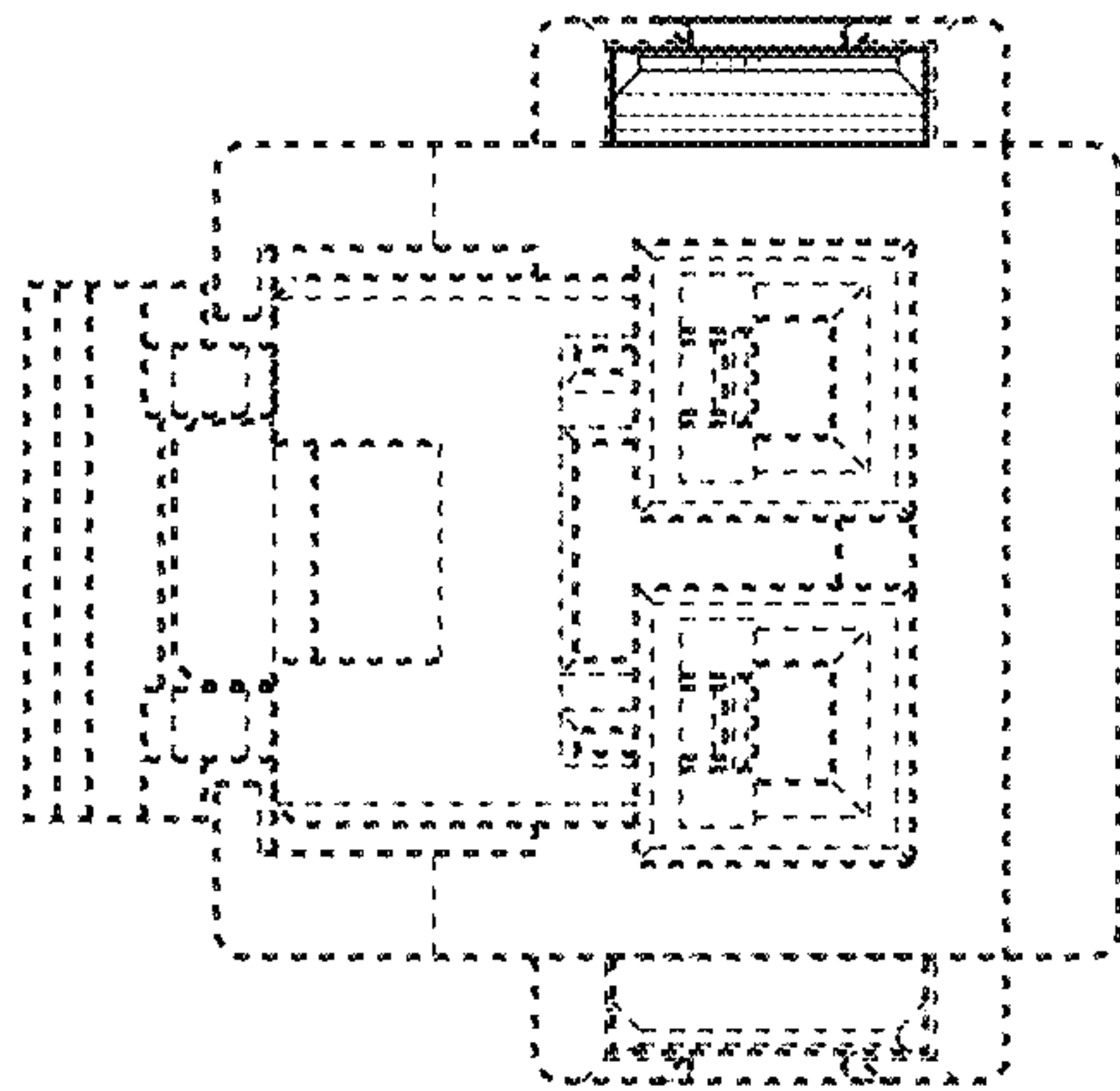


FIG. 4

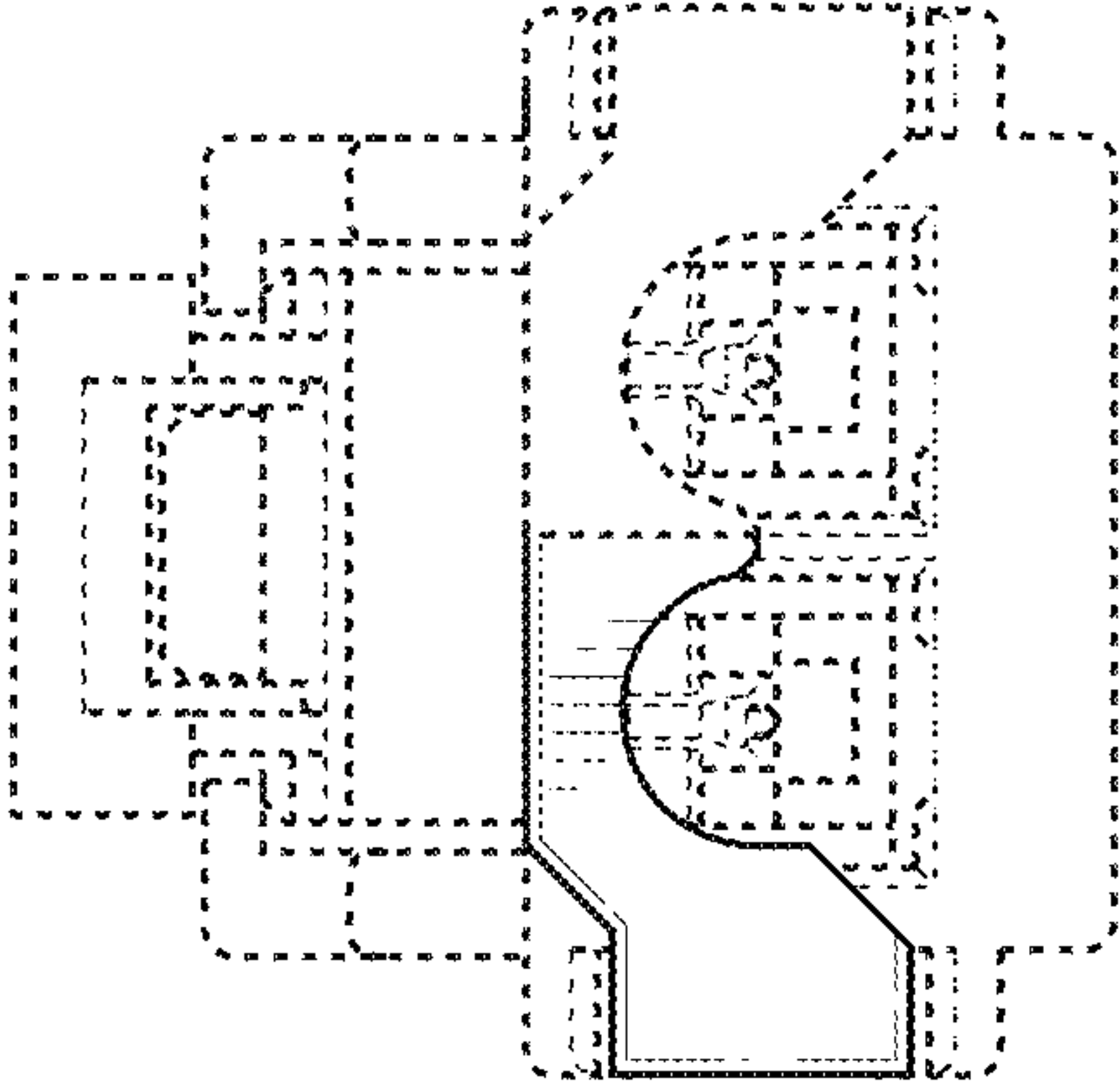


FIG. 5

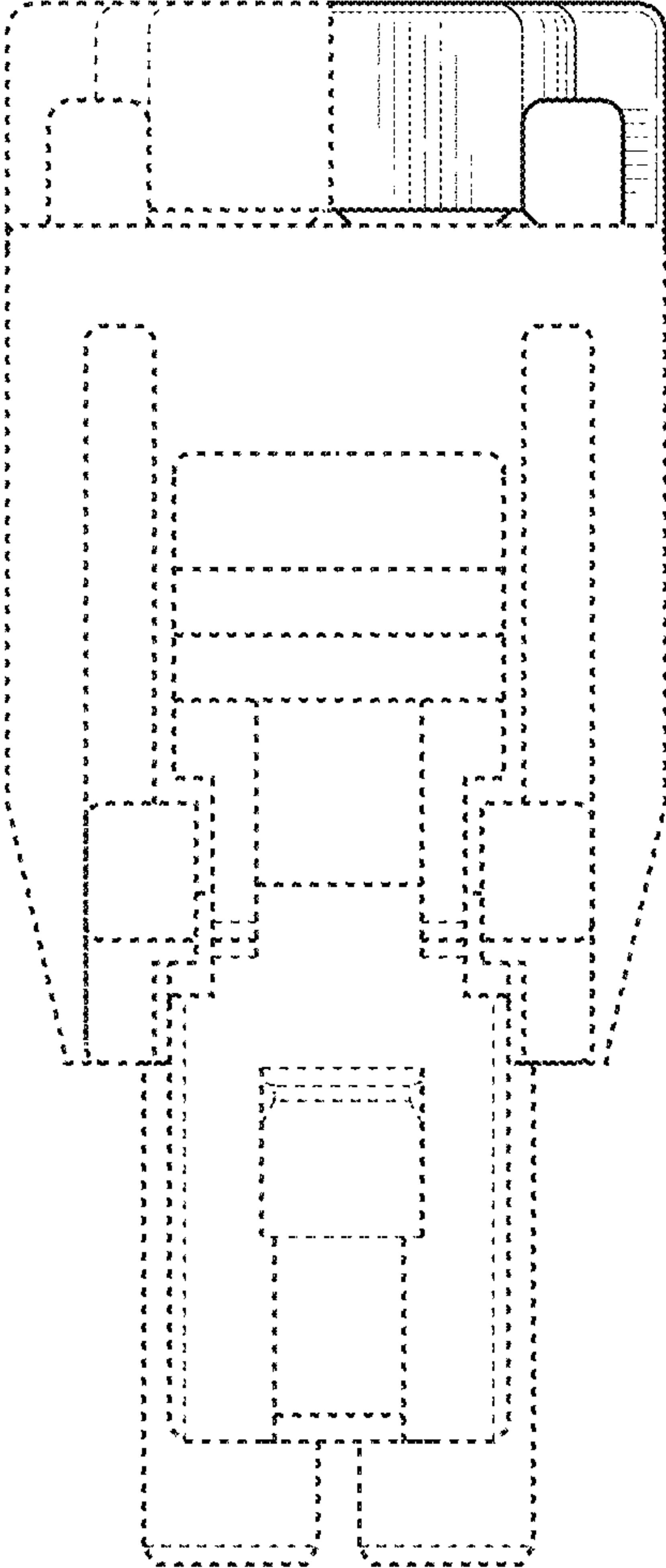


FIG. 6

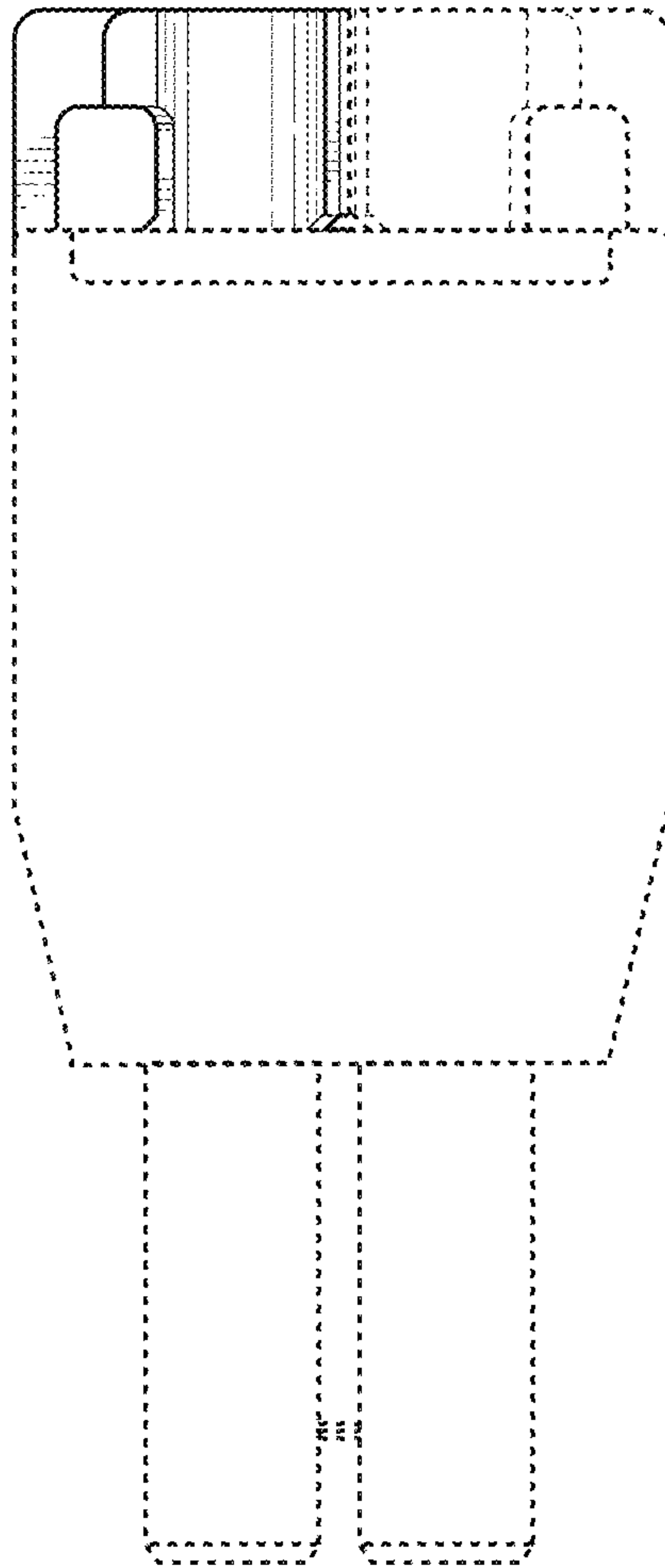


FIG. 7