



US00D791078S

(12) **United States Design Patent**
Sturm et al.

(10) **Patent No.:** **US D791,078 S**

(45) **Date of Patent:** **** Jul. 4, 2017**

(54) **ELECTRIC MOTOR**

(71) Applicant: **ebm-papst Mulfingen GmbH & Co. KG, Mulfingen (DE)**

(72) Inventors: **Michael Sturm, Mulfingen (DE); Thomas Sauer, Bad Mergentheim (DE)**

(73) Assignee: **EBM-PAPST MULFINGEN GMBH & CO. KG, Mulfingen (DE)**

(**) Term: **15 Years**

(21) Appl. No.: **29/548,010**

(22) Filed: **Dec. 9, 2015**

(30) **Foreign Application Priority Data**

Dec. 4, 2015 (EP) 002890293

(51) **LOC (10) Cl.** **13-01**

(52) **U.S. Cl.**
USPC **D13/112**

(58) **Field of Classification Search**
USPC D13/101, 112, 113, 114, 118, 122, 184, D13/199; D15/3, 5, 199
CPC .. H02K 5/18; H02K 5/20; H02K 9/19; H02K 9/20; H02K 3/24; H02K 3/47; H02K 7/145; H02K 11/33; H02K 2205/09; B23D 53/12; F02B 63/04
See application file for complete search history.

(56) **References Cited**

U.S. PATENT DOCUMENTS

D268,022 S * 2/1983 Lenz D13/122
4,673,837 A * 6/1987 Gingerich H02K 5/148
29/597

D401,553 S * 11/1998 Pearce D13/112
D441,715 S * 5/2001 Sasaki D13/122
6,858,955 B2 * 2/2005 Lau H01R 39/24
310/239
D502,917 S * 3/2005 Bird D13/112
D579,869 S * 11/2008 Lau D13/112
D611,410 S * 3/2010 Sturm D13/112
D642,200 S * 7/2011 Jiang D15/5
D664,565 S * 7/2012 Sonoda D15/5
D714,217 S * 9/2014 Tanaka D13/122

* cited by examiner

Primary Examiner — Derrick Holland

(74) *Attorney, Agent, or Firm* — Brinks Gilson & Lione

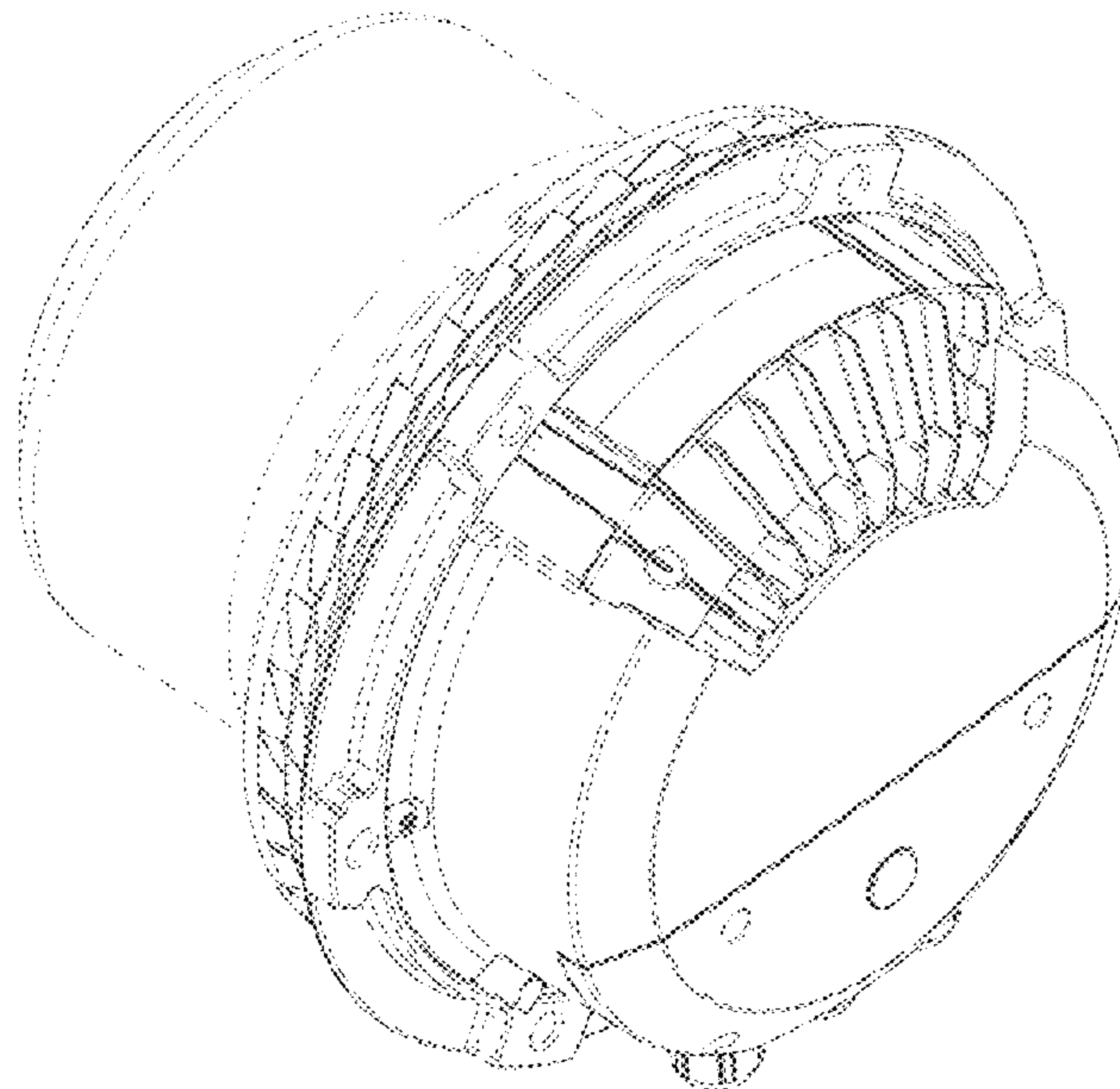
(57) **CLAIM**

The ornamental design for an electric motor, as shown and described.

DESCRIPTION

FIG. 1 is a perspective view, taken from the front and left, of the electric motor of the present invention;
FIG. 2 is a perspective view, taken from the front and right, of the electric motor shown in FIG. 1;
FIG. 3 is a perspective view, taken from the rear and right, of the electric motor shown in FIG. 1;
FIG. 4 is a perspective view, taken from the rear and left, of the electric motor shown in FIG. 1;
FIG. 5 is a front view of the electric motor shown in FIG. 1;
FIG. 6 is a left side view of the electric motor shown in FIG. 1; and,
FIG. 7 is a right side view of the electric motor shown in FIG. 1.
The broken lines in FIGS. 1-4, 6 and 7 illustrate portions of the electric motor that form no part of the claimed design.

1 Claim, 7 Drawing Sheets



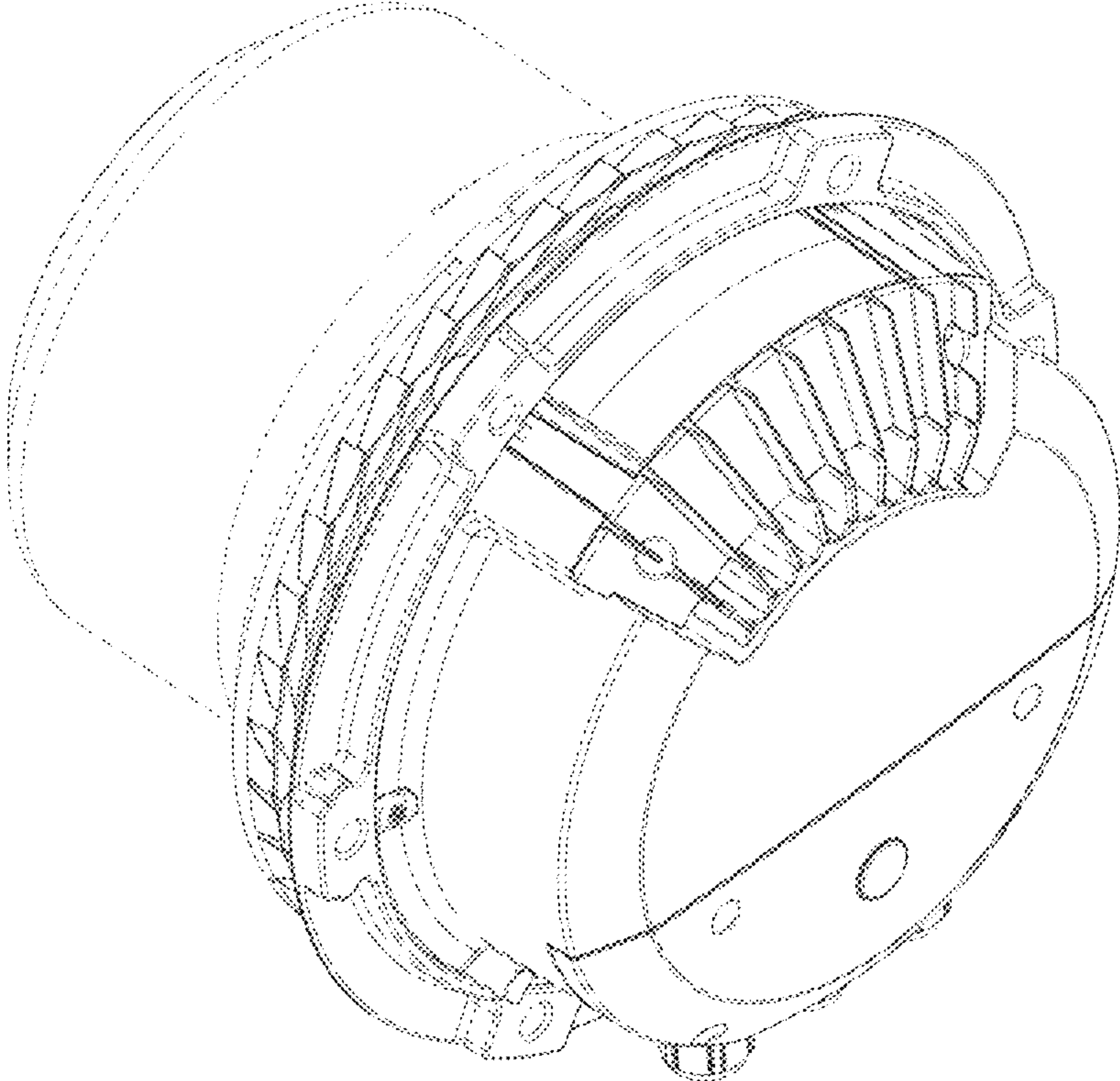


FIG. 1

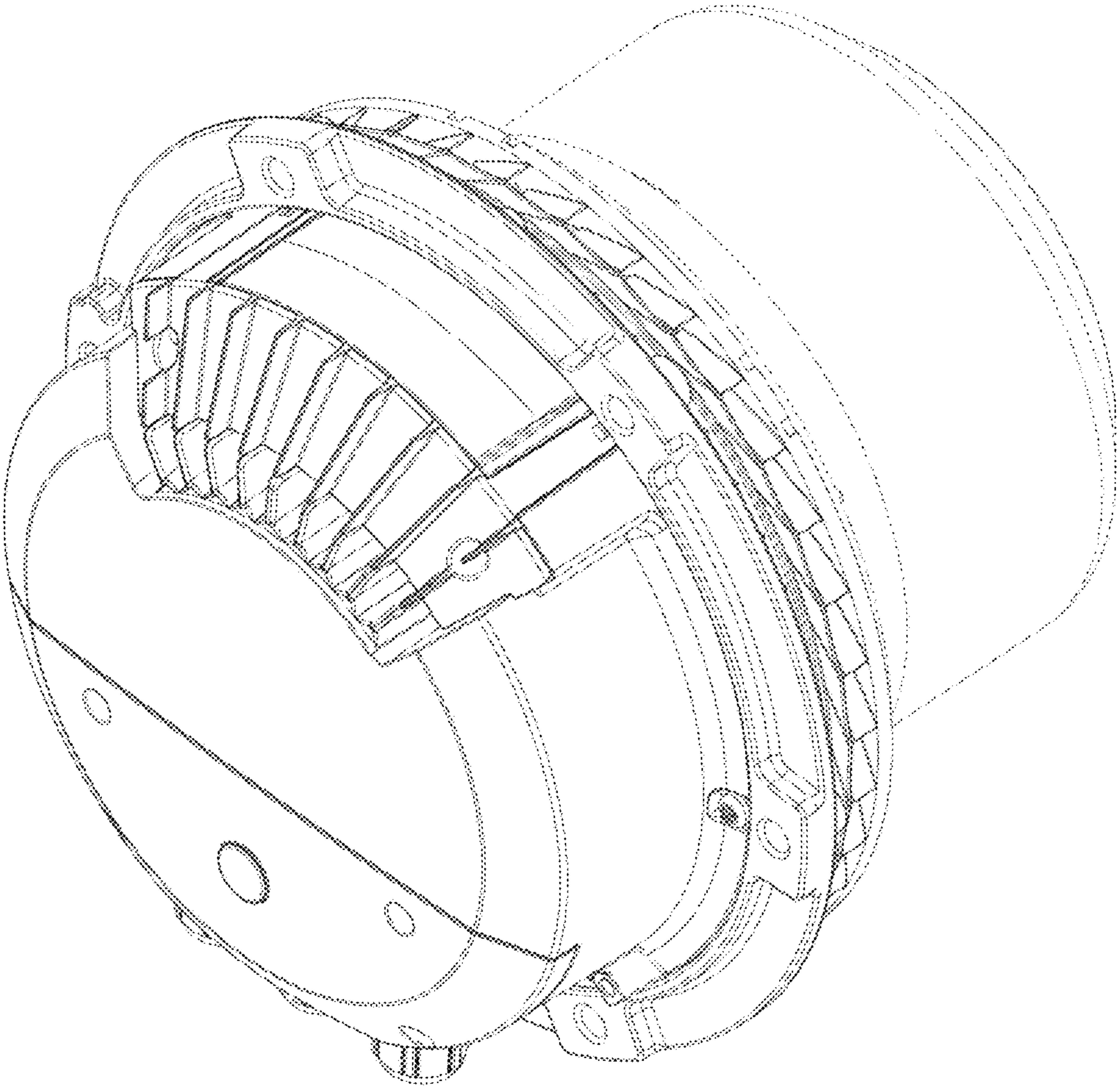


FIG. 2

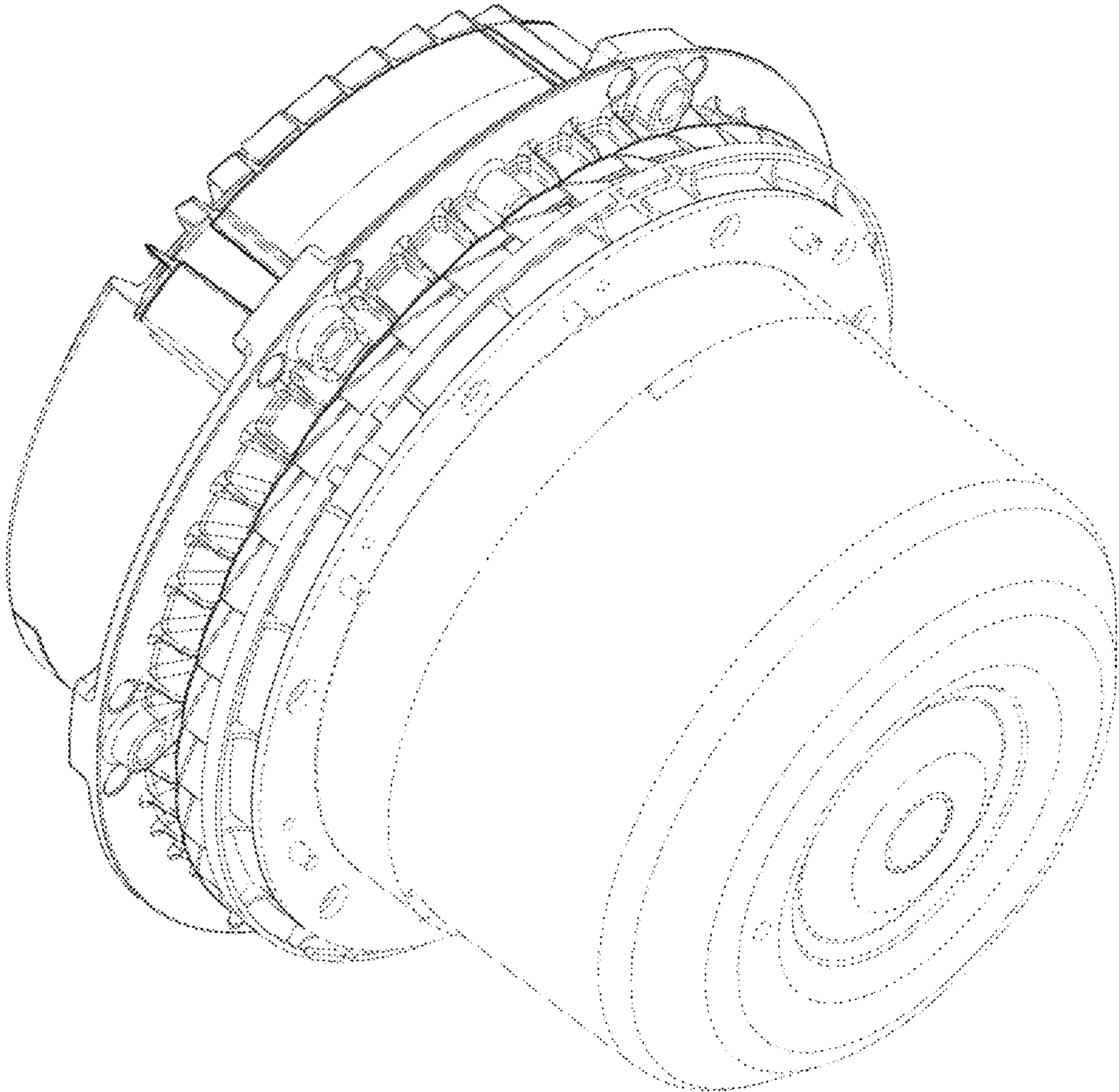


FIG. 3

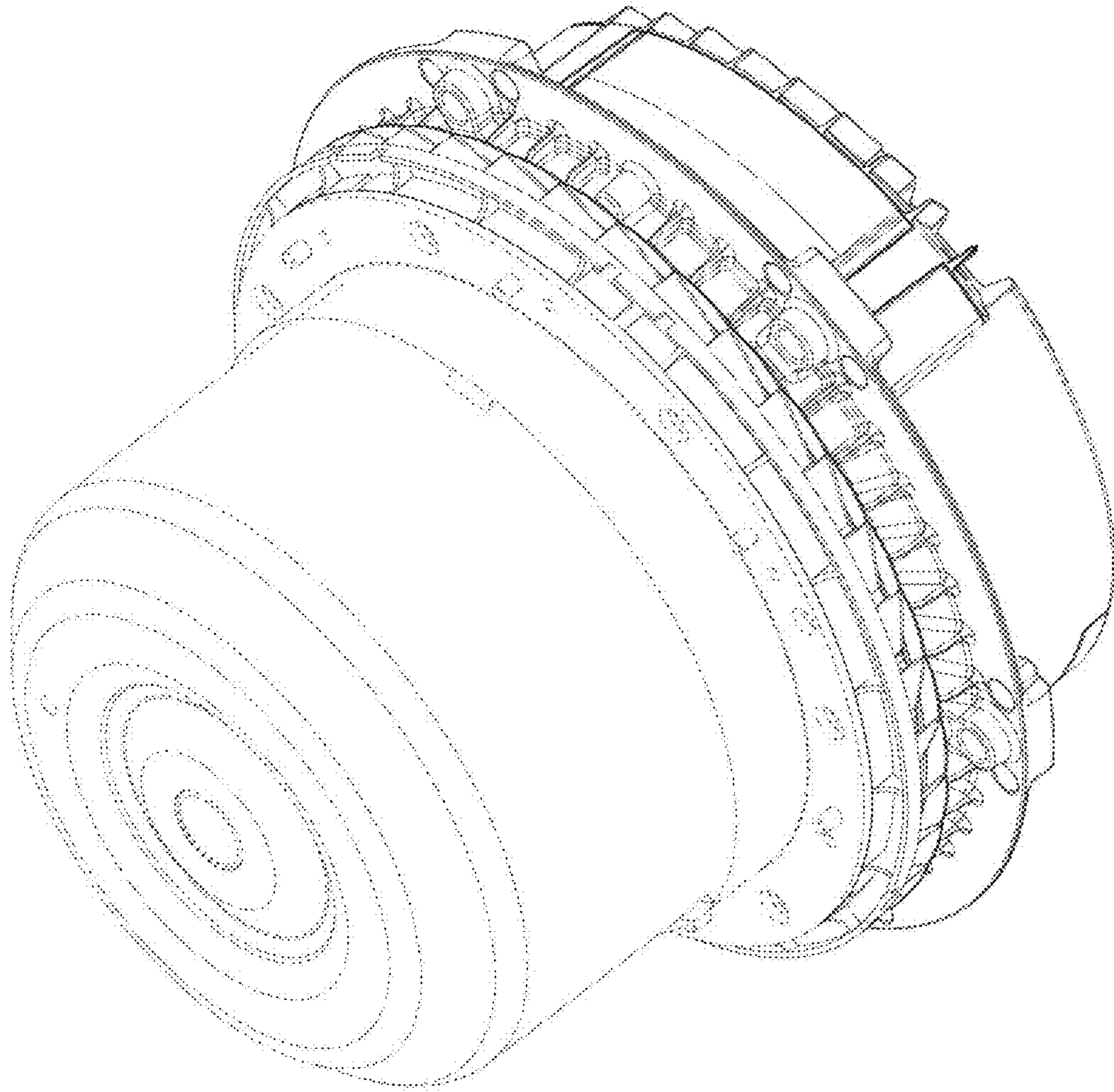


FIG. 4

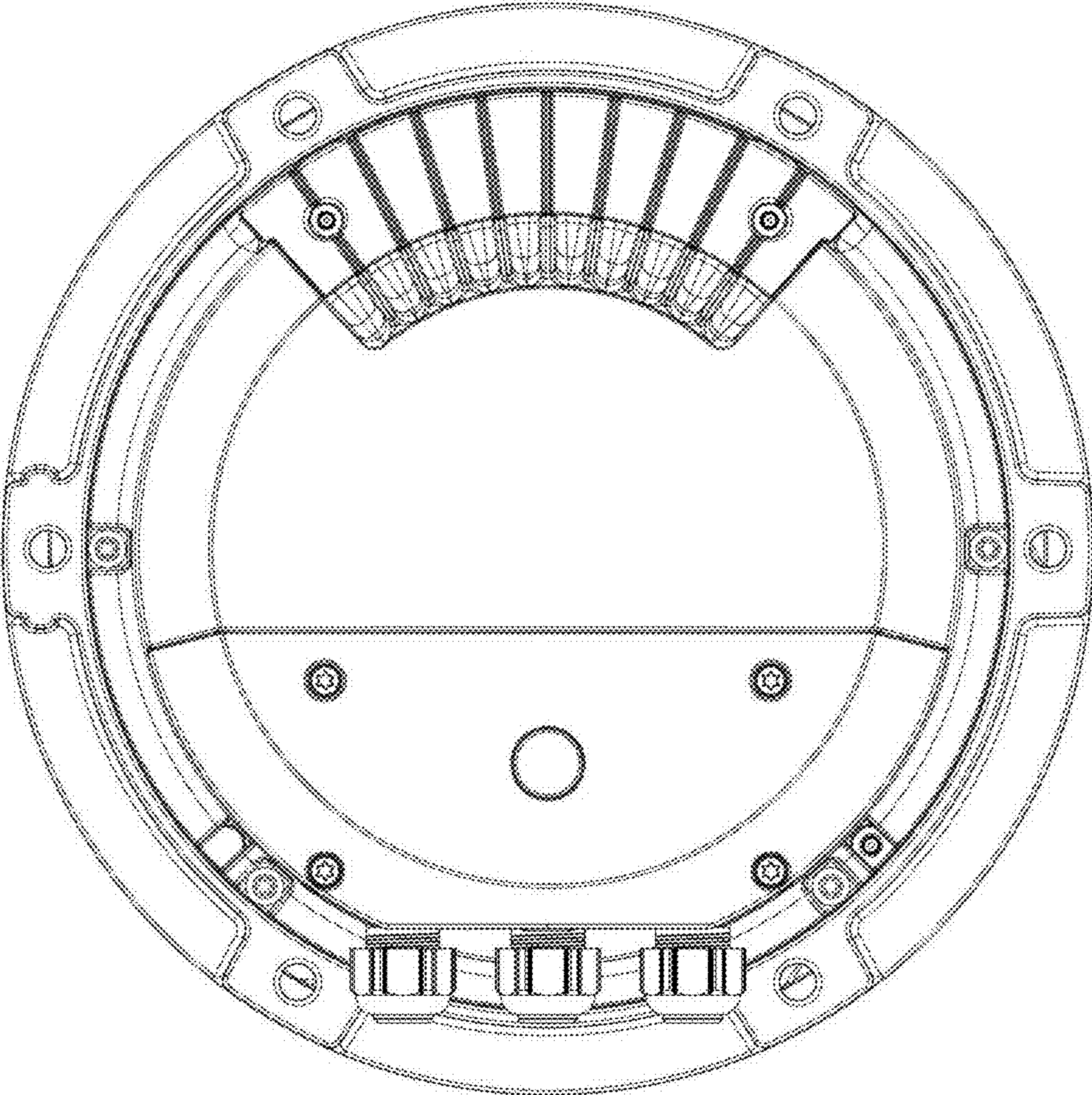


FIG. 5

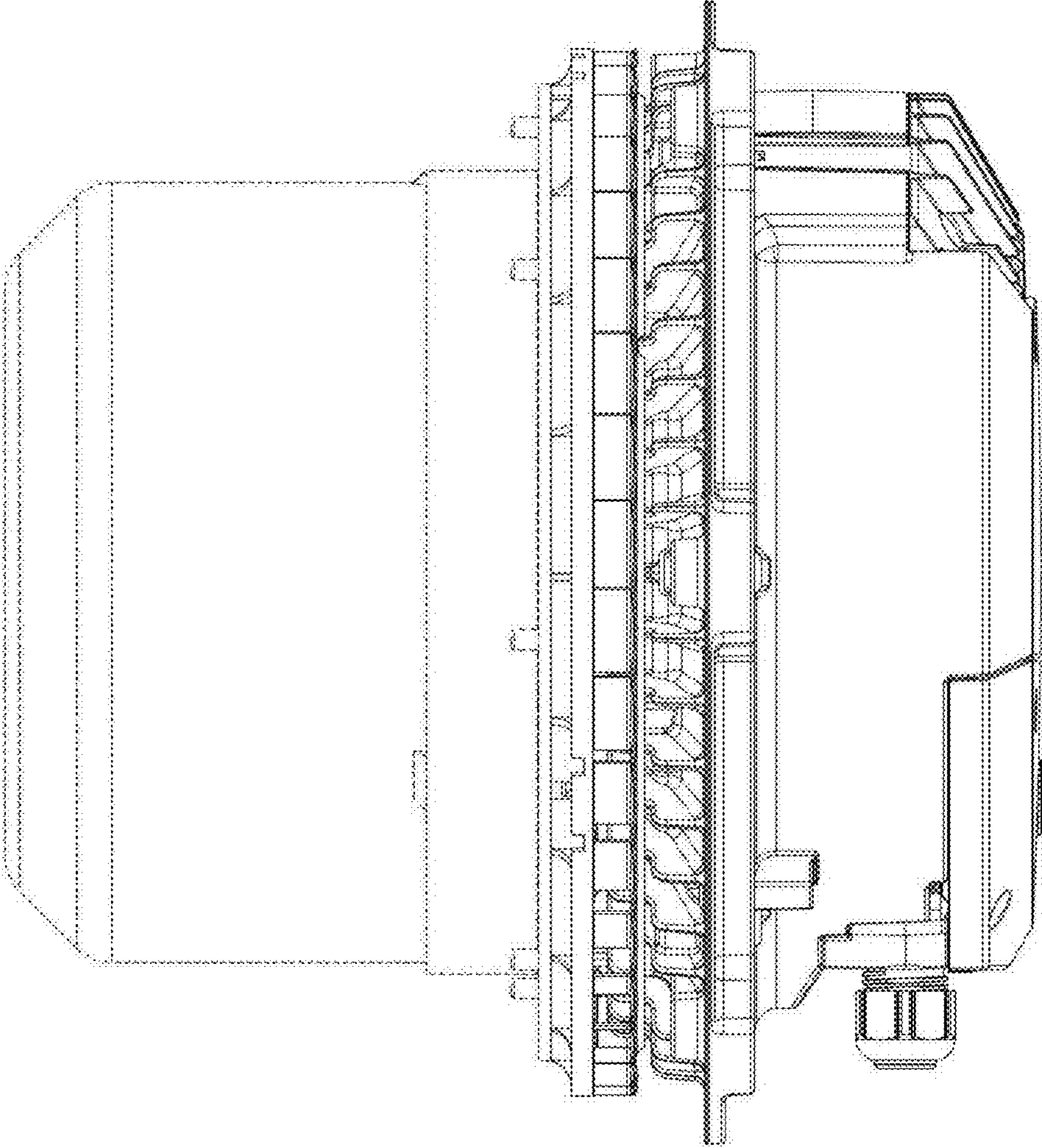


FIG. 6

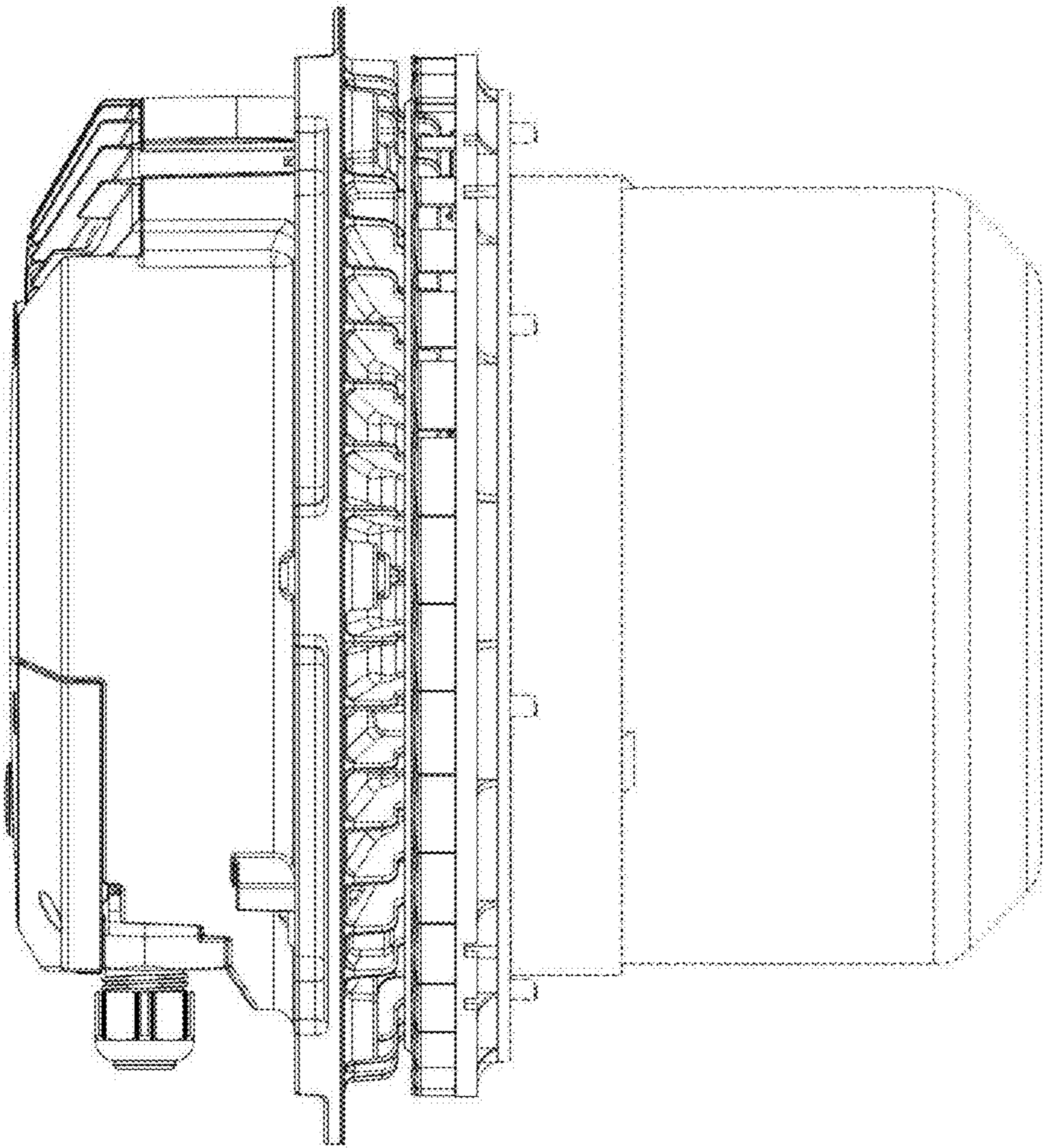


FIG. 7