



US00D791077S

(12) **United States Design Patent**
Tsou

(10) **Patent No.:** **US D791,077 S**
(45) **Date of Patent:** **** Jul. 4, 2017**

(54) **CHARGING CASE**

(71) Applicant: **Cleer Gear LLC**, San Francisco, CA (US)

(72) Inventor: **Peter Christian Tsou**, San Francisco, CA (US)

(73) Assignee: **Cleer Gear LLC**, San Francisco, CA (US)

(**) Term: **15 Years**

(21) Appl. No.: **29/567,310**

(22) Filed: **Jun. 7, 2016**

(51) **LOC (10) Cl.** **13-02**

(52) **U.S. Cl.**
USPC **D13/108**

(58) **Field of Classification Search**
USPC D13/102–110, 118, 119, 184, 199;
D14/356, 432, 140

CPC Y02E 60/10; Y02E 60/12; Y02E 60/122;
Y02E 60/124; Y02E 60/50; H01M 2/022;
H01M 2/0202; H01M 2/0207; H01M
2/0212; H01M 2/1061; H01M 2/1022;
H01M 2/1055; H01M 2/1066; H01M
2/105; H01M 2/20; H01M 2/202; H01M
2/204; H01M 2/206; H01M 10/44; H01M
10/46; H01M 10/465; H01M 10/482;
H01M 2200/30; H01M 2250/30; H01M
2250/40; H02J 7/00; H02J 7/0003; H02J
7/0011; H02J 7/0013; H02J 7/0054; H02J
7/0055; H02J 7/0057; H02J 2007/0062
See application file for complete search history.

(56) **References Cited**

U.S. PATENT DOCUMENTS

5,736,271 A * 4/1998 Cisar H02J 7/0045
361/730
D612,329 S * 3/2010 Guccione D13/108

D650,738 S * 12/2011 Leung D13/107
D665,734 S * 8/2012 Fitch D13/107
D678,191 S * 3/2013 Fitch D13/108
D694,708 S * 12/2013 Kim D13/108
D700,136 S * 2/2014 Morris D13/103
D715,760 S * 10/2014 Kim D14/188
D732,023 S * 6/2015 Asao D14/358

(Continued)

Primary Examiner — Rosemary K Tarcza

Assistant Examiner — Alison Ofstun

(74) *Attorney, Agent, or Firm* — **Intellent Patents LLC;**
Ahmed Alhafidh

(57) **CLAIM**

The ornamental design for a charging case, as shown and described.

DESCRIPTION

FIG. 1 is a front perspective view of a charging case showing my new design, shown in an environment of use;
FIG. 2 is another front perspective view of the charging case of FIG. 1.

FIG. 3 is a rear perspective view of the charging case of FIG. 1.

FIG. 4 is a rear elevation view of the charging case of FIG. 1.

FIG. 5 is a front elevation view of FIG. 1, shown with environmental structure removed.

FIG. 6 is a front elevation view of FIG. 1.

FIG. 7 is a top elevation view of the charging case of FIG. 1.

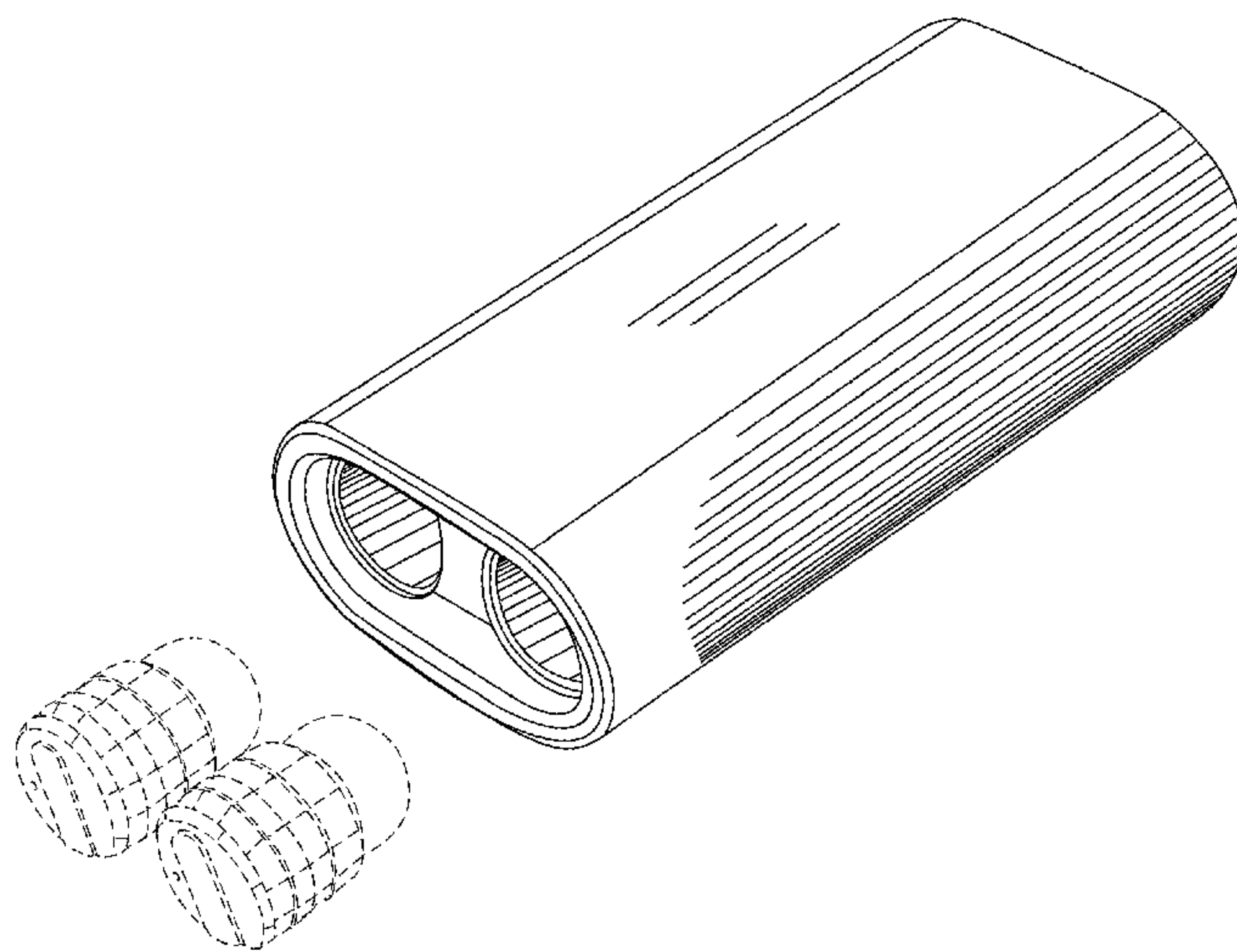
FIG. 8 is a bottom elevation view of the charging case of FIG. 1.

FIG. 9 is a right elevation view of the charging case of FIG. 1; and,

FIG. 10 is a left elevation view of the charging case of FIG. 1.

The broken lines in the drawings illustrate environmental subject matter or portions of the charging case which form no part of the claimed design.

1 Claim, 7 Drawing Sheets



(56)

References Cited

U.S. PATENT DOCUMENTS

D769,185 S * 10/2016 Lee D13/108
D770,972 S * 11/2016 Kruglak D13/107
2005/0041387 A1* 2/2005 Lee G06F 1/16
361/679.33
2011/0199041 A1* 8/2011 Yang H01M 10/46
320/101
2012/0262109 A1* 10/2012 Toya H01M 10/44
320/108
2013/0183556 A1* 7/2013 Kim H01M 2/022
429/82

* cited by examiner

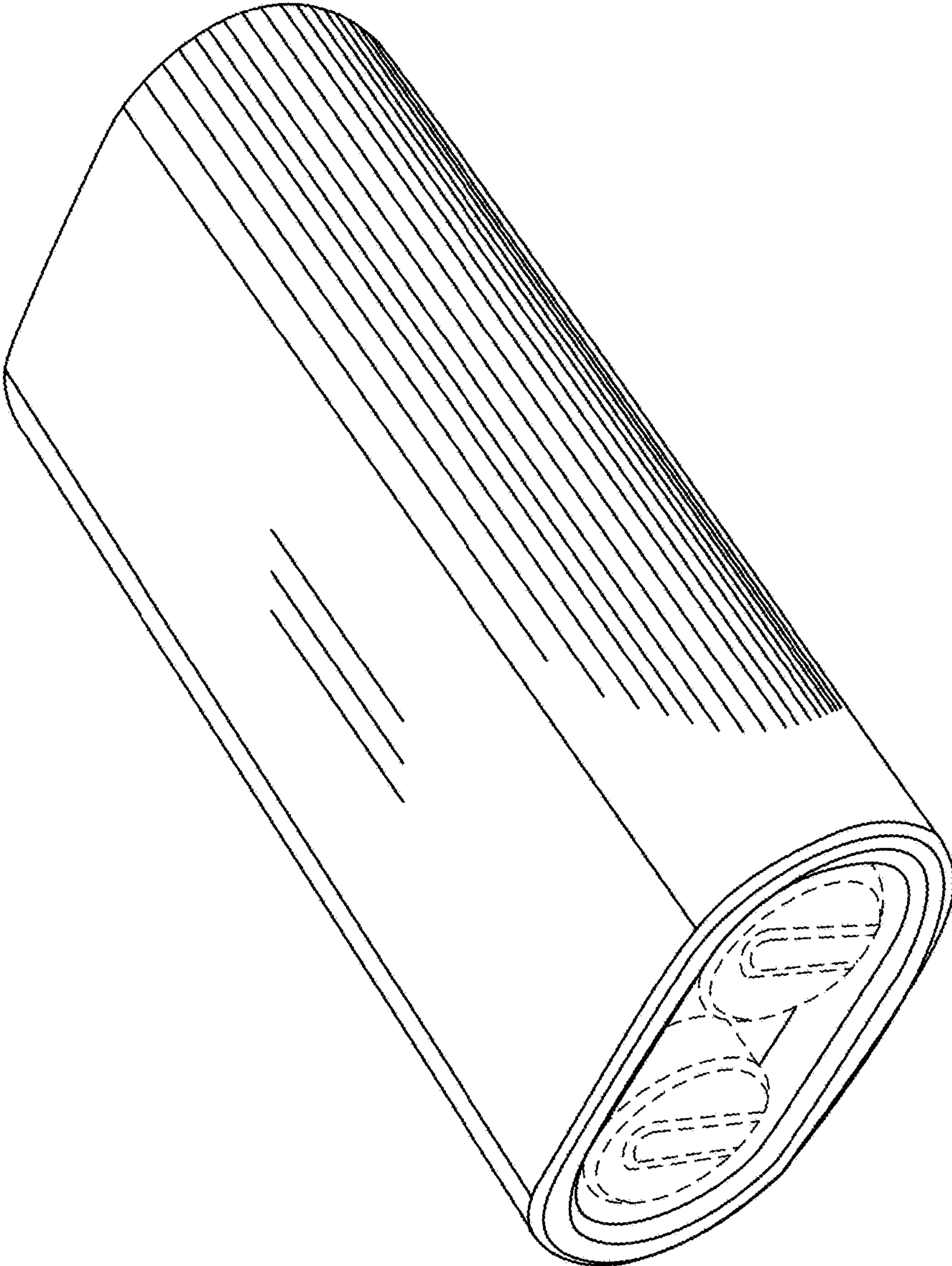


FIGURE 1

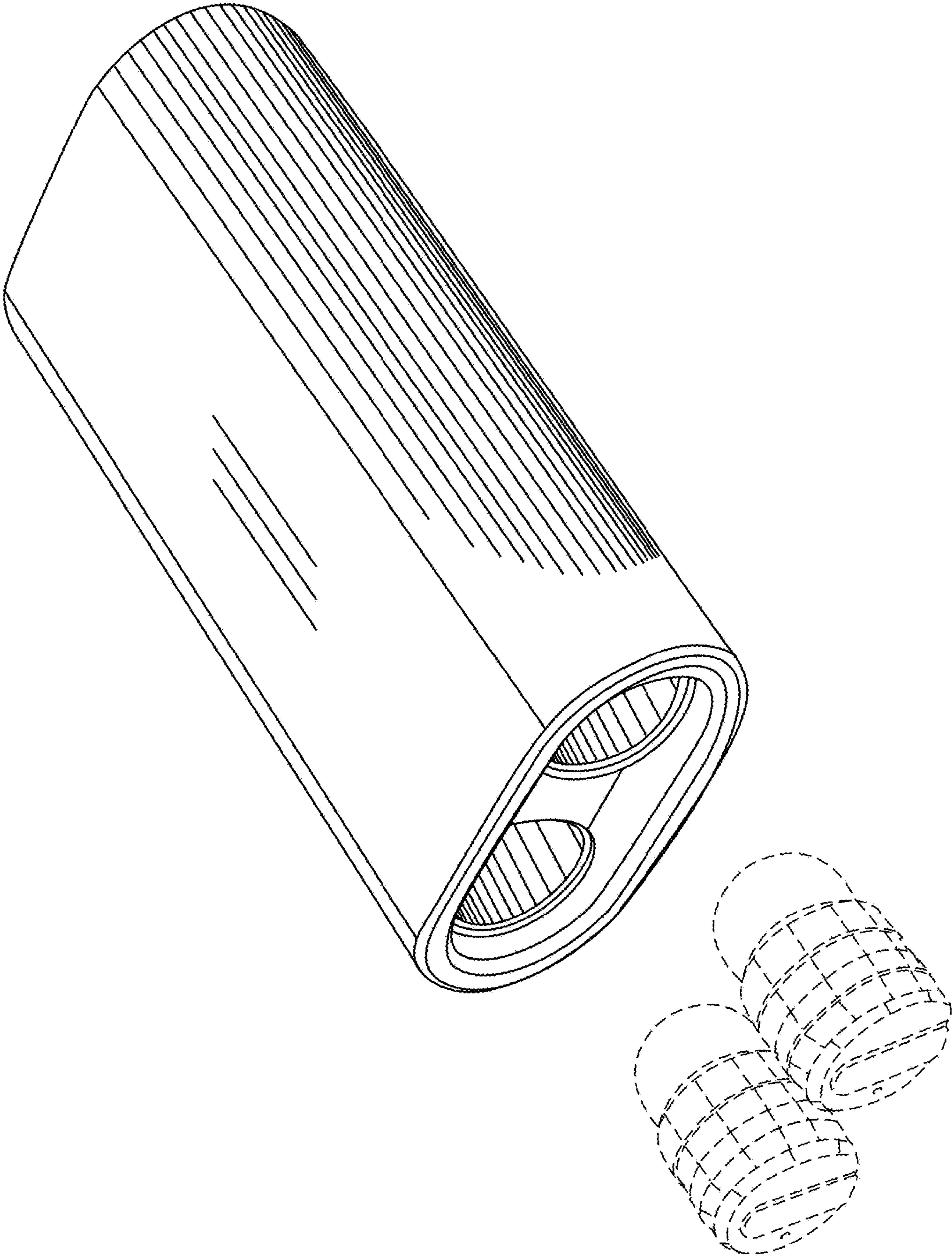


FIGURE 2

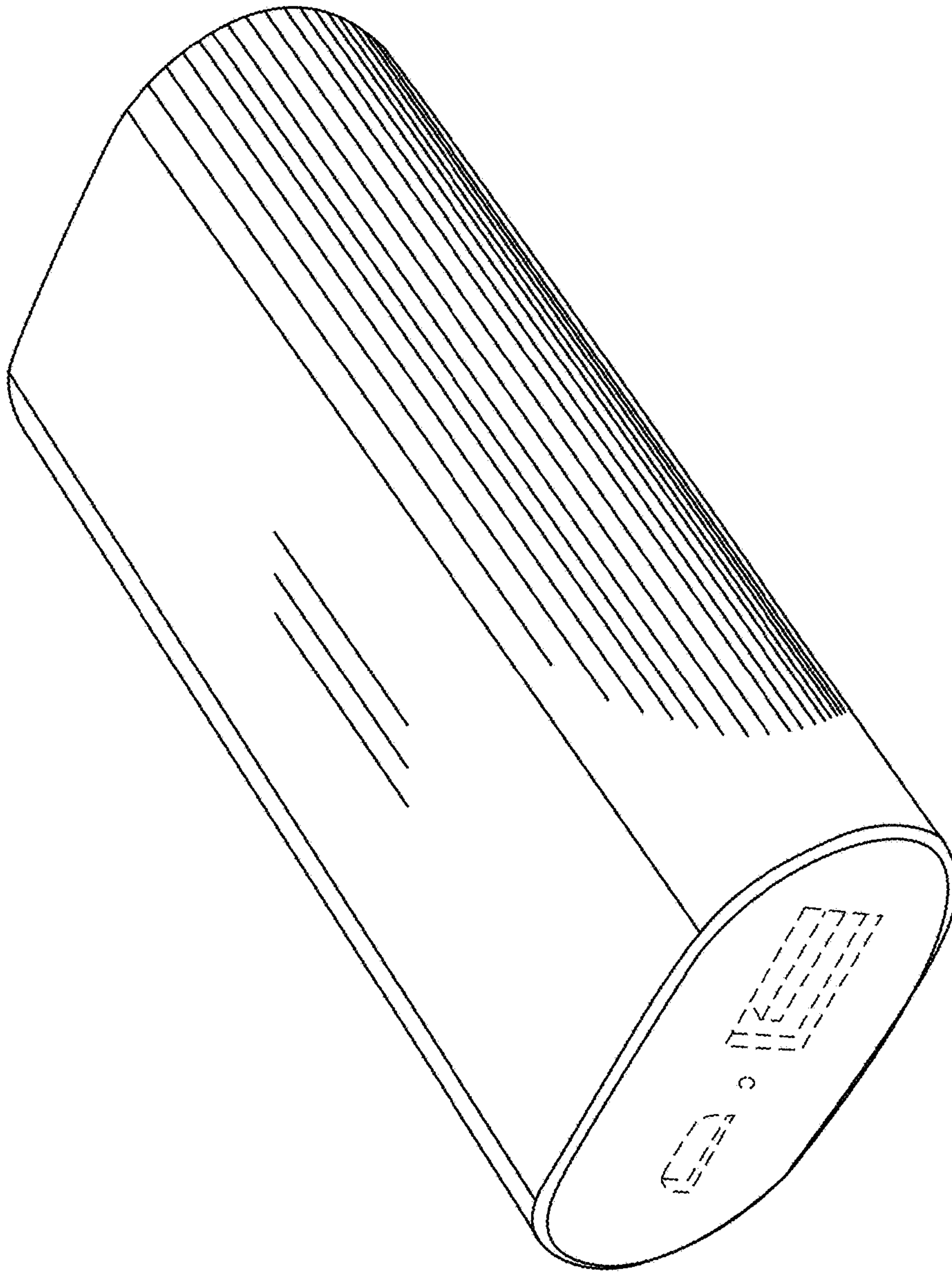


FIGURE 3

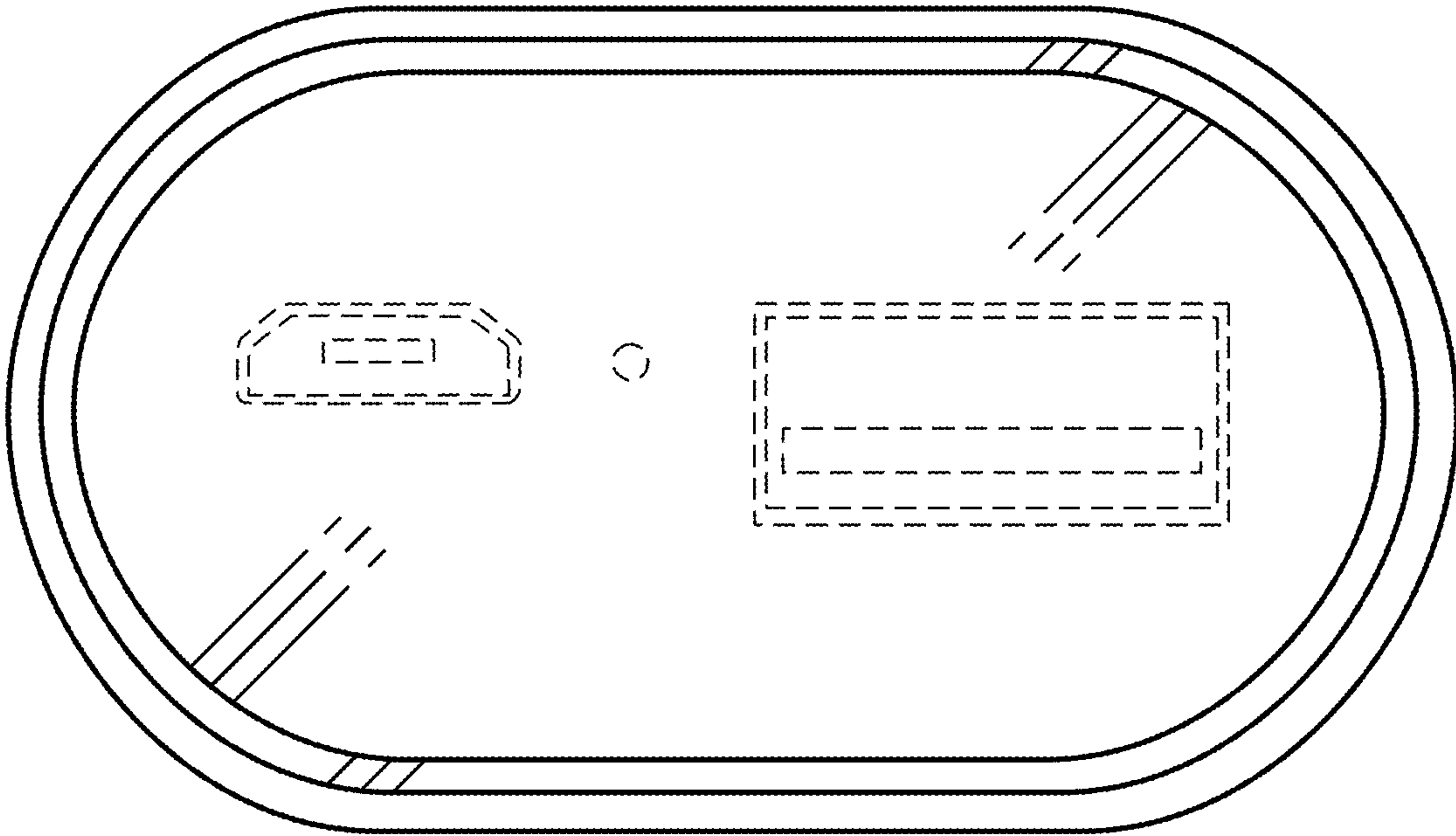


FIGURE 4

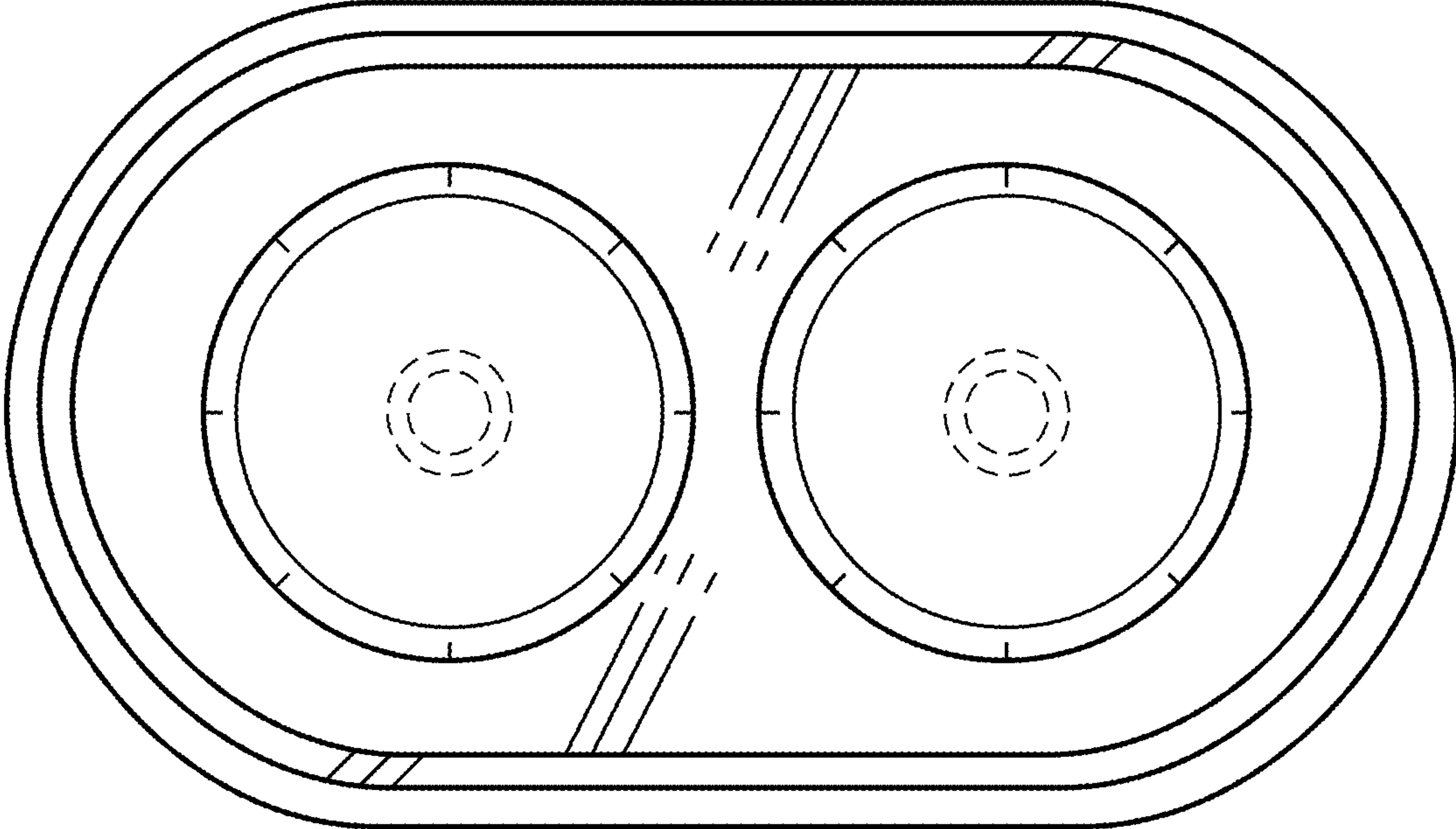


FIGURE 5

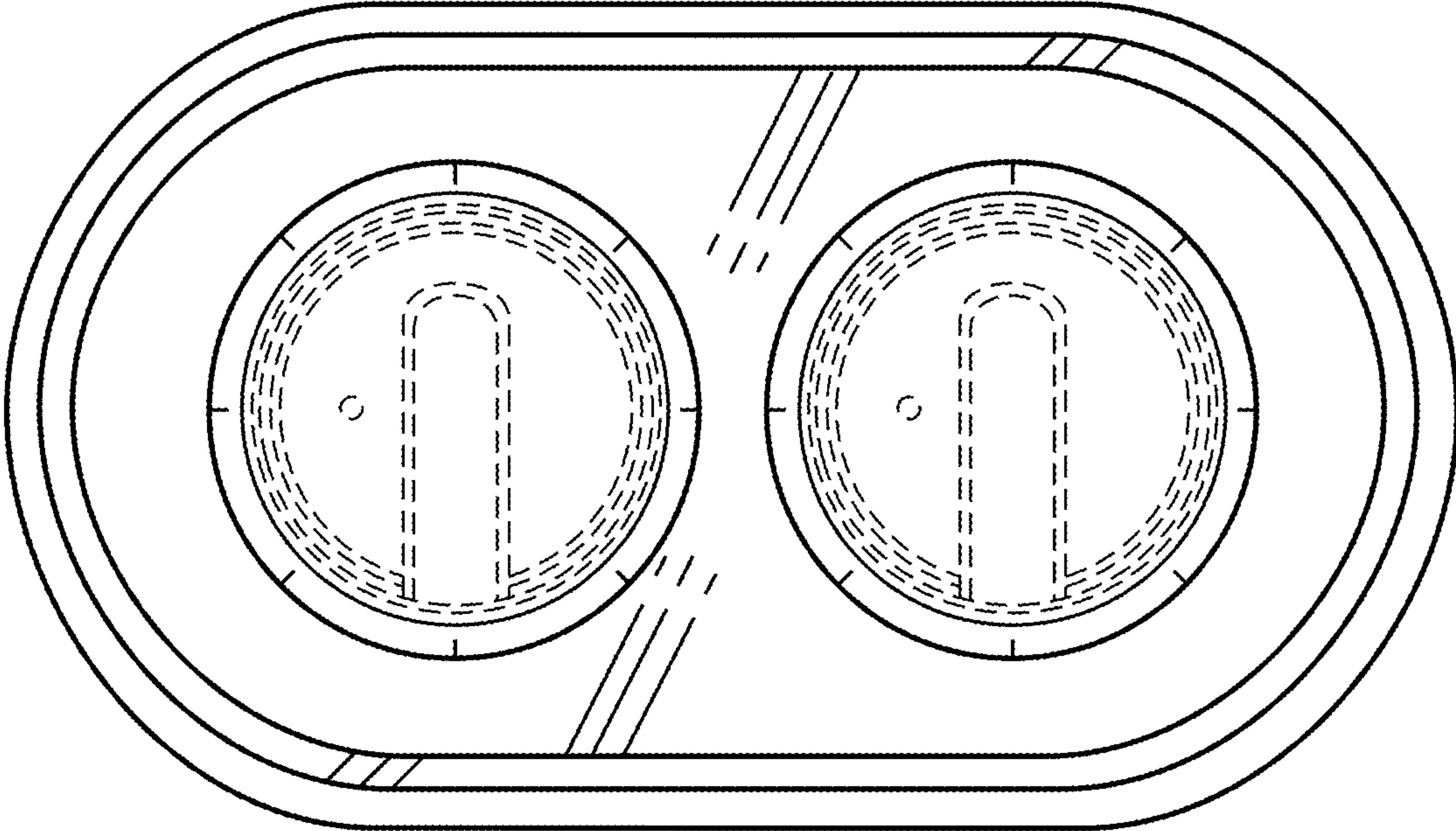


FIGURE 6

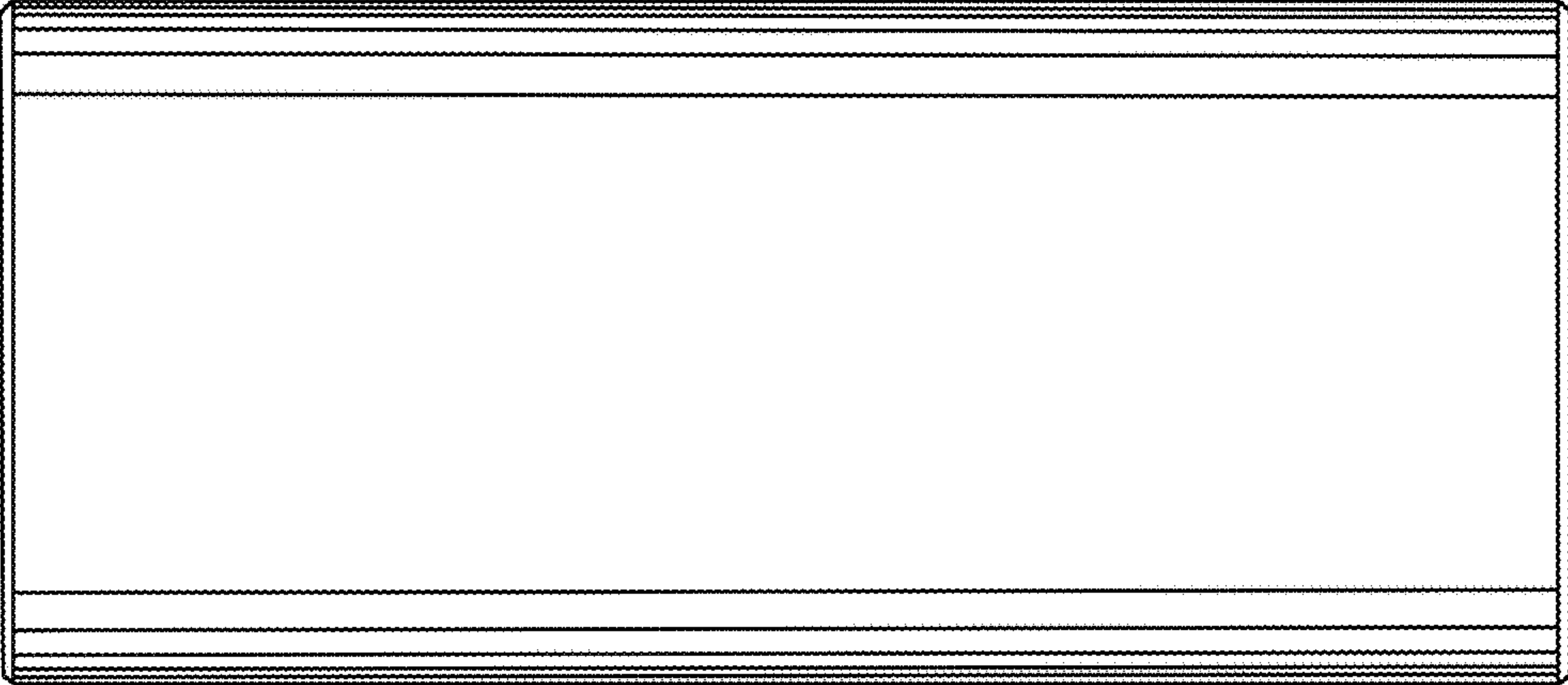


FIGURE 8

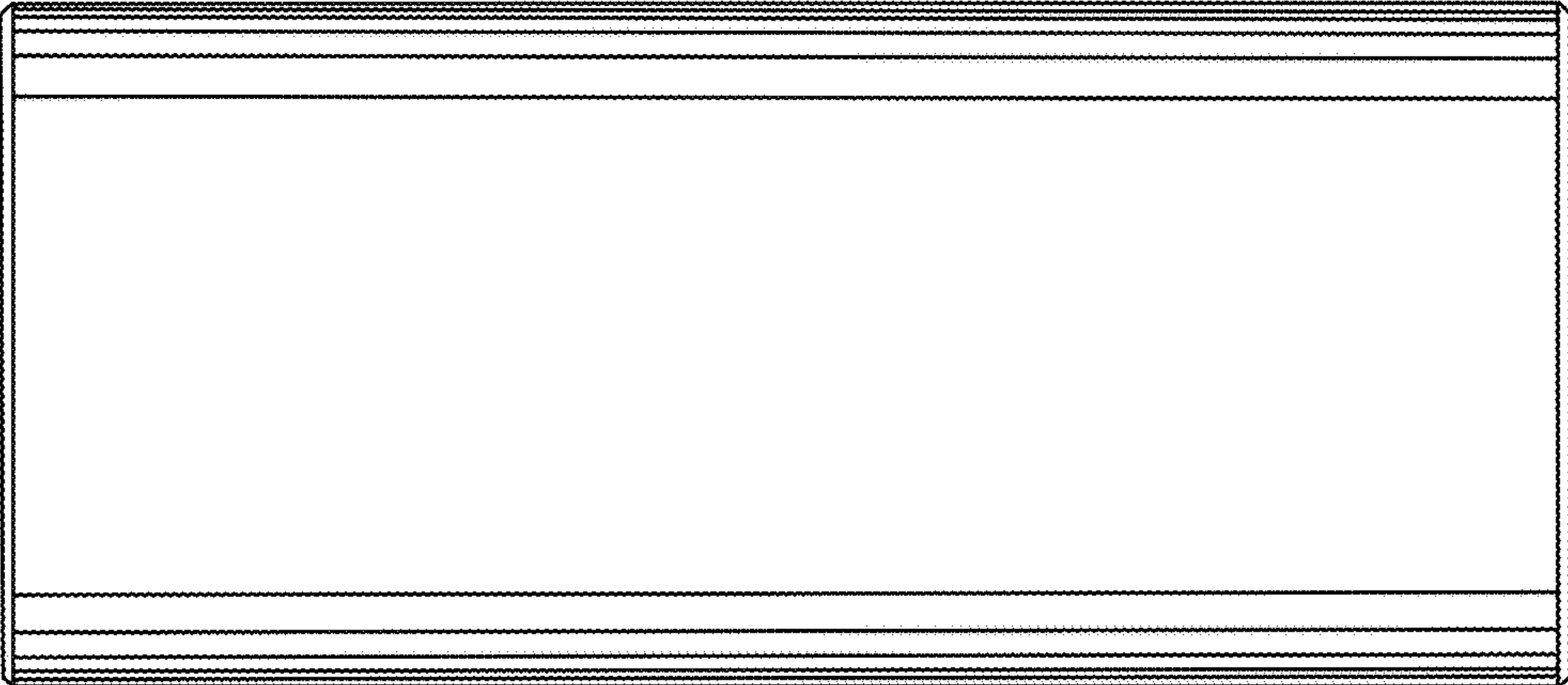


FIGURE 7

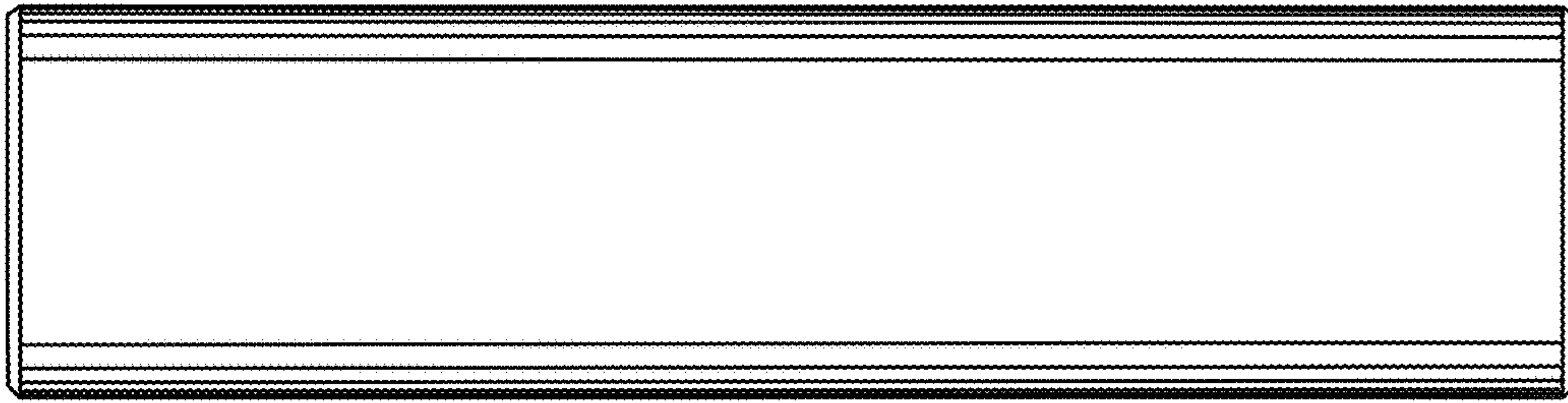


FIGURE 10

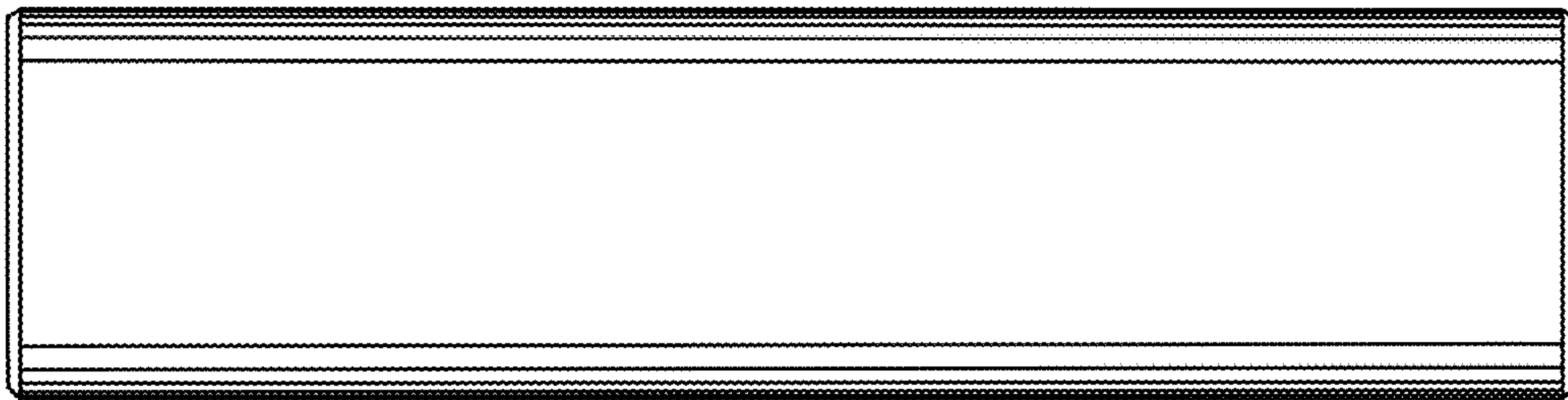


FIGURE 9