



US00D791076S

(12) **United States Design Patent**
Kim et al.

(10) **Patent No.:** **US D791,076 S**
(45) **Date of Patent:** **** Jul. 4, 2017**

(54) **CHARGER FOR MOBILE PHONE**

(71) Applicant: **LG ELECTRONICS INC.**, Seoul
(KR)

(72) Inventors: **Sungwoo Kim**, Seoul (KR); **Jonghak Lee**, Seoul (KR); **Seunghyun Ji**, Seoul (KR)

(73) Assignee: **LG ELECTRONICS INC.**, Seoul
(KR)

(**) Term: **15 Years**

(21) Appl. No.: **29/534,892**

(22) Filed: **Jul. 31, 2015**

(30) **Foreign Application Priority Data**

Feb. 2, 2015 (KR) 30-2015-0005718

(51) **LOC (10) Cl.** **13-02**

(52) **U.S. Cl.**
USPC **D13/108**

(58) **Field of Classification Search**
USPC D13/107, 108, 109, 110, 118, 119, 184;
D14/240, 253, 432, 434
CPC Y02E 60/12; Y02T 90/14; Y02T 90/122;
Y02T 90/128; Y02T 90/163; H02J 7/025;
H02J 7/0042; H02J 7/0044; H02J 7/0045;
H02J 7/0003; H01F 38/14; H01R
13/6675; H01M 2/1022; H01M 2/1055;
H01M 10/44; H01M 10/46; H01M
10/425; B60L 11/182

See application file for complete search history.

(56) **References Cited**

U.S. PATENT DOCUMENTS

D592,142 S * 5/2009 Kettula D13/108
D598,375 S * 8/2009 Nomi D13/108
D599,738 S * 9/2009 Amidei D13/110
D628,152 S * 11/2010 Fujii D13/108

D628,153 S * 11/2010 Fujii D13/108
D666,968 S * 9/2012 Huang D13/110
D680,063 S * 4/2013 Sasada D13/108
D696,627 S * 12/2013 Tsoi D13/110
D705,159 S * 5/2014 Levy D13/108
D705,748 S * 5/2014 He D14/155
D732,512 S * 6/2015 Fariello D14/230
D736,154 S * 8/2015 Levy D13/108

(Continued)

FOREIGN PATENT DOCUMENTS

CN 302035111 * 8/2012
CN 303507768 * 12/2015

OTHER PUBLICATIONS

uViyo. <URL: <https://uviyo.com/products/fast-cell-phone-charger-adapter-ghostek-nrgcharge-quickcharge-2-0>>. Visited Feb. 14, 2017. Qualcomm Quick Charge 2.0.*

Primary Examiner — Bridget L Eland

Assistant Examiner — Lauren McVey

(74) *Attorney, Agent, or Firm* — Birch, Stewart, Kolasch & Birch, LLP

(57) **CLAIM**

The ornamental design for a charger for mobile phone, as shown and described.

DESCRIPTION

FIG. 1 is a perspective view of a charger for mobile phone showing our new design;

FIG. 2 is a front view thereof, the rear view being a mirror image thereof;

FIG. 3 is a left side view thereof;

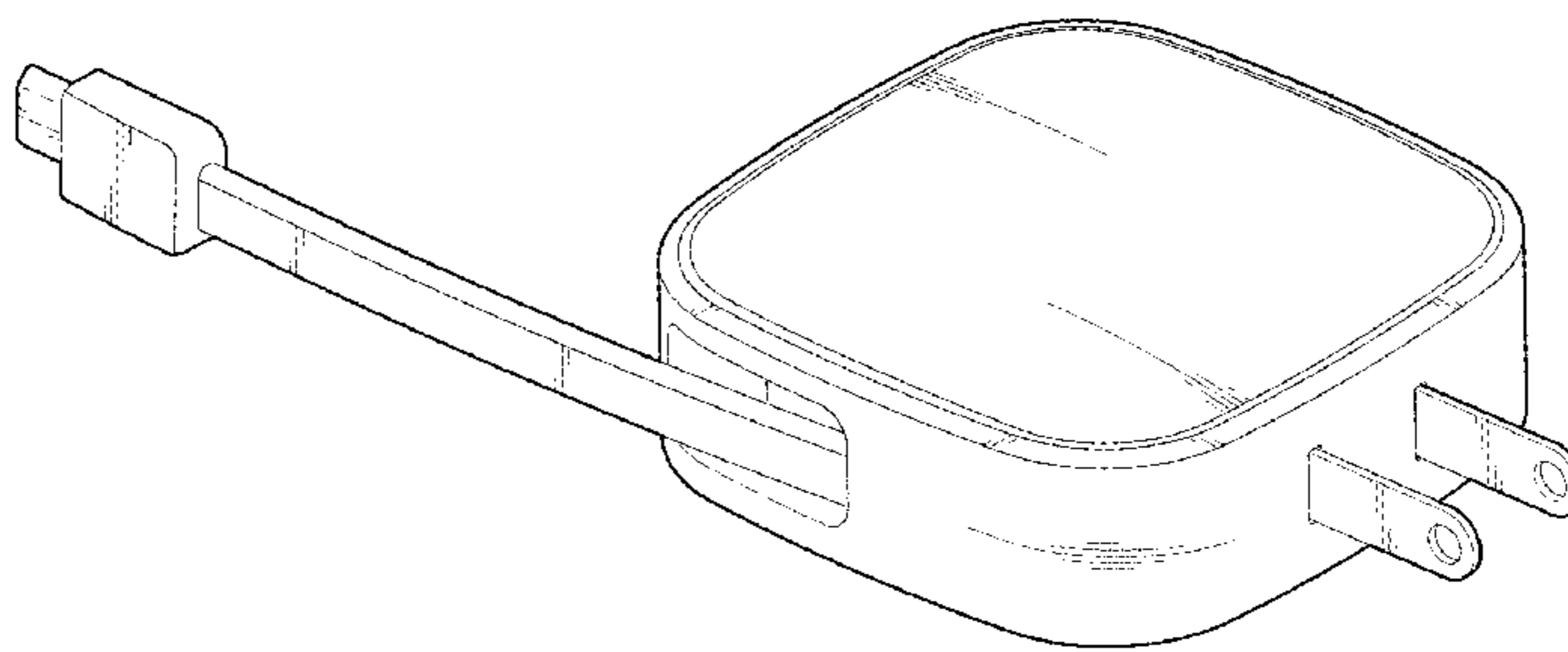
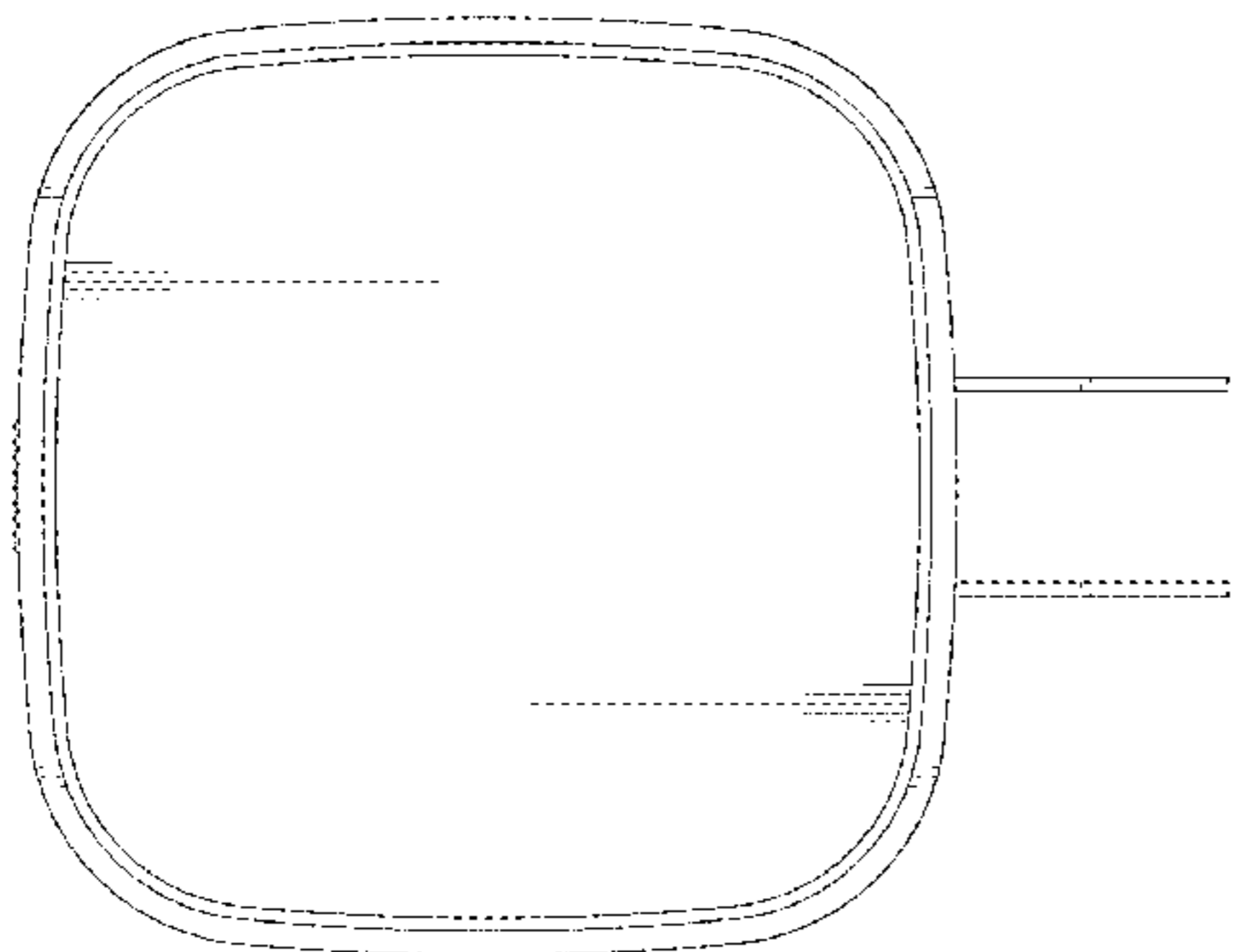
FIG. 4 is a right side view thereof;

FIG. 5 is a top plan view thereof;

FIG. 6 is a bottom plan view thereof; and,

FIG. 7 is another perspective view thereof, shown in an alternate state.

1 Claim, 6 Drawing Sheets



(56)

References Cited

U.S. PATENT DOCUMENTS

2014/0152257 A1* 6/2014 Miller H02J 7/0042
320/111

* cited by examiner

FIG. 1

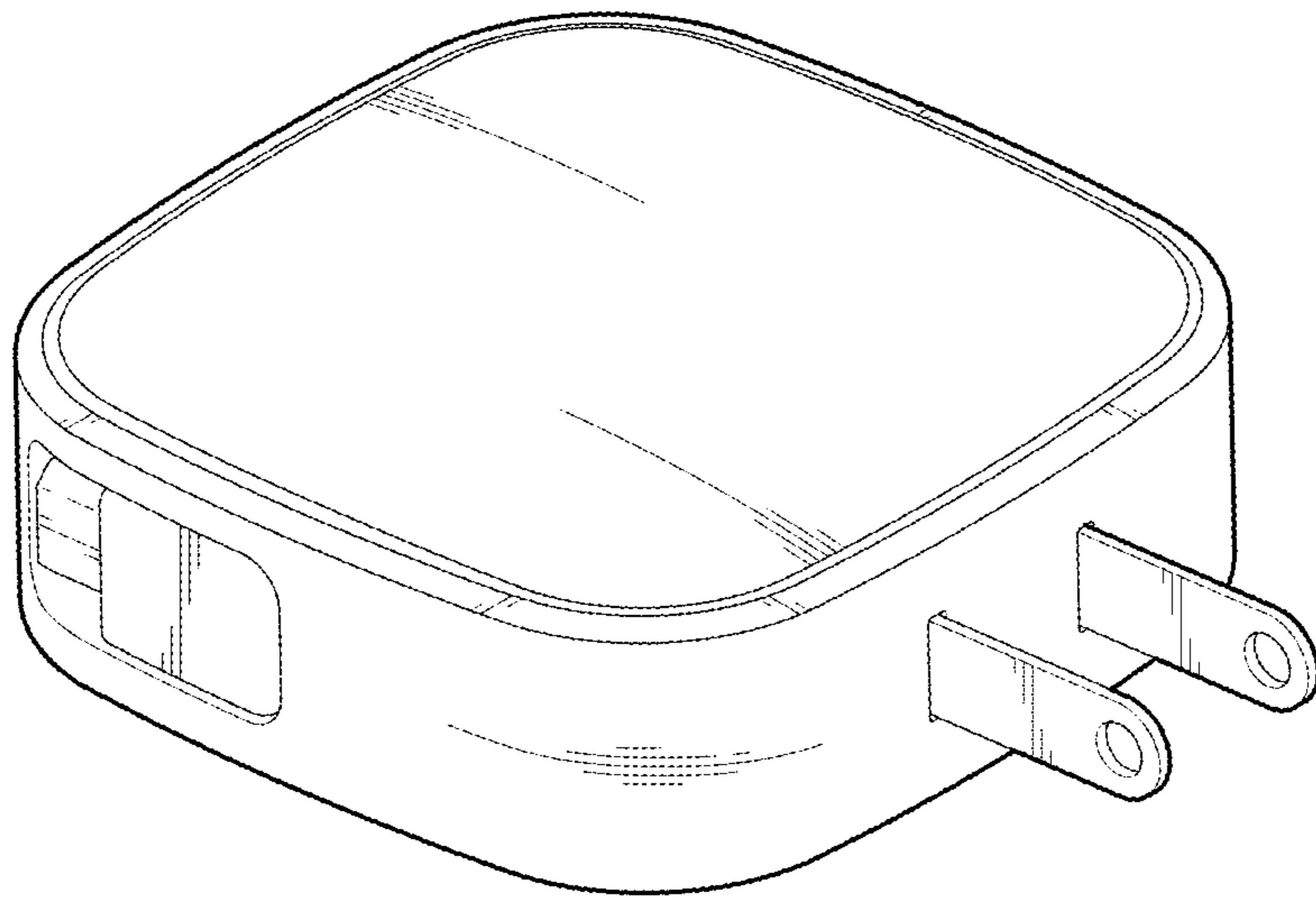


FIG. 2

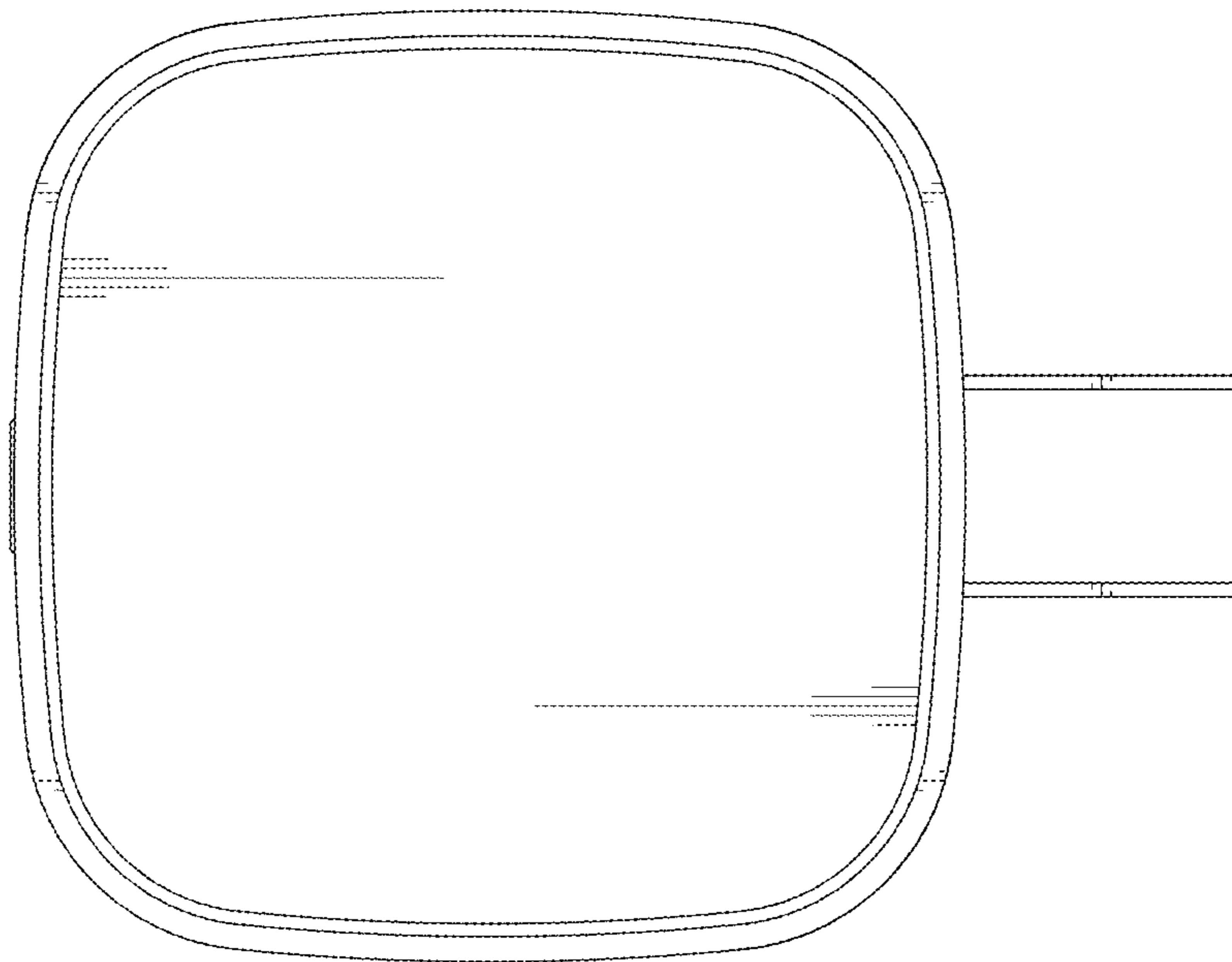


FIG. 3

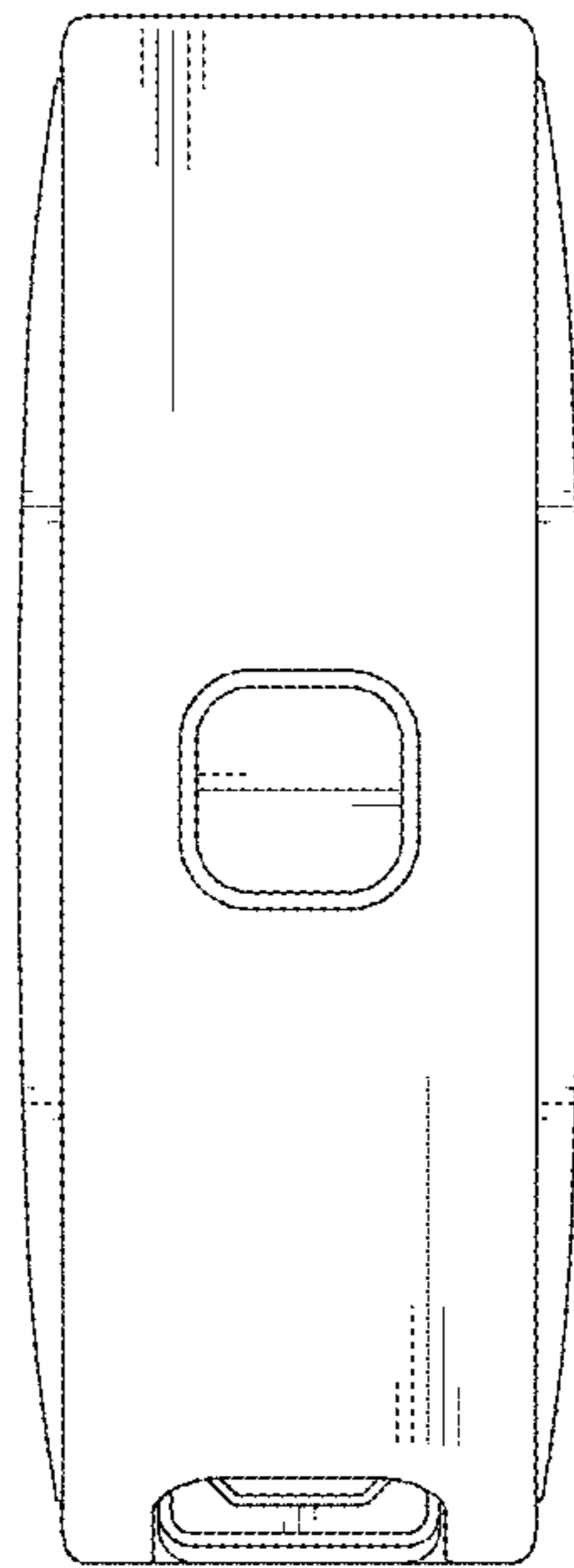


FIG. 4

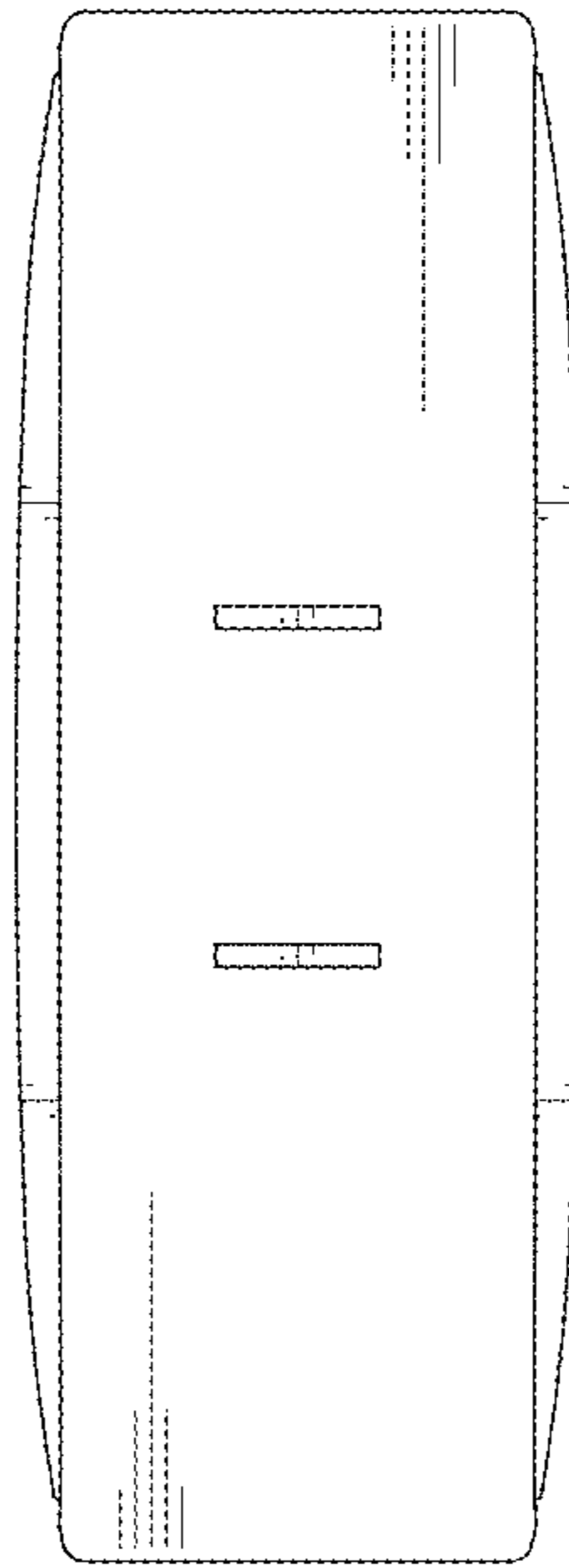


FIG. 5

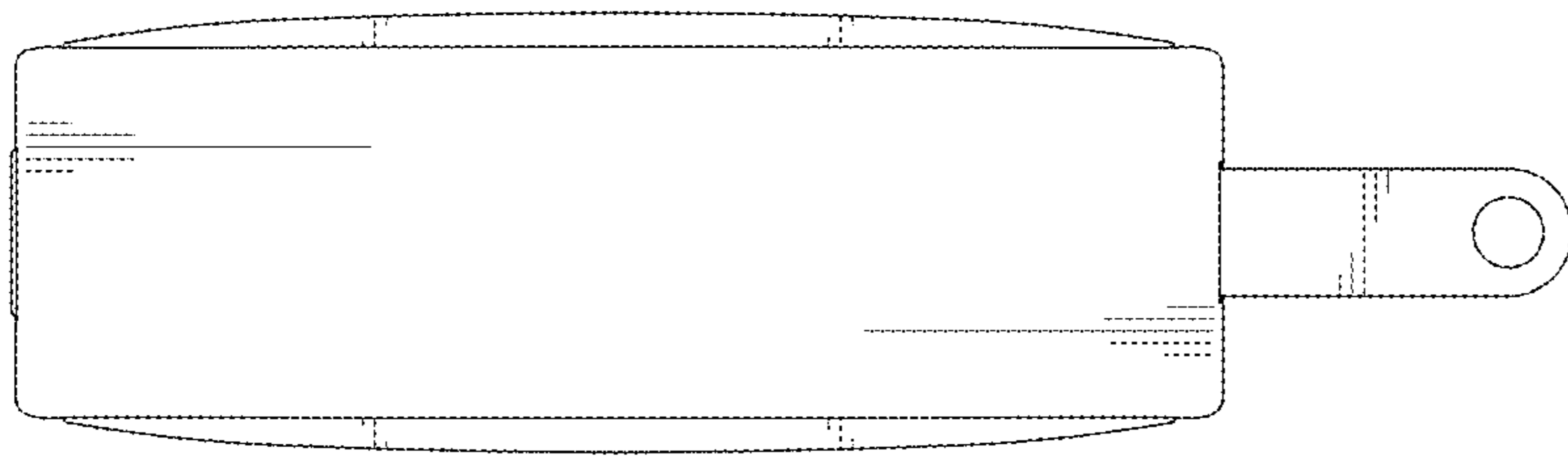


FIG. 6

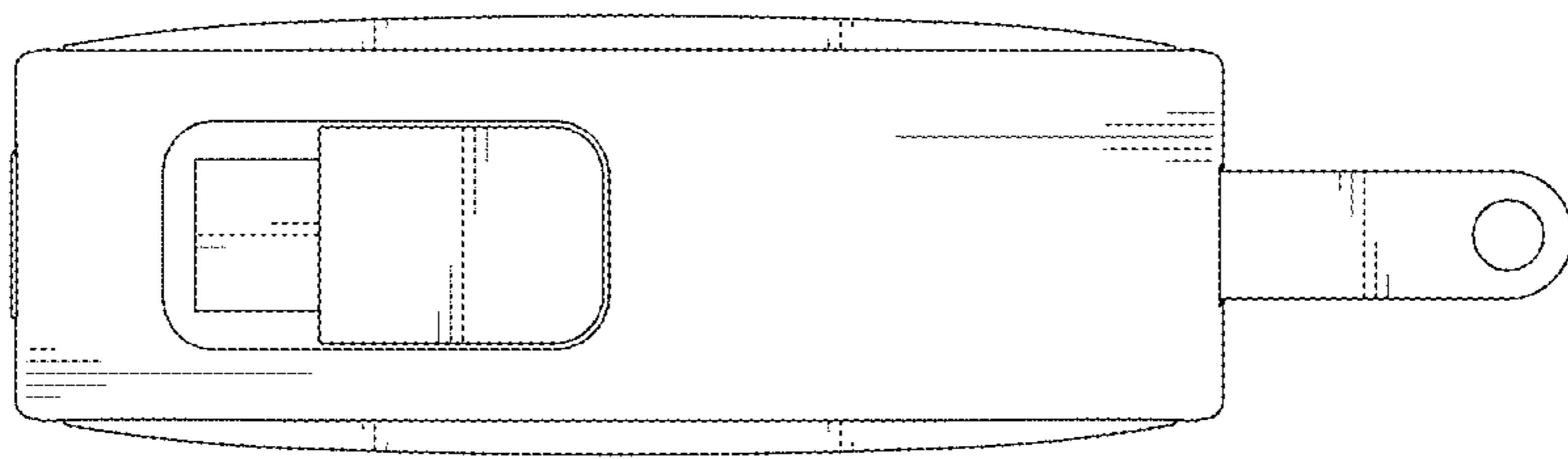


FIG. 7

